



US00D482936S

(12) **United States Design Patent**
Miller et al.

(10) **Patent No.:** **US D482,936 S**
(45) **Date of Patent:** **** Dec. 2, 2003**

(54) **BABY FORMULA DISPENSER**

D421,547 S * 3/2000 Demers D7/510

(75) Inventors: **D. Scott Miller**, Orlando, FL (US);
Brian J. Demers, Orlando, FL (US)

OTHER PUBLICATIONS

Difrax Formula Dispenser; Drievaksdoosje; 1993.

(73) Assignee: **Dart Industries Inc.**, Orlando, FL (US)

* cited by examiner

(**) Term: **14 Years**

Primary Examiner—Terry A. Wallace

(21) Appl. No.: **29/104,452**

(74) *Attorney, Agent, or Firm*—Taylor J. Ross

(22) Filed: **May 5, 1999**

(57) **CLAIM**

The ornamental design for a baby formula dispenser, as shown and described.

(51) **LOC (7) Cl.** **07-01**

(52) **U.S. Cl.** **D7/629**

(58) **Field of Search** D7/510, 511, 538-542,
D7/312, 321, 601, 629, 630; D9/500, 503,
516, 519, 523, 549, 435; 220/375, 675;
222/566

DESCRIPTION

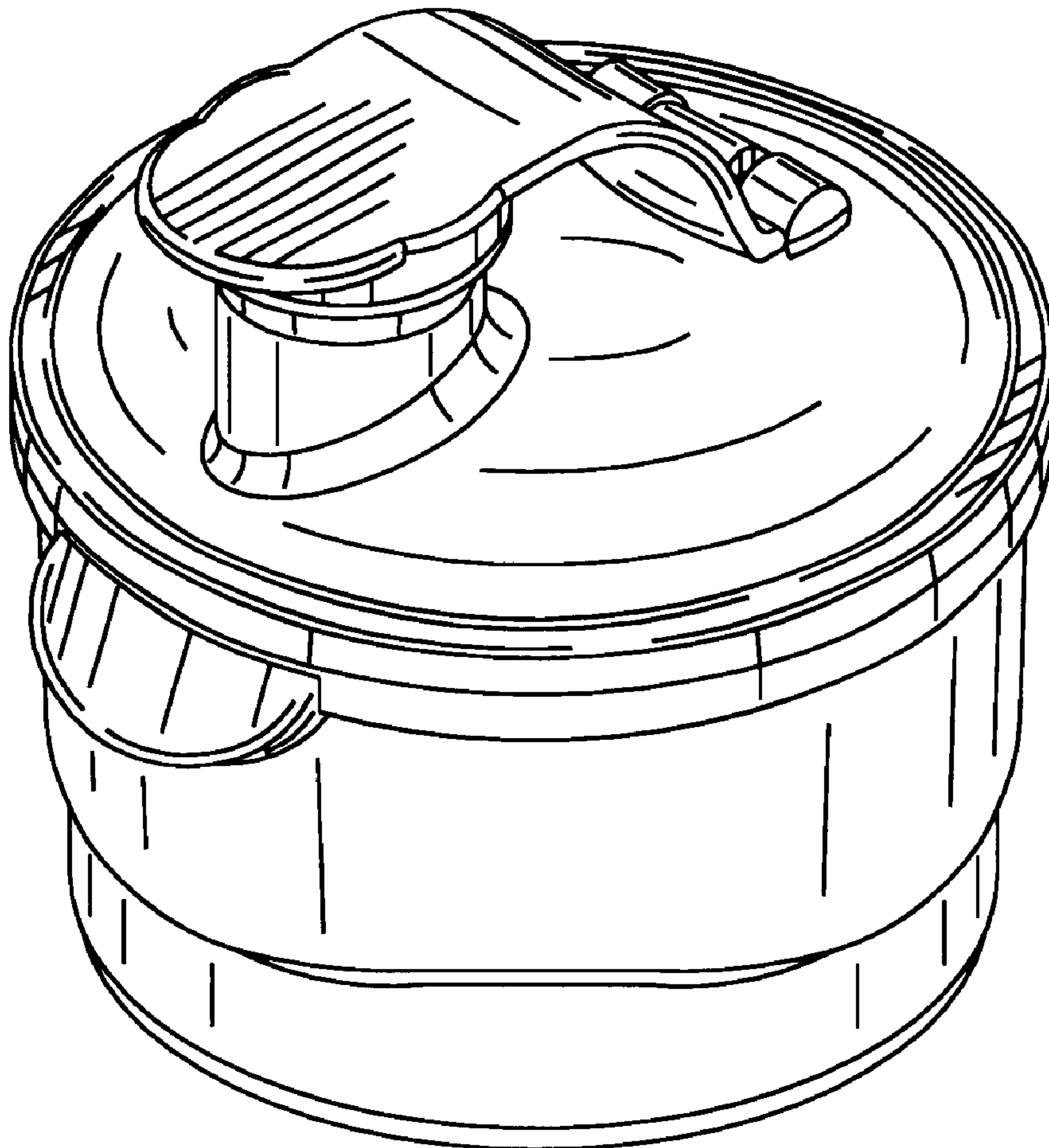
FIG. 1 is a top, side and front perspective view of a baby formula dispenser showing the new design; FIG. 2 is a front elevation view thereof; FIG. 3 is a rear elevation view thereof; FIG. 4 is a right side elevation view thereof; FIG. 5 is a left side elevation view thereof; FIG. 6 is a top plan view thereof; and, FIG. 7 is a bottom plan view thereof.

(56) **References Cited**

U.S. PATENT DOCUMENTS

D180,049 S * 4/1957 Tupper D7/321
D208,935 S * 10/1967 Swett D7/321
D242,526 S * 11/1976 Carre D9/523

1 Claim, 3 Drawing Sheets



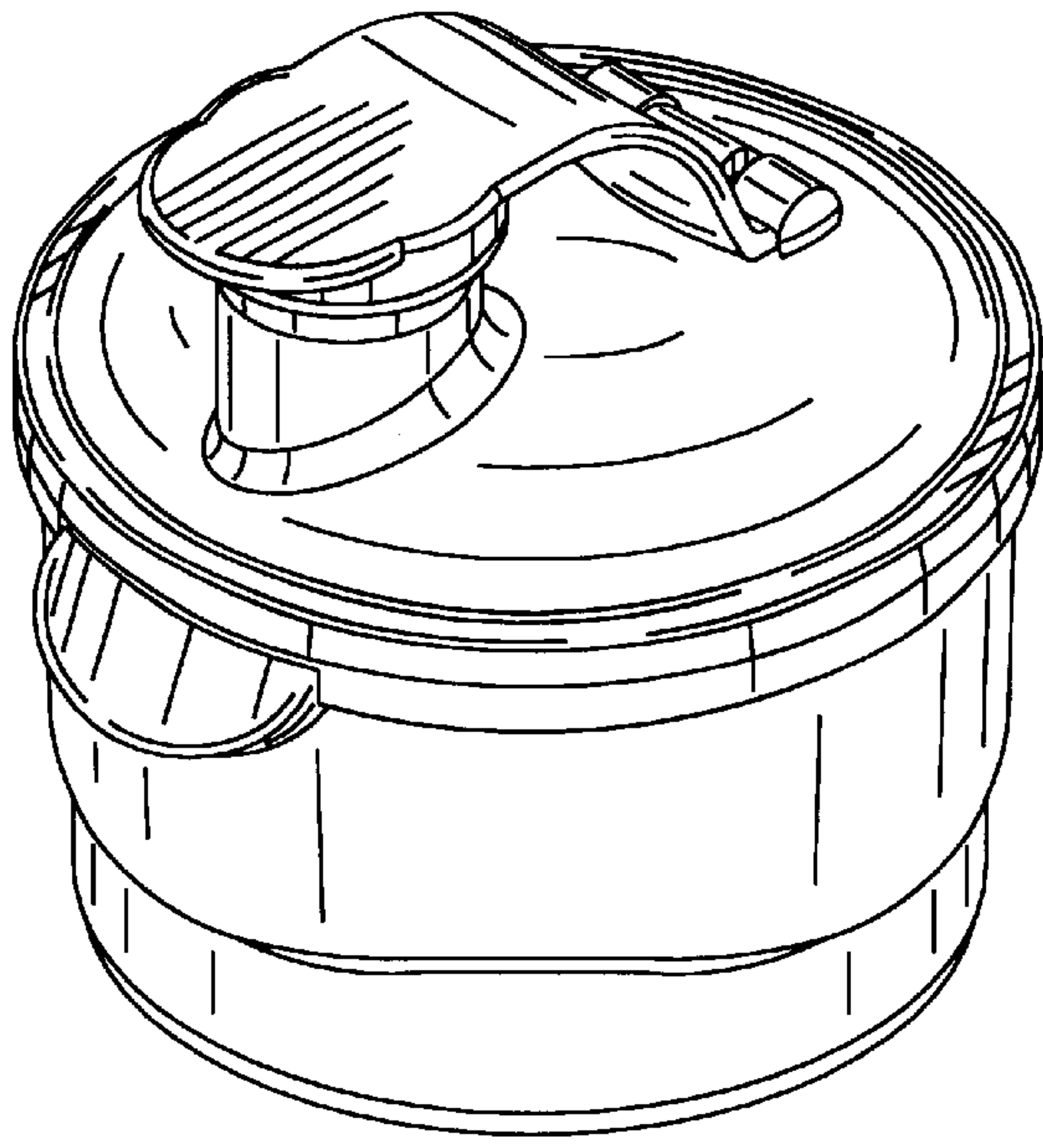


Fig. 1

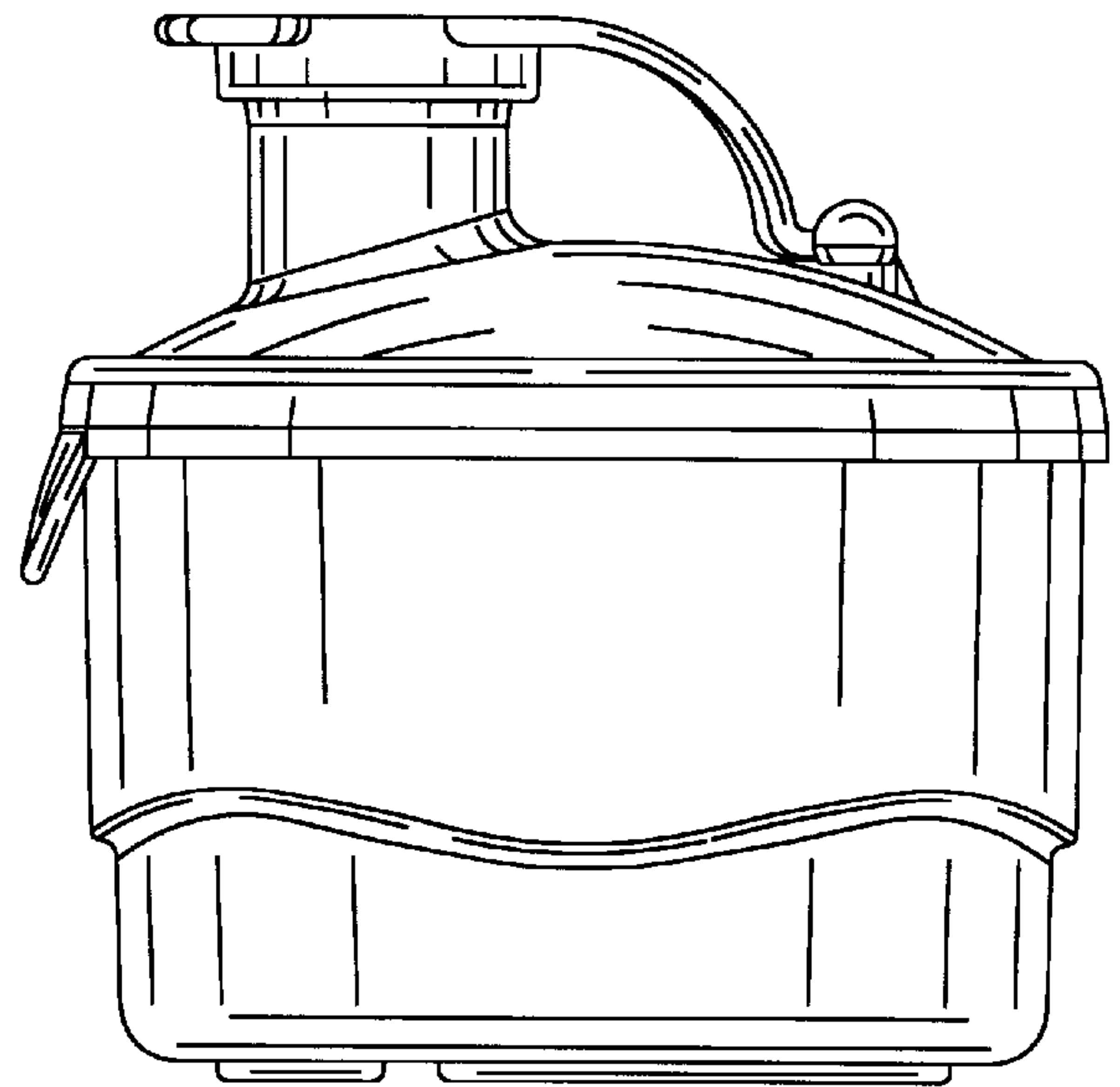


Fig. 2

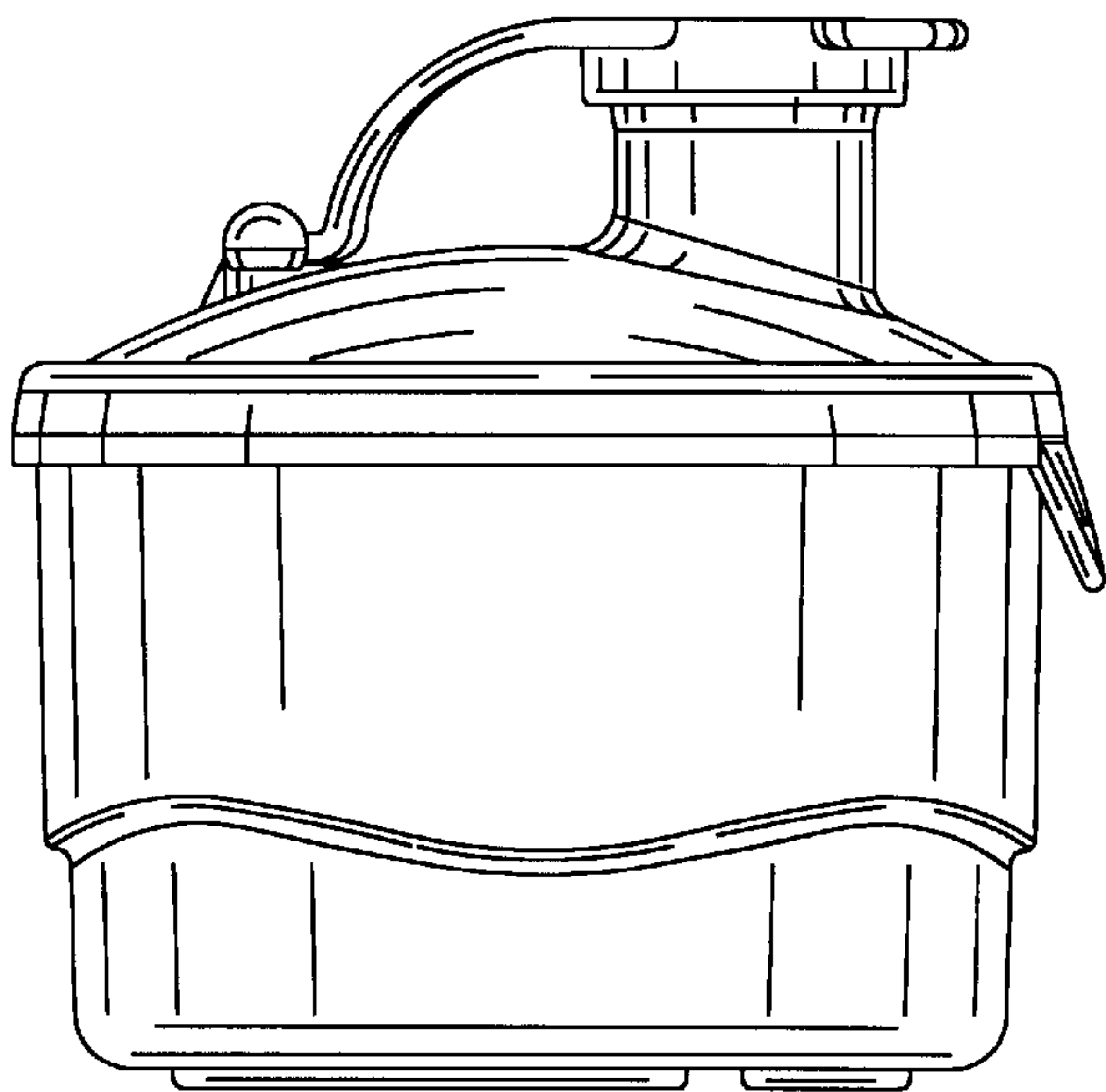


Fig. 3

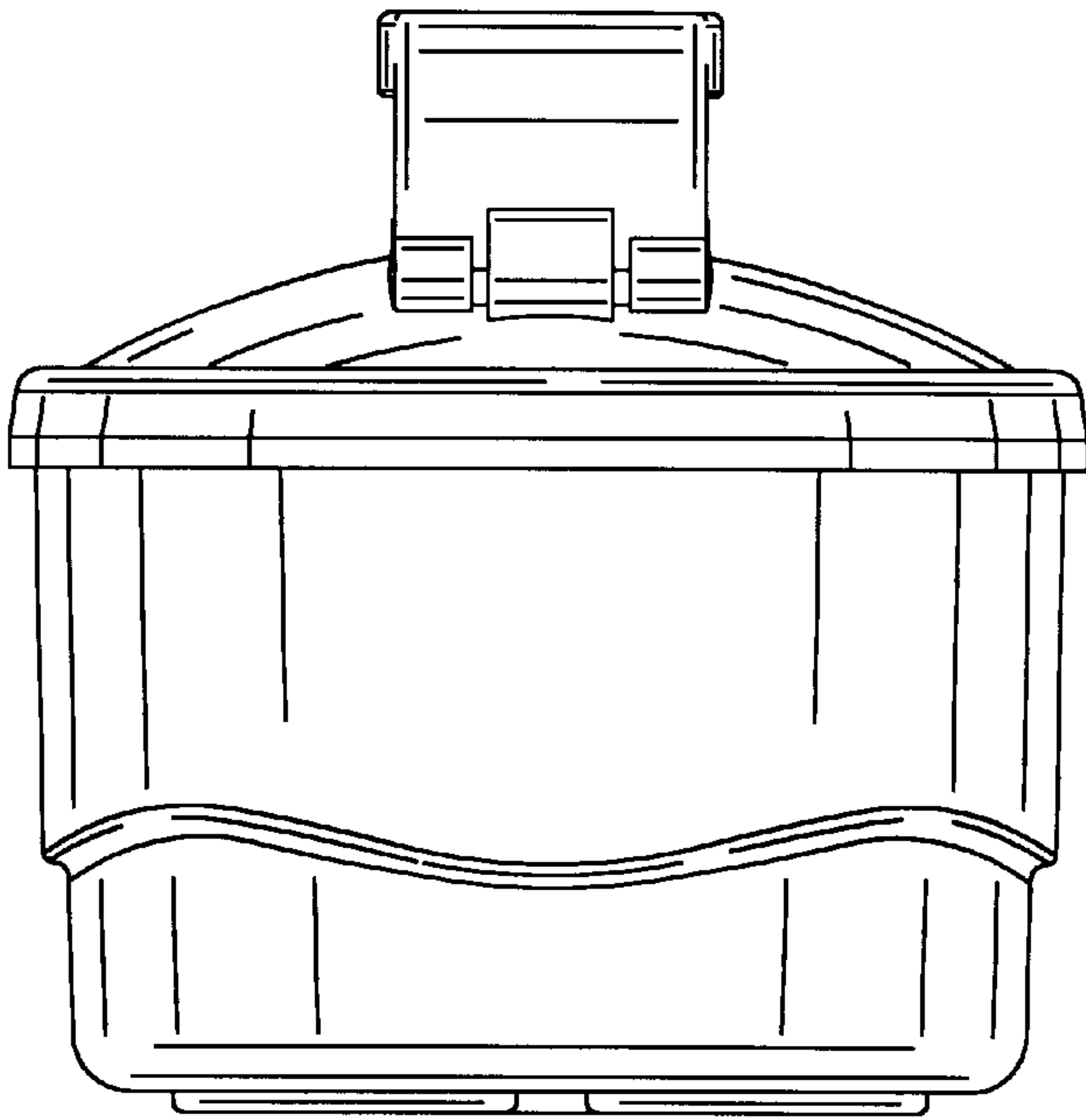


Fig. 4

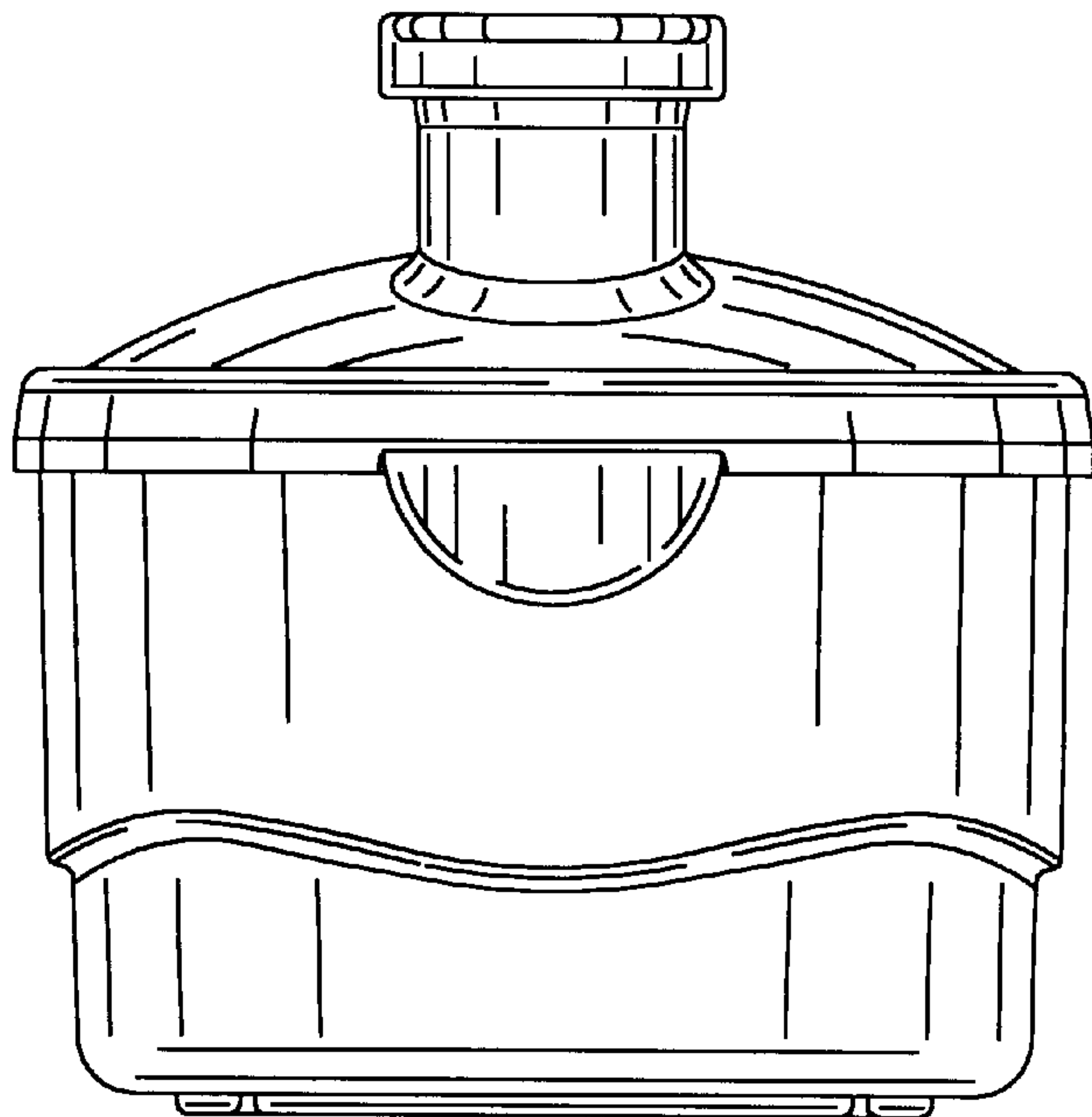


Fig. 5

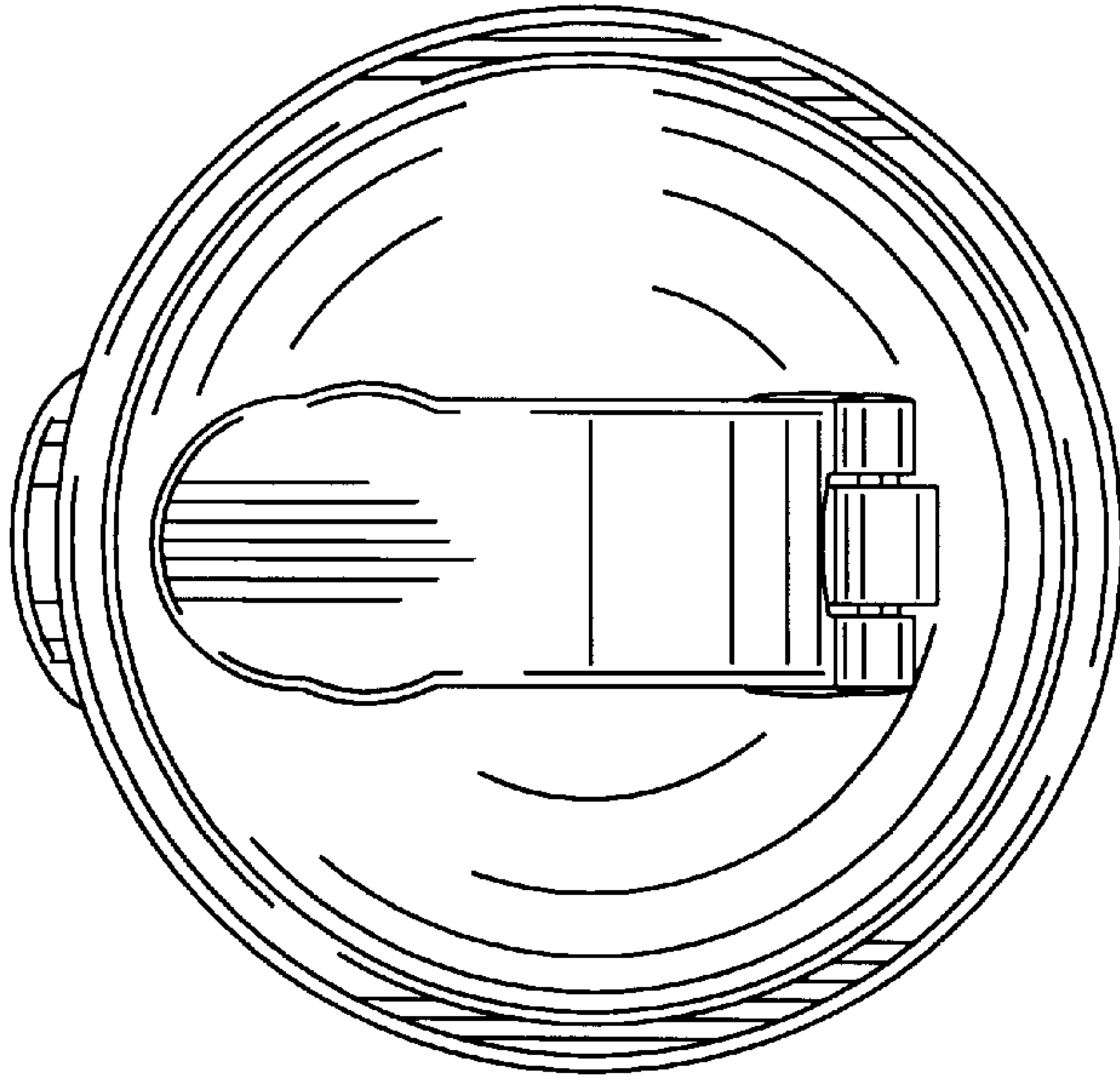


Fig. 6

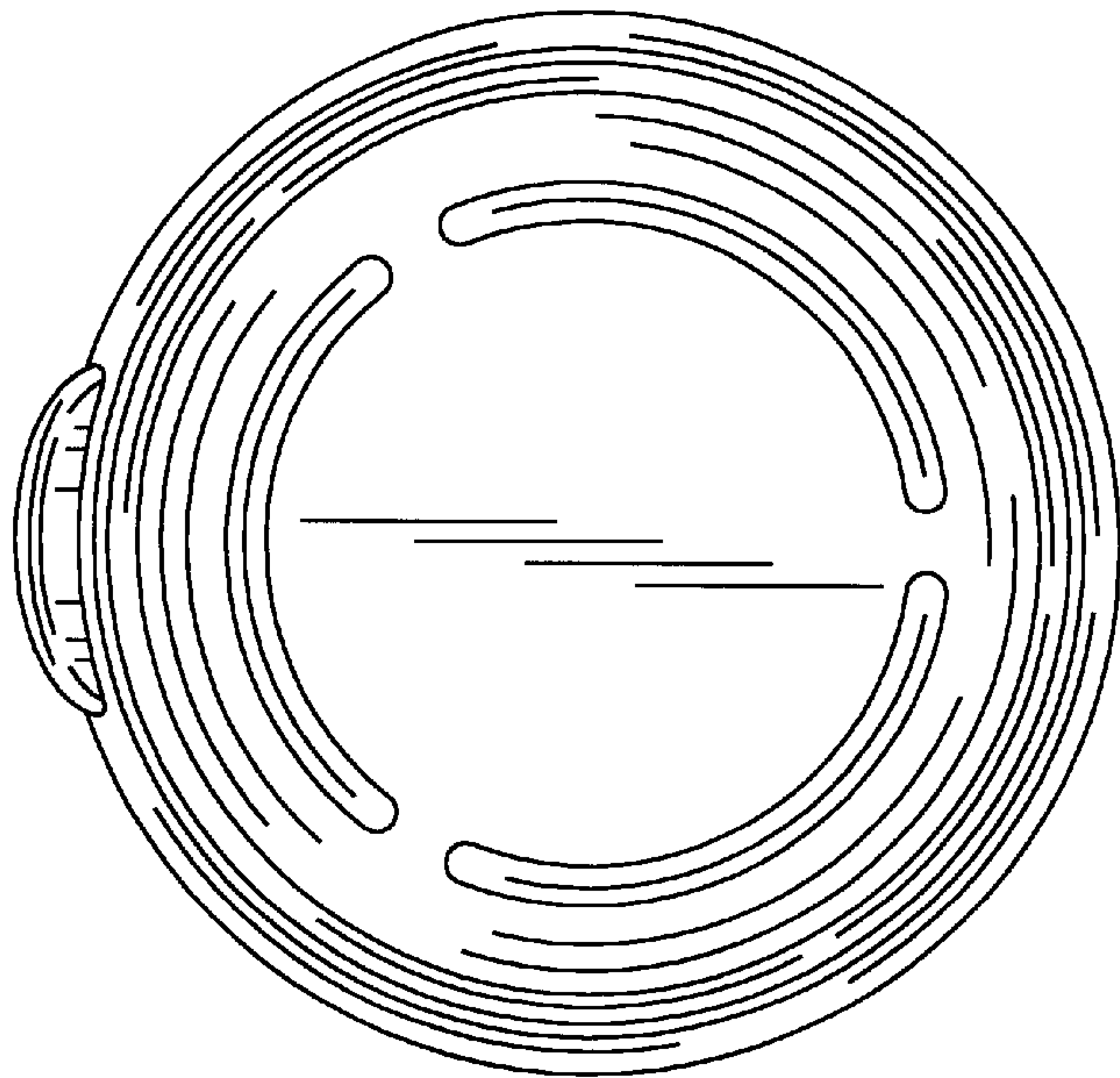


Fig. 7