



US00D482935S

(12) **United States Design Patent**
Yamane

(10) **Patent No.:** **US D482,935 S**

(45) **Date of Patent:** **** Dec. 2, 2003**

(54) **CLOTH BOTTLE COVER WITH A RABBIT DESIGN**

JP 14 1140786 S 3/2002

* cited by examiner

(75) Inventor: **Yusaku Yamane**, Kobe (JP)

Primary Examiner—Terry A. Wallace

(73) Assignee: **Felissimo Corp.**, Kobe (JP)

(74) *Attorney, Agent, or Firm*—Hughes Hubbard & Reed LLP; Ronald Abramson; Sheryl L. Sandridge

(**) Term: **14 Years**

(57) **CLAIM**

(21) Appl. No.: **29/157,395**

I claim the ornamental design for a cloth bottle cover with a rabbit design, as shown and described.

(22) Filed: **Mar. 15, 2002**

(51) **LOC (7) Cl.** **07-06**

(52) **U.S. Cl.** **D7/625**; D2/741; D2/831

(58) **Field of Search** D7/624, 625; D9/444; D2/828, 830–832, 839, 741, 719, 725, 745, 746; 428/7, 35.7, 35.8, 36.1, 36.5

DESCRIPTION

(56) **References Cited**

U.S. PATENT DOCUMENTS

D45,035 S * 12/1913 Van Slyke D2/741
D285,815 S * 9/1986 Finn D2/831
4,928,321 A * 5/1990 Dobson D2/741 X

FIG. 1 shows a front isometric view of one configuration of the rabbit cloth bottle cover according to the invention.

FIG. 2 is a front view of the rabbit cloth bottle cover according to the invention.

FIG. 3 is a back view of a rabbit cloth bottle cover according to the invention.

FIG. 4 is a left side view of a rabbit cloth bottle cover according to the invention.

FIG. 5 is a top view of a rabbit cloth bottle cover according to the invention; and

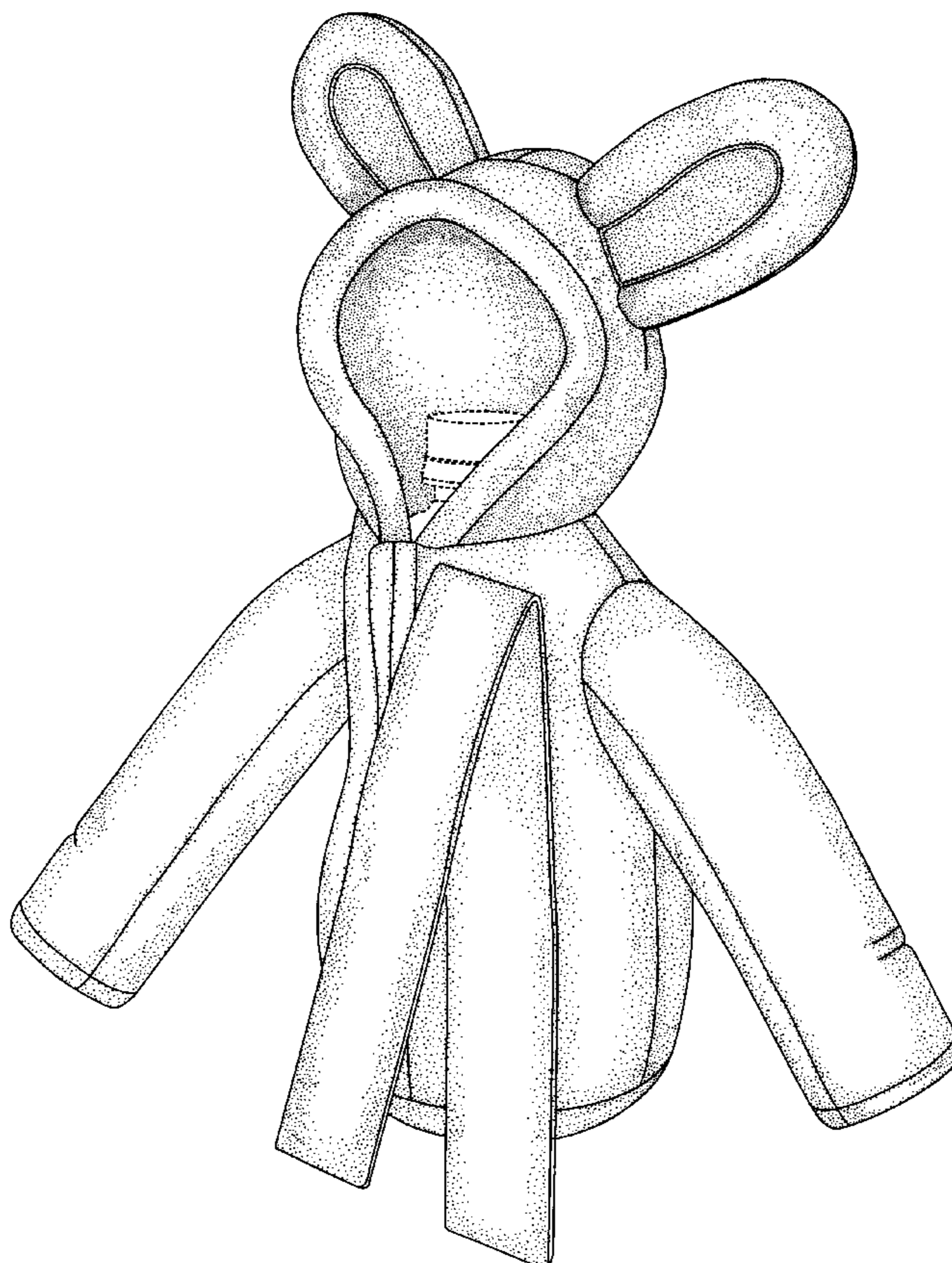
FIG. 6 is a bottom view of a rabbit cloth bottle cover according to the invention.

The broken lines are for illustrative purposes only and form no part of the claimed design.

FOREIGN PATENT DOCUMENTS

JP 13 1131830 S 11/2001
JP 13 1131995 S 11/2001
JP 13 1131996 S 11/2001
JP 13 1131997 S 11/2001

1 Claim, 5 Drawing Sheets



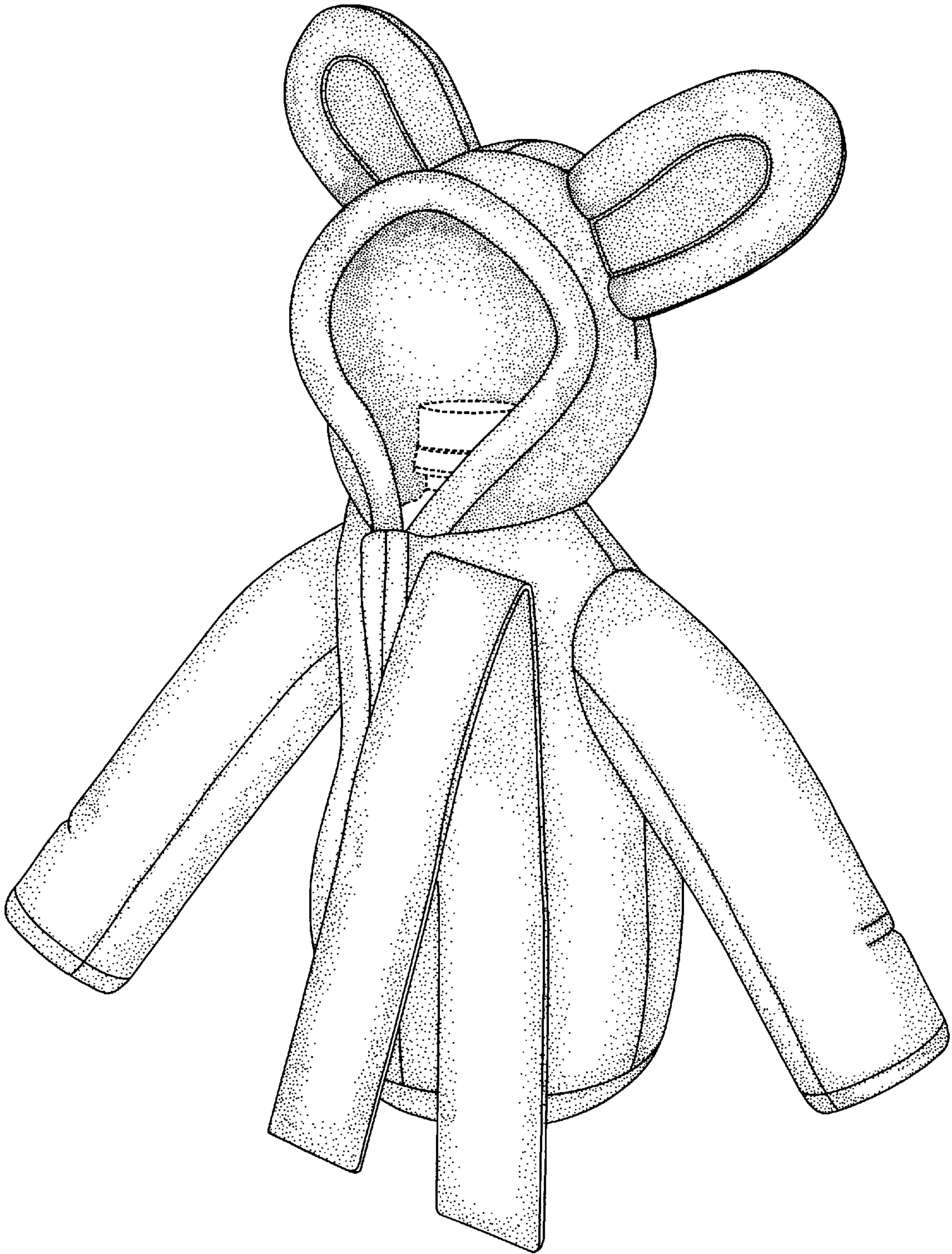


FIG. 1

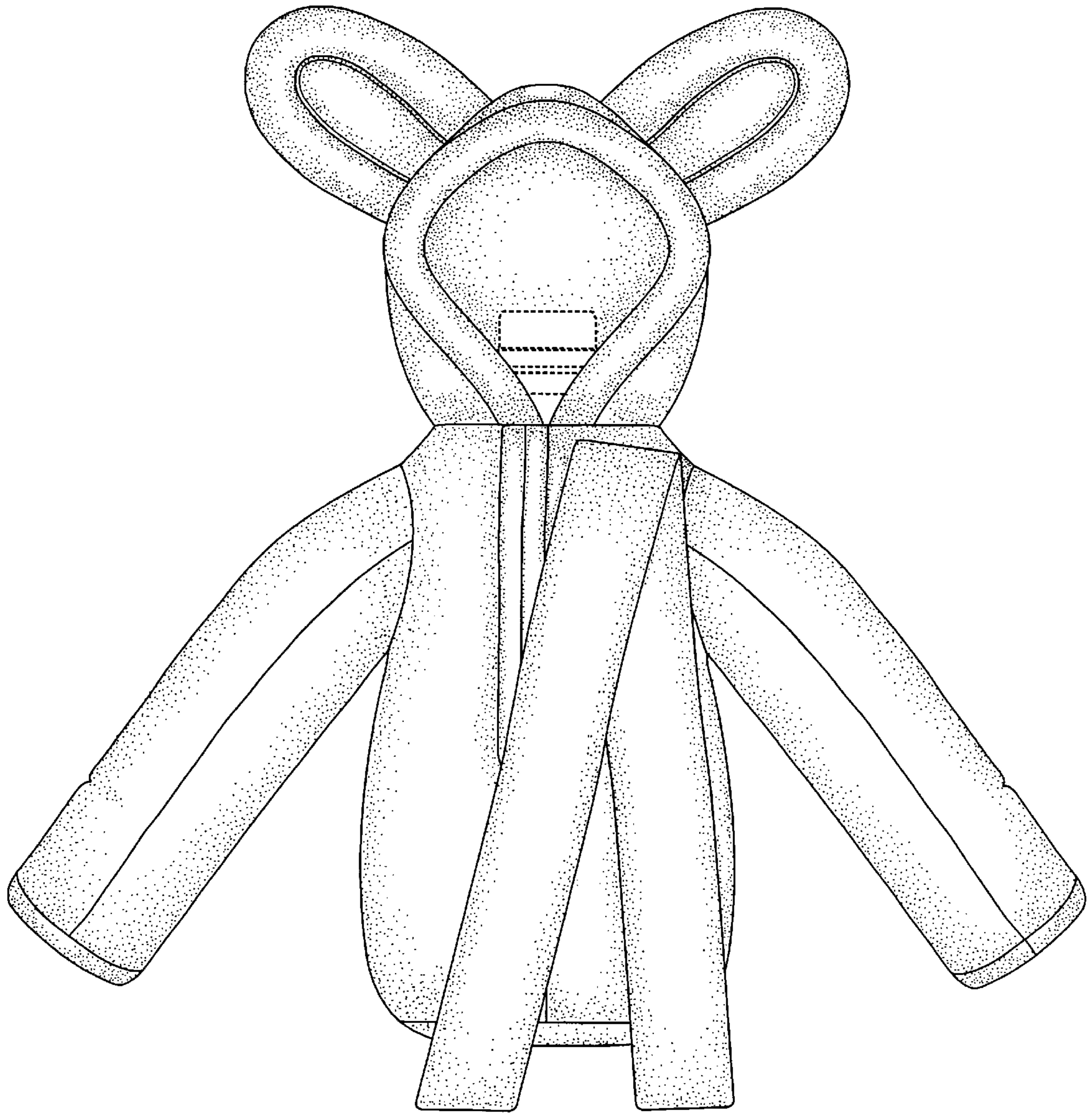


FIG. 2

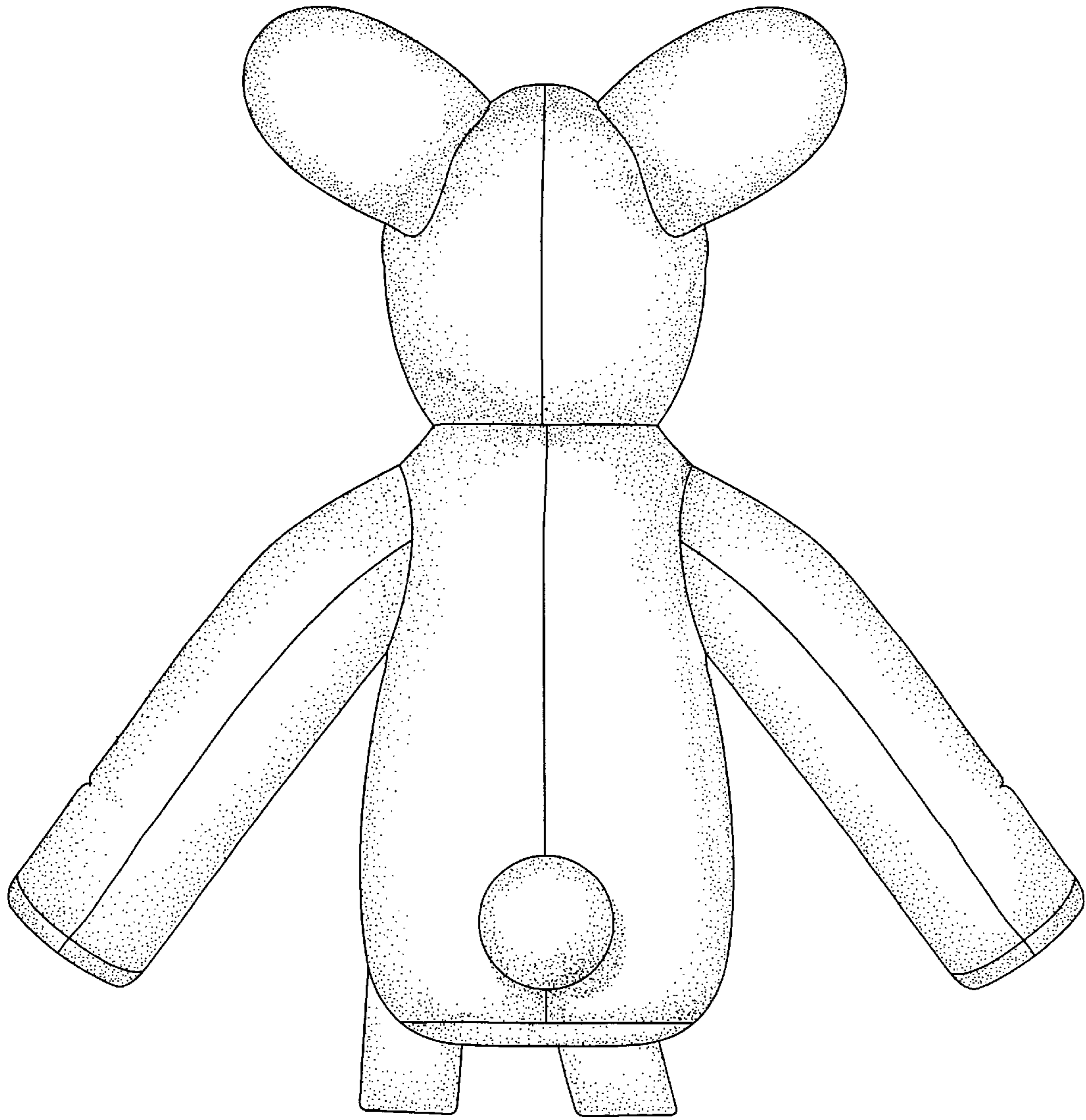


FIG. 3

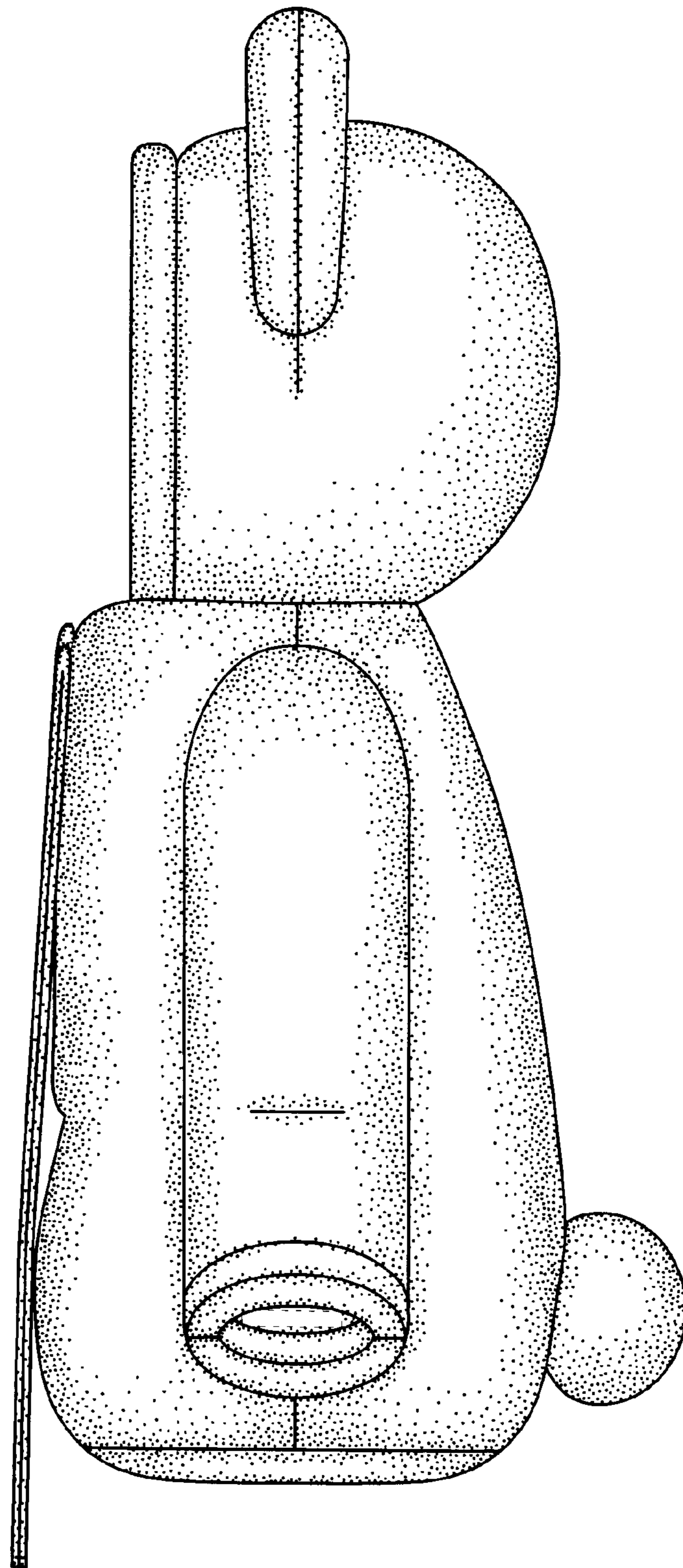


FIG. 4

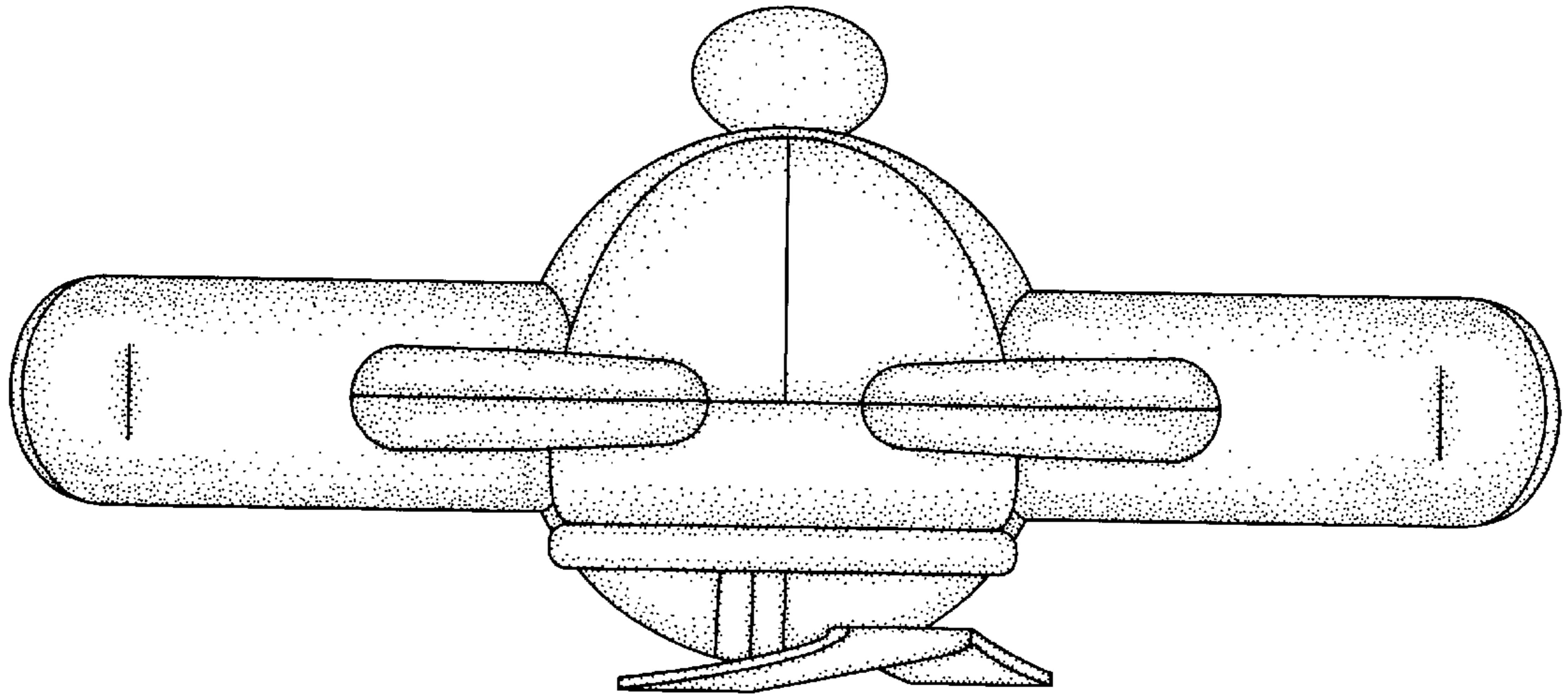


FIG. 5

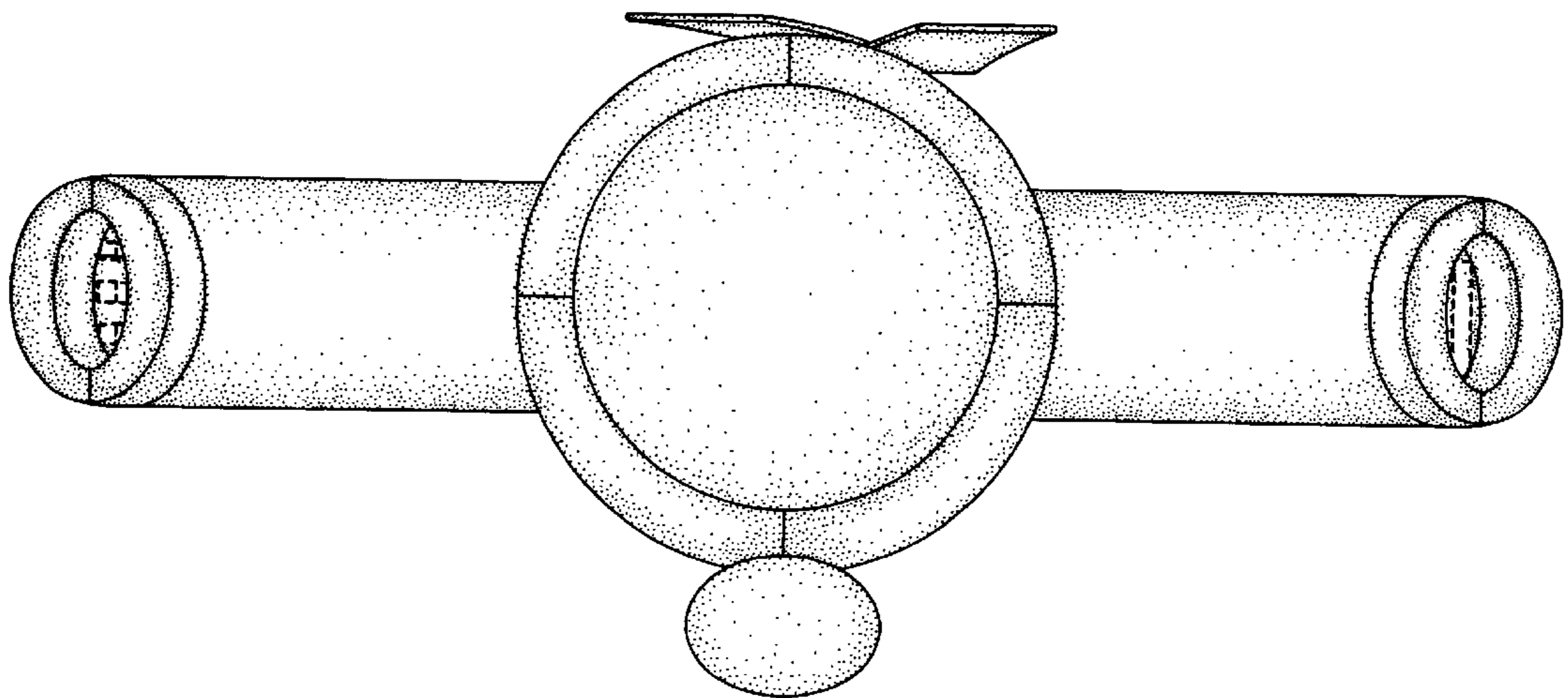


FIG. 6