



US00D482930S

(12) **United States Design Patent**
Lin

(10) **Patent No.:** **US D482,930 S**

(45) **Date of Patent:** **** Dec. 2, 2003**

(54) **HANDLE FOR KITCHEN UTENSIL**

(76) Inventor: **Cheng Tung Lin**, No. 11, Shing Gong Road, Yung Kang, Tainan Hsien (TW)

(**) Term: **14 Years**

(21) Appl. No.: **29/177,175**

(22) Filed: **Mar. 6, 2003**

(51) **LOC (7) Cl.** **07-02**

(52) **U.S. Cl.** **D7/395**

(58) **Field of Search** D7/393, 395, 681-697;
16/110.1, 430, 431, 436; 30/322-328; 294/7,
8; D8/107

(56) **References Cited**

U.S. PATENT DOCUMENTS

D419,041 S * 1/2000 Frank D7/688

OTHER PUBLICATIONS

Sur La Table Catalog, 9/01, p. 32, handle of the skillet, left side of page.*

* cited by examiner

Primary Examiner—Terry A. Wallace

(74) *Attorney, Agent, or Firm*—Bacon & Thomas, PLLC

(57) **CLAIM**

The ornamental design for a handle for kitchen utensil, as shown and described.

DESCRIPTION

FIG. 1 is a perspective view of a handle for kitchen utensil showing my new design;

FIG. 2 is a right side elevational view thereof;

FIG. 3 is a left side elevational view thereof;

FIG. 4 is a front elevational view thereof;

FIG. 5 is a rear elevational view thereof;

FIG. 6 is a top plan view thereof;

FIG. 7 is a bottom plan view thereof;

FIG. 8 is a front elevational view thereof, with the jumbo turner being shown in broken lines for illustrative purpose only and forming no part of the claimed design;

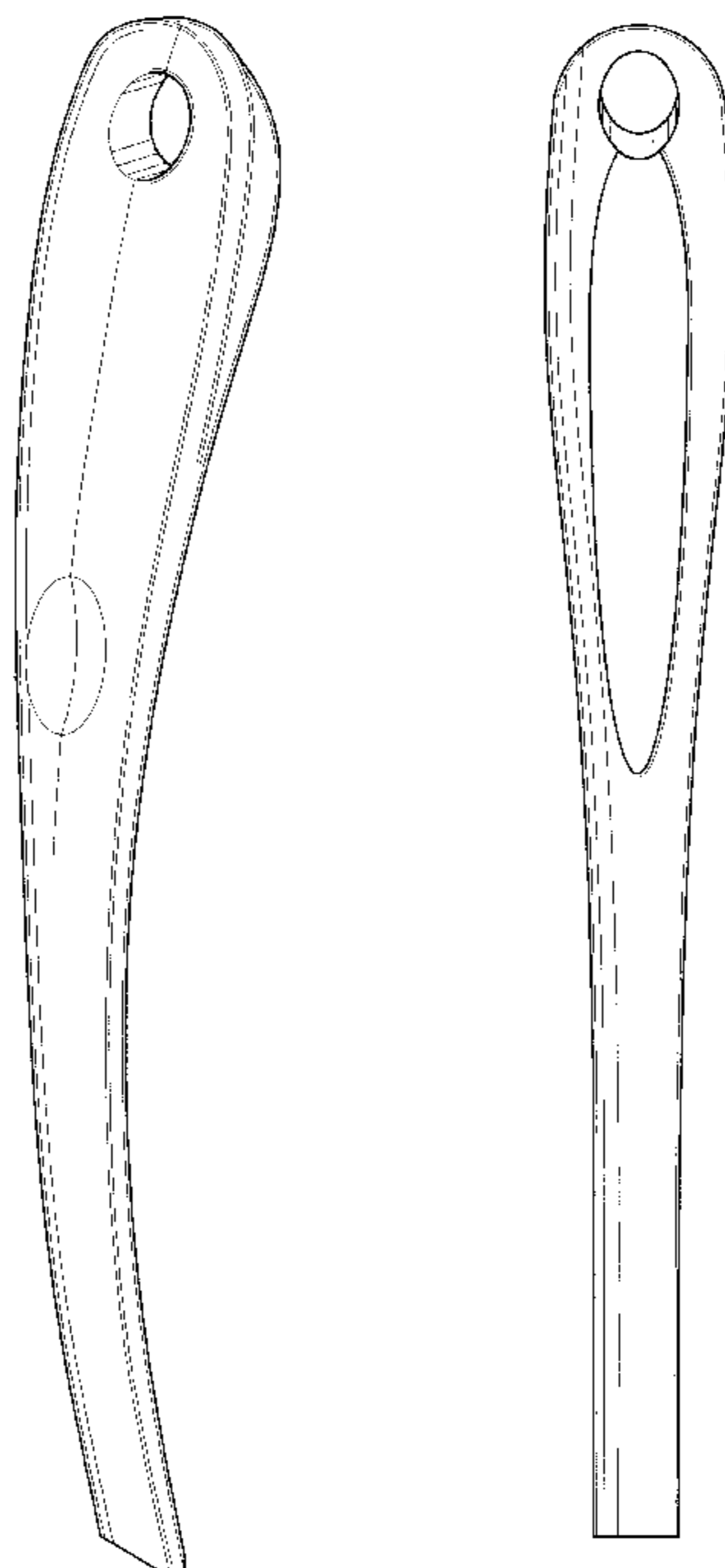
FIG. 9 is a front elevational view thereof, the ladle shown in broken lines for illustrative purpose only and forming no part of the claimed design; and,

FIG. 10 is a front elevational view thereof, the spoon shown in broken lines for illustrative purpose only and forming no part of the claimed design; and,

FIG. 11 is a front elevational view thereof, the slotted spoon shown in broken lines for illustrative purpose only and forming no part of the claimed design; and,

FIG. 12 is a front elevational view thereof, the spaghetti fork shown in broken lines for illustrative purpose only and forming no part of the claimed design.

1 Claim, 7 Drawing Sheets



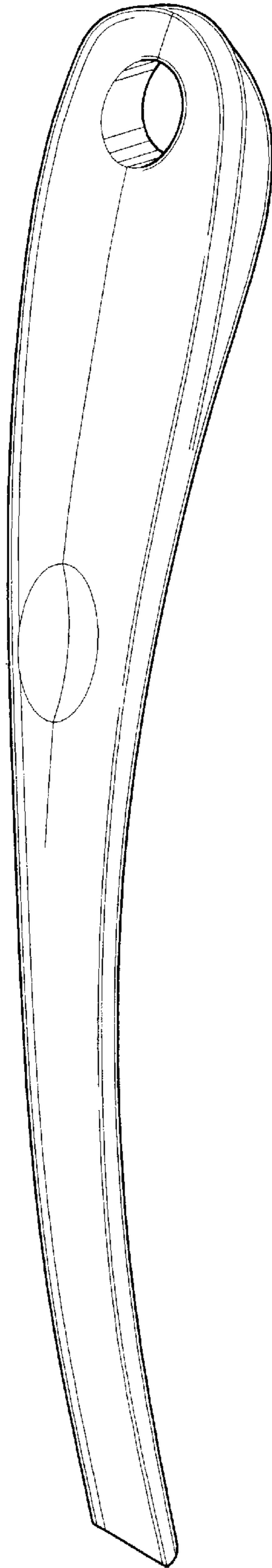


FIG. 1

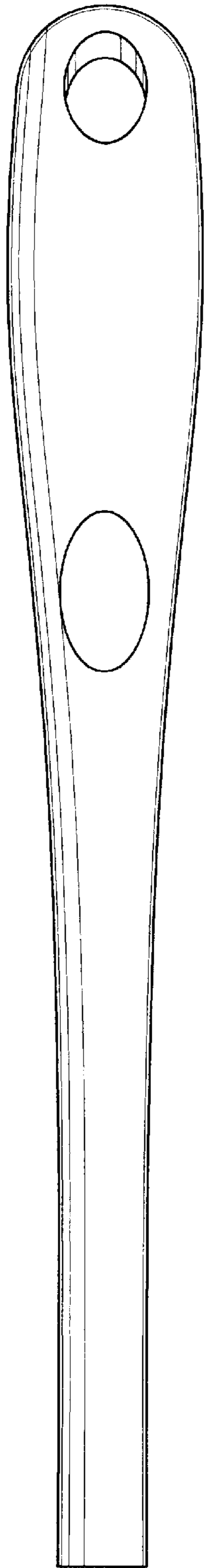


FIG. 2

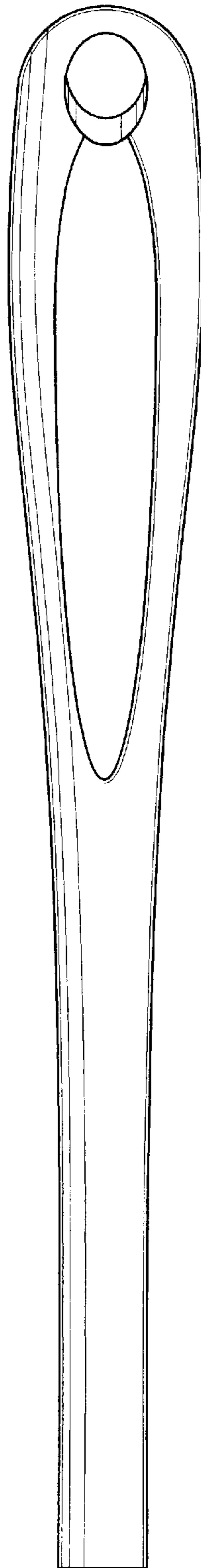


FIG. 3



FIG. 4



FIG. 5

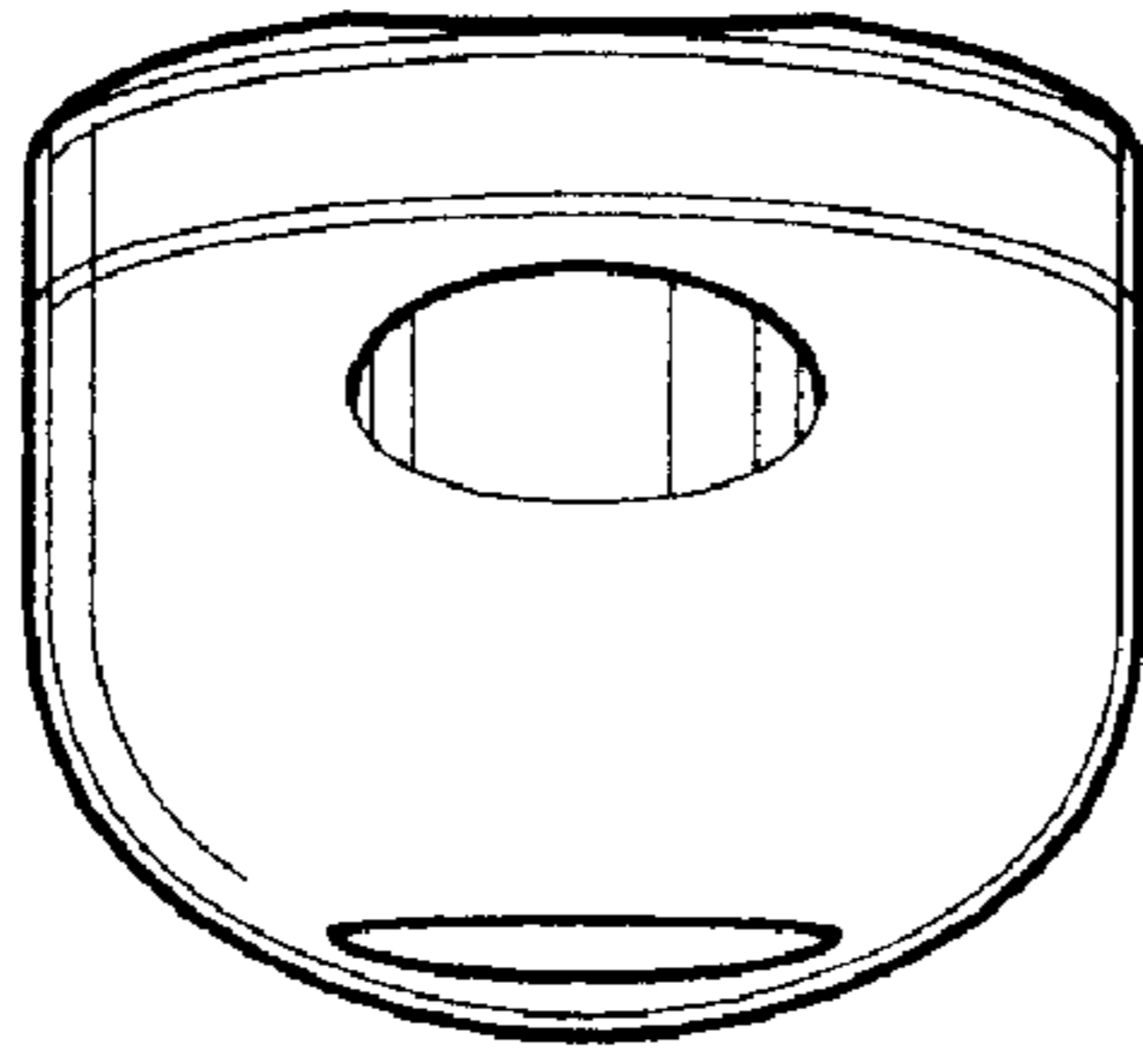


FIG. 6

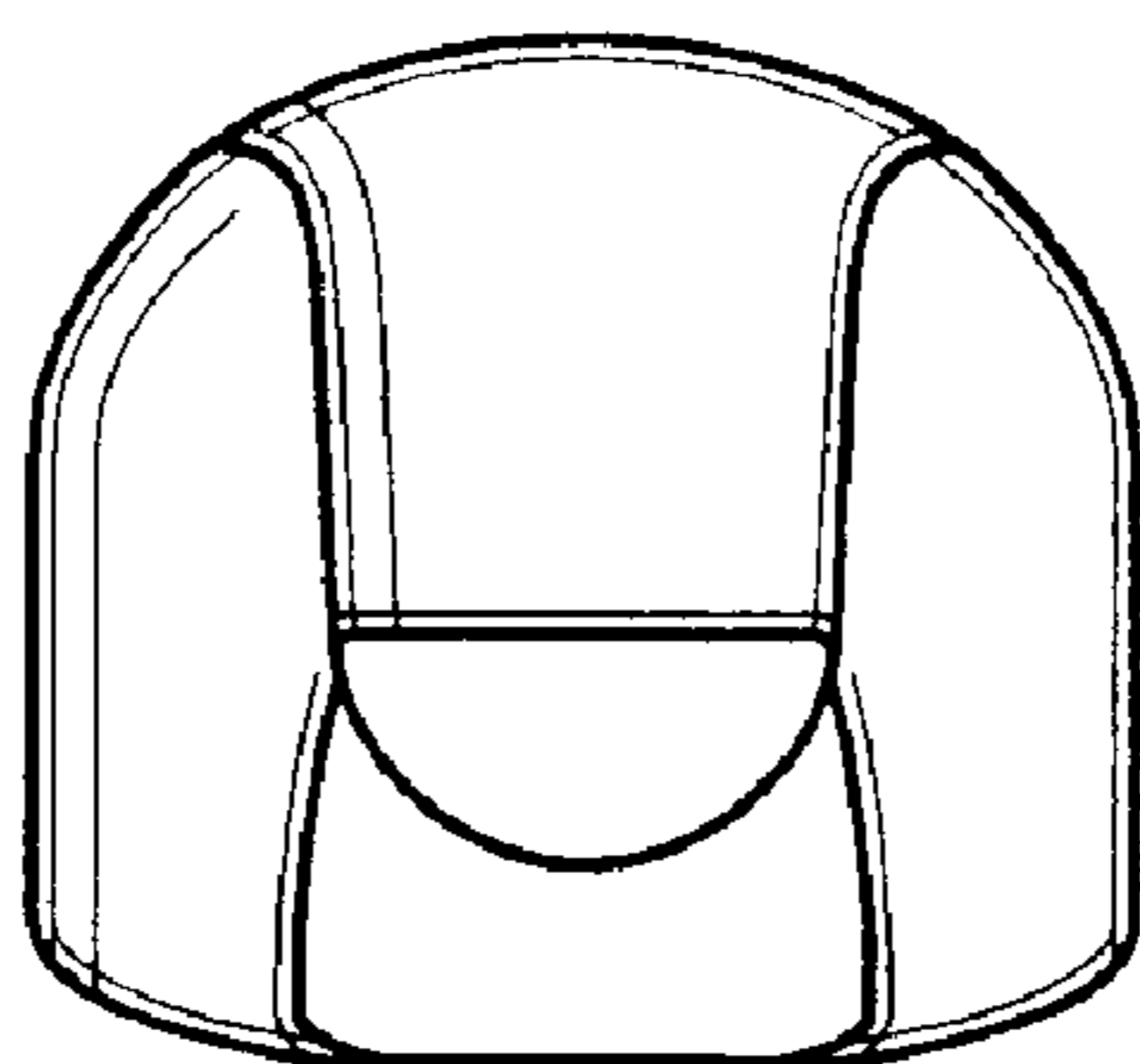


FIG. 7

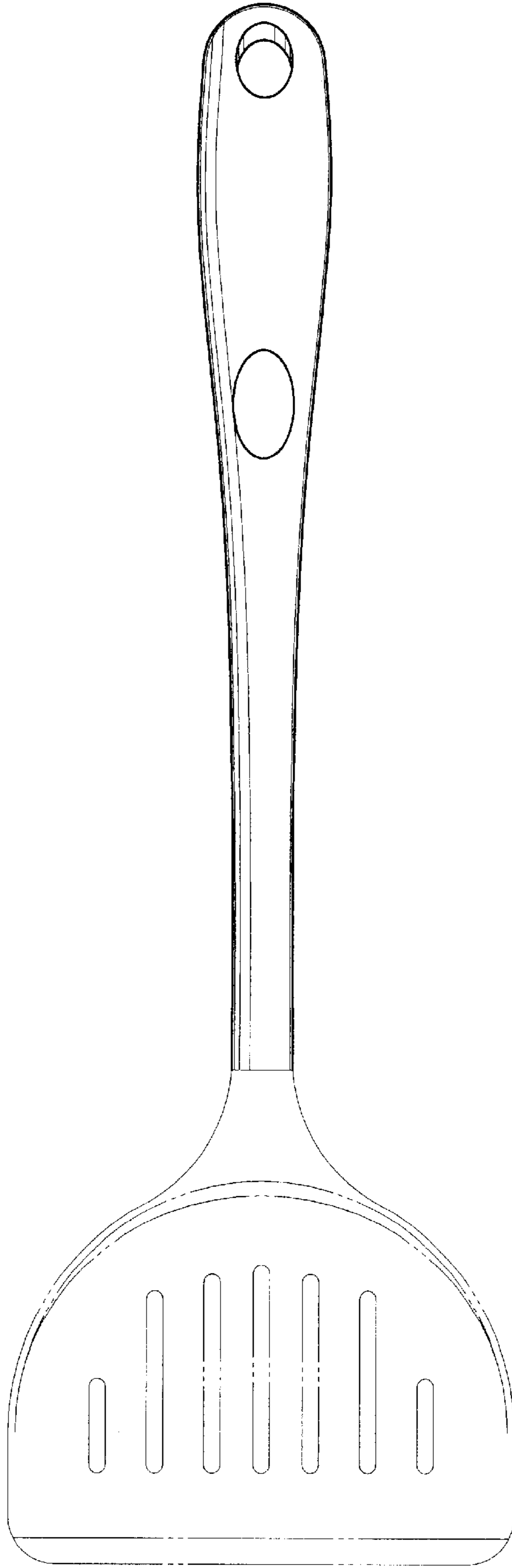


FIG. 8

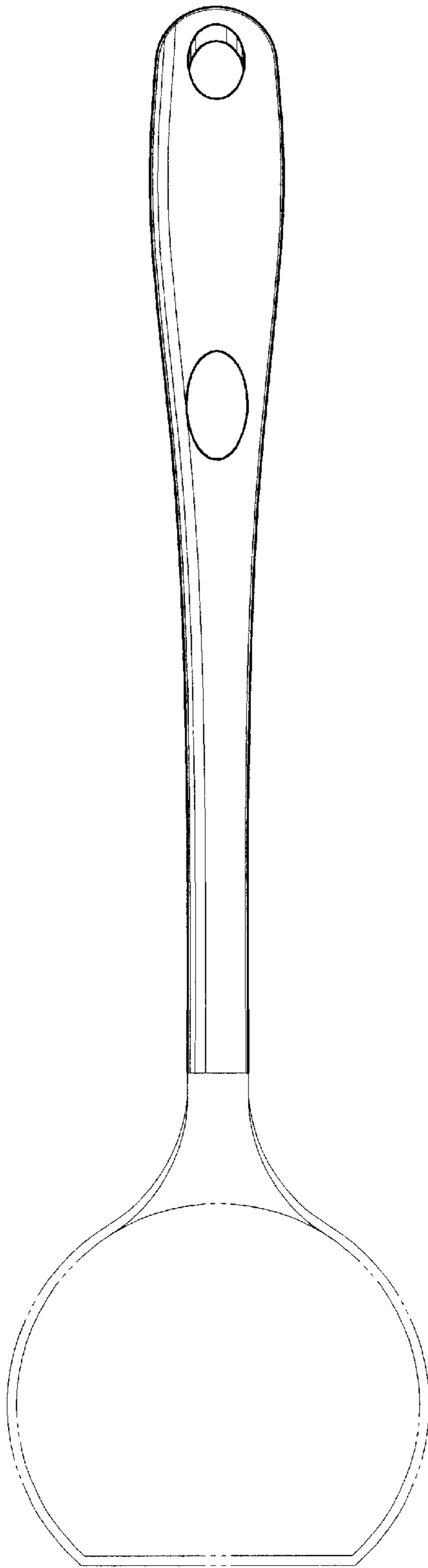


FIG. 9

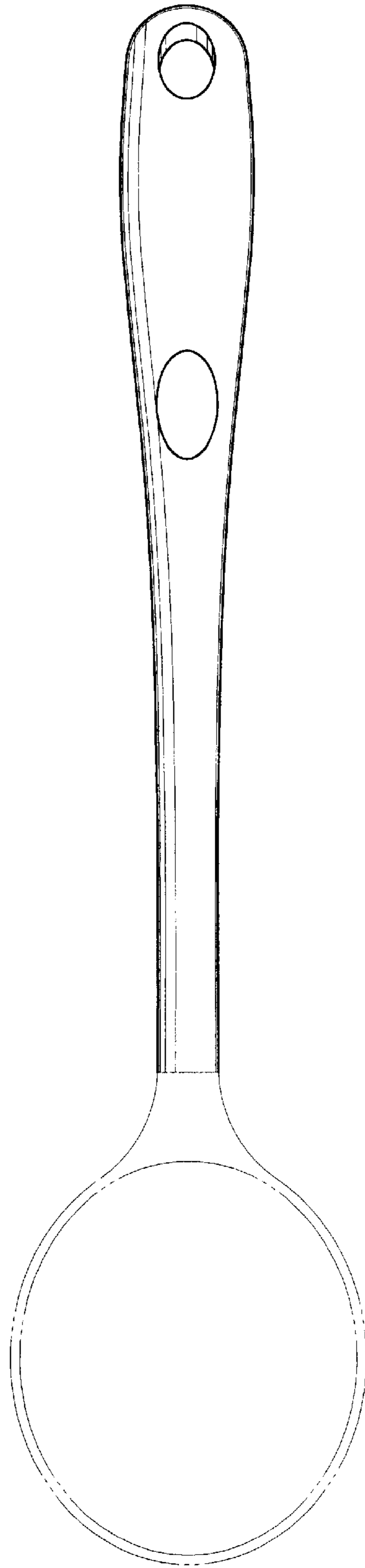


FIG. 10

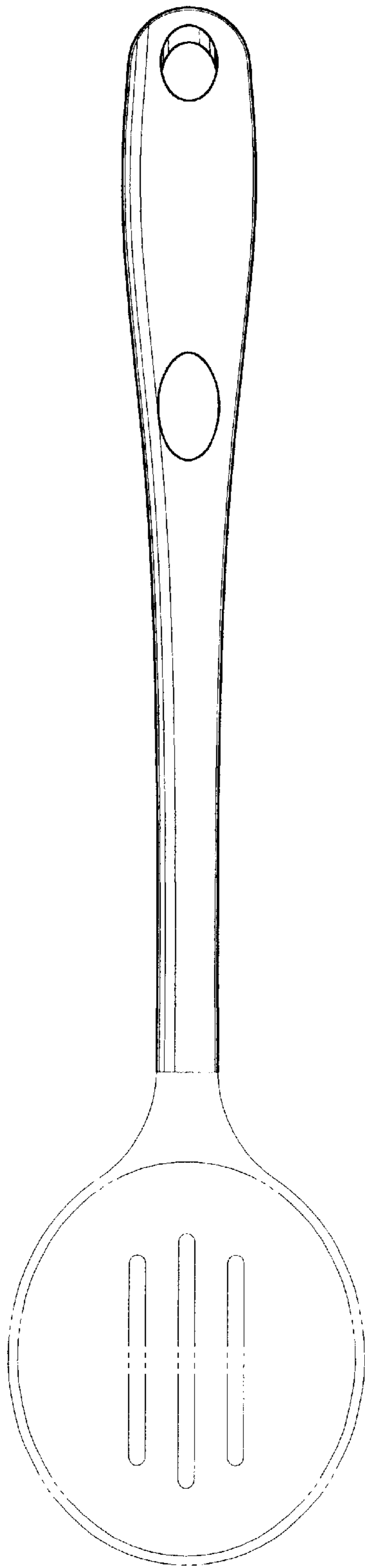


FIG. 11

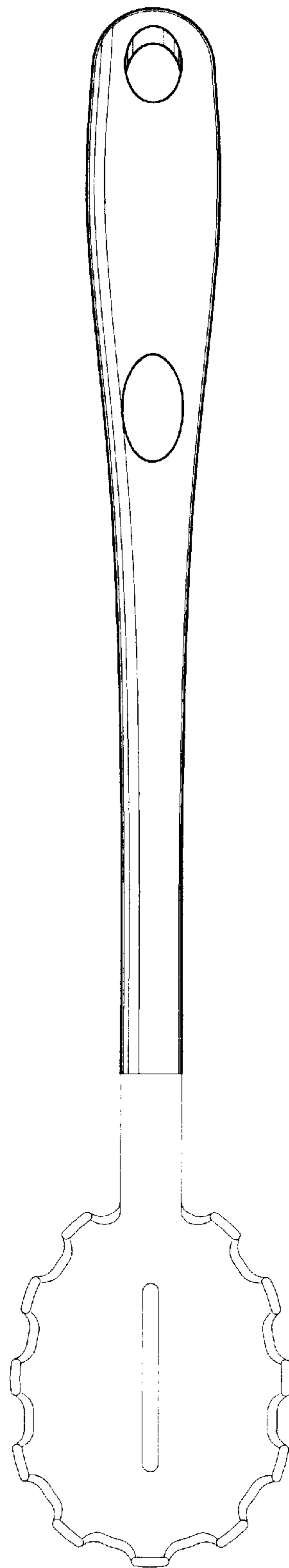


FIG. 12