



US00D482925S

(12) **United States Design Patent**
Yuen

(10) **Patent No.:** **US D482,925 S**

(45) **Date of Patent:** **** Dec. 2, 2003**

(54) **CORDLESS KETTLE**

(75) Inventor: **John Se-Kit Yuen, Kowloon (HK)**

(73) Assignee: **John Manufacturing Limited, Kowloon (HK)**

(**) Term: **14 Years**

(21) Appl. No.: **29/175,750**

(22) Filed: **Feb. 11, 2003**

(30) **Foreign Application Priority Data**

Aug. 12, 2002 (GB) 3006179

(51) **LOC (7) Cl.** **07-01**

(52) **U.S. Cl.** **D7/318; D7/317; D7/322**

(58) **Field of Search** **D7/316, 317, 318, D7/319, 312, 322, 321, 310, 505; 222/465.1, 372; 99/306, 285, 283**

(56) **References Cited**

U.S. PATENT DOCUMENTS

1,560,741	A	*	11/1925	Topping	99/306
1,700,529	A	*	1/1929	Hempstead	99/285
D86,671	S	*	4/1932	Guild	D7/310
D93,854	S	*	11/1934	Schuelke	D7/505
D107,044	S	*	11/1937	Geffner	D7/310
D157,428	S	*	2/1950	Richards	D7/322
D389,369	S	*	1/1998	Hippen	D7/319
D396,378	S	*	7/1998	Hensel	D7/319
D399,090	S	*	10/1998	Green	D7/319

D427,478	S	*	7/2000	Littmann et al.	D7/318
D439,466	S	*	3/2001	Bouhuys	D7/319
D439,791	S	*	4/2001	Vignao'	D7/322
D442,418	S	*	5/2001	Hsu	D7/319
D445,628	S	*	7/2001	McGroary	D7/318
D450,522	S	*	11/2001	Chen	D7/319
D454,024	S	*	3/2002	Kling	D7/318
D455,314	S	*	4/2002	Choi	D7/319
D463,706	S	*	10/2002	Lecerf	D7/317
D463,947	S	*	10/2002	Choi	D7/319
D472,755	S	*	4/2003	Su	D7/309
D475,233	S	*	6/2003	De Visser	D7/317

* cited by examiner

Primary Examiner—M. N. Pandozzi

(74) *Attorney, Agent, or Firm*—Mattingly, Stanger & Malur, P.C.

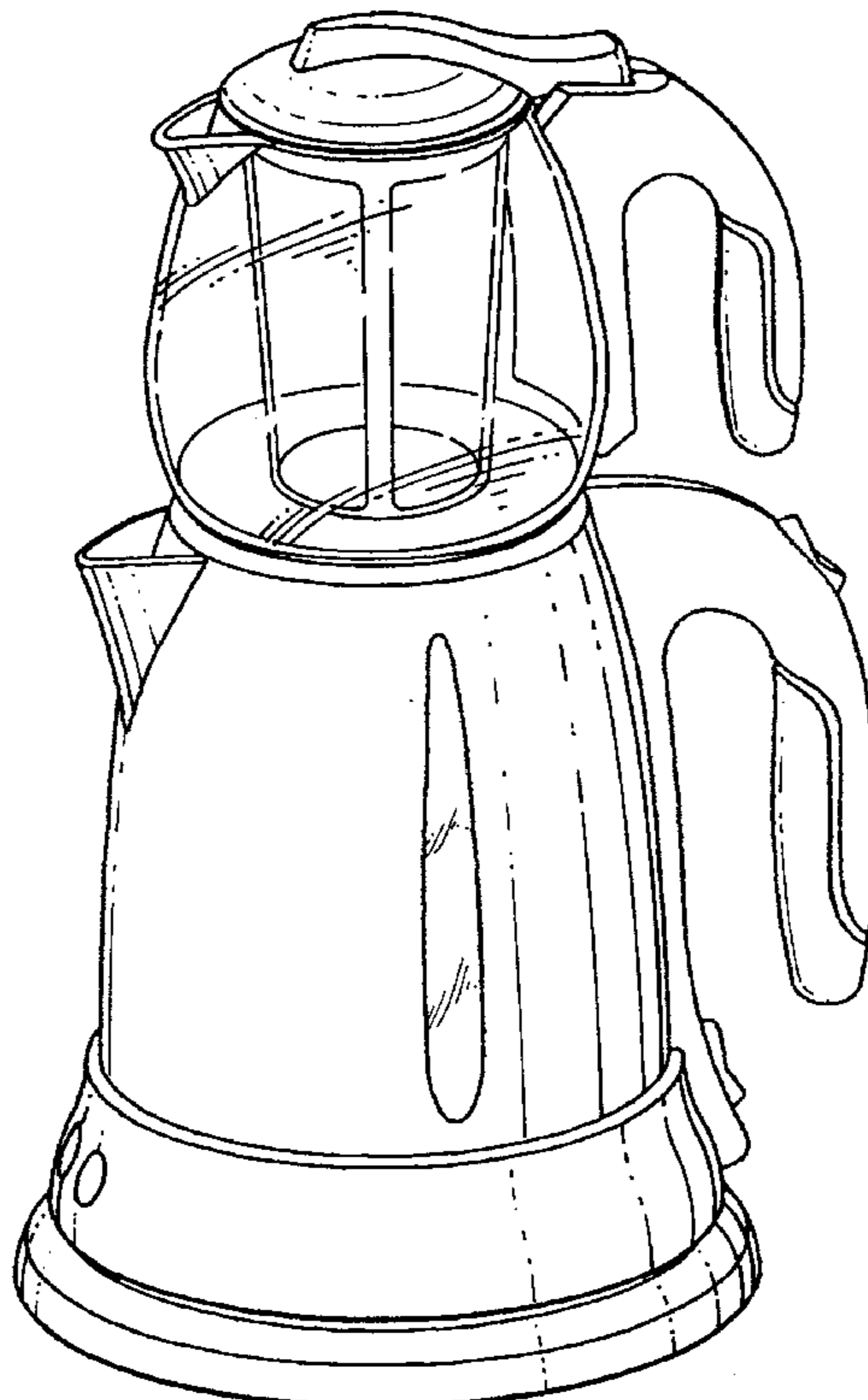
(57) **CLAIM**

The ornamental design for a “cordless kettle”, as shown and described.

DESCRIPTION

FIG. 1 is a perspective view of a cordless kettle showing my new design;
FIG. 2 is a front view thereof;
FIG. 3 is a rear view thereof;
FIG. 4 is a top view thereof;
FIG. 5 is a bottom view thereof;
FIG. 6 is a left side view thereof; and,
FIG. 7 is a right side view thereof.

1 Claim, 3 Drawing Sheets



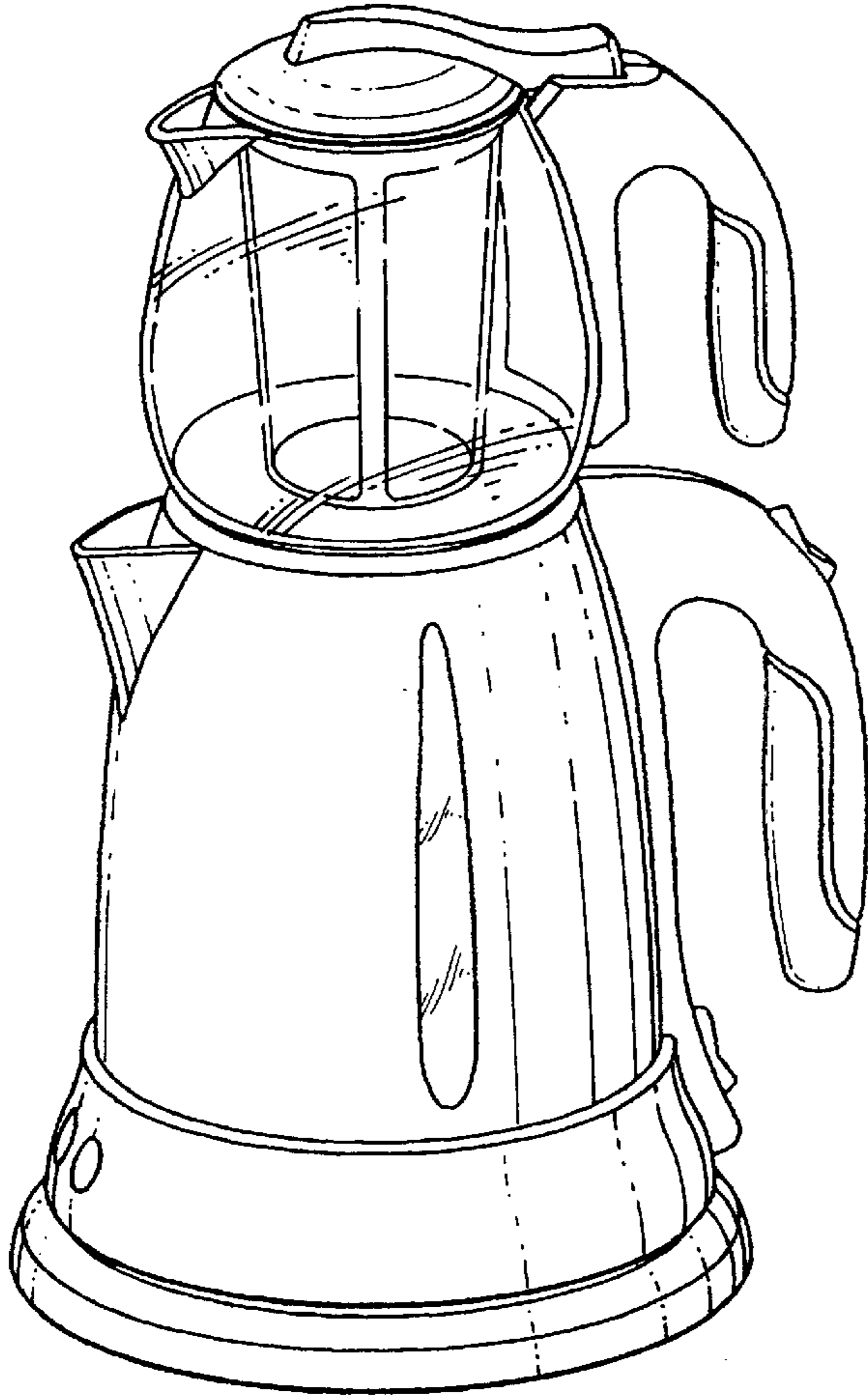


FIG. 1

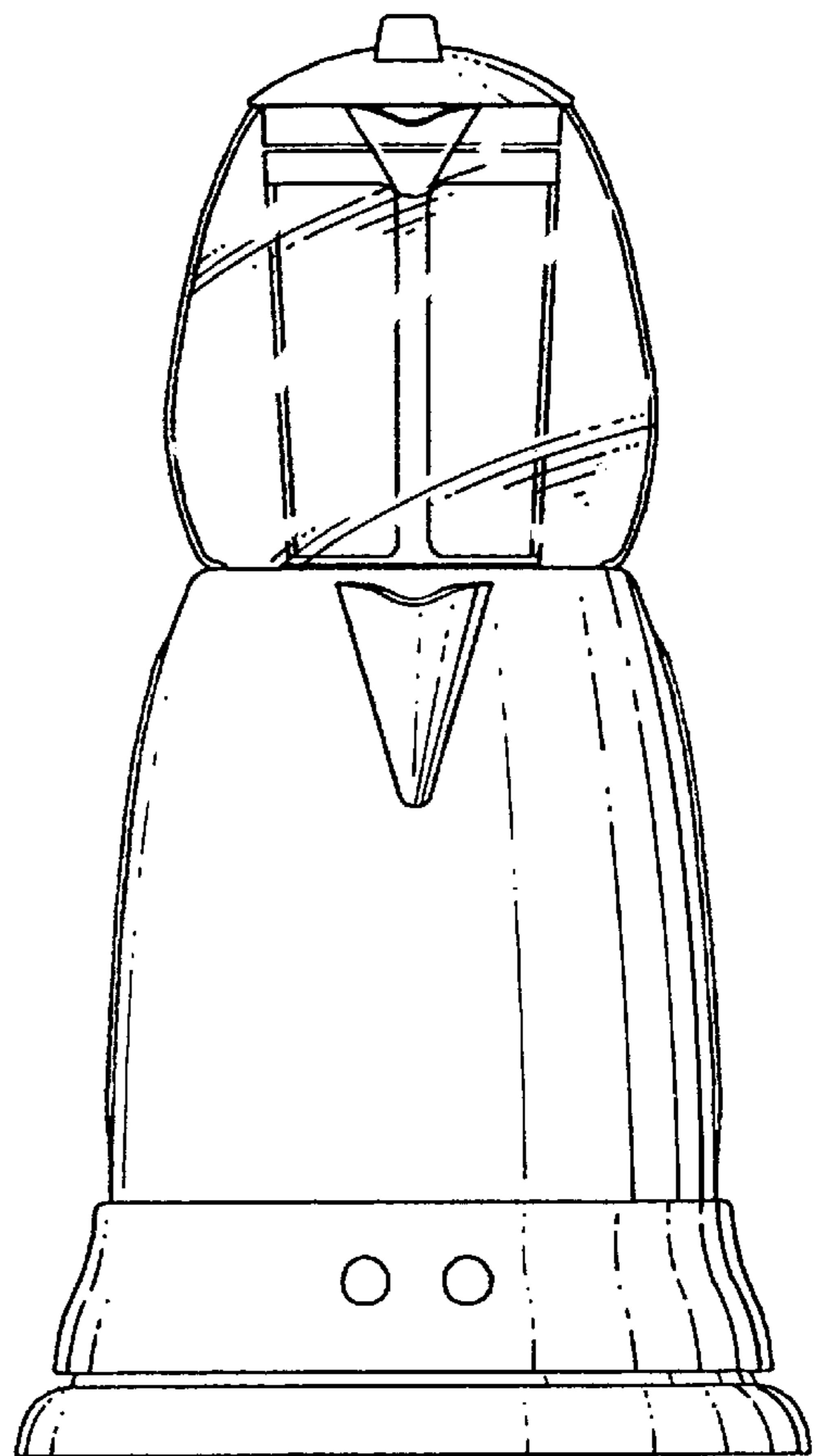


FIG. 2

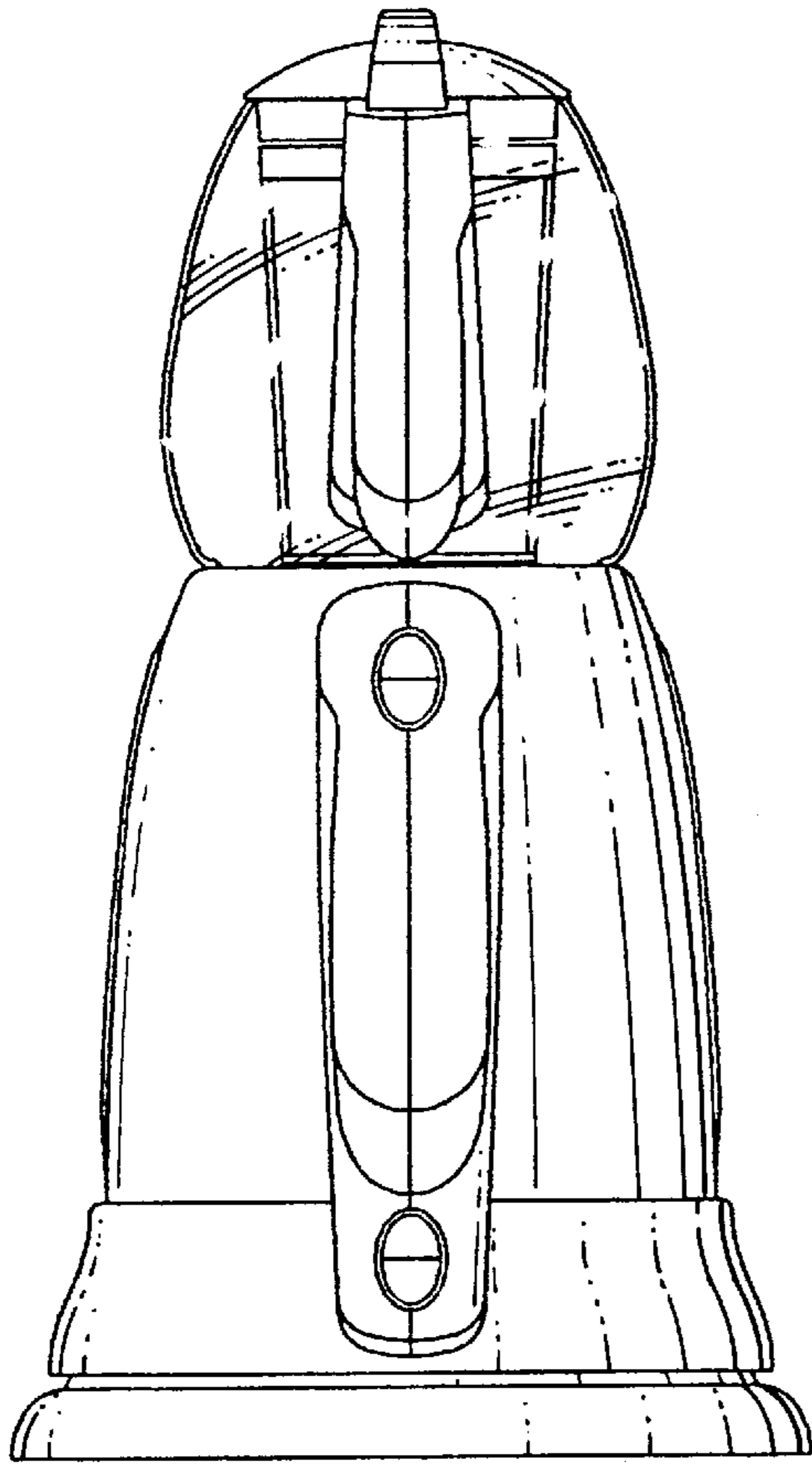


FIG. 3

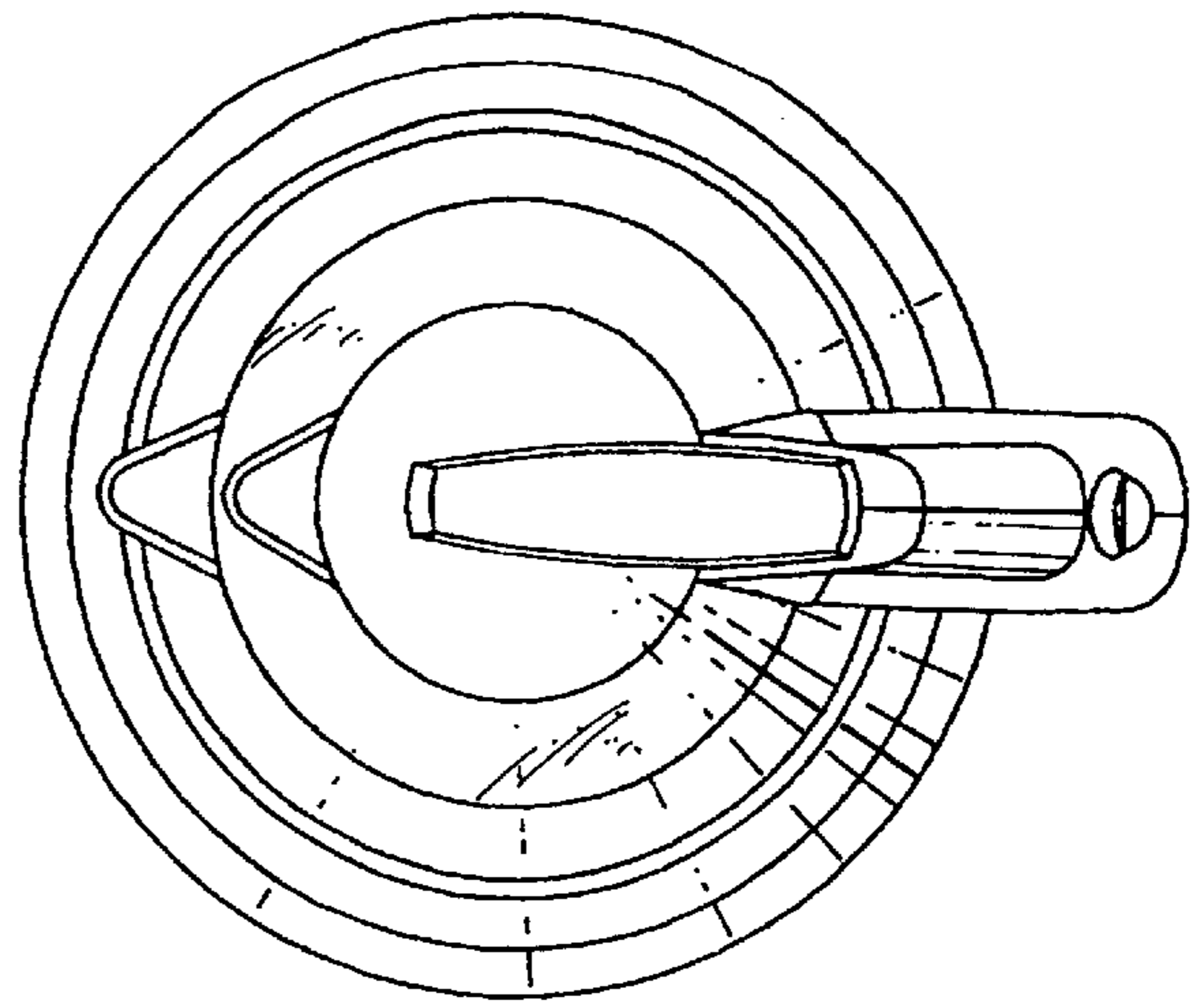


FIG. 4

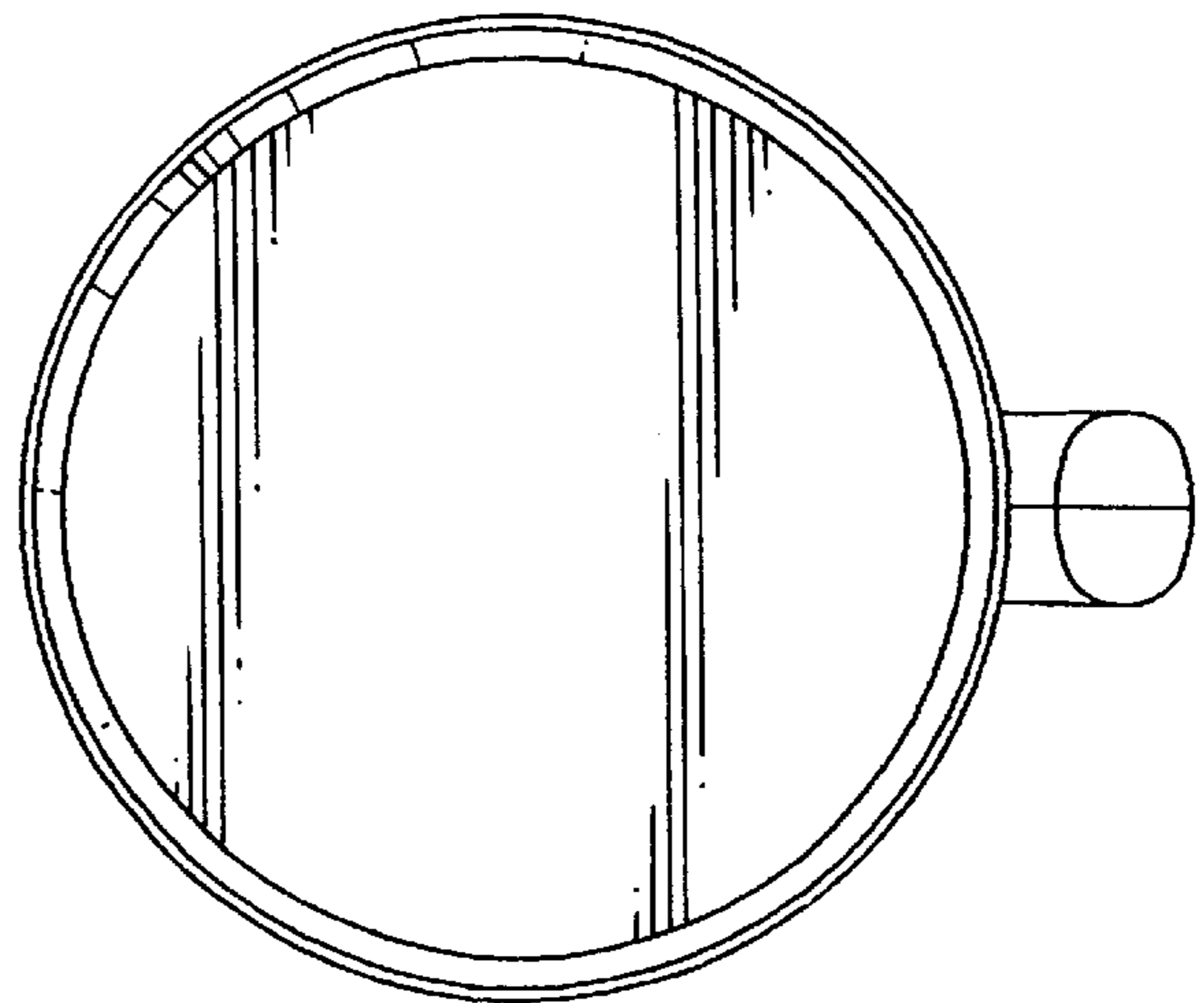


FIG. 5

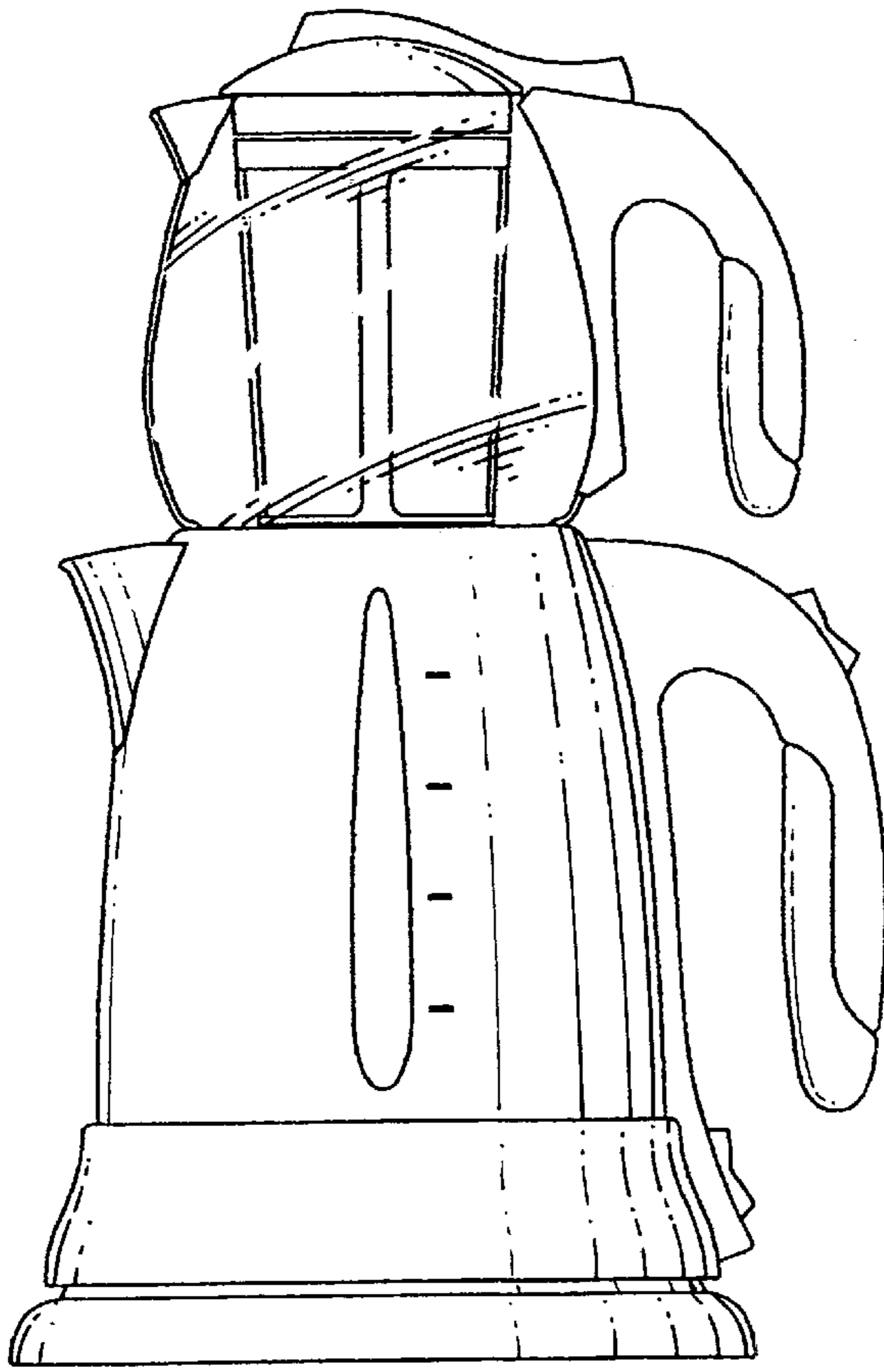


FIG. 6

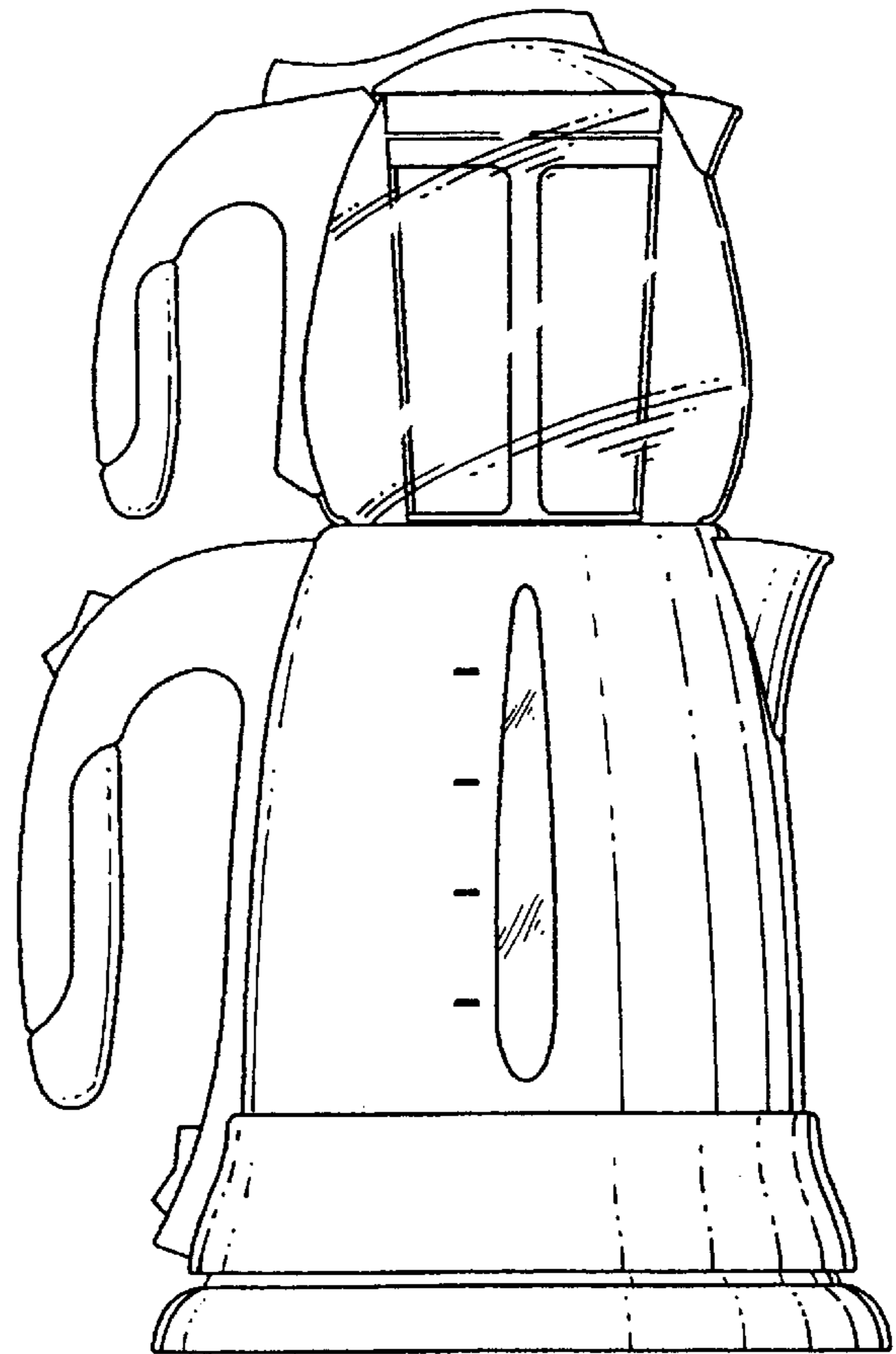


FIG. 7