



US00D482923S

(12) **United States Design Patent**
Gaines

(10) **Patent No.:** **US D482,923 S**

(45) **Date of Patent:** **** Dec. 2, 2003**

(54) **PILLOW CASE WITH SECURITY POCKET**

(75) **Inventor:** **Clifton Gaines**, 533 S. Water St., Apt. 3, Wichita, KS (US) 67202

(73) **Assignee:** **Clifton Gaines**, Wichita, KS (US)

(**) **Term:** **14 Years**

(21) **Appl. No.:** **29/176,870**

(22) **Filed:** **Mar. 3, 2003**

(51) **LOC (7) Cl.** **06-09**

(52) **U.S. Cl.** **D6/601**

(58) **Field of Search** D6/595, 596, 601, D6/608; 5/489, 490, 485

(56) **References Cited**

U.S. PATENT DOCUMENTS

2,779,033	A	*	1/1957	Fountain	5/489
3,946,316	A		3/1976	Hough		
4,688,286	A		8/1987	Miker, Jr.		
4,864,669	A	*	9/1989	Jones	5/636
4,959,880	A		10/1990	Tesch		
5,138,728	A		8/1992	Aston		
5,313,678	A		5/1994	Redewill		
5,729,846	A		3/1998	Sullivan		

5,737,787	A		4/1998	Iozef		
5,898,962	A	*	5/1999	McNeal	5/639
D411,401	S	*	6/1999	Edick et al.	D6/601
5,953,777	A	*	9/1999	Buck	5/636
6,044,161	A		3/2000	Lee		
6,267,638	B1		7/2001	Connolly et al.		
D448,960	S	*	10/2001	Leverette	D6/596

* cited by examiner

Primary Examiner—Janice E. Seeger

(74) *Attorney, Agent, or Firm*—John D. Gugliotta P.E., Esq.; David M. Chester PE, Esq.; P. Jeff Martin

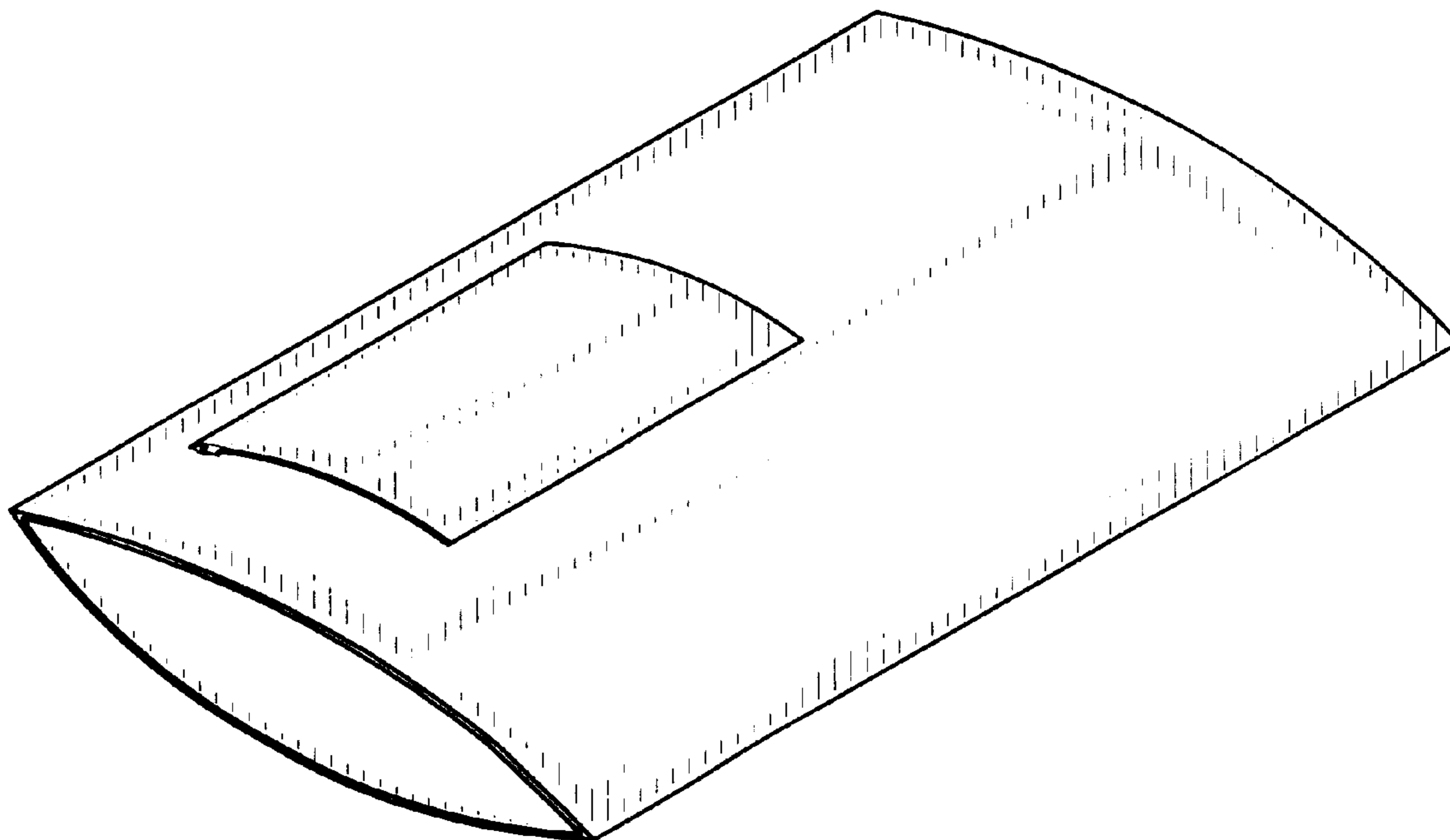
(57) **CLAIM**

The ornamental design for a pillow case with security pocket, as shown and described.

DESCRIPTION

FIG. 1 is a perspective view of a pillow case with security pocket showing my new design;
FIG. 2 is a rear elevational view thereof;
FIG. 3 is a front elevational plan view thereof;
FIG. 4 is a top plan view thereof;
FIG. 5 is a bottom plan view thereof;
FIG. 6 is a left side elevational view; and,
FIG. 7 is a right side elevational view thereof.

1 Claim, 2 Drawing Sheets



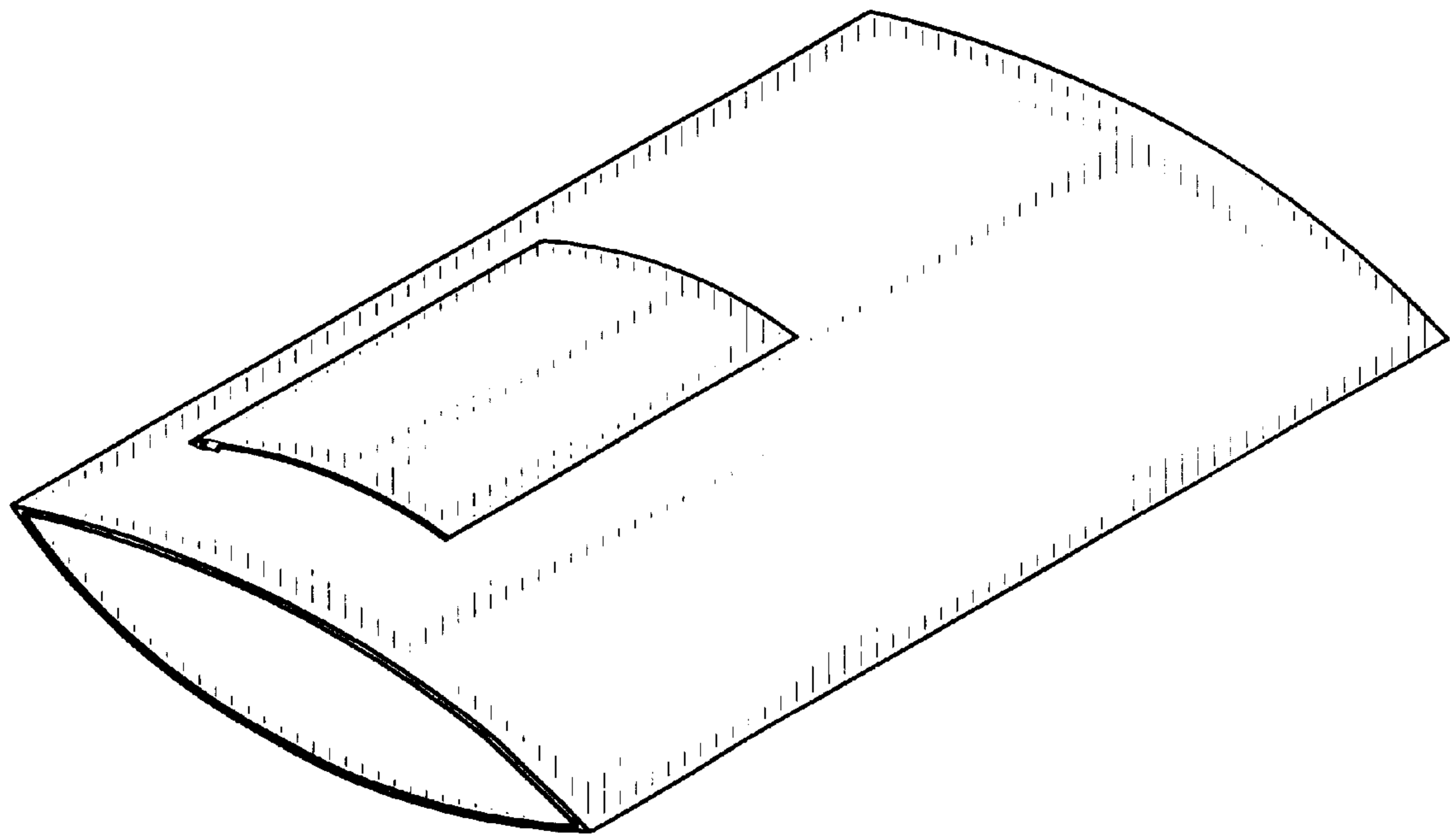


Fig. 1

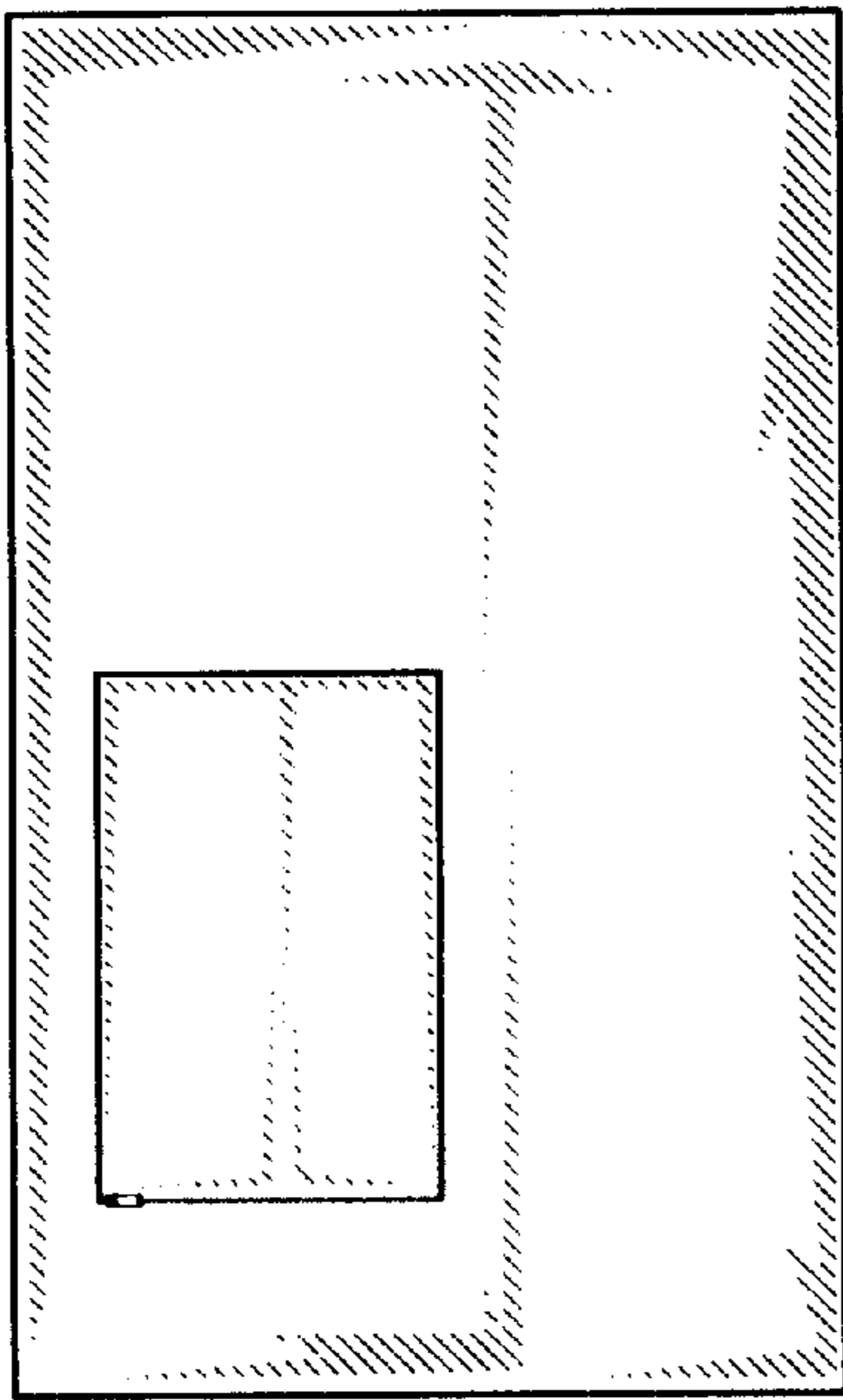


Fig. 2

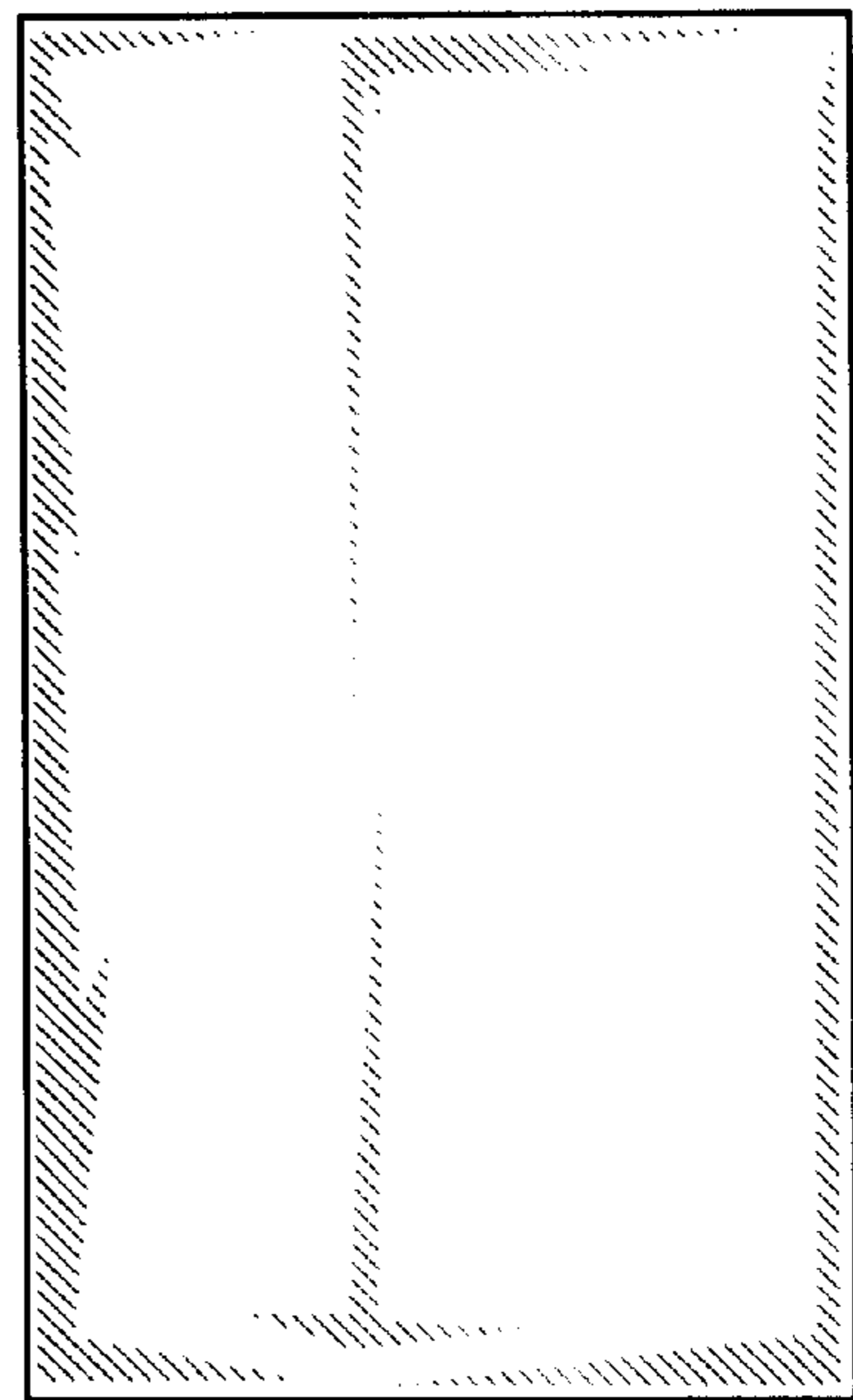


Fig. 3



Fig. 4

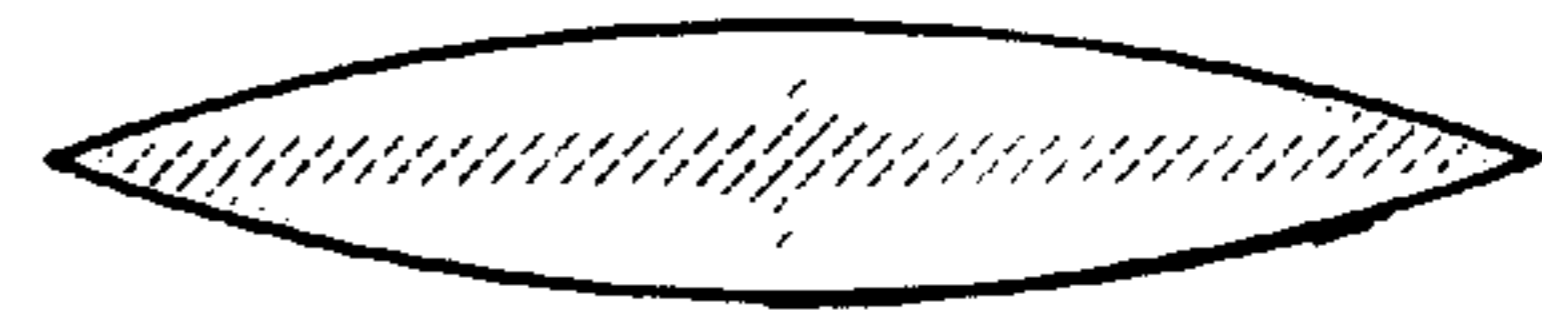


Fig. 5

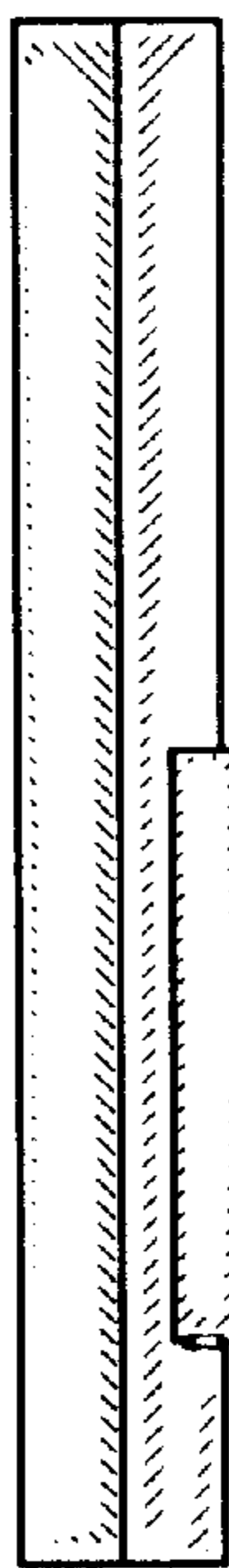


Fig. 6

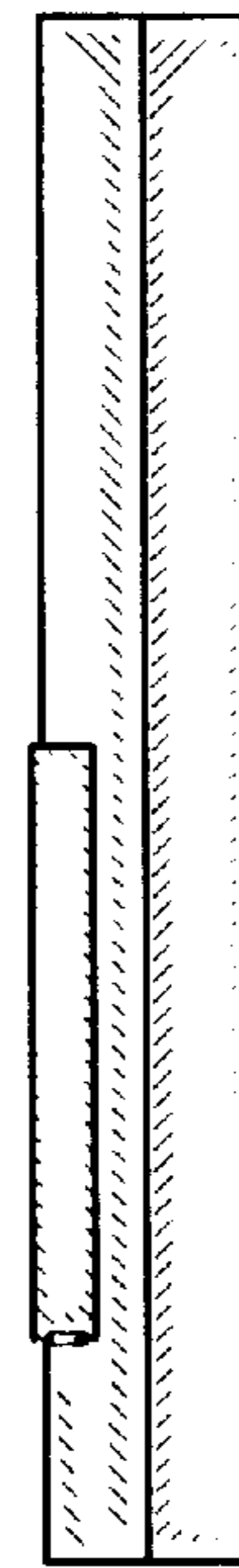


Fig. 7