



US00D482921S

(12) **United States Design Patent**
White

(10) **Patent No.:** **US D482,921 S**

(45) **Date of Patent:** **** Dec. 2, 2003**

(54) **SLIDABLE BUNK BED ACCESSORY WITH HINGED BEVERAGE AND UTILITY SHELF**

5,101,523 A 4/1992 Bright
5,459,893 A 10/1995 Walters, III

(76) Inventor: **Julie D. White**, 4 Shakespeare Road,
Honicknowle, Plymouth, Devonshire
(GB)

* cited by examiner

Primary Examiner—Brian N. Vinson
(74) *Attorney, Agent, or Firm*—Donald R. Schoonover

(**) Term: **14 Years**

(57) **CLAIM**

(21) Appl. No.: **29/173,464**

The ornamental design for a slidable bunk bed accessory with hinged beverage and utility shelf, as shown and described.

(22) Filed: **Dec. 31, 2002**

(51) **LOC (7) Cl.** **06-04**

DESCRIPTION

(52) **U.S. Cl.** **D6/553**

(58) **Field of Search** D6/512-514, 553,
D6/567, 524, 525; D7/619, 620; 211/13.1,
86.01, 71.01, 74, 75; 248/309.1, 311.2,
312

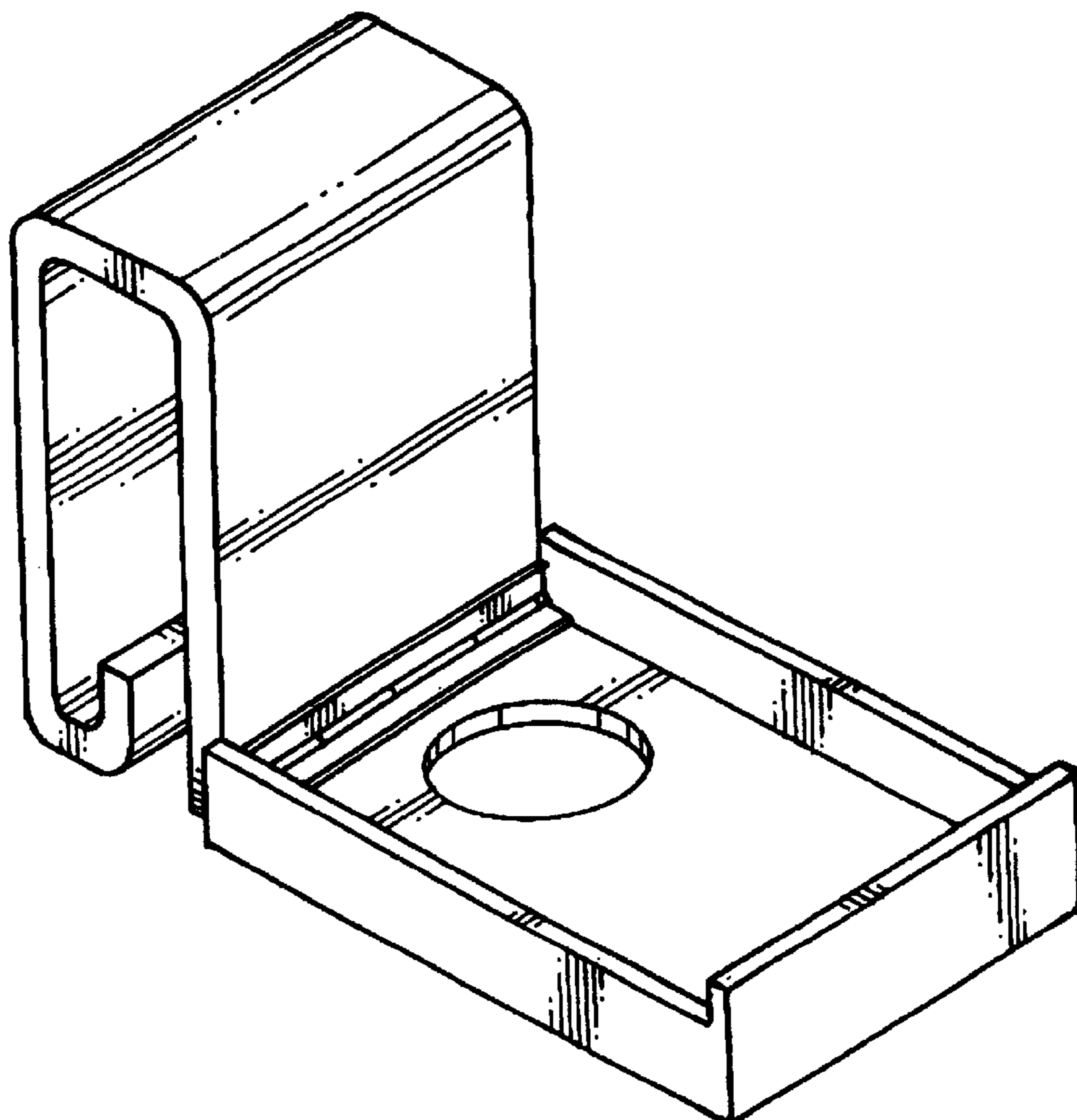
FIG. 1 is a perspective view of the slidable bunk bed accessory with hinged beverage and utility shelf embodying the design of the present invention;
FIG. 2 is a front elevational view thereof;
FIG. 3 is a rear elevational view thereof;
FIG. 4 is a right side elevational view thereof, the left side elevational view being a mirror image thereof;
FIG. 5 is a top plan view thereof;
FIG. 6 is a bottom plan view thereof; and,
FIG. 7 is a perspective view of the slidable bunk bed accessory with hinged beverage and utility shelf in use; the broken lines depict environmental structure and form no part of the claimed design.

(56) **References Cited**

U.S. PATENT DOCUMENTS

- 327,202 A 9/1885 Smith et al.
- 481,385 A 8/1892 Barger
- D185,897 S * 8/1959 Stark D6/574
- D203,010 S * 11/1965 Graham et al. D6/567
- D227,724 S 7/1973 Mendlin
- 3,829,907 A 8/1974 Brunner
- 4,070,715 A 1/1978 Reppas
- 4,557,452 A * 12/1985 Khuong 248/311.2 X

1 Claim, 3 Drawing Sheets



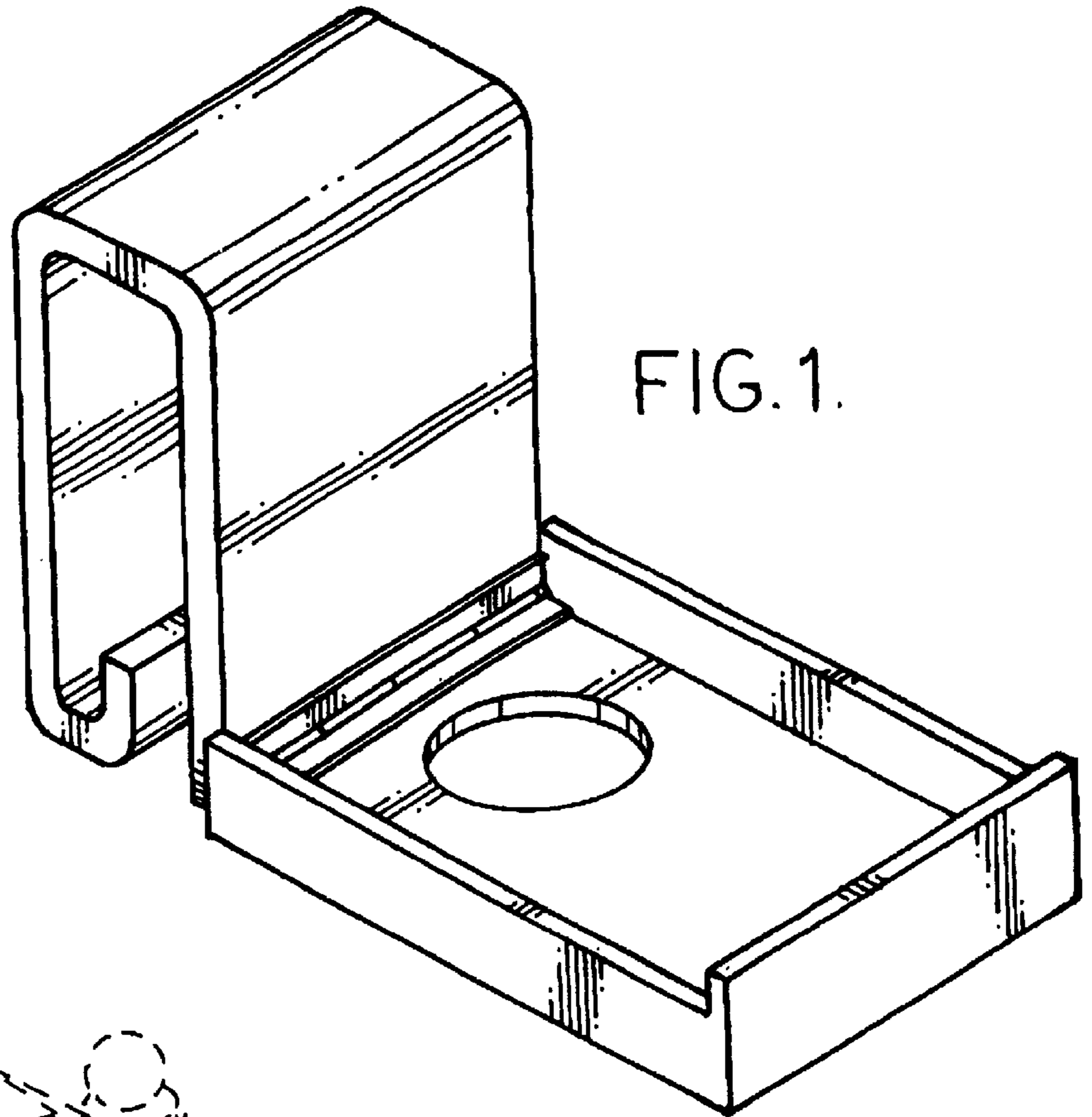


FIG. 1.

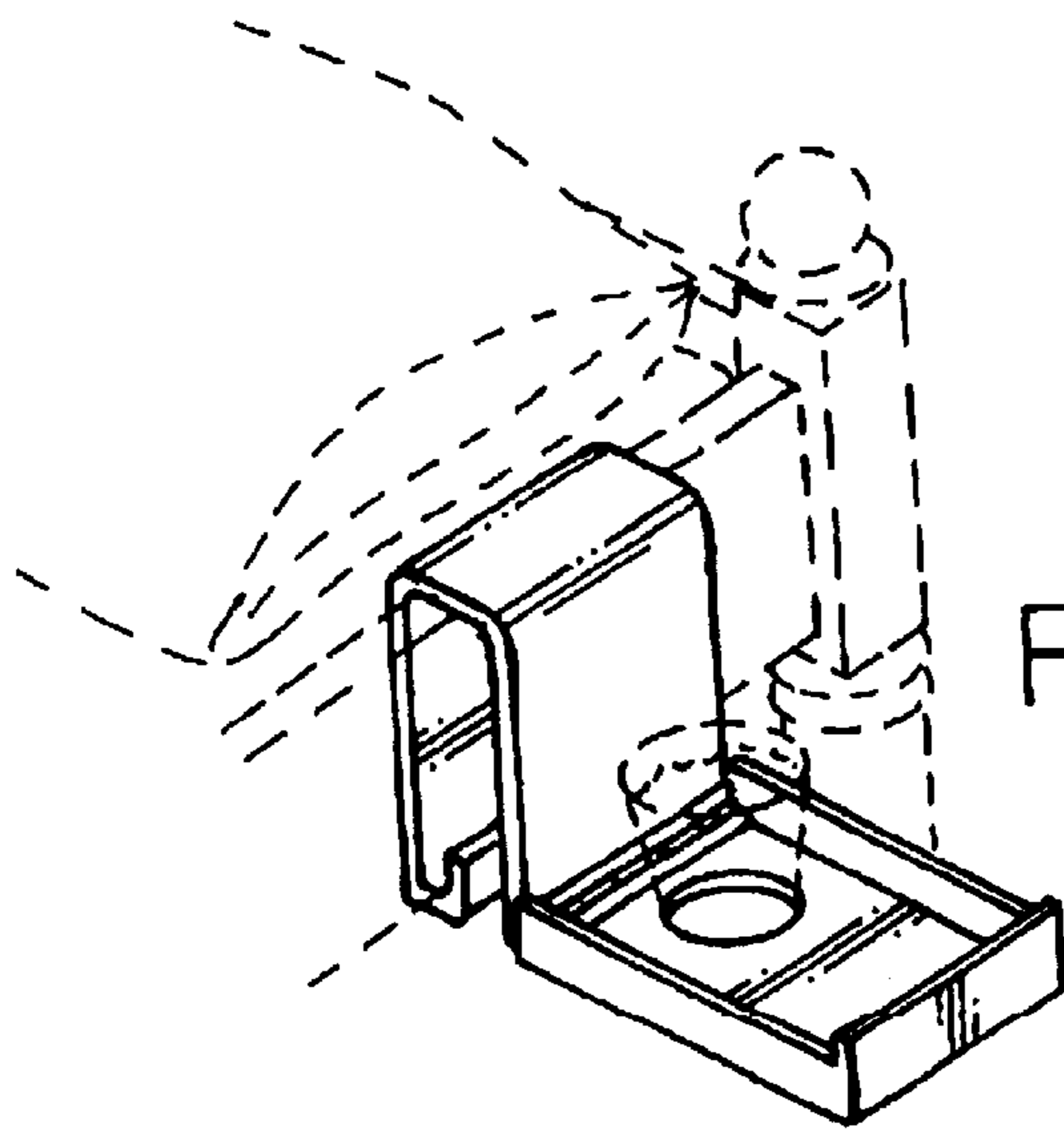


FIG. 7.

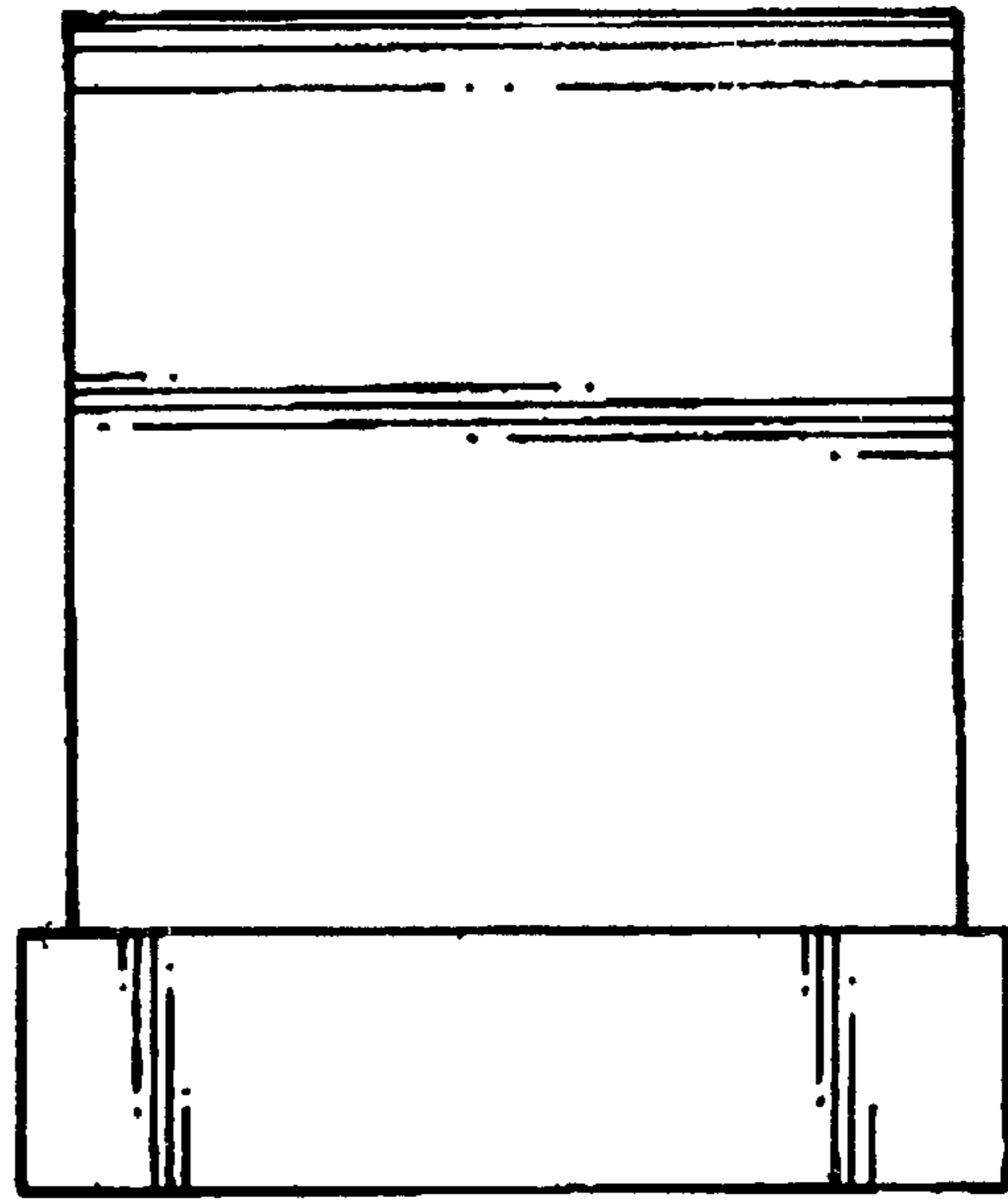


FIG. 2.

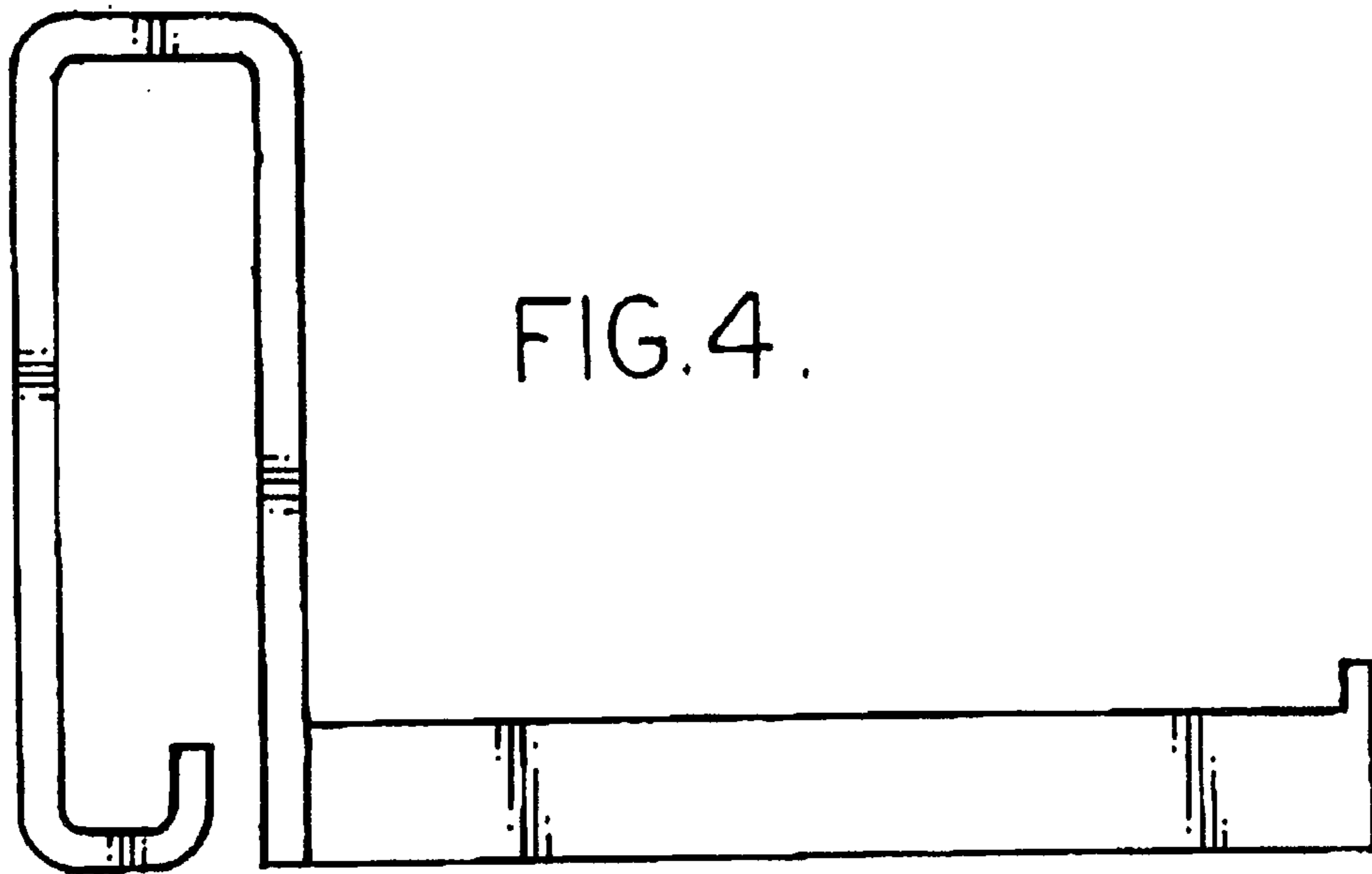


FIG. 4.

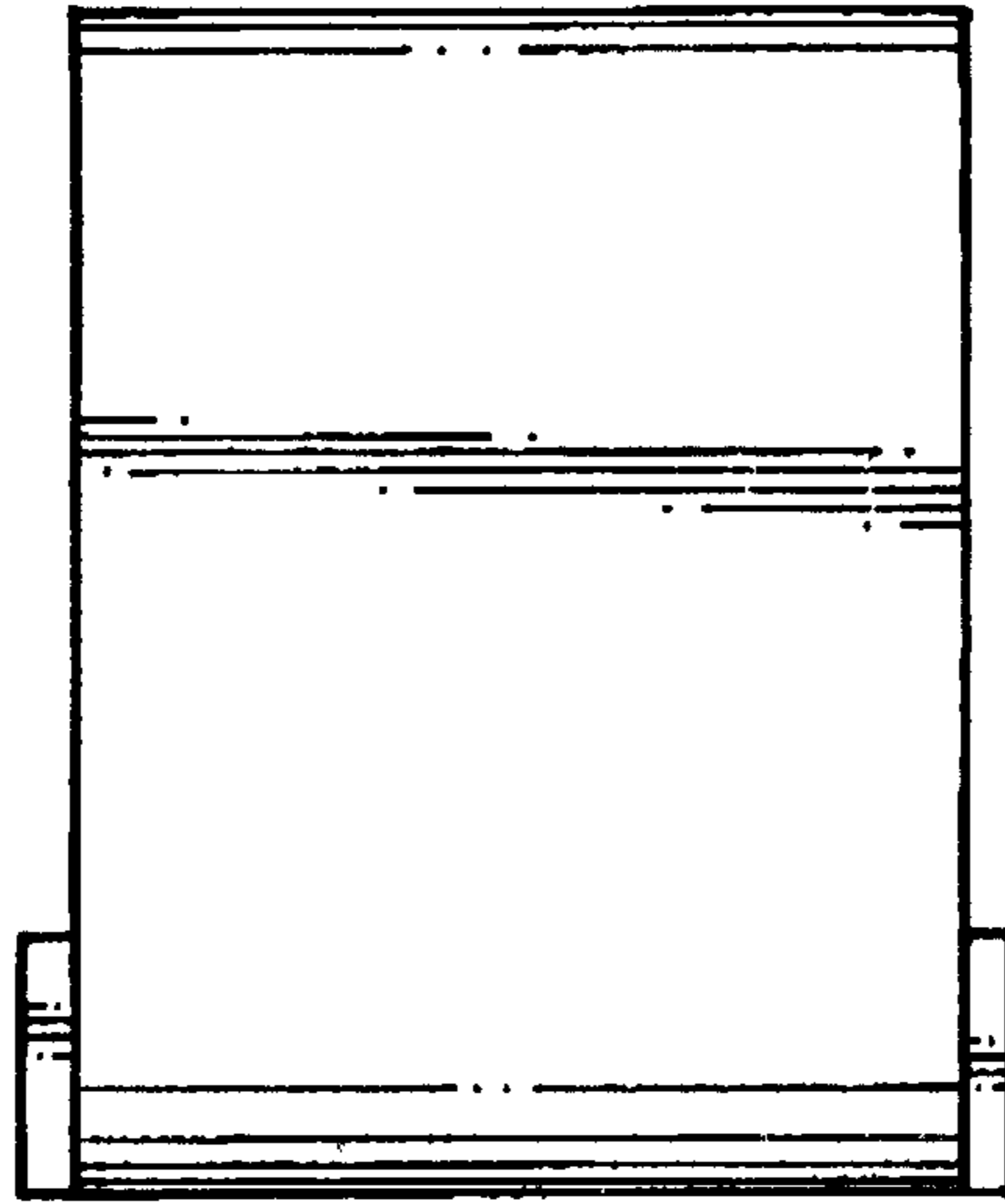


FIG. 3.

FIG. 5.

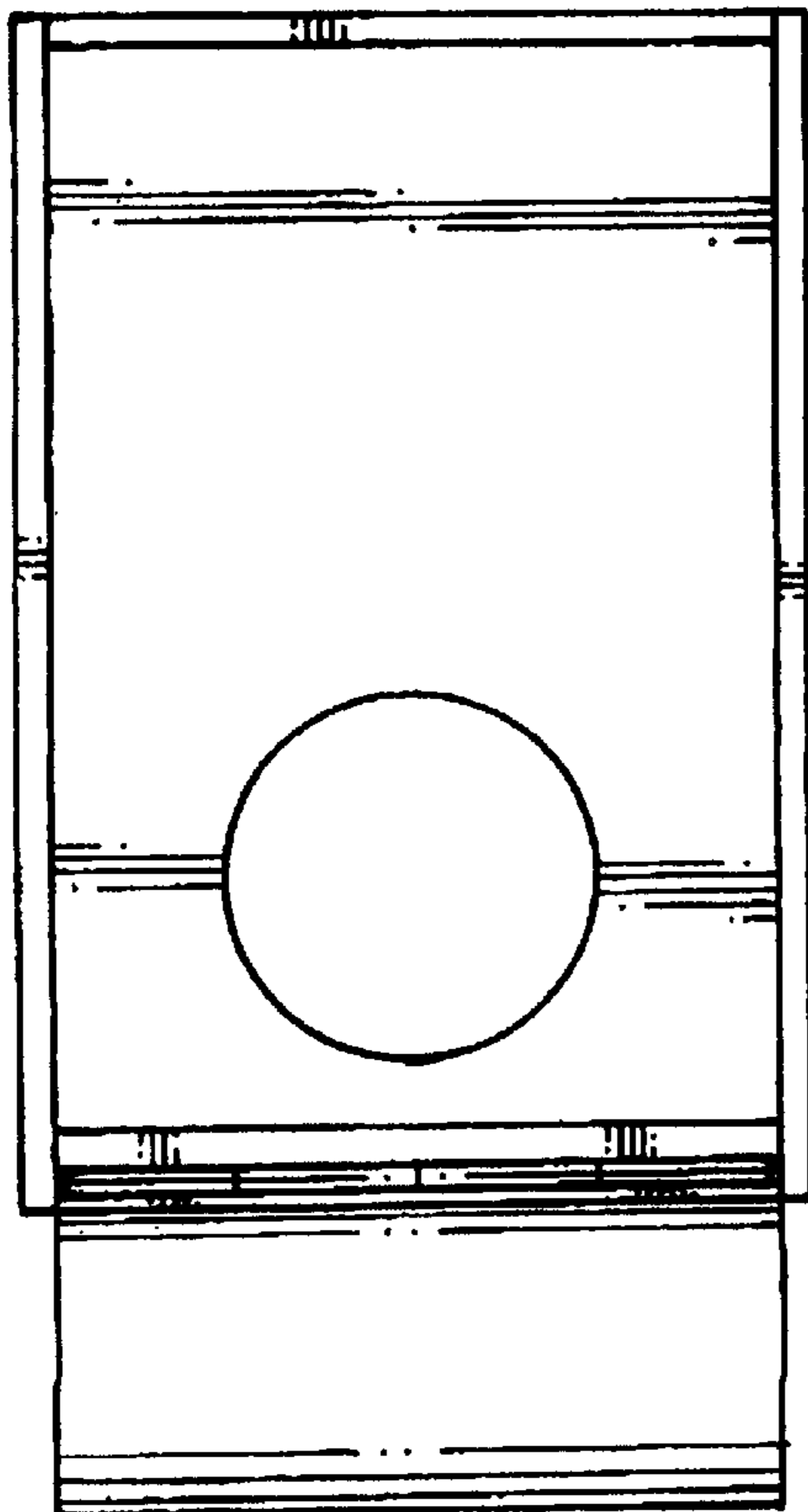


FIG. 6.

