



US00D482916S

(12) **United States Design Patent**
Smurlick et al.

(10) **Patent No.:** **US D482,916 S**

(45) **Date of Patent:** **** Dec. 2, 2003**

(54) **SUPPLEMENTAL TOILET ROLL DISPENSER**

DESCRIPTION

(76) Inventors: **Gerry Smurlick**, 1024 North Shore Boulevard, Burlington, Ontario (CA), L7T 1X7; **Glen Adkins**, 70 Glendale Blvd., Red Deer, Alberta (CA), T4P 2P4

(**) Term: **14 Years**

(21) Appl. No.: **29/166,859**

(22) Filed: **Sep. 6, 2002**

(51) **LOC (7) Cl.** **20-02**

(52) **U.S. Cl.** **D6/518**

(58) **Field of Search** D6/513, 515, 518, D6/523; 206/389; 211/45, 113; 221/33, 282, 283; 222/173, 180; 242/570, 560, 590, 598; 248/317

(56) **References Cited**

U.S. PATENT DOCUMENTS

D204,595 S	*	5/1966	Turro	D6/523
D252,842 S	*	9/1979	McKee	D6/523
D406,481 S	*	3/1999	Conrado	D6/520

* cited by examiner

Primary Examiner—Brian N. Vinson

(57) **CLAIM**

The ornamental design for a supplemental toilet roll dispenser, as shown.

FIG. 1 is a top, front and left side perspective view of a supplemental toilet roll dispenser showing our new design; FIG. 2 is a top, front and left side perspective view thereof, with the broken-line disclosure of a toilet roll holder being for illustrative purposes only and forming no part of the claimed design; FIG. 3 is a top plan view of one of the bracket portions thereof; FIG. 4 is a bottom plan view of one of the bracket portions thereof; FIG. 5 is a front elevational view of one of the bracket portions thereof; FIG. 6 is a rear elevational view of one of the bracket portions thereof; FIG. 7 is a left side elevational view of one of the bracket portions thereof; FIG. 8 is a left side and front perspective view of one of the bracket portions thereof; FIG. 9 is an inverted front and right side perspective view of one of the bracket portions thereof; FIG. 10 is a front elevational view of the roller portion thereof; FIG. 11 is a left side elevational view of the roller portion thereof; FIG. 12 is a vertical cross-sectional view thereof taken along line 12—12 of FIG. 10; and, FIG. 13 is a top, front, and left side perspective view of the roller portion thereof.

1 Claim, 5 Drawing Sheets

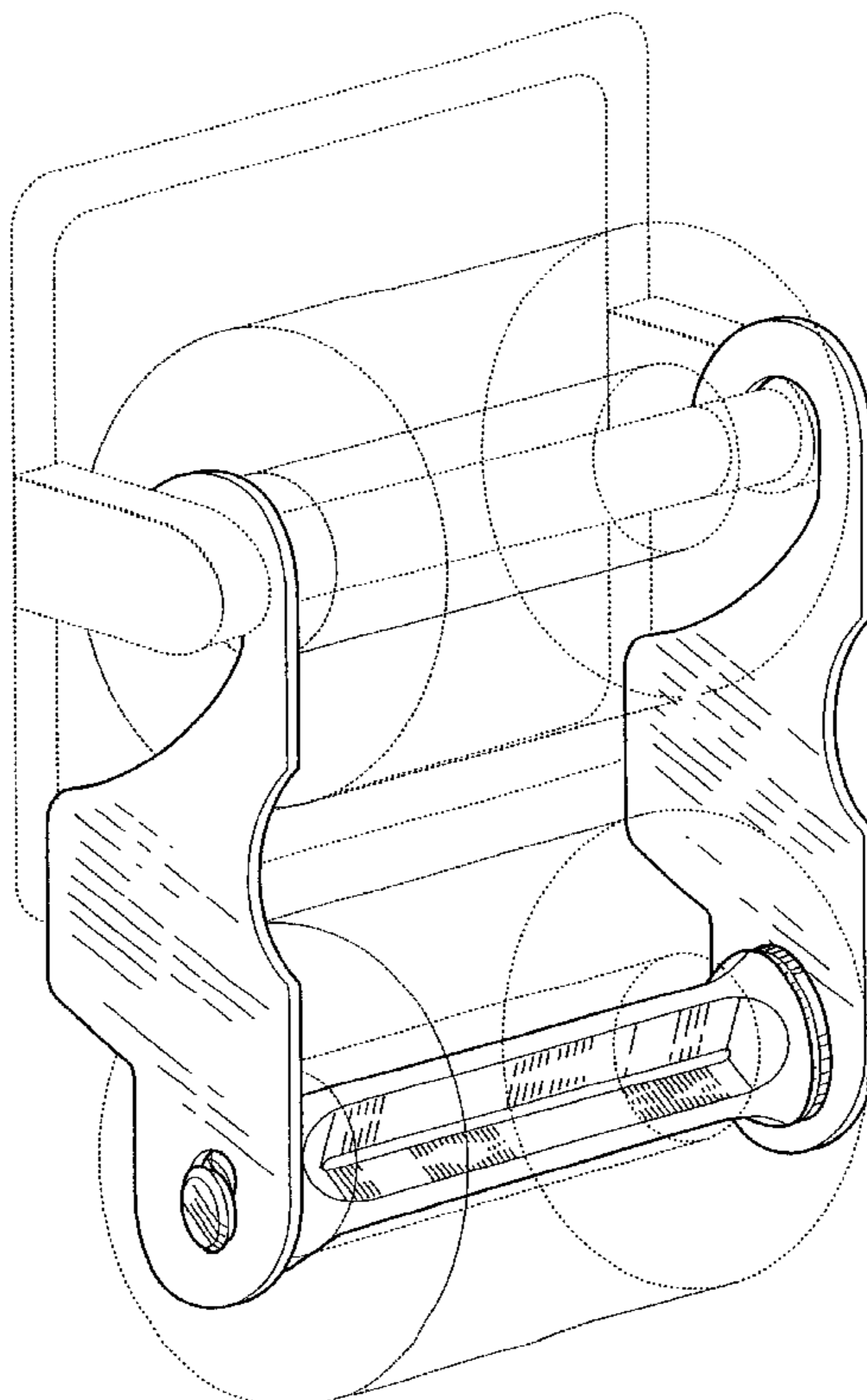


FIG. 1

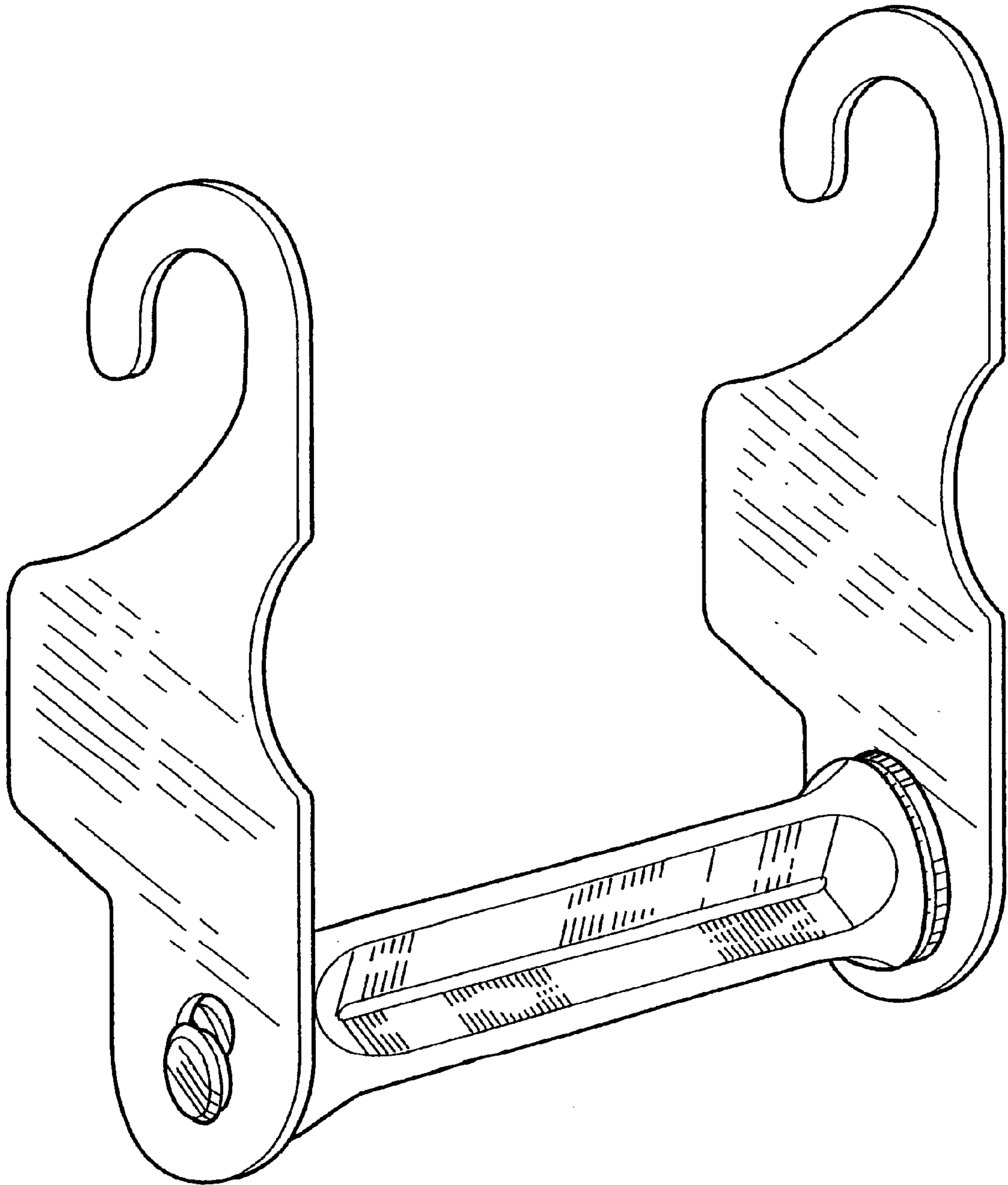


FIG. 2

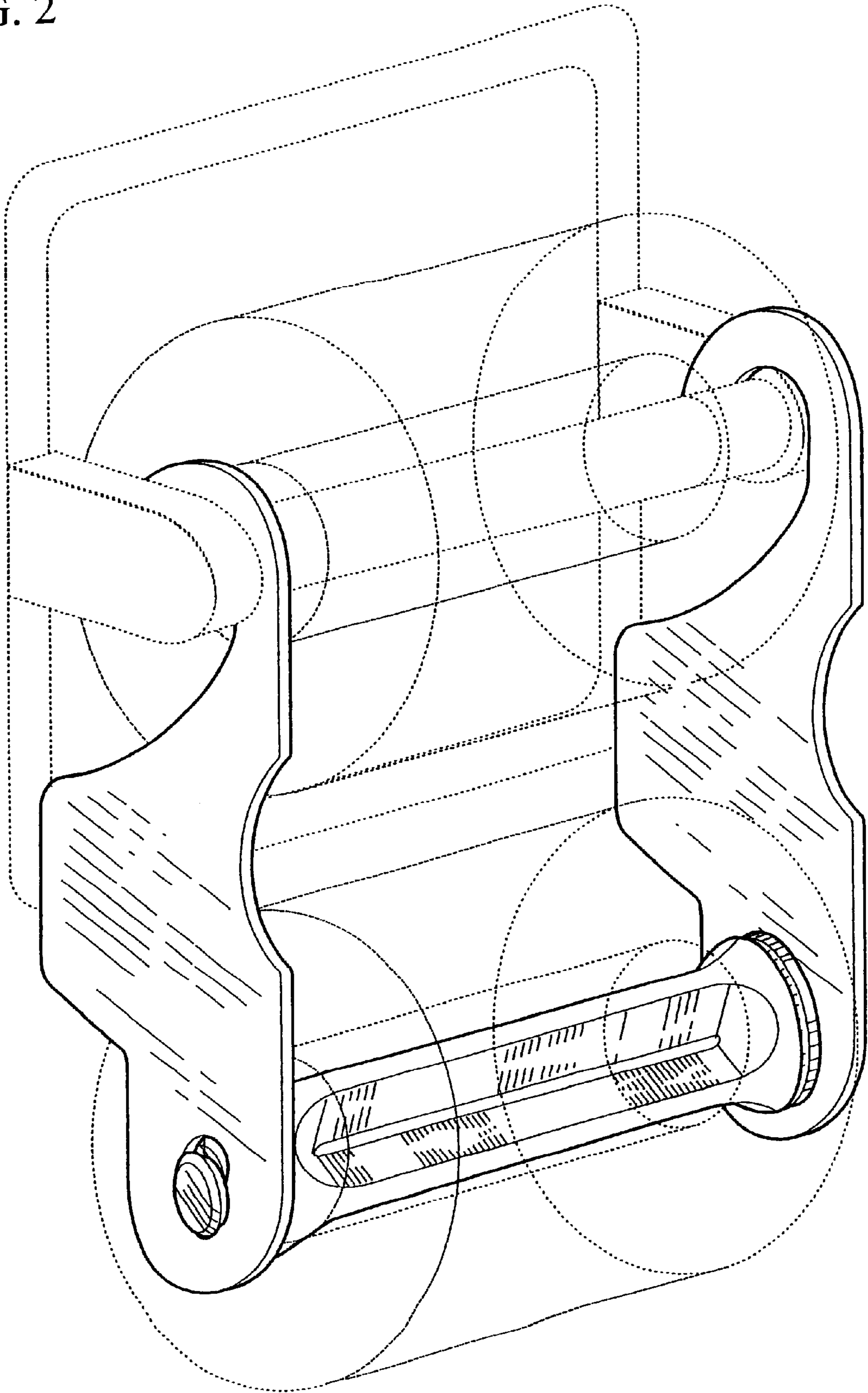


FIG. 3

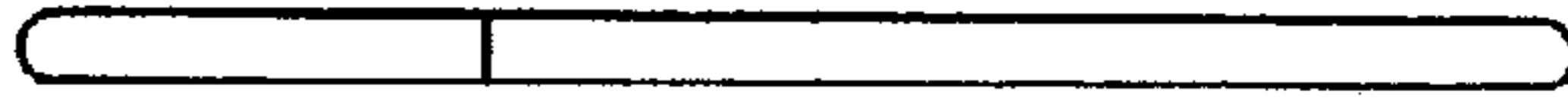


FIG. 5



FIG. 7

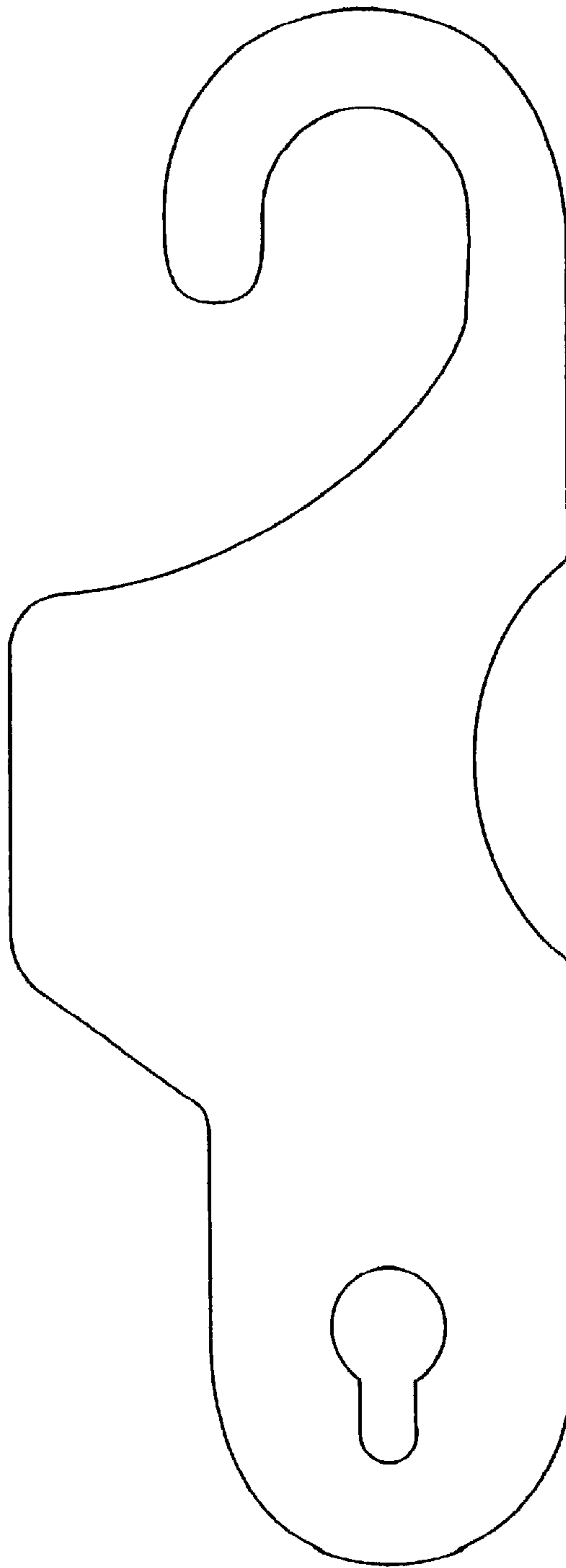


FIG. 6



FIG. 4

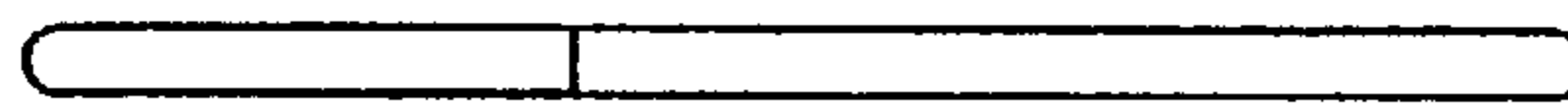


FIG. 8

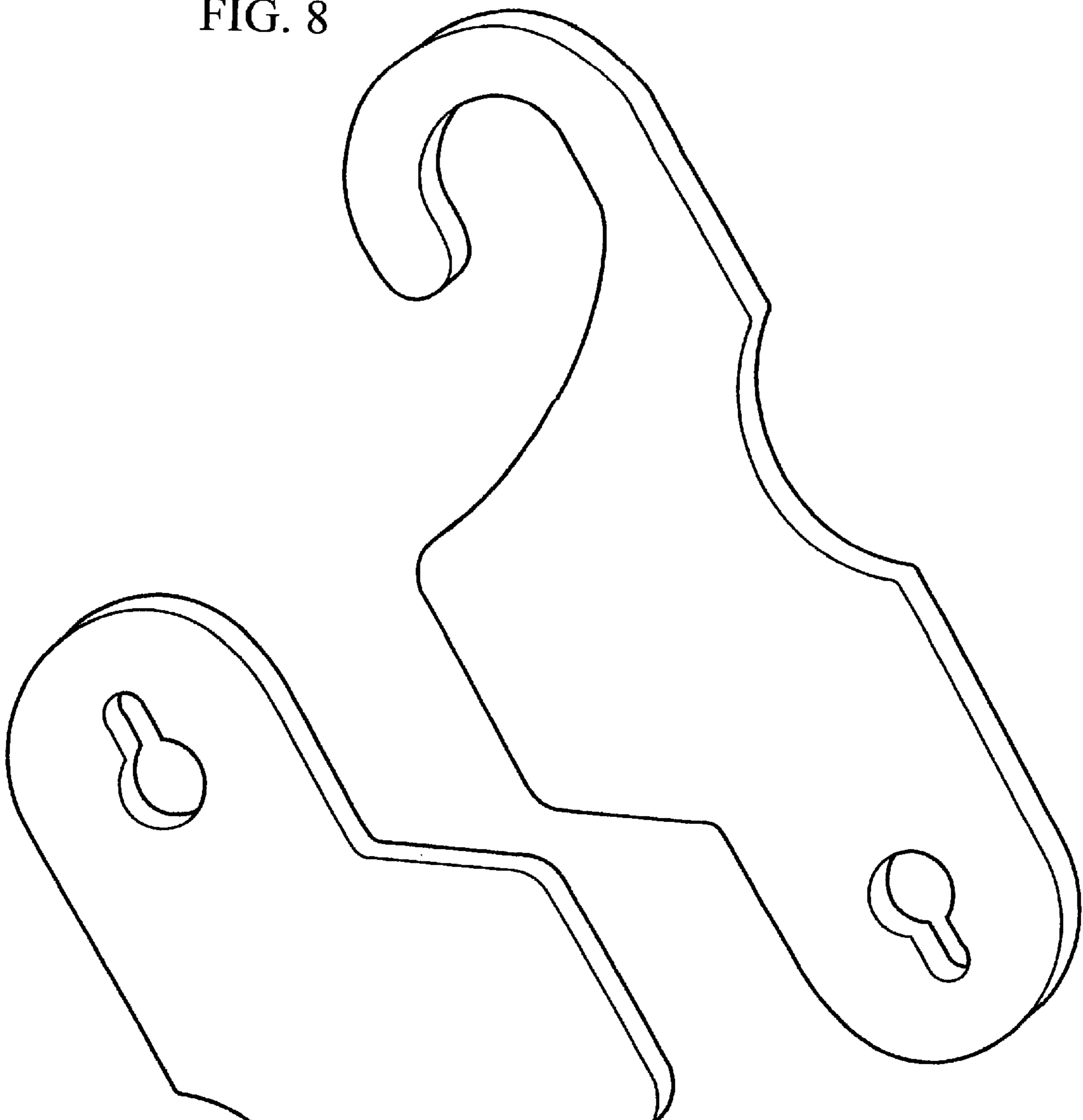


FIG. 9

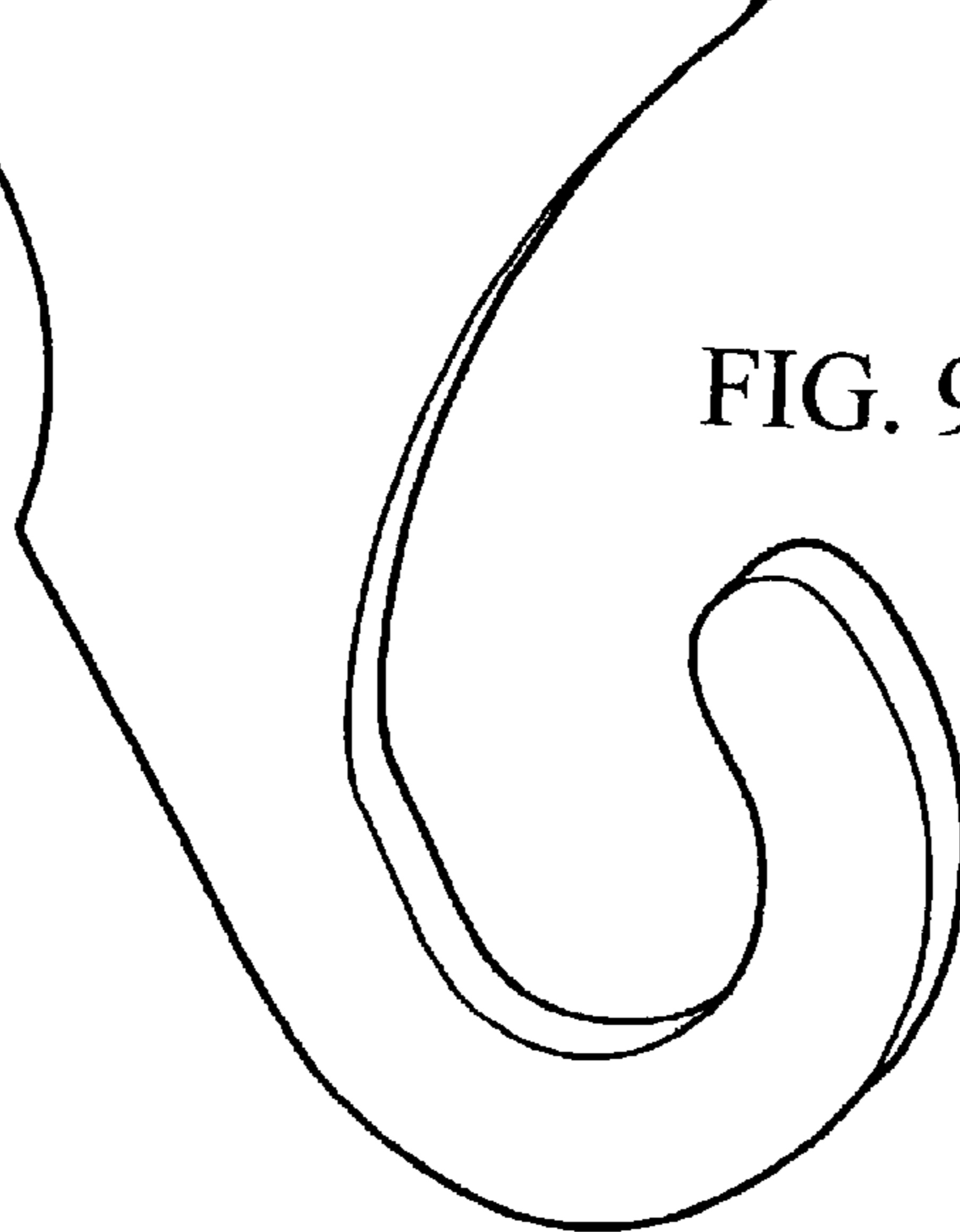


FIG. 10

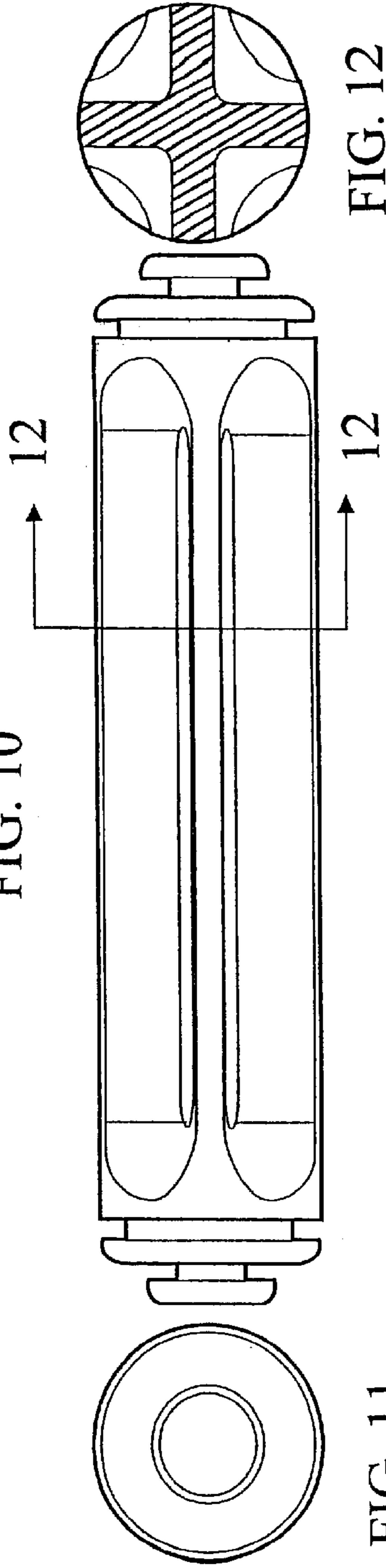


FIG. 12

FIG. 11

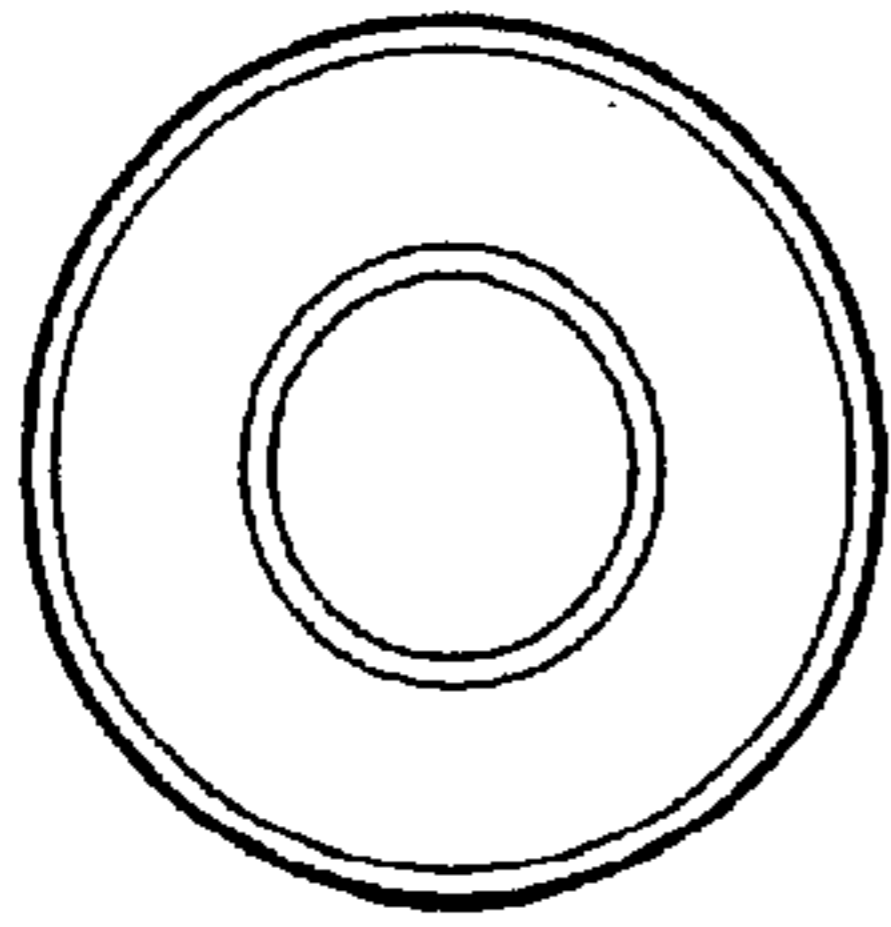


FIG. 13

