



US00D482915S

(12) **United States Design Patent**
Yang et al.

(10) **Patent No.:** **US D482,915 S**

(45) **Date of Patent:** **** Dec. 2, 2003**

(54) **PLASTIC BAG DISPENSER**

(75) Inventors: **Frank Yang**, Palos Verdes Peninsula, CA (US); **Joseph Sandor**, Santa Ana Heights, CA (US); **Myk Wayne Lum**, Irvine, CA (US)

(73) Assignee: **Simplehuman LLC**, Los Angeles, CA (US)

(**) Term: **14 Years**

(21) Appl. No.: **29/182,818**

(22) Filed: **Jun. 2, 2003**

(51) **LOC (7) Cl.** **20-02**

(52) **U.S. Cl.** **D6/515**

(58) **Field of Search** D6/515-523; 211/13.1, 211/44, 45, 49.1, 50, 59.2, 86.01, 87.01; 221/22, 33, 45, 134, 181-182; 206/554

(56) **References Cited**

U.S. PATENT DOCUMENTS

5,042,687 A * 8/1991 McKinley 221/45 X

D329,344 S * 9/1992 Carillo D6/515

D358,325 S * 5/1995 McNaughton D6/515 X

D397,566 S * 9/1998 Choiniere et al. D6/515

D419,010 S * 1/2000 Hansen et al. D6/515

D475,873 S * 6/2003 Mello D6/515

* cited by examiner

Primary Examiner—Brian N. Vinson

(74) *Attorney, Agent, or Firm*—Liu & Liu

(57) **CLAIM**

The ornamental design for the plastic bag dispenser, as shown and described.

DESCRIPTION

FIG. 1 is a front perspective view of a plastic bag dispenser showing our new design;

FIG. 2 is a top plan view thereof;

FIG. 3 is a bottom plan view thereof;

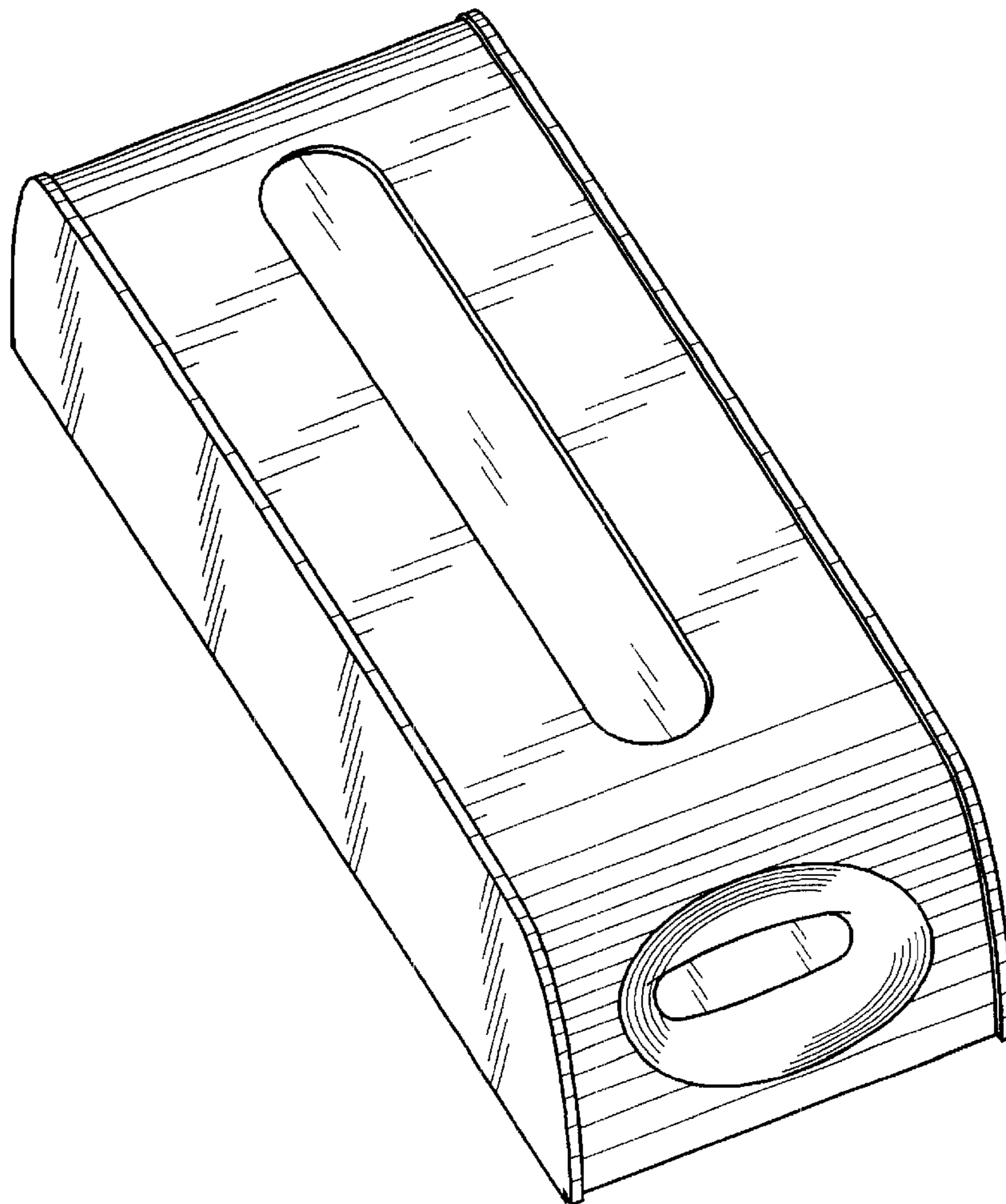
FIG. 4 is a right side elevation view thereof;

FIG. 5 is a left side elevation view thereof;

FIG. 6 is a front elevation view thereof; and,

FIG. 7 is a rear elevation view thereof.

1 Claim, 3 Drawing Sheets



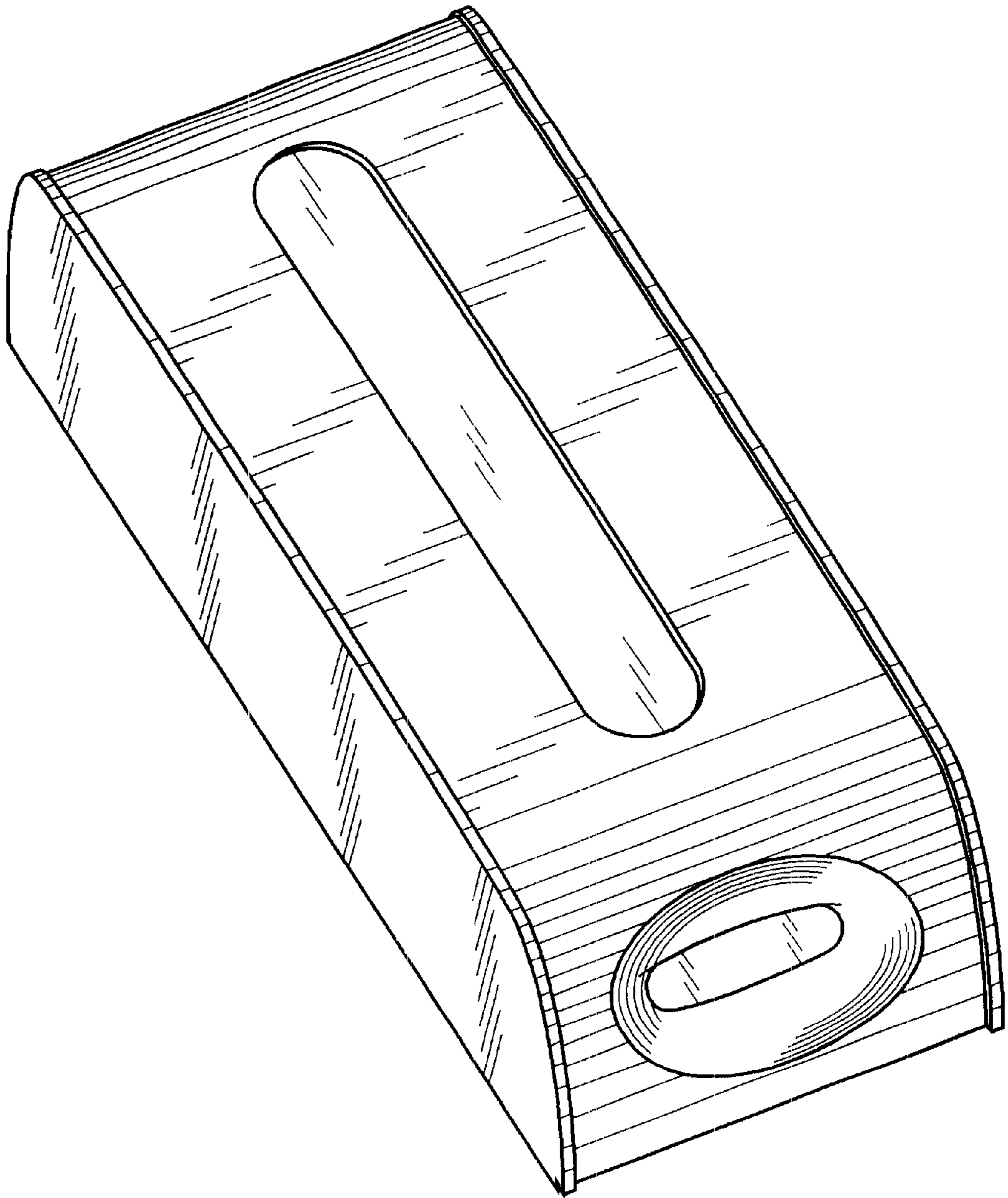


FIG. 1

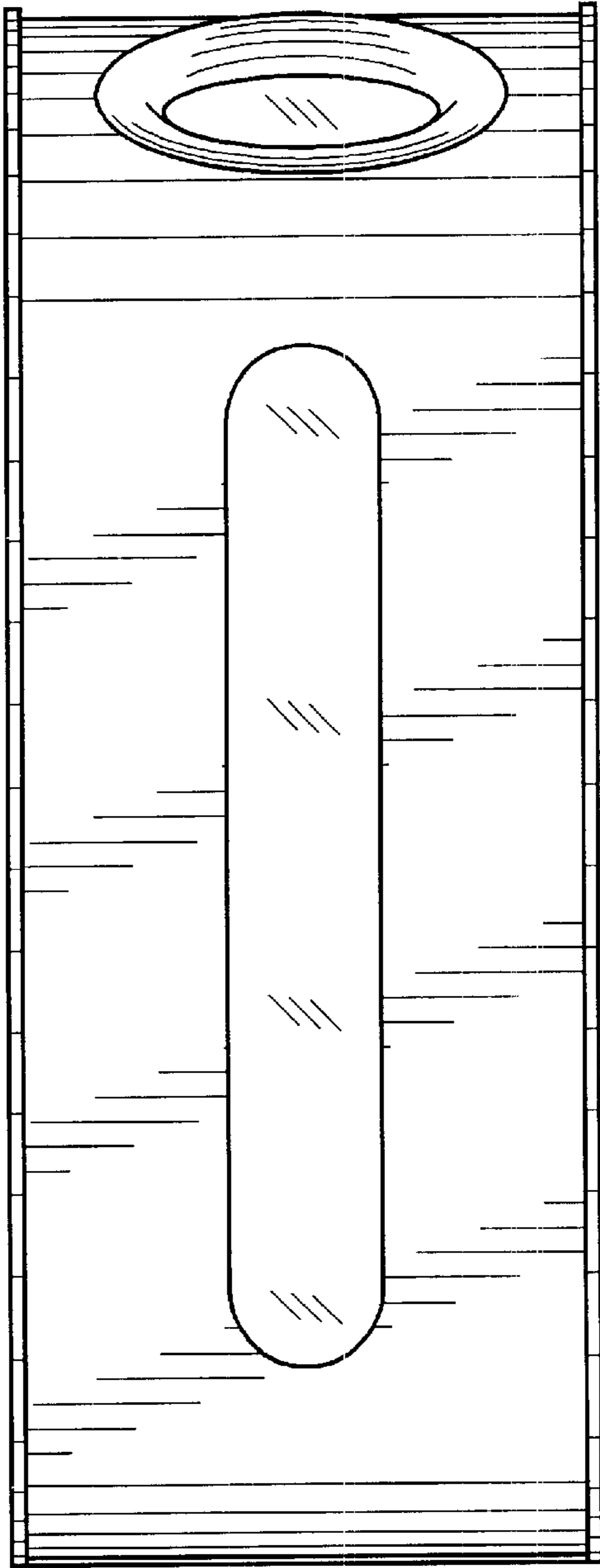


FIG. 2

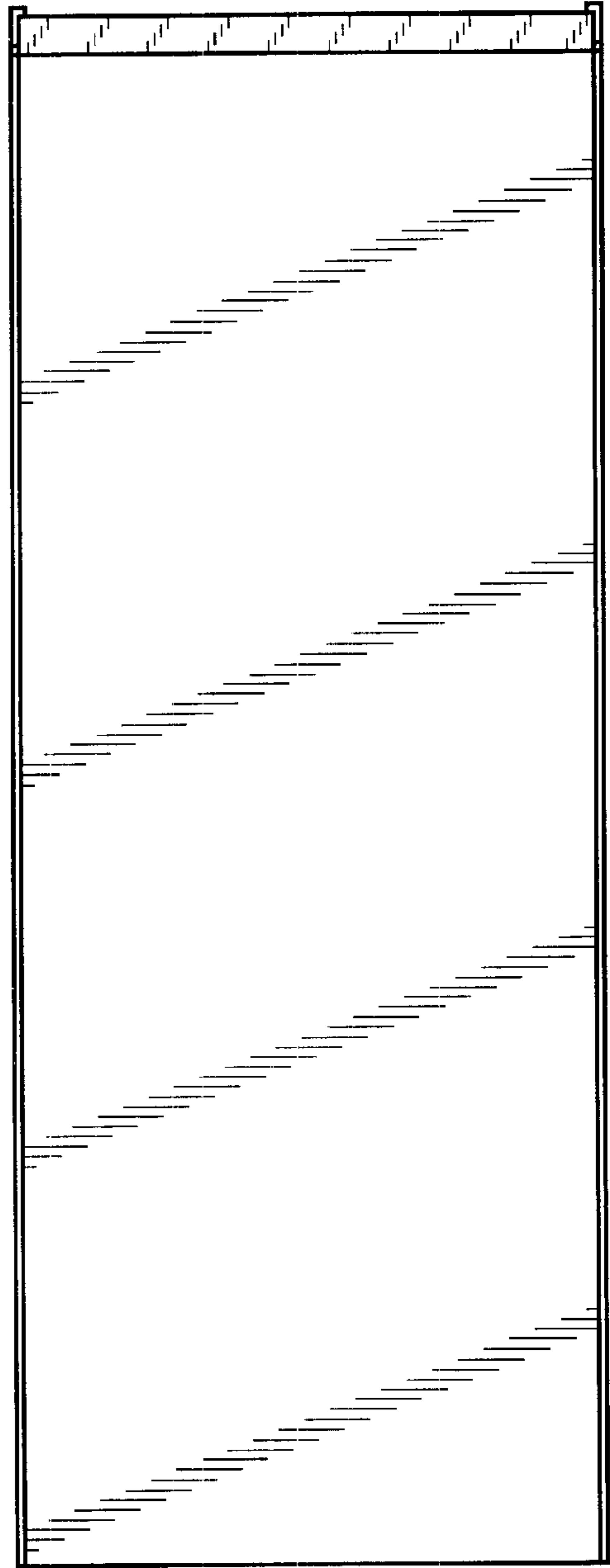


FIG. 3

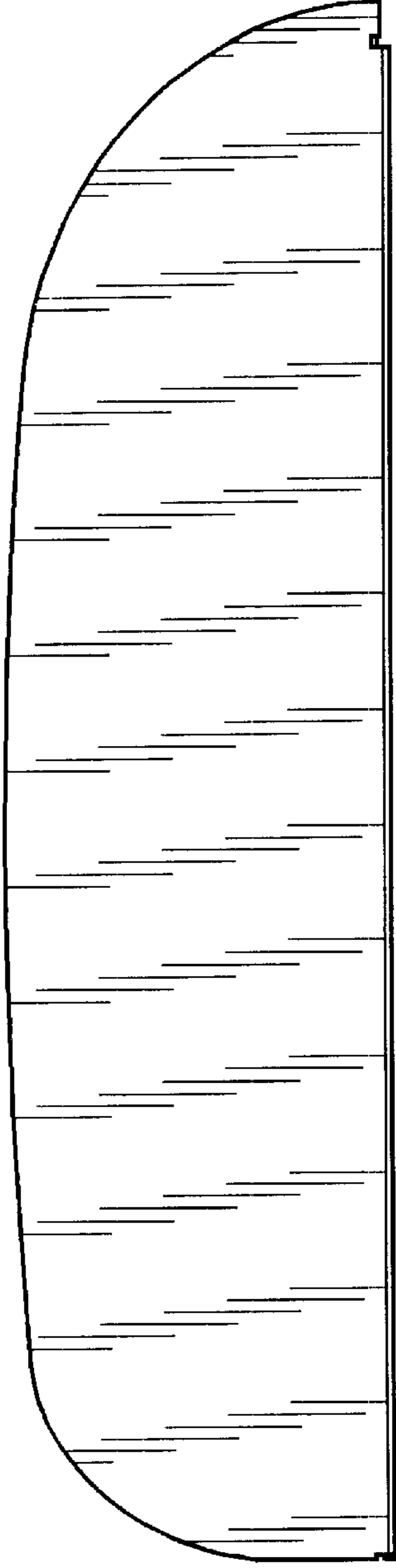


FIG. 4

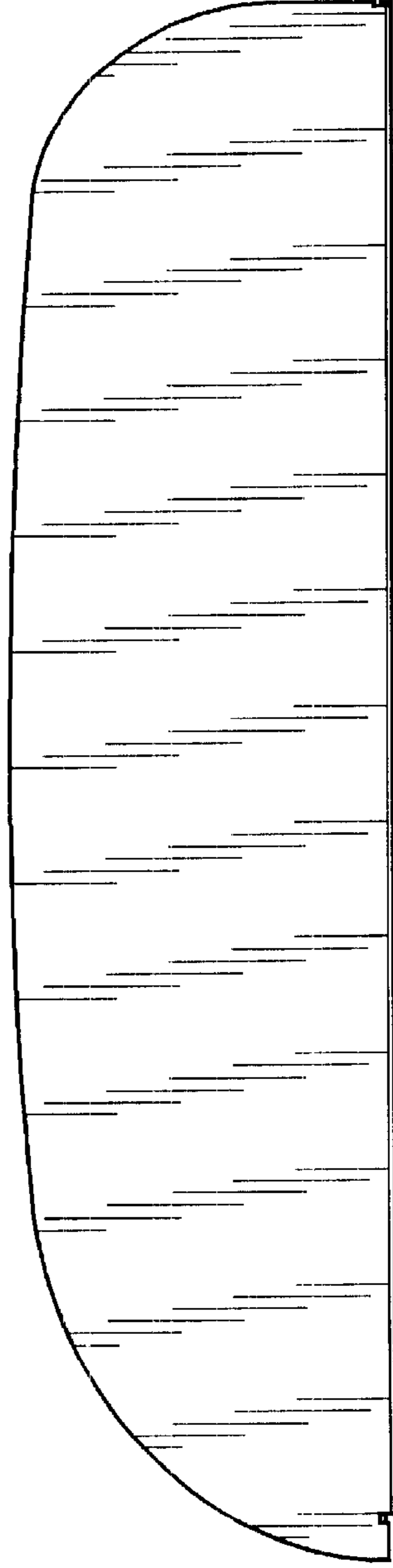


FIG. 5

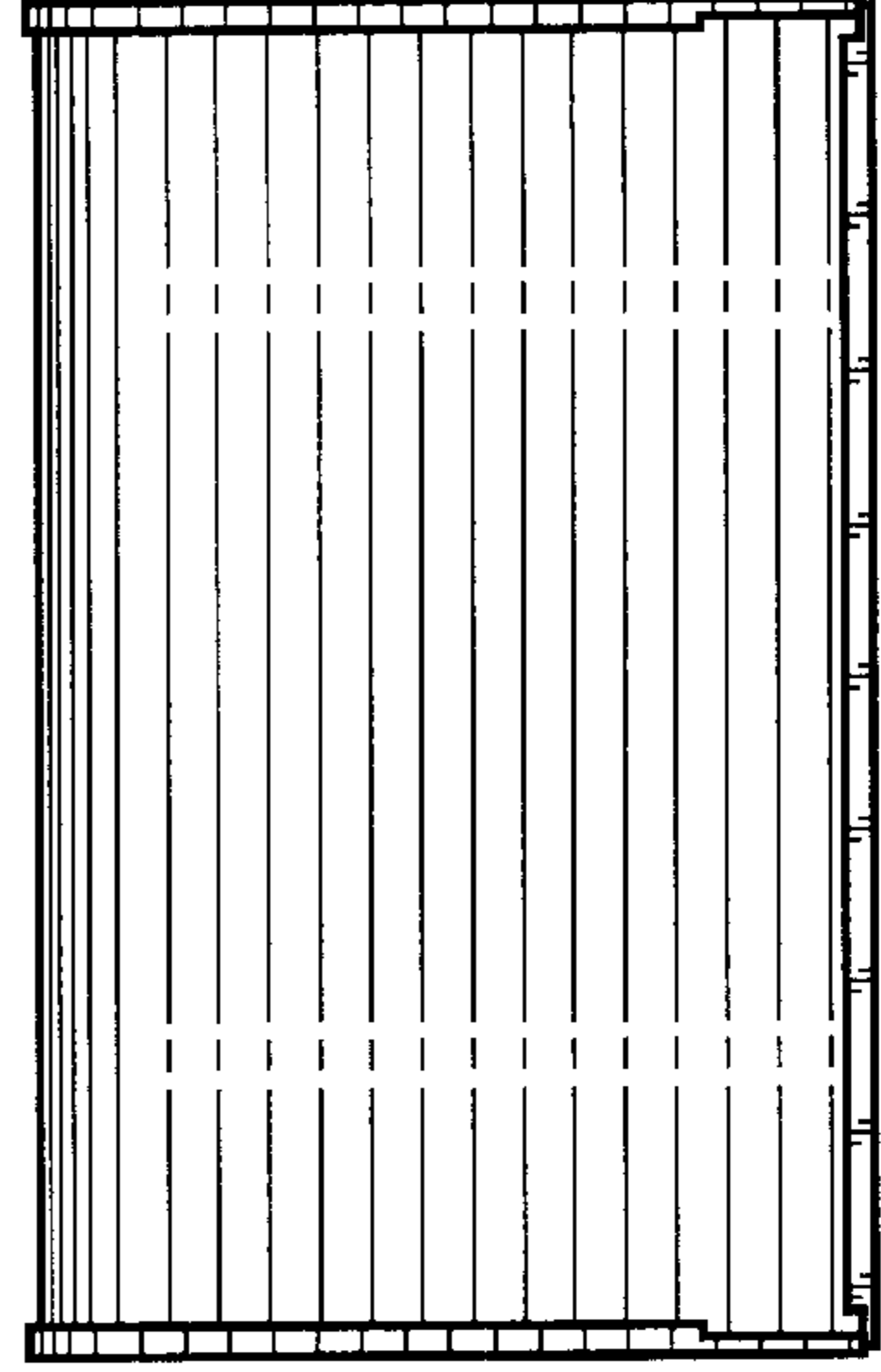


FIG. 7

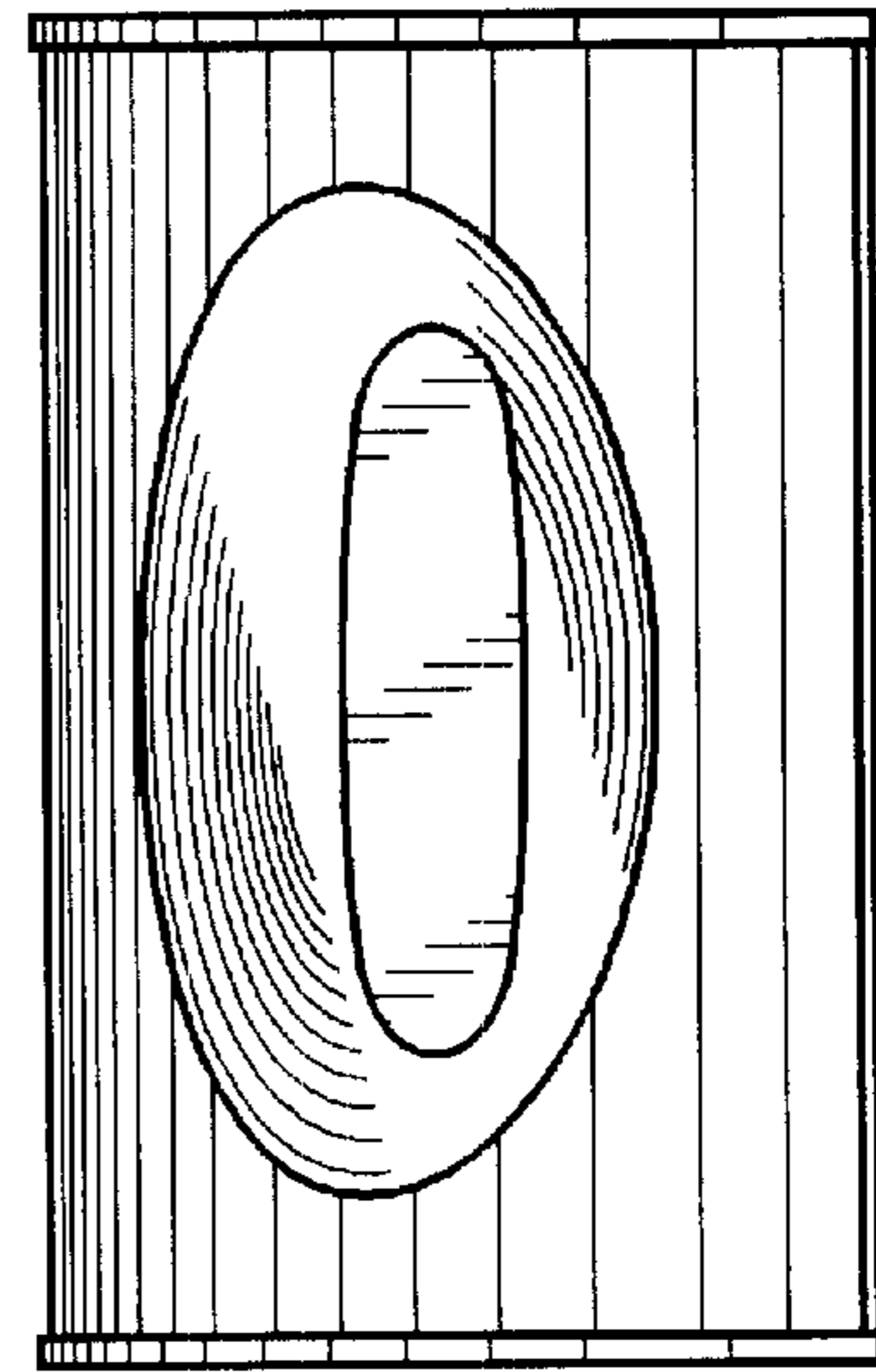


FIG. 6