



US00D482913S

(12) **United States Design Patent**
Lingvall

(10) **Patent No.:** **US D482,913 S**

(45) **Date of Patent:** **** Dec. 2, 2003**

(54) **SHELF PARTITION**

4,081,100 A * 3/1978 Presby 220/544
D473,080 S * 4/2003 Kellogg D6/491

(75) Inventor: **Magnus Lingvall**, Stockholm (SE)

* cited by examiner

(73) Assignee: **Sintek International AB**, Stockholm (SE)

Primary Examiner—Cathron C. Brooks

(**) Term: **14 Years**

(74) *Attorney, Agent, or Firm*—Greer, Burns & Crain, Ltd.

(21) Appl. No.: **29/163,611**

(22) Filed: **Jul. 9, 2002**

(57) **CLAIM**

The ornamental design for a shelf partition, as shown and described.

(30) **Foreign Application Priority Data**

DESCRIPTION

Jan. 28, 2002 (SE) 02-0139

FIG. 1 is a perspective view of the present new design of a shelf partition;

(51) **LOC (7) Cl.** **06-06**

FIG. 2 is a right side view thereof;

(52) **U.S. Cl.** **D6/509; D6/491; D6/511**

FIG. 3 is a left side view thereof;

(58) **Field of Search** D6/396, 408, 491, D6/509, 510, 511; 108/60; 211/59.4, 183, 184

FIG. 4 is a top view of the orientation of the partition shown in FIG. 1;

FIG. 5 is a bottom view of thereof;

(56) **References Cited**

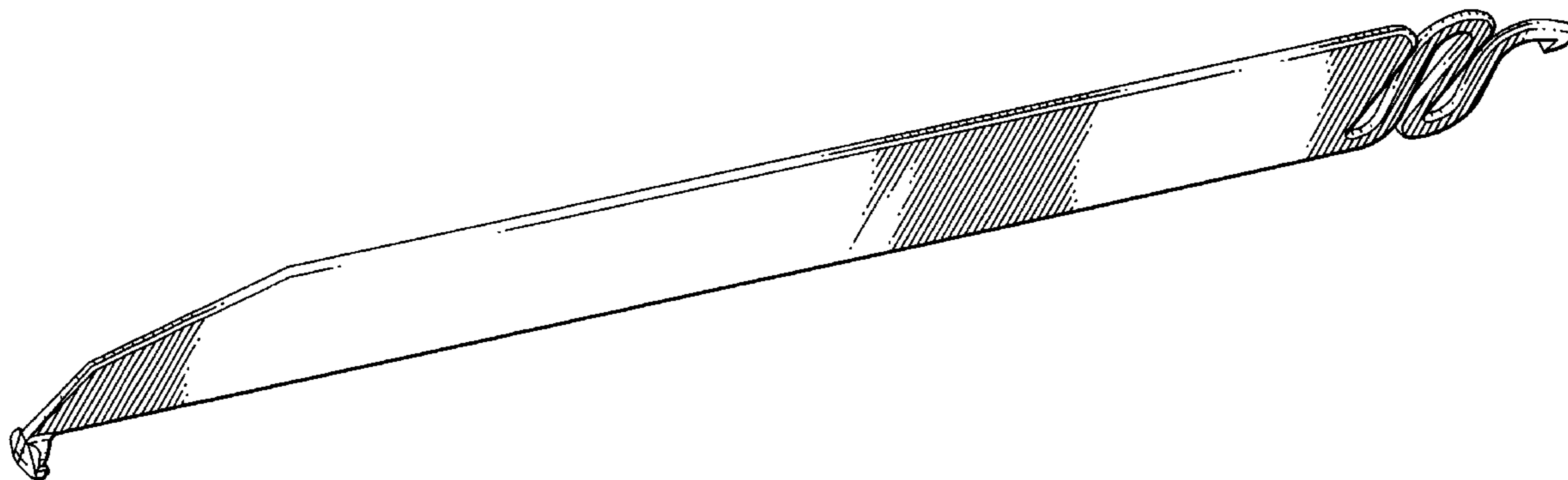
FIG. 6 is a front view thereof; and,

FIG. 7 is a rear view thereof.

U.S. PATENT DOCUMENTS

3,780,876 A * 12/1973 Elkins 211/184

1 Claim, 2 Drawing Sheets



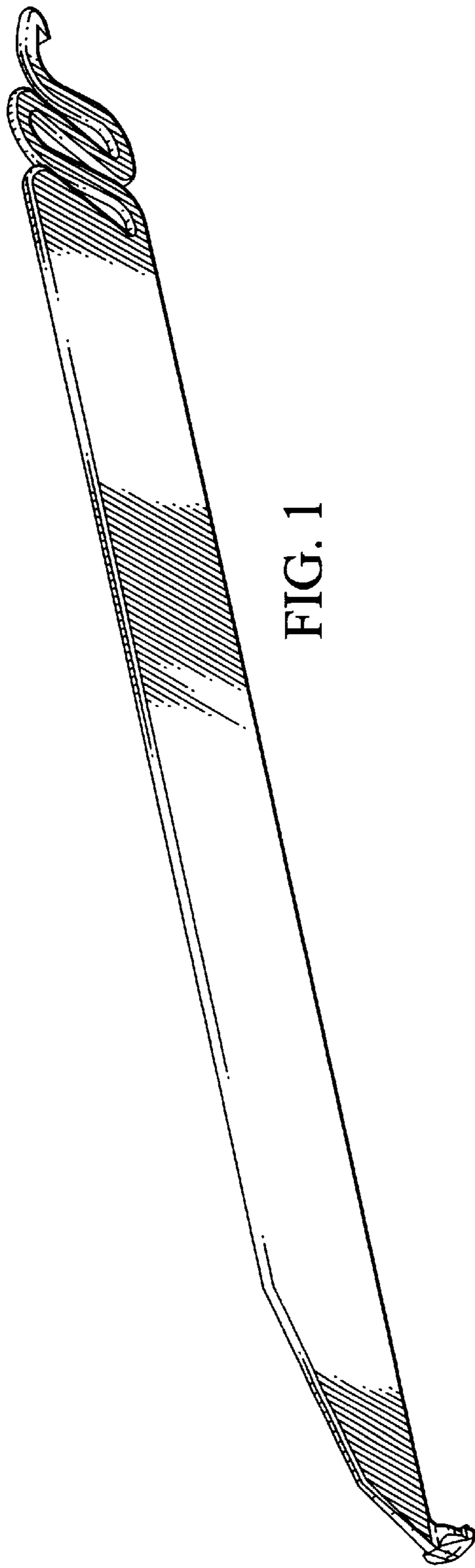


FIG. 1

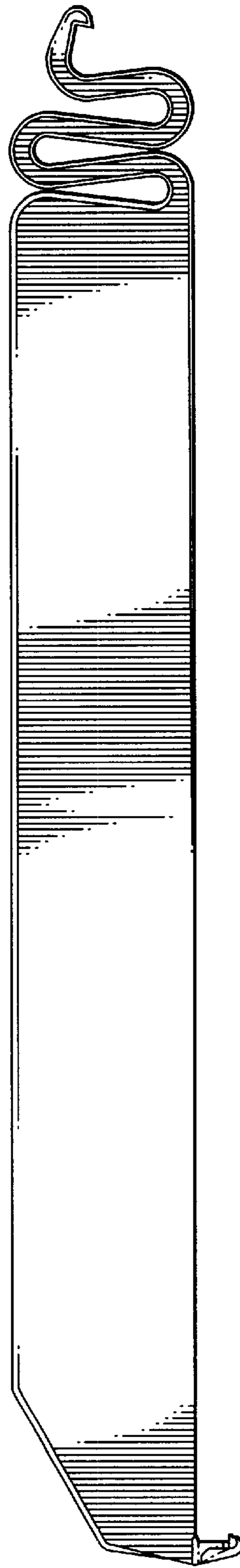


FIG. 2

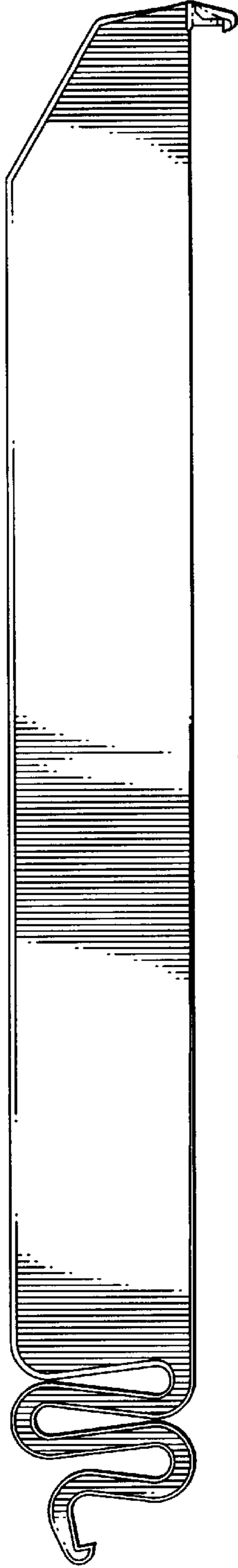


FIG. 3



FIG. 4



FIG. 5



FIG. 6



FIG. 7