



US00D482912S

(12) **United States Design Patent**
Curotto, Jr.

(10) **Patent No.:** **US D482,912 S**

(45) **Date of Patent:** **** Dec. 2, 2003**

(54) **REPLACEMENT LEG SEGMENT FOR WAREHOUSE RACK**

Primary Examiner—Cathron C. Brooks
(74) *Attorney, Agent, or Firm*—R. Michael West

(76) **Inventor:** **Luis F. Green Curotto, Jr.**, 1721
Wallace La., Ceres, CA (US) 95307

(57) **CLAIM**

(**) **Term:** **14 Years**

The ornamental design for a replacement leg segment for warehouse rack, as shown and described.

(21) **Appl. No.:** **29/154,968**

DESCRIPTION

(22) **Filed:** **Feb. 1, 2002**

(51) **LOC (7) Cl.** **06-06**

FIG. 1 is a perspective view of the rear of a replacement lower leg segment for warehouse rack, showing my new design;

(52) **U.S. Cl.** **D6/495**

FIG. 2 is a rear elevational view, thereof;

(58) **Field of Search** D6/396, 397, 400,
D6/495, 496; 248/127, 188.8, 346.01, 346.02,
346.5; 312/351.3, 351.8

FIG. 3 is an elevational view of one side, thereof; the other side elevational view being substantially a mirror image, thereof;

(56) **References Cited**

FIG. 4 is a front elevational view, thereof;

U.S. PATENT DOCUMENTS

FIG. 5 is a top plan view, thereof;

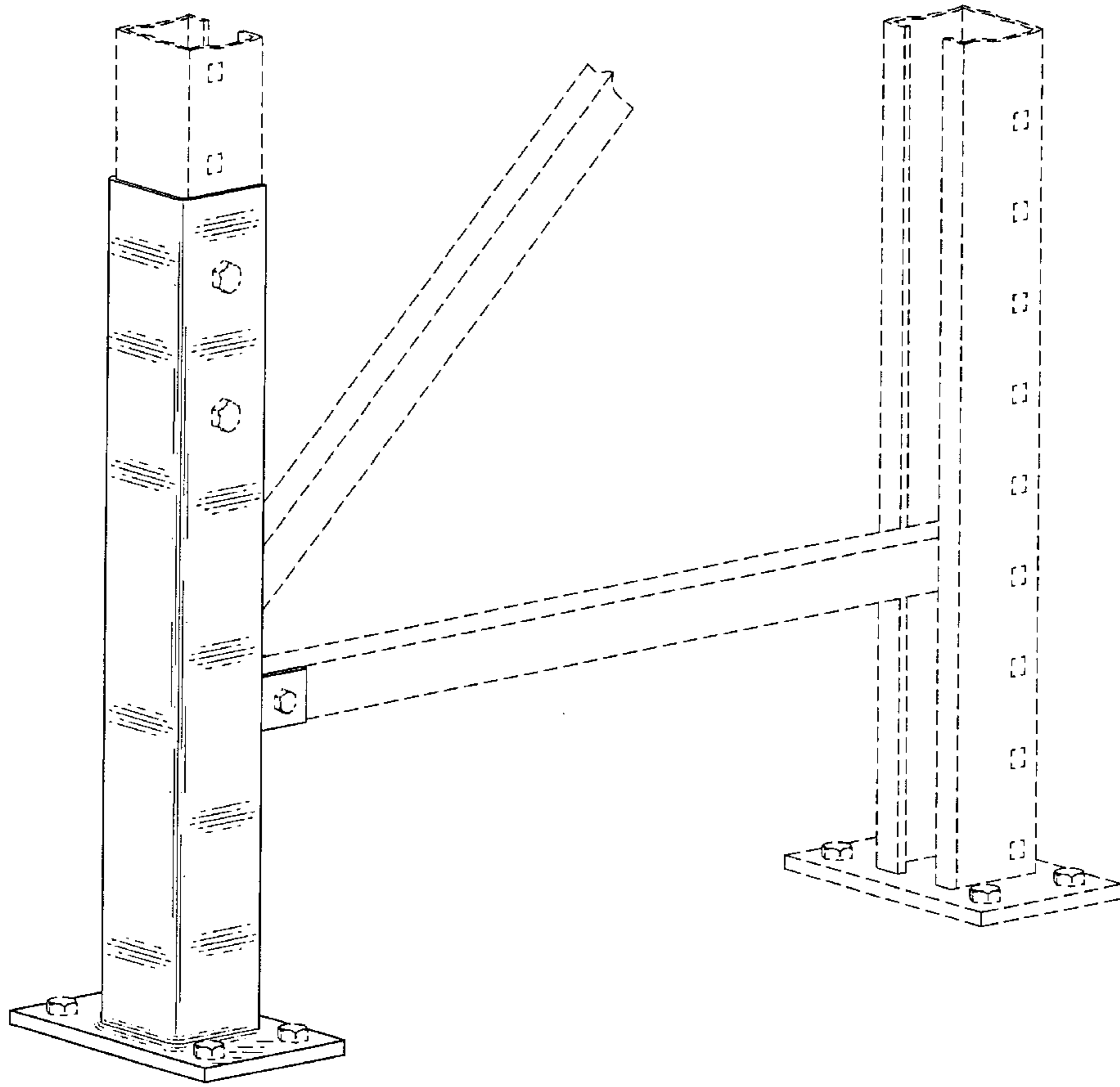
3,210,035	A	*	10/1965	Vincens	248/188.8
D233,396	S	*	10/1974	Arnal	D6/495
D260,215	S	*	8/1981	O'Neil	D6/495
4,384,699	A	*	5/1983	Berger	248/188.8 X
4,496,125	A	*	1/1985	Walsh et al.	248/188.8
6,086,028	A	*	7/2000	Pfister	248/188.8
6,520,460	B2	*	2/2003	Hallberg et al.	248/188.5

FIG. 6 is a bottom plan view, thereof; and,

FIG. 7 is a right front perspective of the article, taken to a reduced scale, the broken line representation of an opposing rack leg and the associated brace members being included solely for illustrative purposes, forming no part of the claimed design.

* cited by examiner

1 Claim, 3 Drawing Sheets



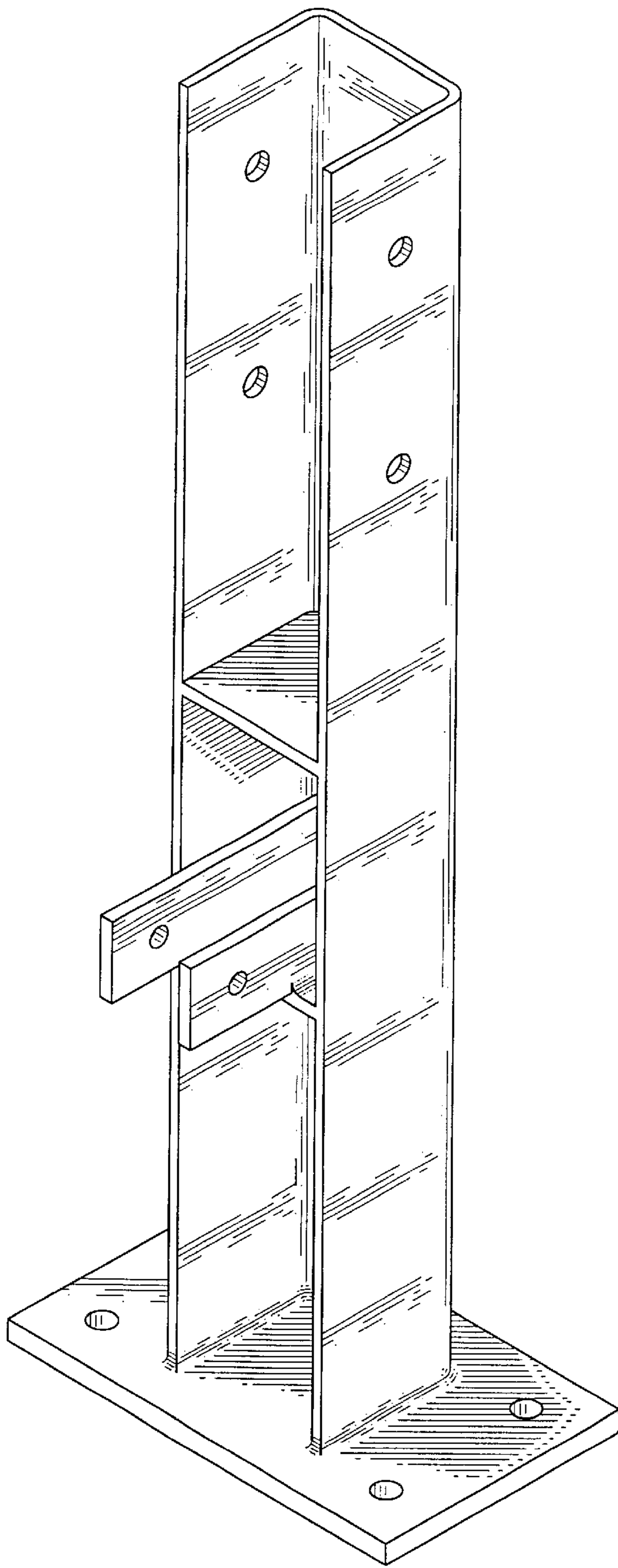


Fig. 1

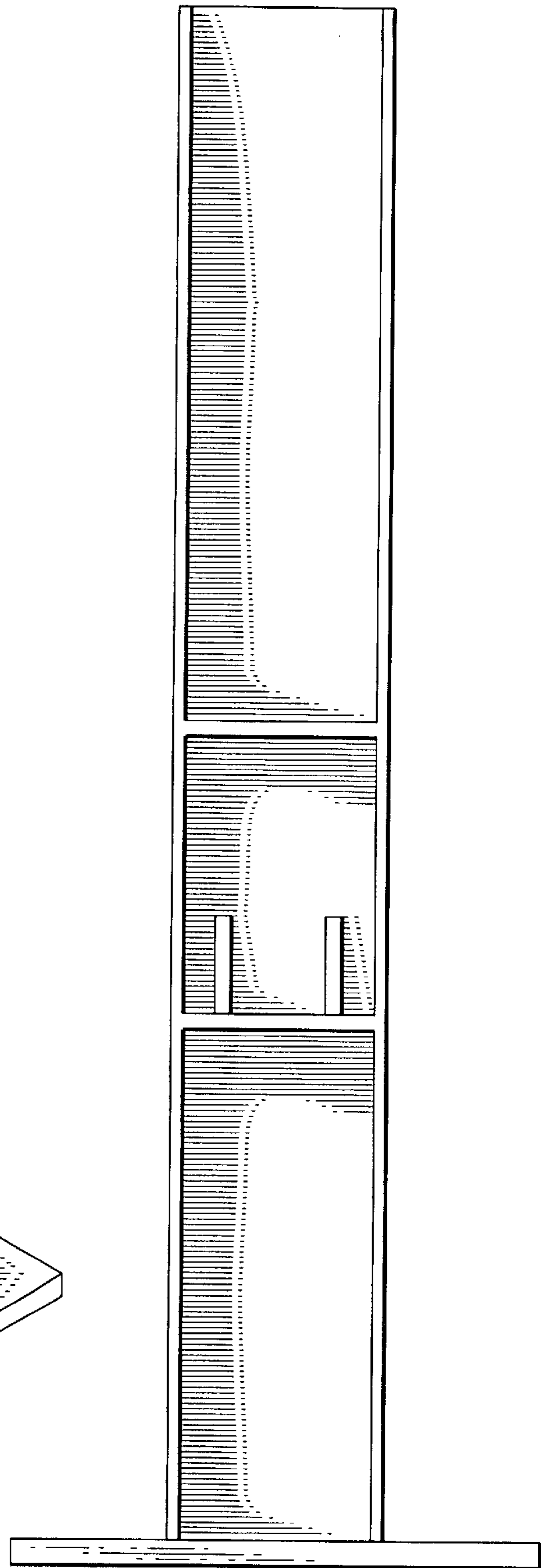


Fig. 2

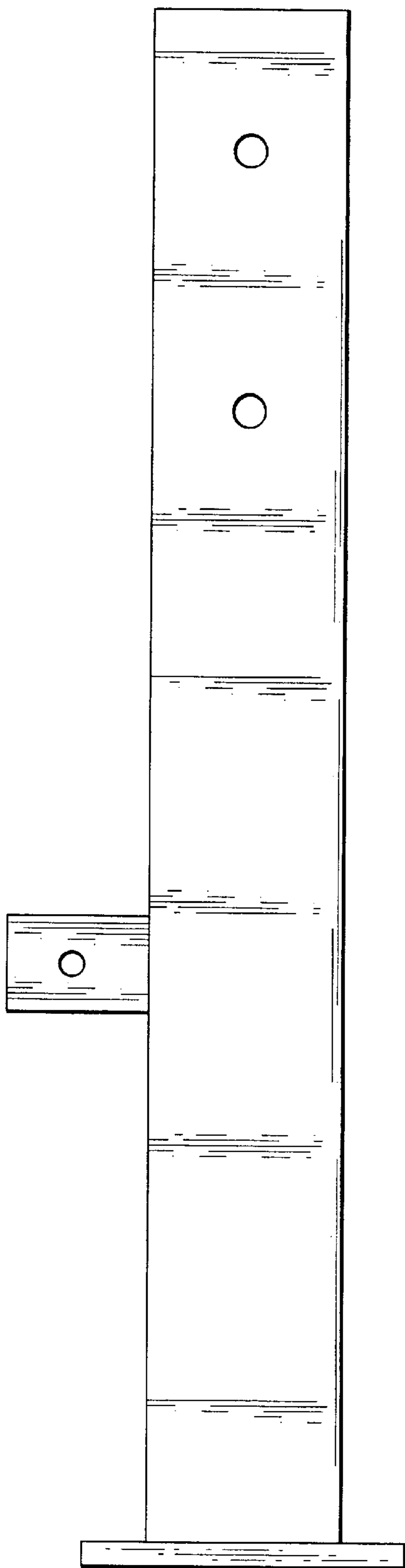


Fig. 3

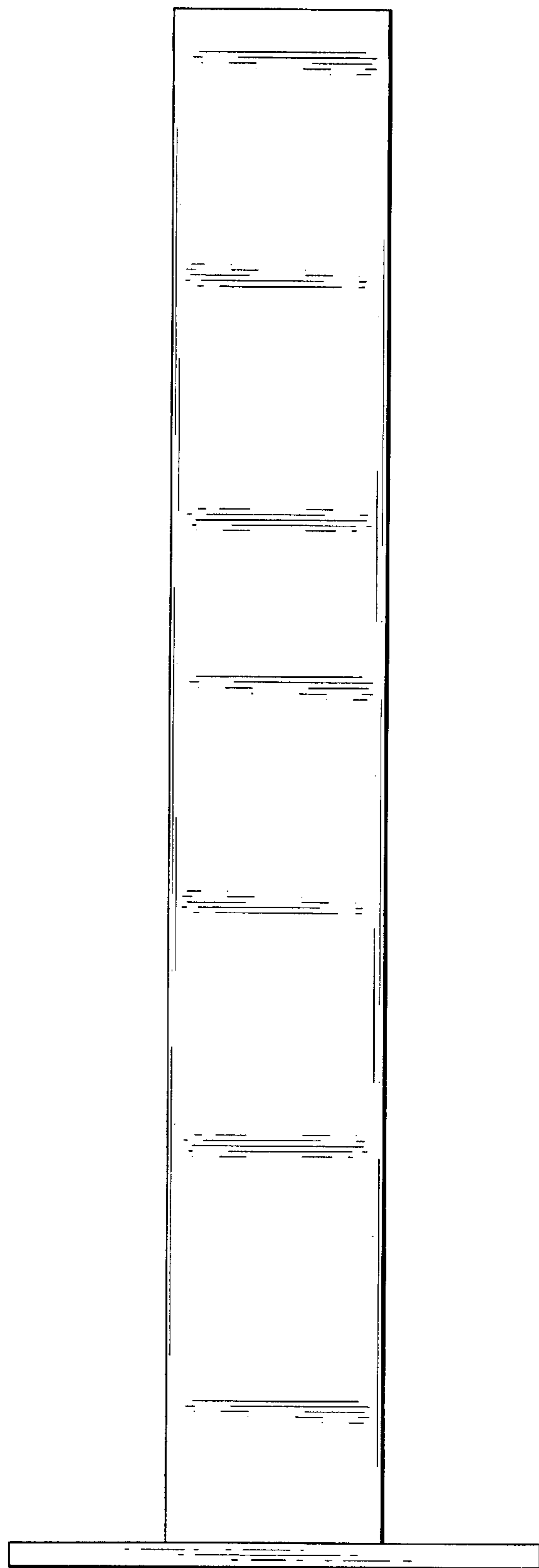


Fig. 4

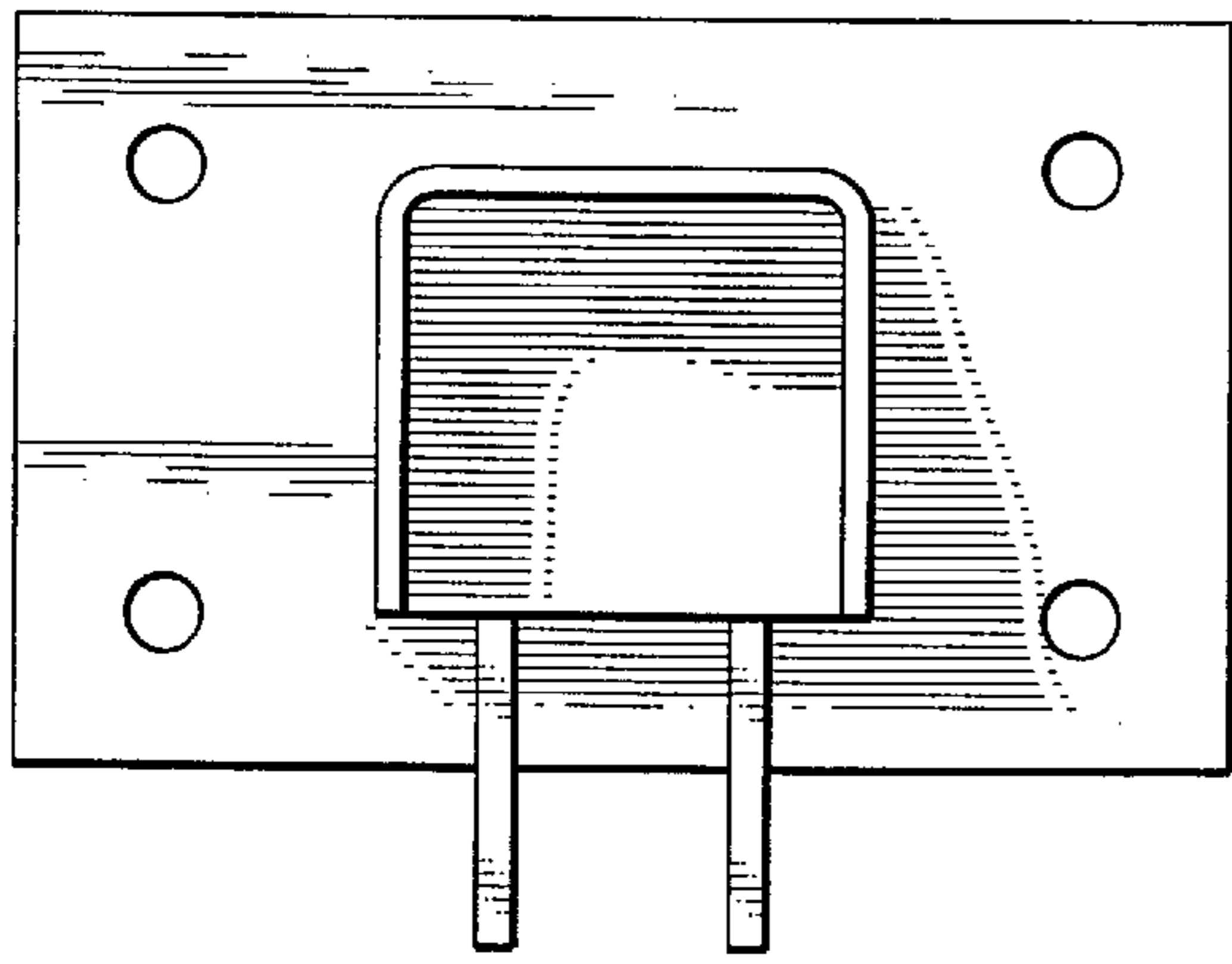


Fig. 5

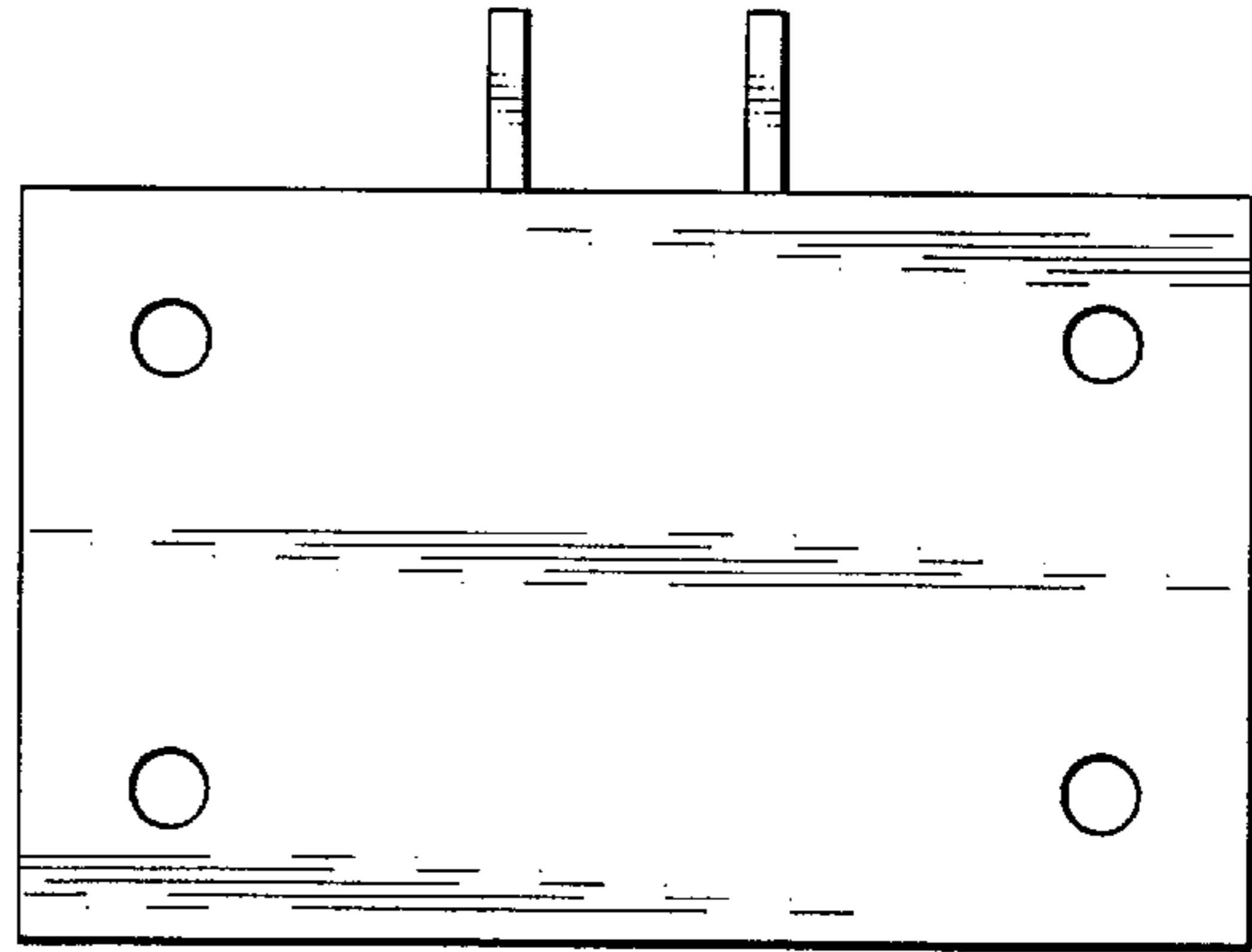


Fig. 6

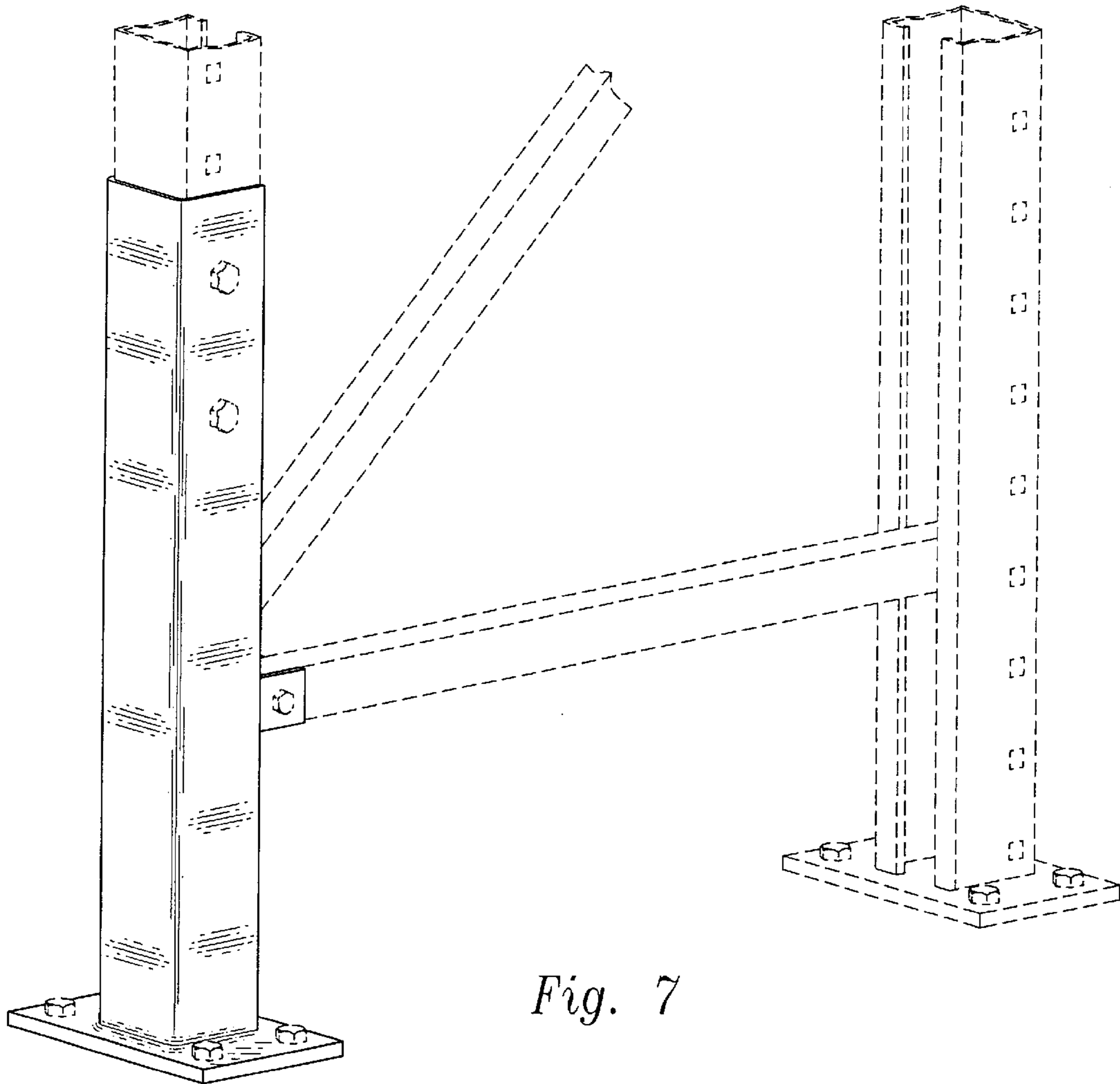


Fig. 7