



US00D482911S

(12) **United States Design Patent**
Pathiratne

(10) **Patent No.:** **US D482,911 S**

(45) **Date of Patent:** **** Dec. 2, 2003**

(54) **END FRAME FOR FURNITURE**

(57) **CLAIM**

(76) **Inventor:** **S. Sean Pathiratne**, 506 Landfair Cir.,
San Jose, CA (US) 95136

The ornamental design of an end frame for furniture, as shown and described.

(**) **Term:** **14 Years**

DESCRIPTION

(21) **Appl. No.:** **29/156,412**

FIG. 1 is a perspective view of an end frame for illustrating the features of the invention relating to the end portion in solid lines, and in broken lines to show the environment in which the invention is claimed, with the broken lines not forming a part of the claimed design;

(22) **Filed:** **Feb. 28, 2002**

(51) **LOC (7) Cl.** **06-06**

(52) **U.S. Cl.** **D6/492**

(58) **Field of Search** D6/334, 335, 336,
D6/369, 371, 373, 379, 381, 492, 500,
501, 502; 5/12.1; 297/232

FIG. 2 is a frontal view of the end frame shown in FIG. 1, with the understanding that the back view is a mirror image of the frontal view;

(56) **References Cited**

U.S. PATENT DOCUMENTS

D225,147 S	*	11/1972	Fisher	D6/369
D249,410 S	*	9/1978	Dranger et al.	D6/369
D255,962 S	*	7/1980	Wilson	D6/373
D272,488 S	*	2/1984	Long	D6/369
D433,579 S	*	11/2000	Kane	D6/379

FIG. 3 is an end view of the end frame shown in FIG. 2; FIG. 4 is an end view of the end frame shown in FIG. 2, taken from the opposing end of the end view shown in FIG. 3;

* cited by examiner

FIG. 5 is a top down view of the end frame shown in FIG. 2; and,

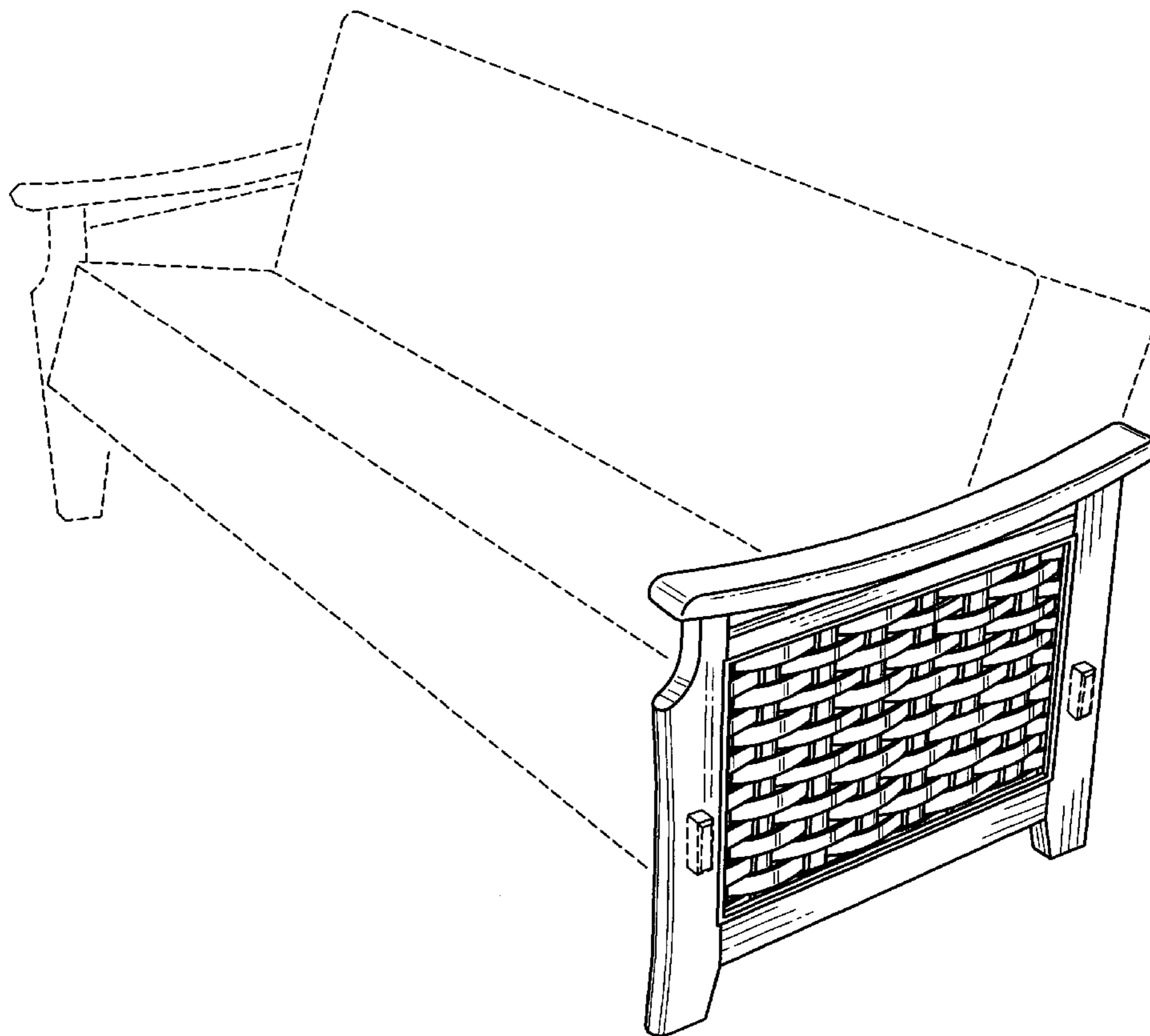
Primary Examiner—Gary D. Watson

(74) *Attorney, Agent, or Firm*—Kenneth C. Brooks

FIG. 6 is a frontal view of another embodiment of the present invention showing the interleaved slats being formed from a fabric material.

It is submitted that the bottom view of the end frame does not form any part of the claimed design.

1 Claim, 3 Drawing Sheets



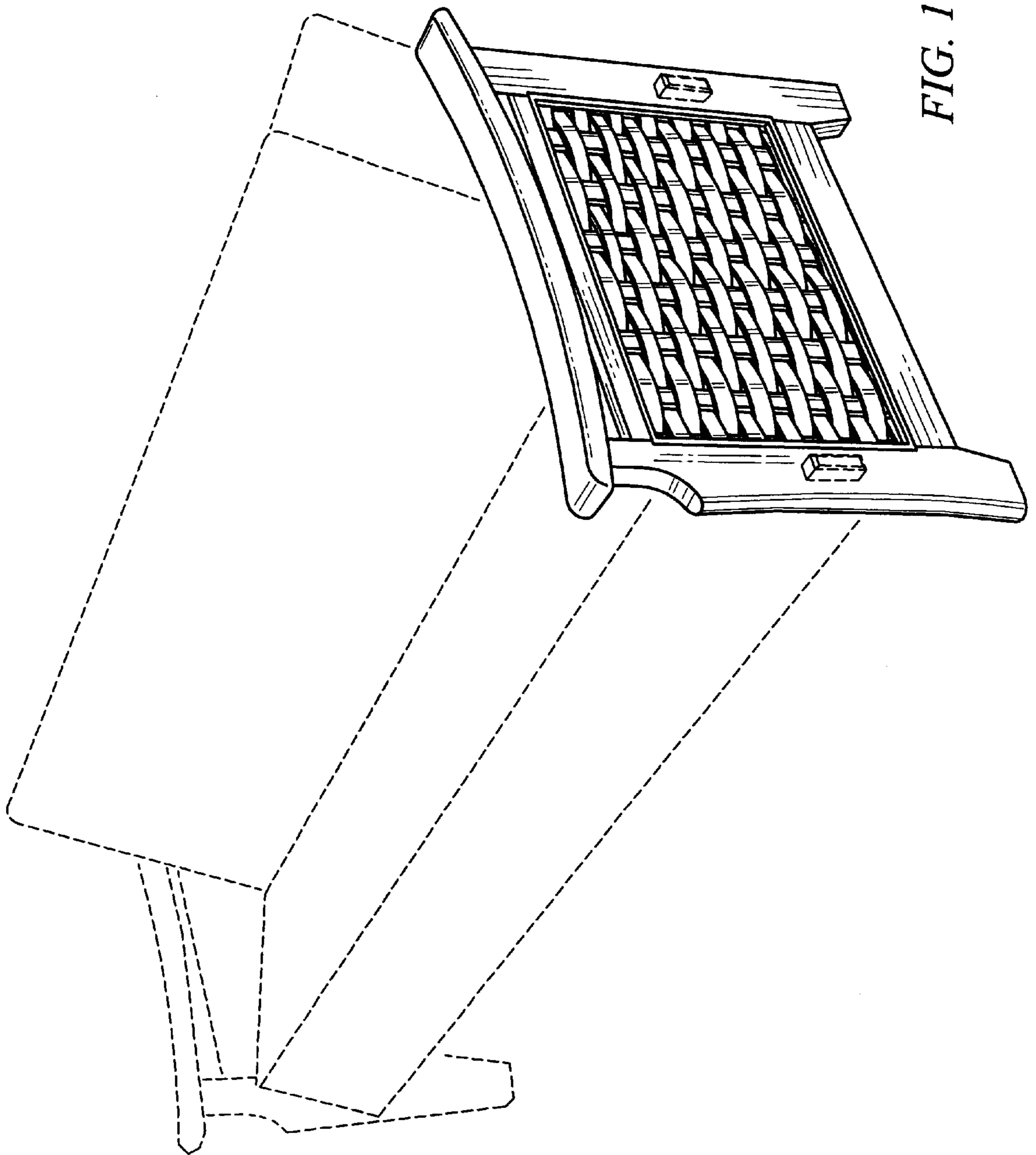


FIG. 1

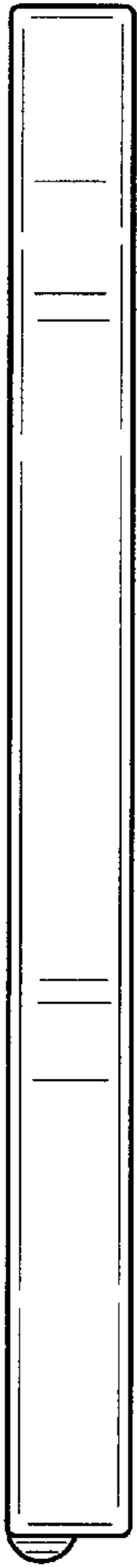


FIG. 5

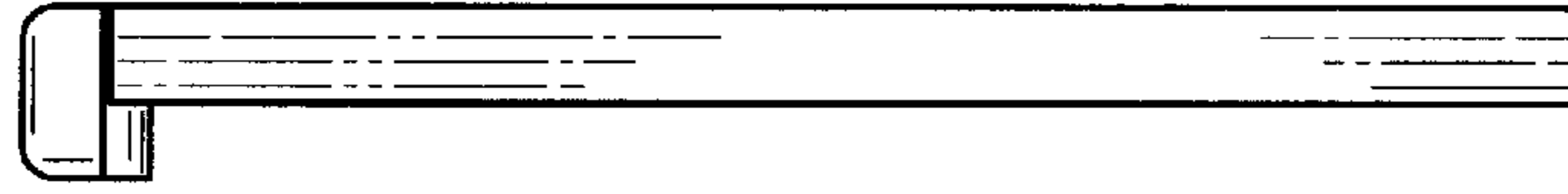


FIG. 4

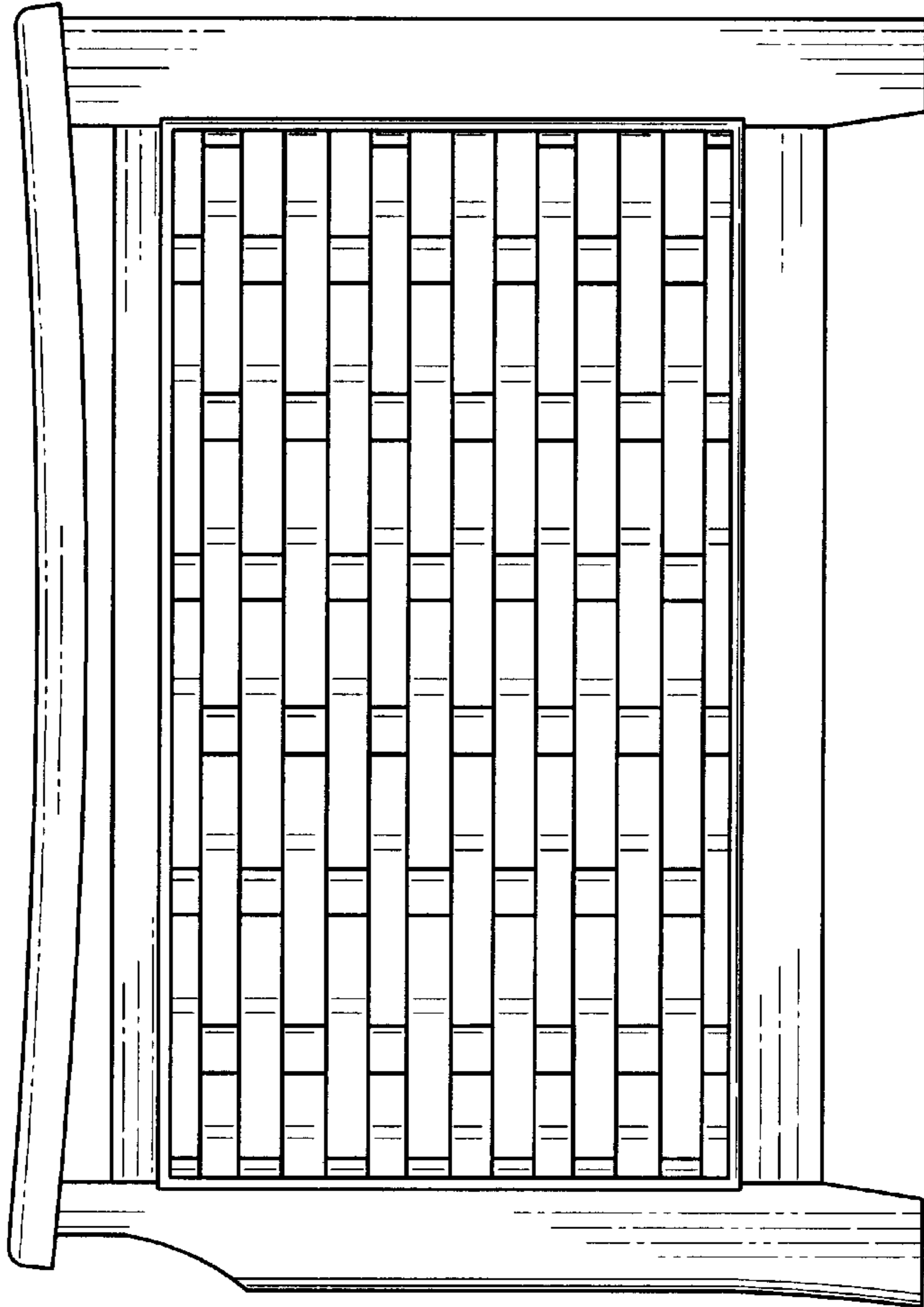


FIG. 2

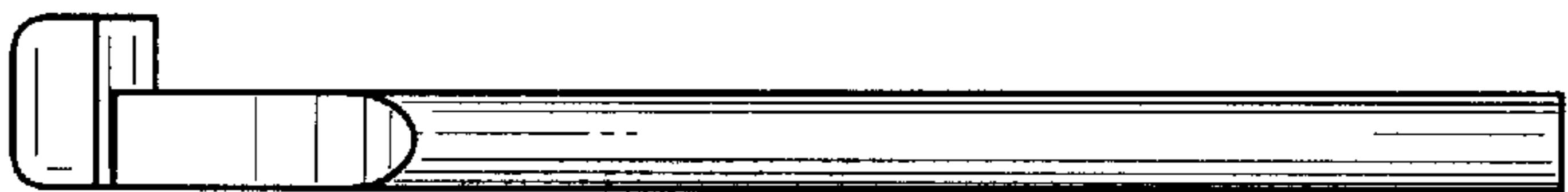


FIG. 3

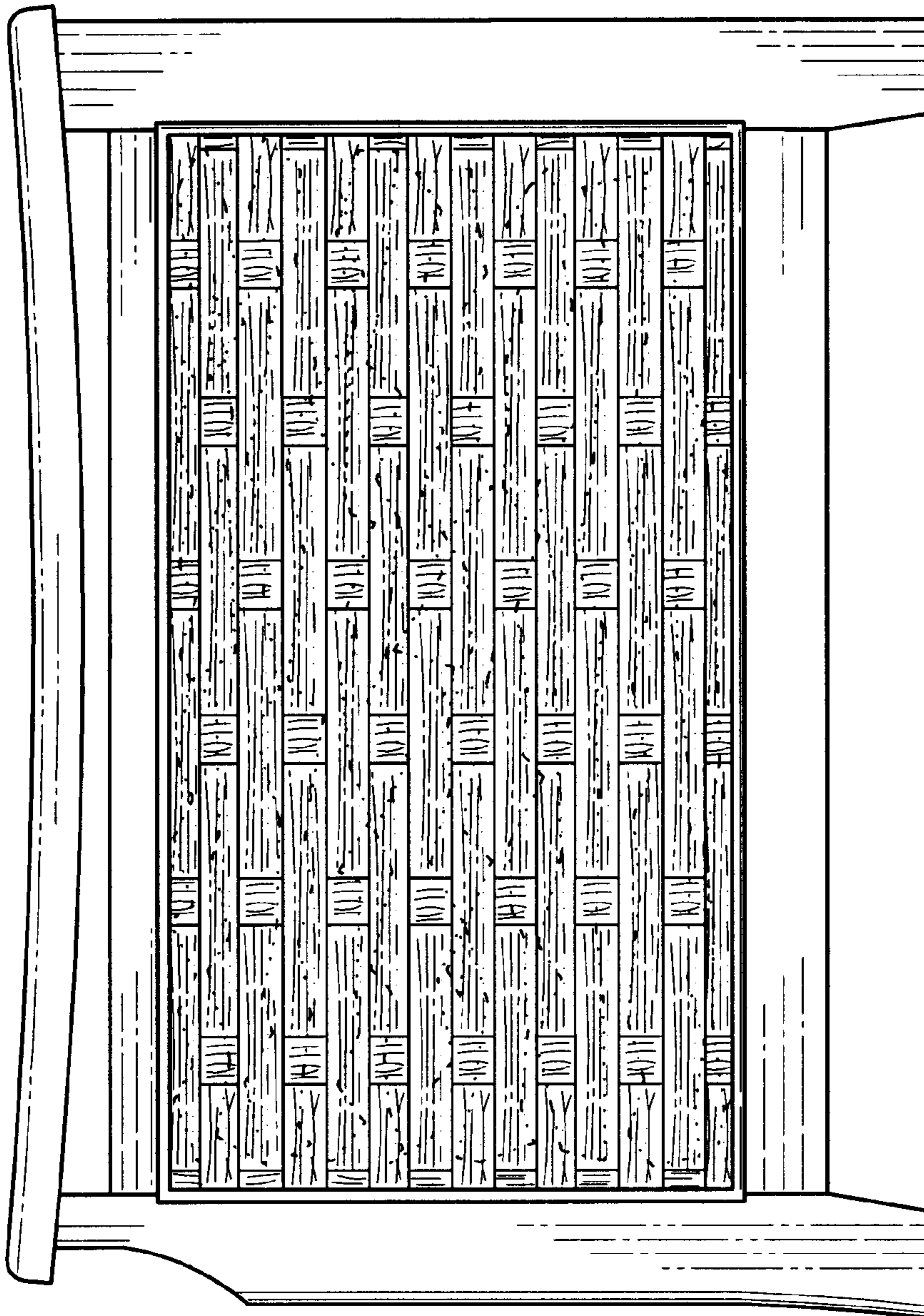


FIG. 6