



US00D482909S

(12) **United States Design Patent** (10) **Patent No.:** **US D482,909 S**
Neggers (45) **Date of Patent:** **** Dec. 2, 2003**

(54) **TABLE**

(76) Inventor: **Johannes Cornelis Maria Neggers**,
Boschstraat 17, NL-4811 Ga Breda
(NL)
(**) Term: **14 Years**
(21) Appl. No.: **29/171,777**
(22) Filed: **Nov. 27, 2002**
(51) **LOC (7) Cl.** **06-03**
(52) **U.S. Cl.** **D6/486**
(58) **Field of Search** D6/480-489, 495,
D6/511, 429; 108/150, 153.1, 155, 156,
157.1, 157.17, 161; 248/188, 188.1, 188.8

(56) **References Cited**

U.S. PATENT DOCUMENTS

3,223,056 A * 12/1965 Wilburn 108/150
D203,603 S * 2/1966 Poletika D6/483
D234,932 S * 4/1975 Burke et al. D6/486
D338,359 S * 8/1993 Sorenson D6/486
D436,270 S * 1/2001 Kane D6/486
D440,081 S * 4/2001 Jeup D6/486

OTHER PUBLICATIONS

International Design Registration, International Deposit No. DM/057 092, World Intellectual Property Organization (WIPO), The Hague Agreement Concerning The International Deposit of Industrial Designs, Geneva, Oct. 4, 2001, (5 pgs.).

* cited by examiner

Primary Examiner—Janice E. Seeger
(74) *Attorney, Agent, or Firm*—Bell, Boyd & Lloyd LLC

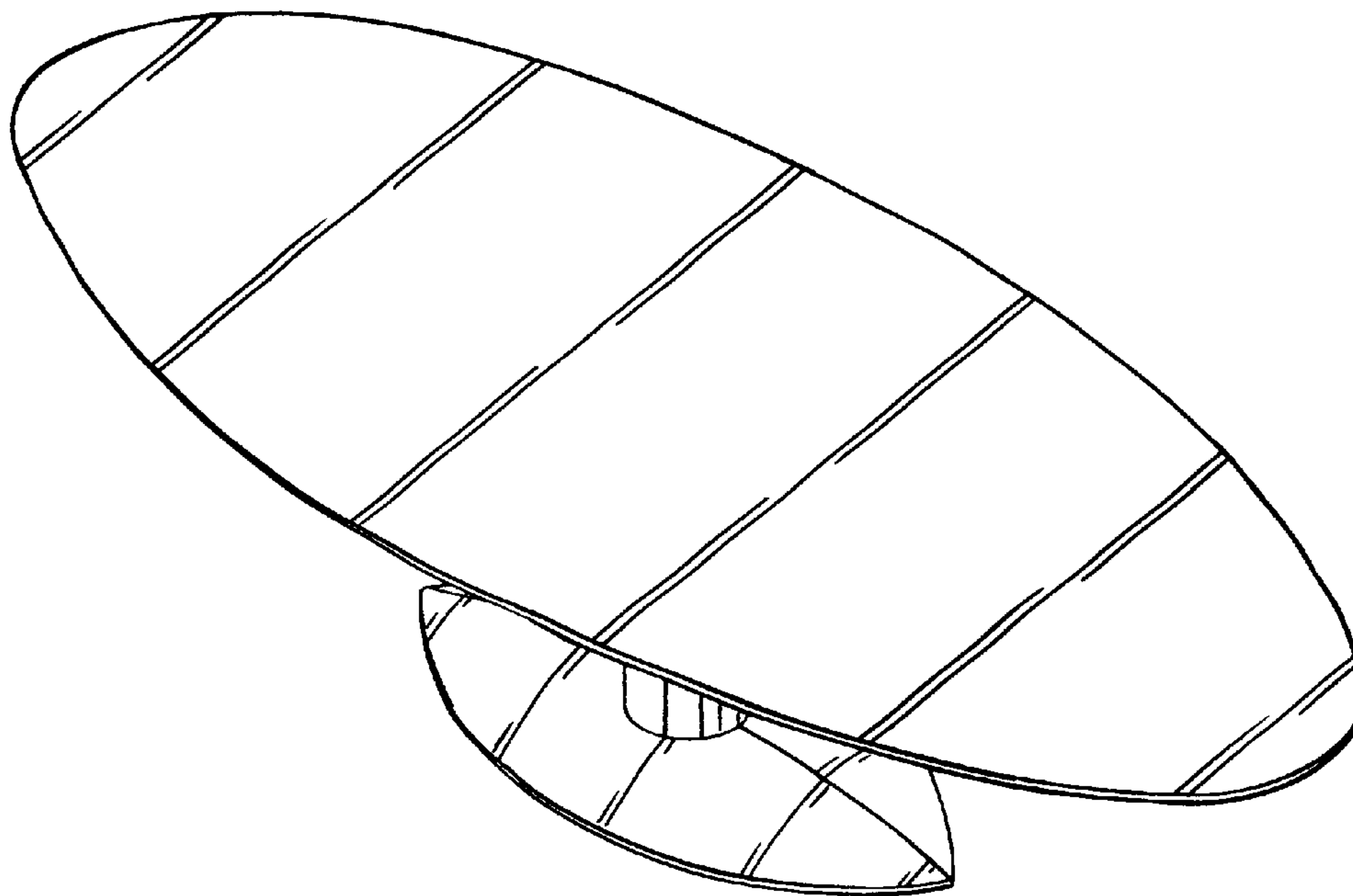
(57) **CLAIM**

The ornamental design for a table, as shown and described.

DESCRIPTION

FIG. 1 illustrates is a top perspective view of a table of the present invention.
FIG. 2 illustrates a bottom perspective view thereof.
FIG. 3 illustrates a front elevational view thereof.
FIG. 4 illustrates a top plan view thereof.
FIG. 5 illustrates a side elevational view thereof; and,
FIG. 6 illustrates a bottom plan view thereof.

1 Claim, 2 Drawing Sheets



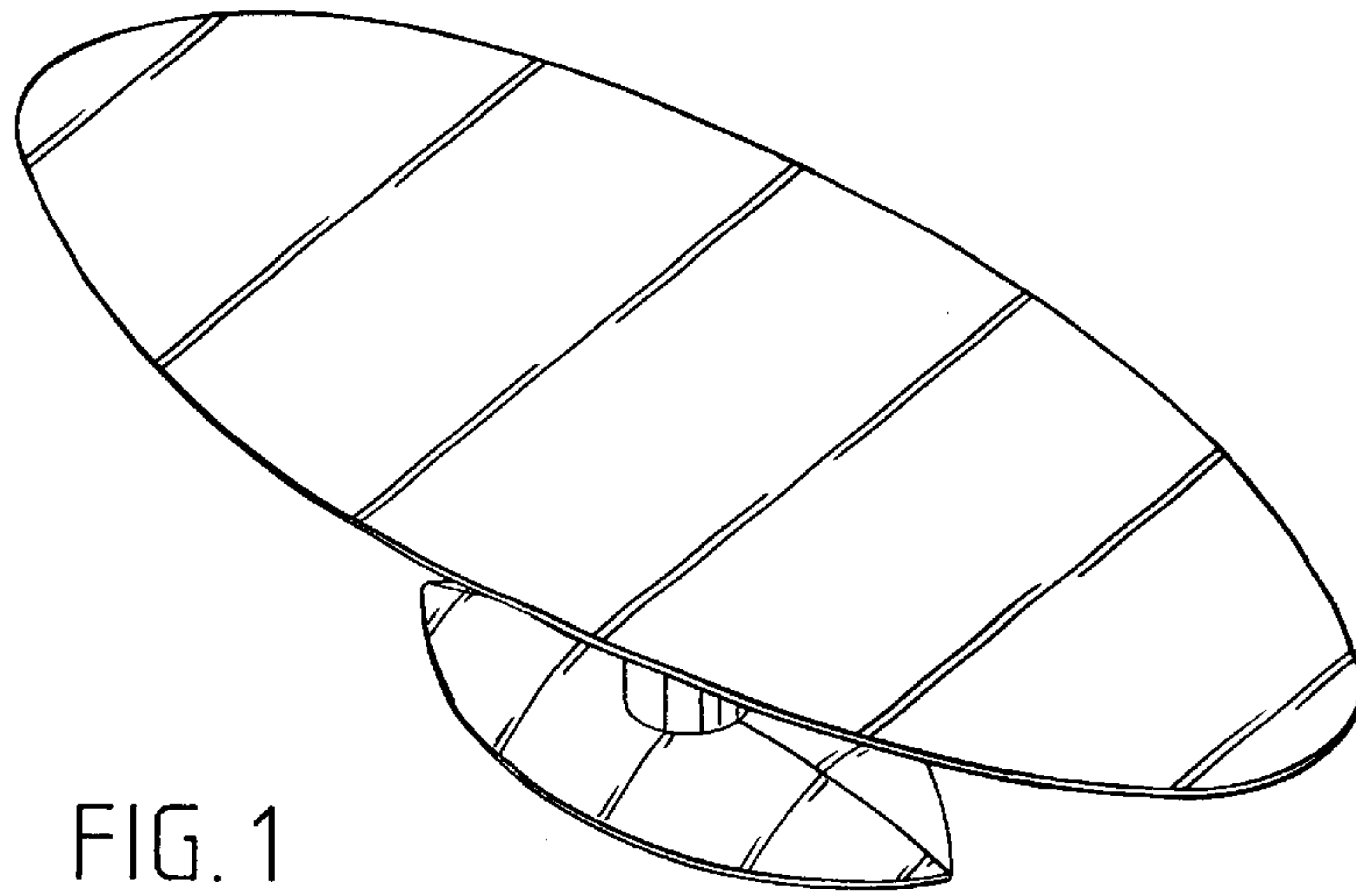


FIG. 1

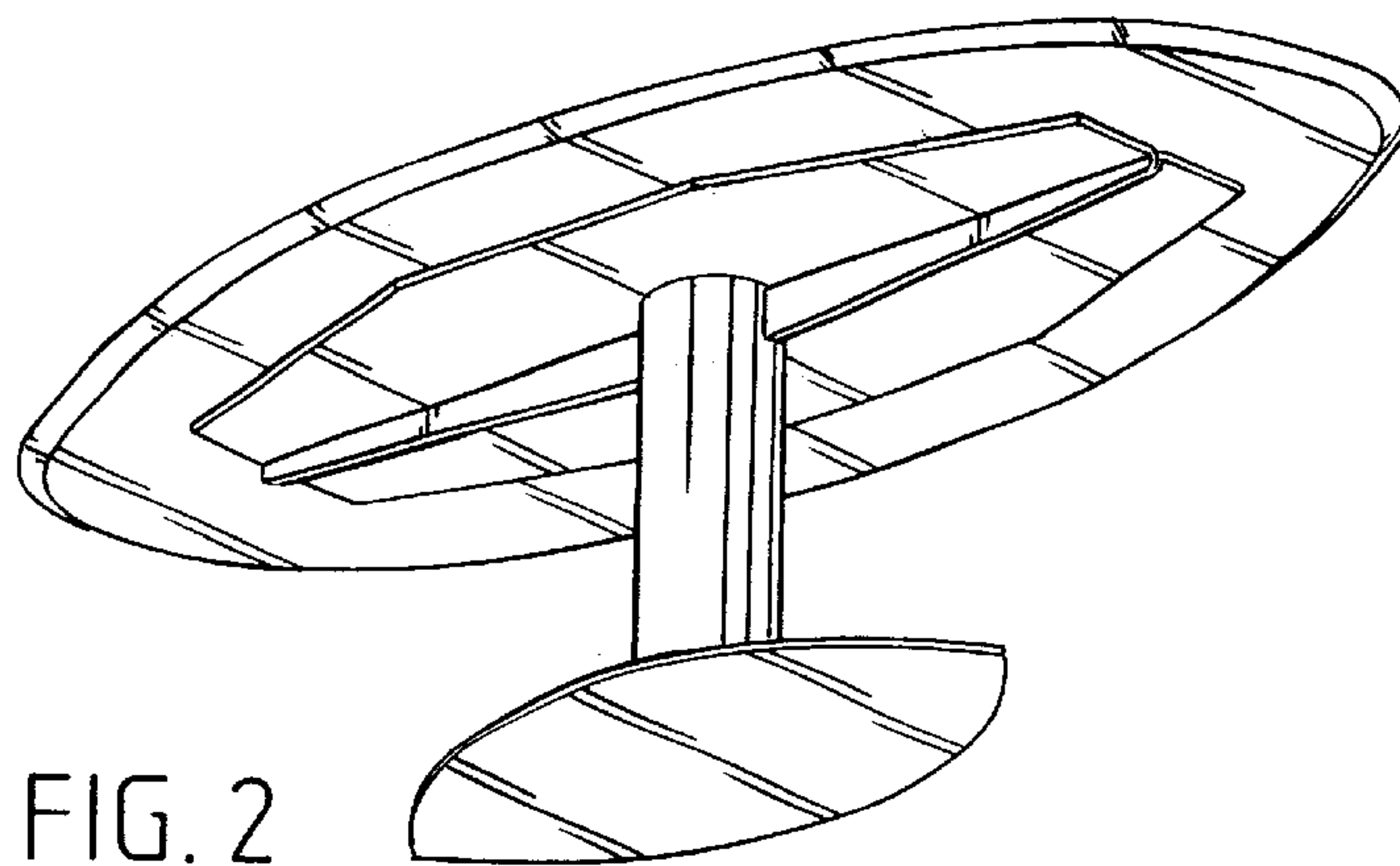


FIG. 2

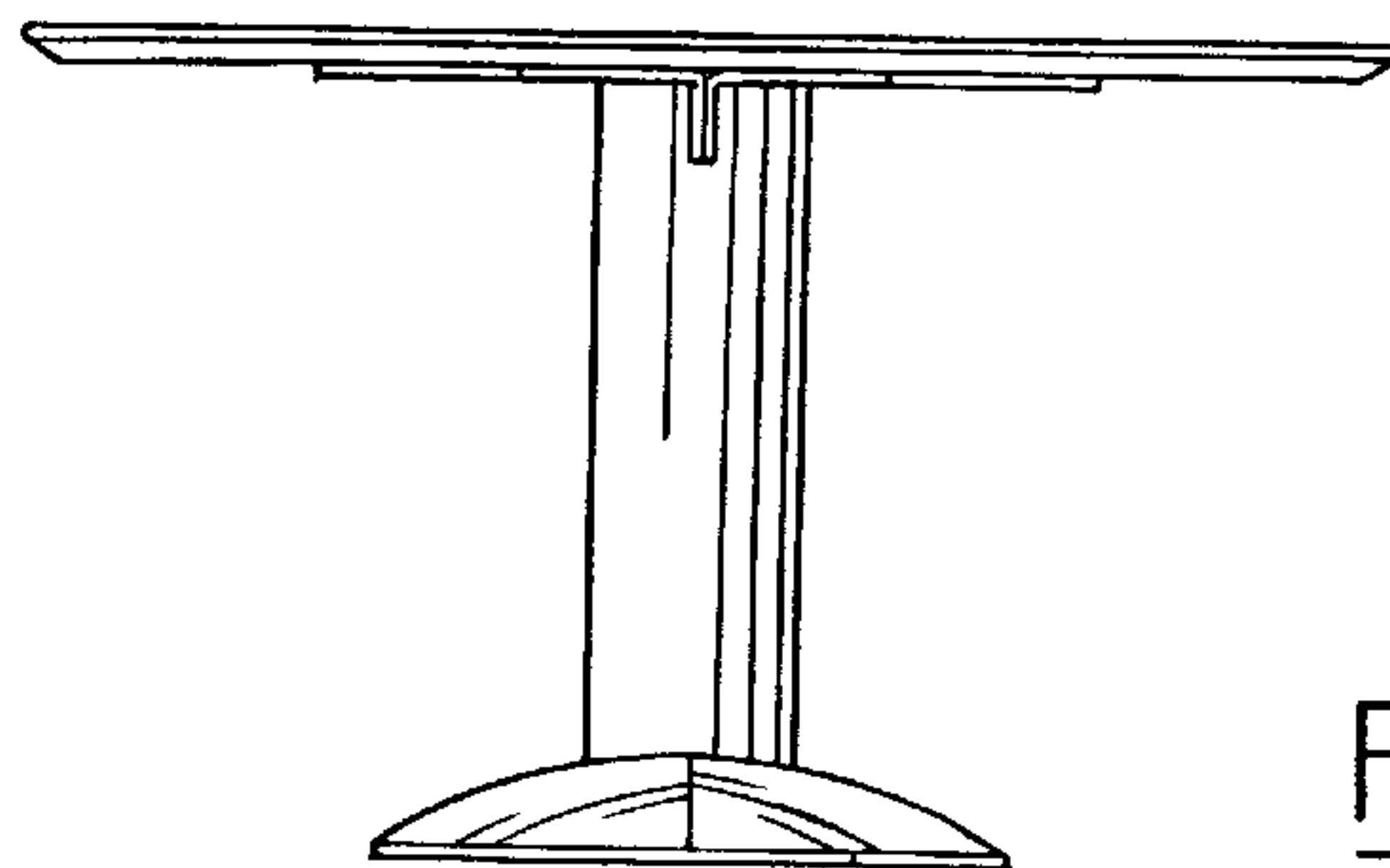


FIG. 3

FIG. 4

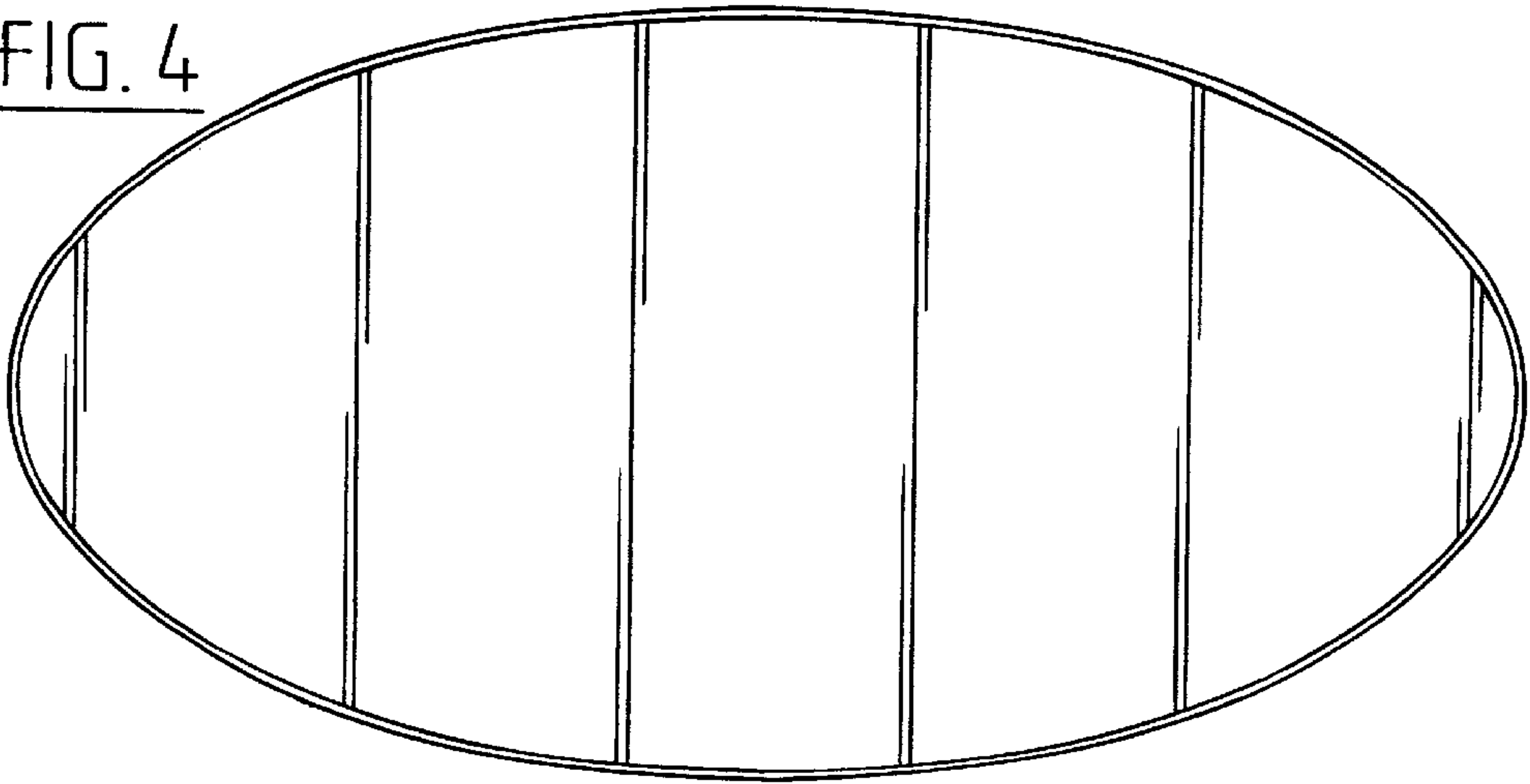


FIG. 5

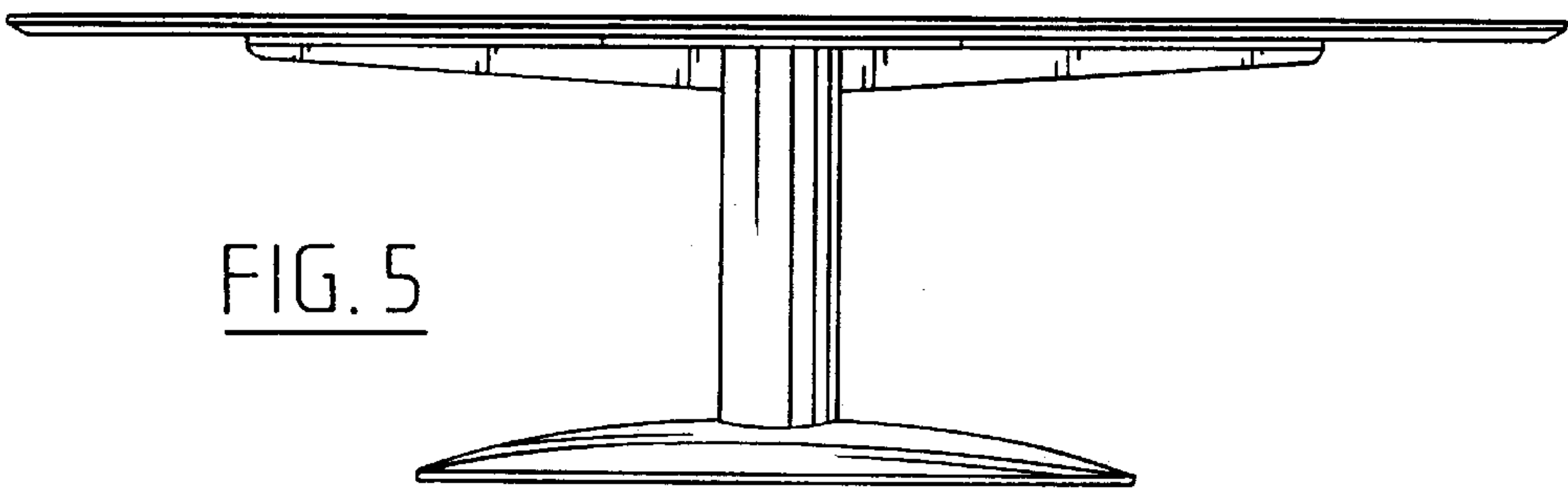


FIG. 6

