



US00D482908S

(12) **United States Design Patent**
Kim

(10) **Patent No.:** **US D482,908 S**

(45) **Date of Patent:** **** Dec. 2, 2003**

(54) **TRAY**

(75) **Inventor:** **Dae Jin Kim**, Bayside, NY (US)

(73) **Assignee:** **Kiss Products, Inc.**, Port Washington, NY (US)

(**) **Term:** **14 Years**

(21) **Appl. No.:** **29/168,797**

(22) **Filed:** **Oct. 9, 2002**

(51) **LOC (7) Cl.** **06-04**

(52) **U.S. Cl.** **D6/475**

(58) **Field of Search** D6/449, 466, 467,
D6/469, 475; 211/126.1, 133.6; 312/114,
117, 118; D3/304, 314

(56) **References Cited**

U.S. PATENT DOCUMENTS

- D188,522 S * 8/1960 Preda D6/469
- 3,434,769 A * 3/1969 Salet 312/114
- D362,568 S * 9/1995 Wheeler D6/475
- D363,365 S * 10/1995 Beaudoin et al. D6/469 X

- D368,588 S * 4/1996 Goraleski et al. D6/300
- 5,586,401 A * 12/1996 Sheehan et al. 40/737
- D377,420 S * 1/1997 Slyh et al. D6/300
- D389,323 S * 1/1998 Buchert et al. D6/314
- D418,984 S * 1/2000 Koconis D6/314
- D472,739 S * 4/2003 Wimer D6/470

* cited by examiner

Primary Examiner—Cathron C. Brooks

(74) *Attorney, Agent, or Firm*—Collard & Roe, P.C.

(57) **CLAIM**

The ornamental design for a tray, as shown and described.

DESCRIPTION

FIG. 1 shows a perspective view of my design for a tray according to the invention.

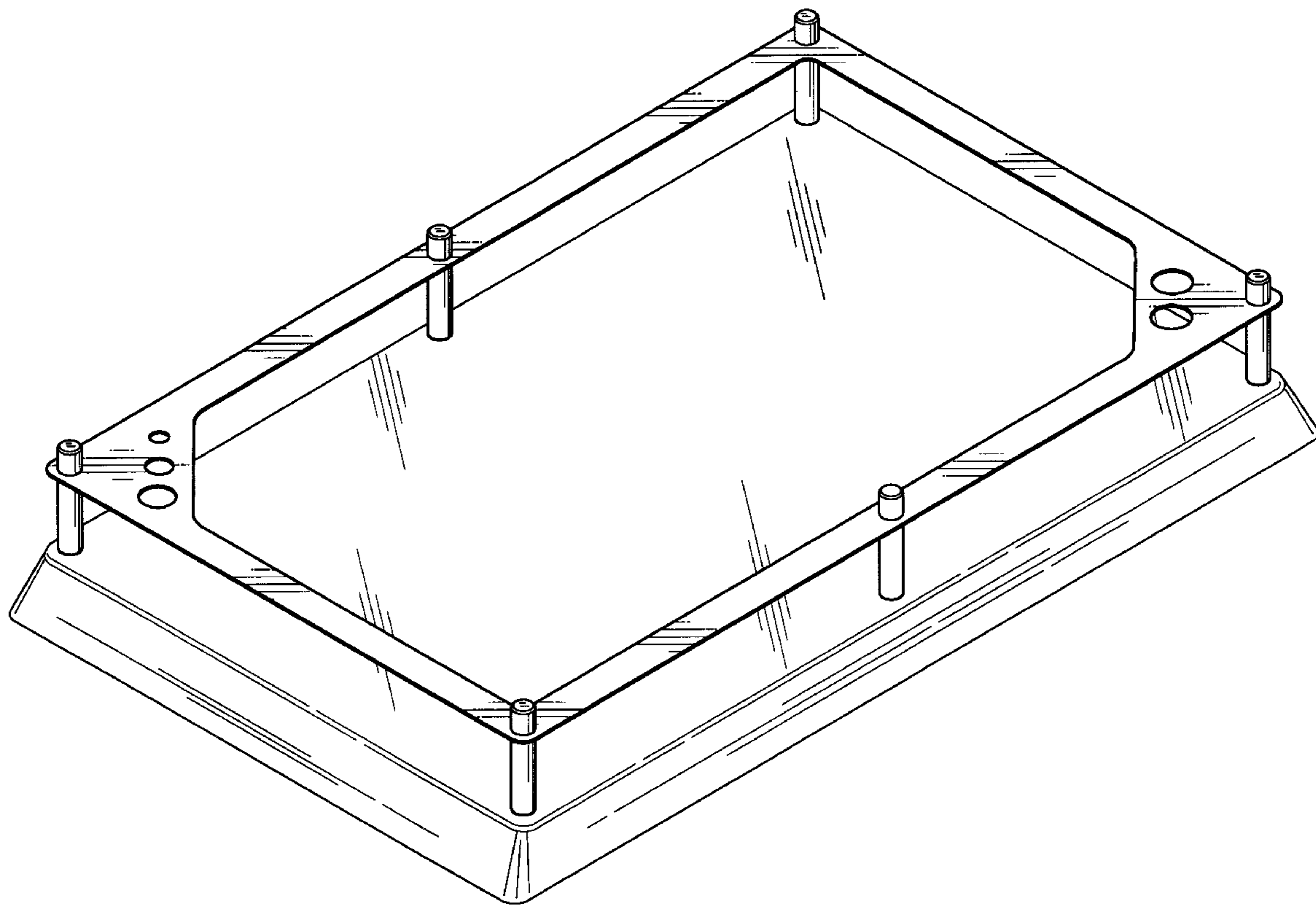
FIG. 2 shows a top view thereof.

FIG. 3 shows a side view thereof, with the opposite side view being identical.

FIG. 4 shows a bottom view thereof; and,

FIG. 5 shows a front view thereof, with the opposite side view being identical.

1 Claim, 3 Drawing Sheets



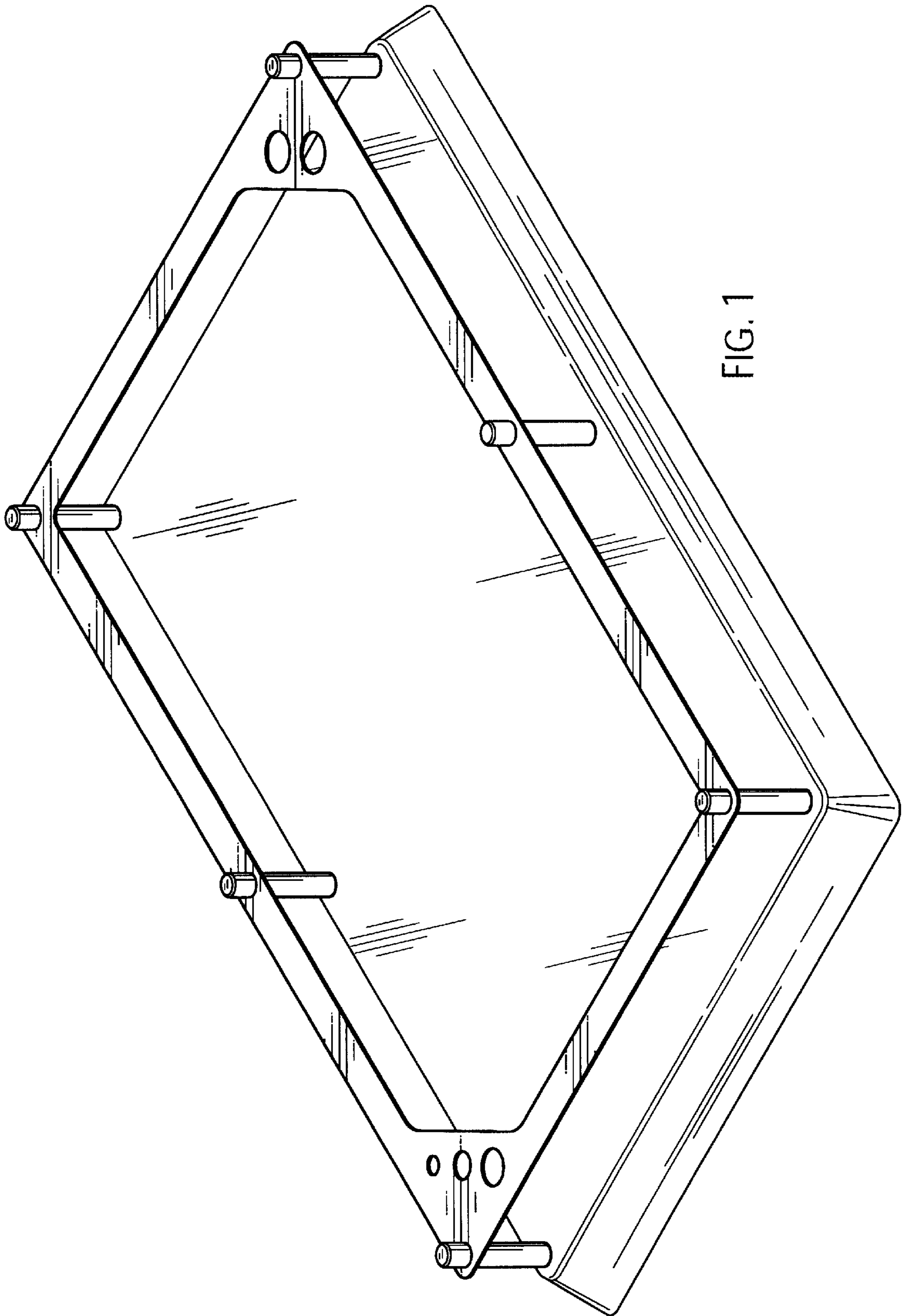


FIG. 1

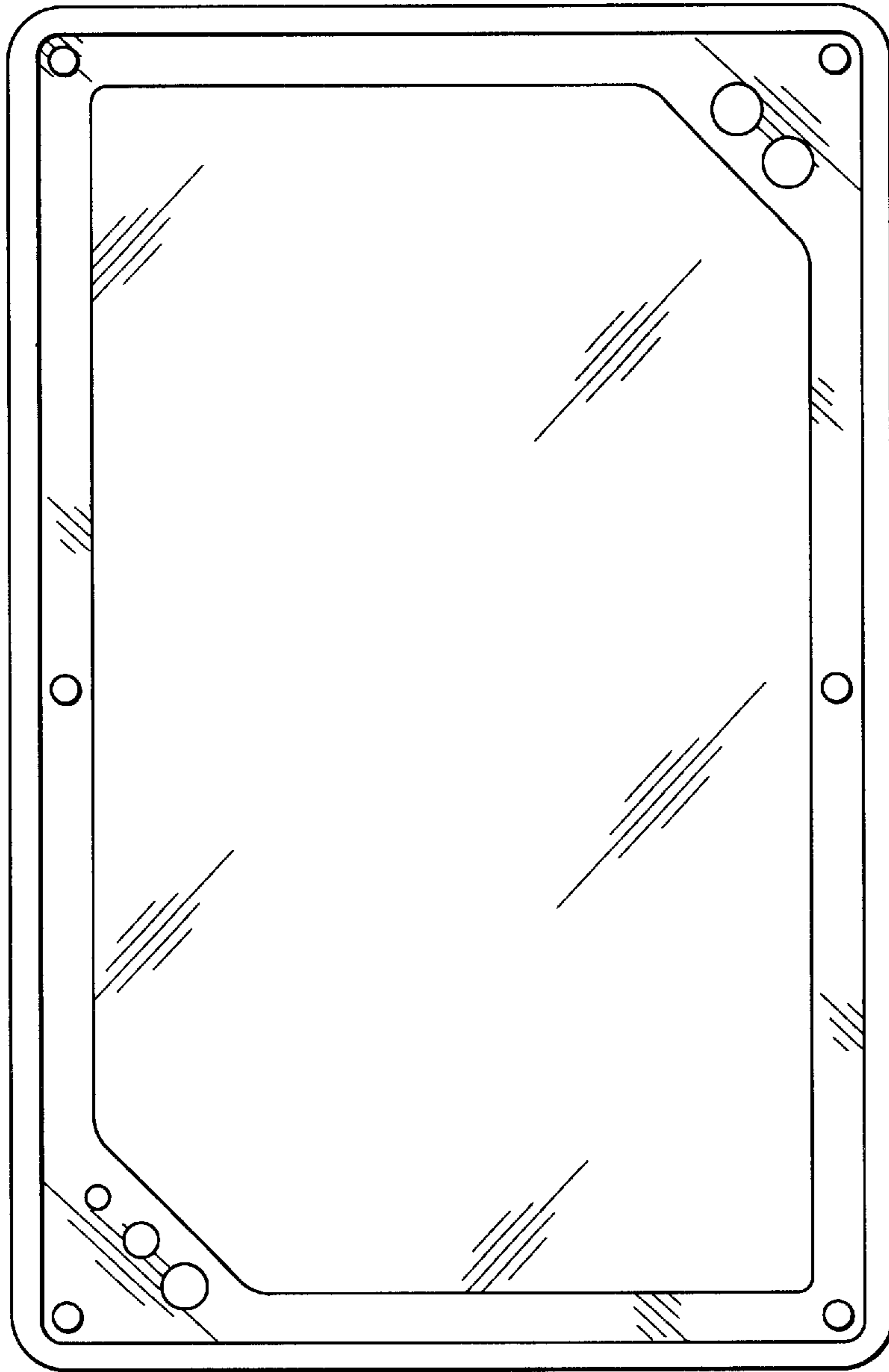


FIG. 2

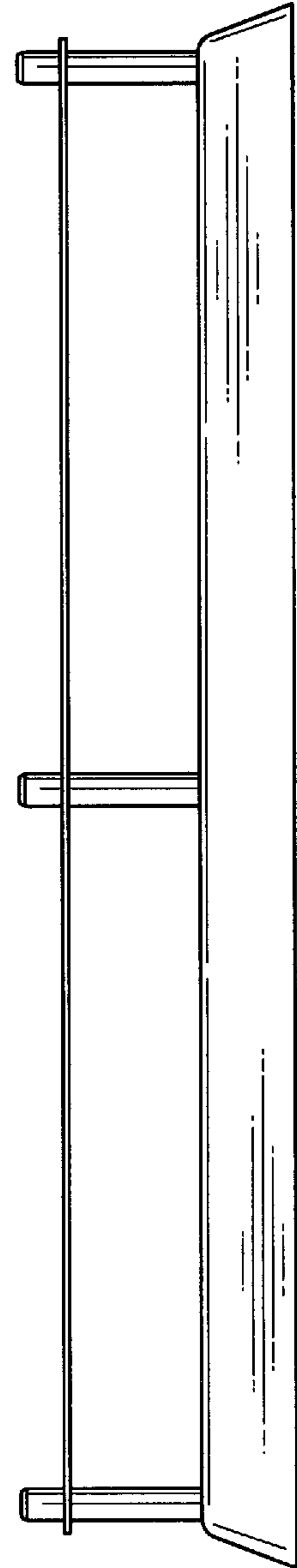


FIG. 3

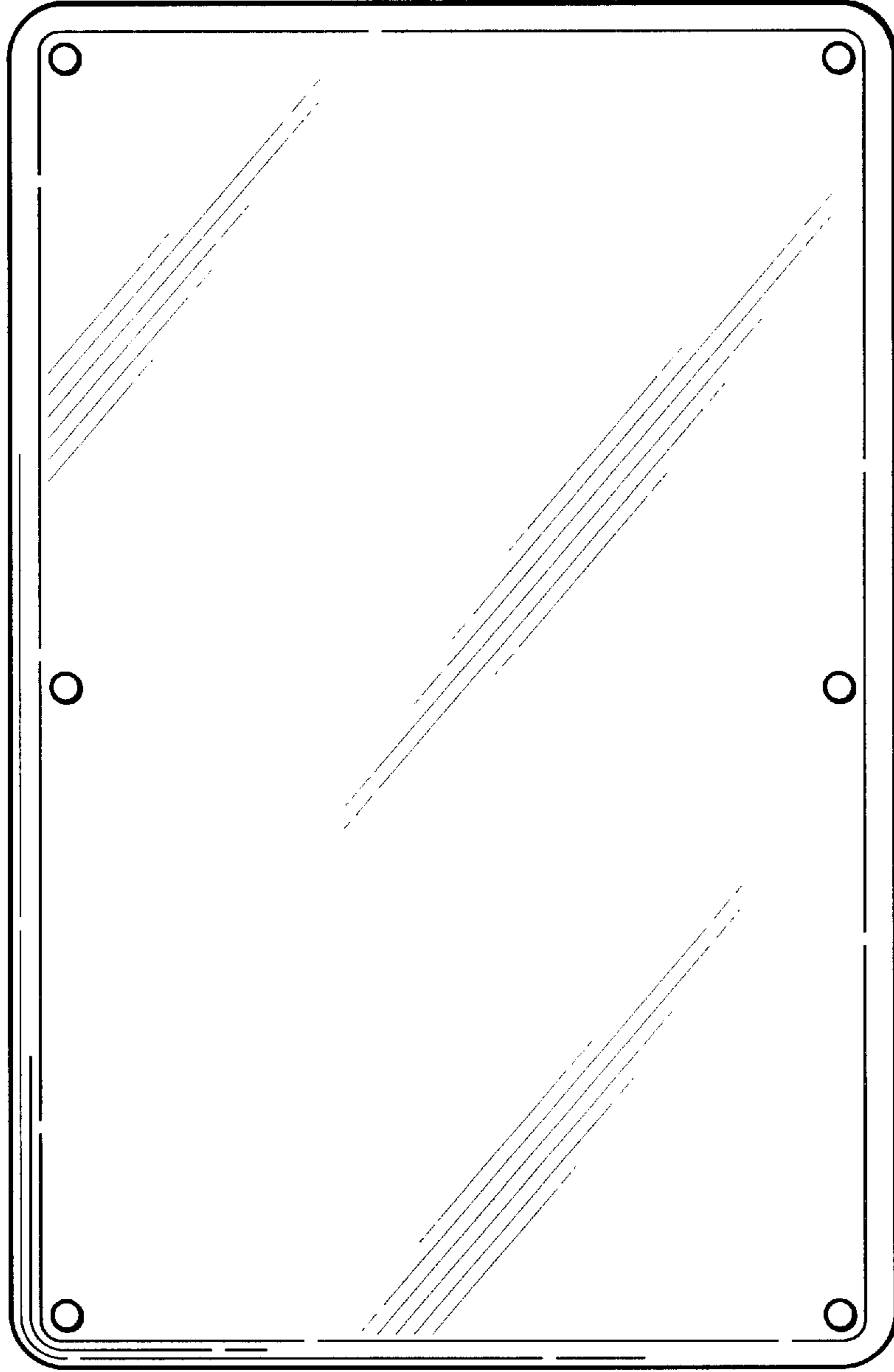


FIG. 4

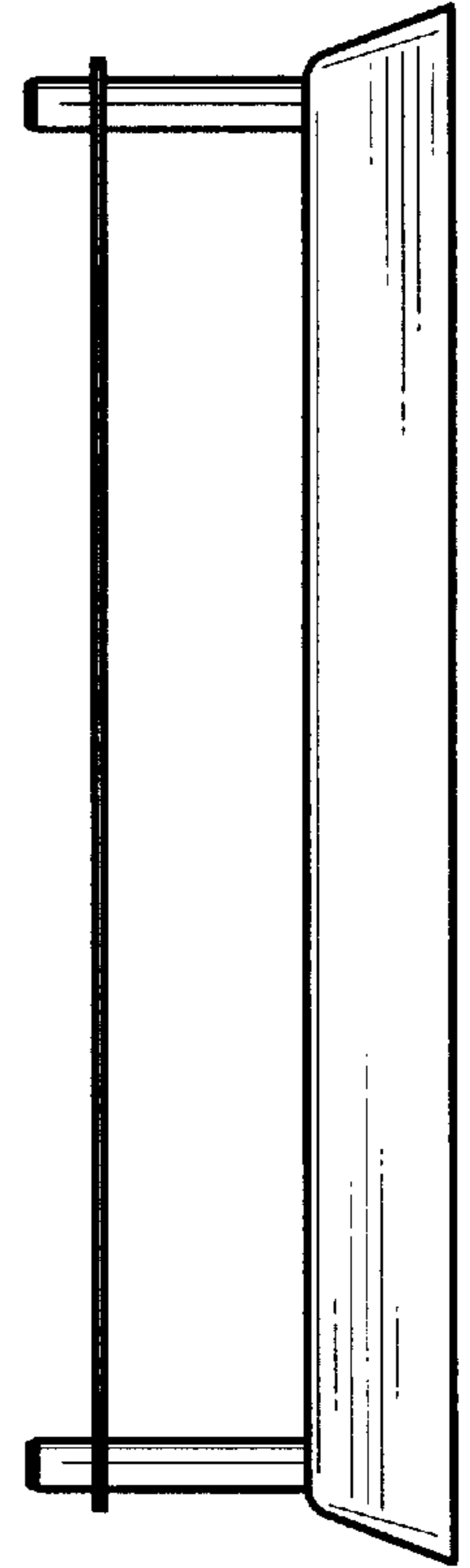


FIG. 5