



US00D482905S

(12) **United States Design Patent**  
**Peyker**

(10) **Patent No.:** **US D482,905 S**

(45) **Date of Patent:** **\*\* Dec. 2, 2003**

(54) **OPTICAL DISPLAY DEVICE**

(75) Inventor: **Katharina Peyker**, Salzburg/Anif (AT)

(73) Assignee: **Silhouette International Schmied AG**,  
Linz (AT)

(\*\*) Term: **14 Years**

(21) Appl. No.: **29/176,553**

(22) Filed: **Feb. 24, 2003**

(30) **Foreign Application Priority Data**

Oct. 8, 2002	(AT)	.....	MU 3493/2002
Oct. 8, 2002	(AT)	.....	MU 3494/2002
Oct. 8, 2002	(AT)	.....	MU 3495/2002

(51) **LOC (7) Cl.** ..... **06-04**

(52) **U.S. Cl.** ..... **D6/468; D6/474**

(58) **Field of Search** ..... D6/409-415, 449,  
D6/454-458, 461-469, 473, 474, 509-511;  
108/103, 105, 139; 211/41.2, 41.7, 42,  
51, 70, 85.1, 85.2, 88.3, 88.01, 126.15,  
126.9, 131.1, 133.2, 163, 181.1, 201, 205

(56) **References Cited**

**U.S. PATENT DOCUMENTS**

D239,346 S	*	3/1976	Scherzer et al.	.....	D6/455 X
D286,829 S	*	11/1986	Yeranossian	.....	D6/396
D311,467 S	*	10/1990	Prendergast et al.	.....	D6/461
D334,215 S	*	3/1993	Rowlands	.....	D6/455 X
5,248,047 A	*	9/1993	Randhawa	.....	211/85.3
D478,227 S	*	8/2003	Peyker	.....	D6/468

\* cited by examiner

*Primary Examiner*—Cathron C. Brooks

(74) *Attorney, Agent, or Firm*—Alston & Bird LLP

(57) **CLAIM**

The ornamental design for an optical display device, as shown and described.

**DESCRIPTION**

FIG. 1 is a side perspective view of an optical display device according to one arrangement of the present design;

FIG. 2 is a front elevation view of the optical display device shown in FIG. 1, the rear elevation view being identical;

FIG. 3 is a left side elevation view of the optical display device shown in FIG. 1, the right side elevation view being identical;

FIG. 4 is a top plan view of the optical display device shown in FIG. 1;

FIG. 5 is a bottom plan view of the optical display device shown in FIG. 1;

FIG. 6 is a side perspective view of an alternative embodiment of the optical display device according to the present design;

FIG. 7 is a front elevation view of the optical display device shown in FIG. 6, the rear elevation view being identical;

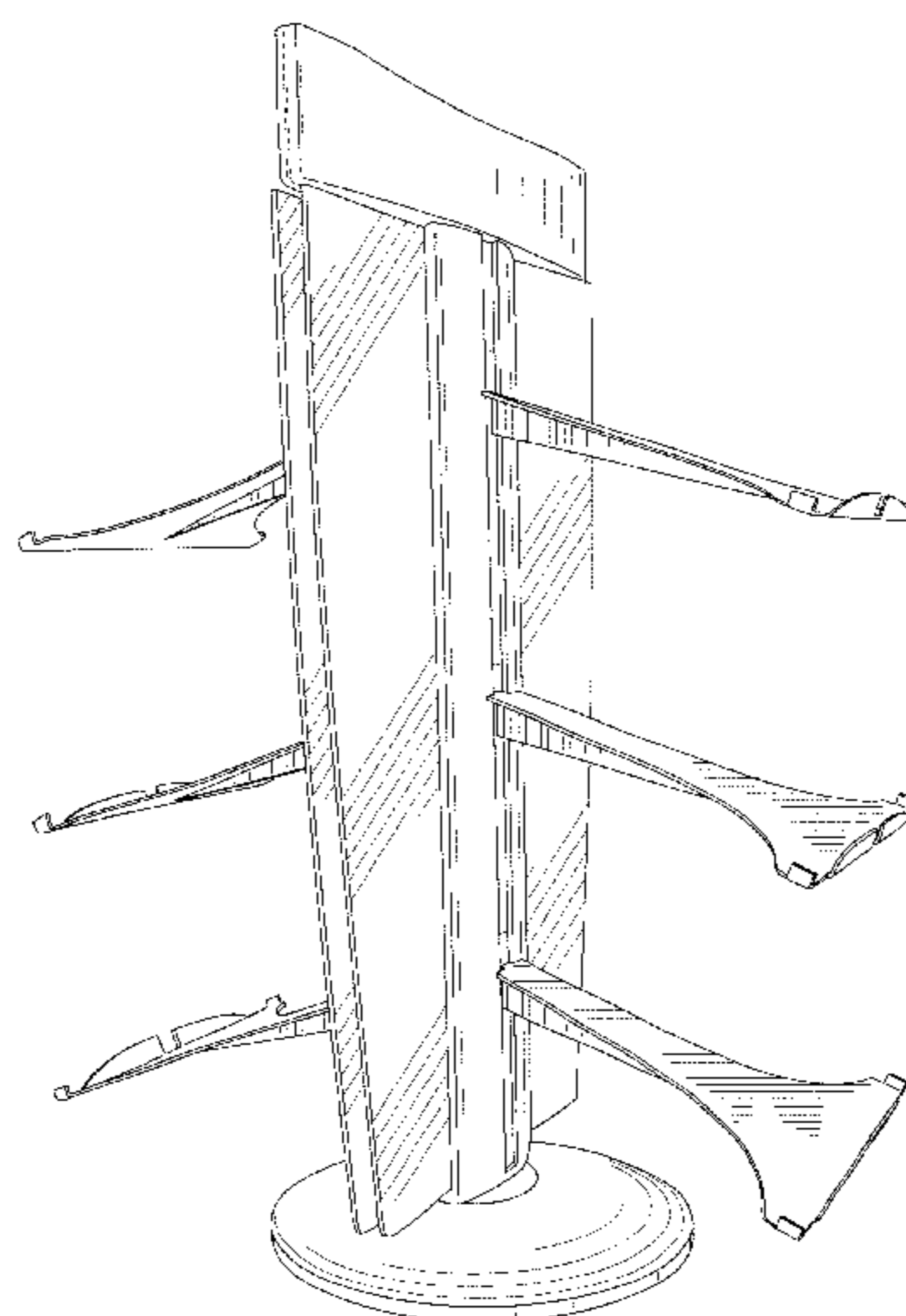
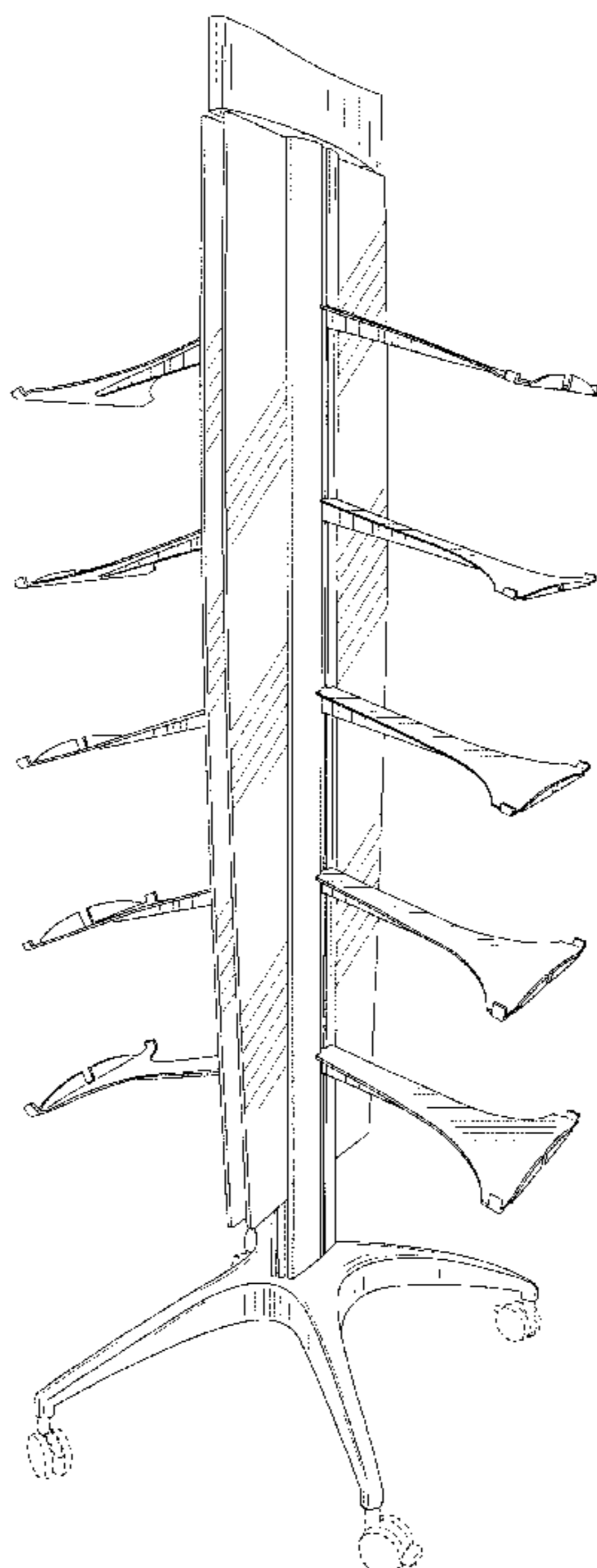
FIG. 8 is a left side elevation view of the optical display device shown in FIG. 6, the right side elevation view being identical;

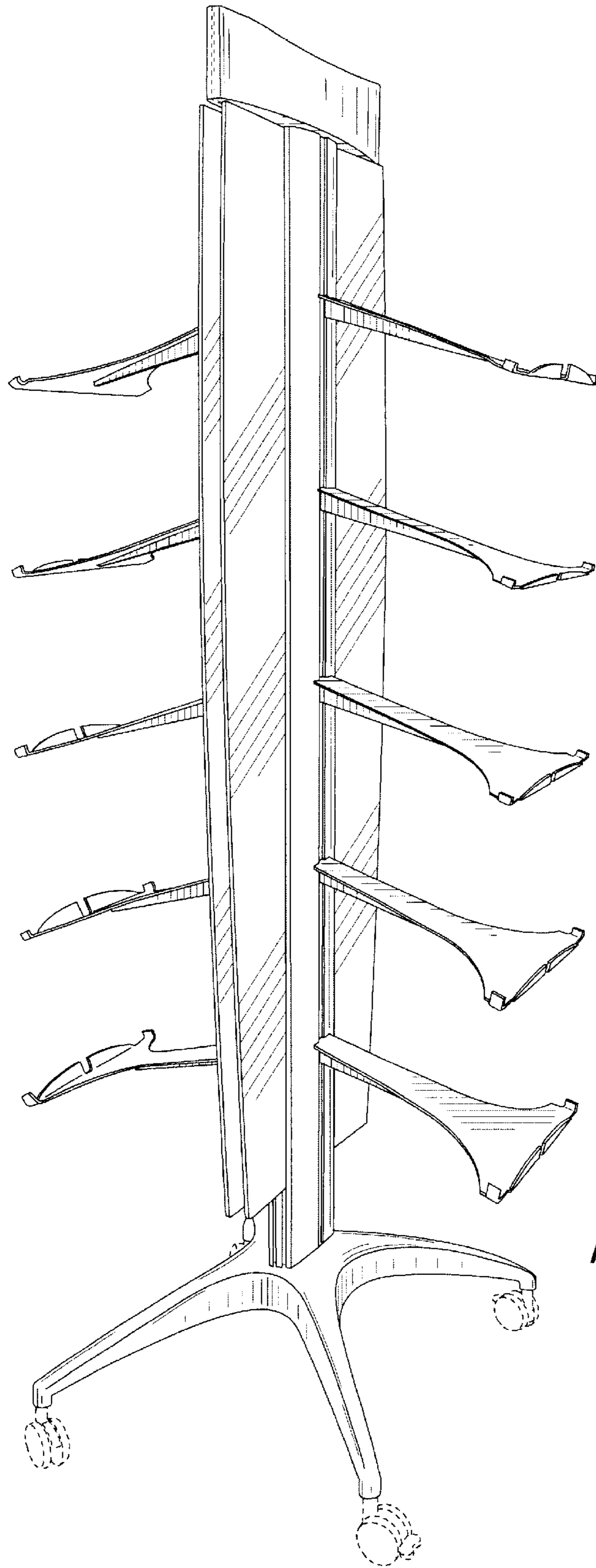
FIG. 9 is a top plan view of the optical display device shown in FIG. 6; and,

FIG. 10 is a bottom plan view of the optical display device shown in FIG. 6.

The broken lines shown herein are for illustrative purposes only and form no part of the claimed design.

**1 Claim, 8 Drawing Sheets**





*FIG. 1.*

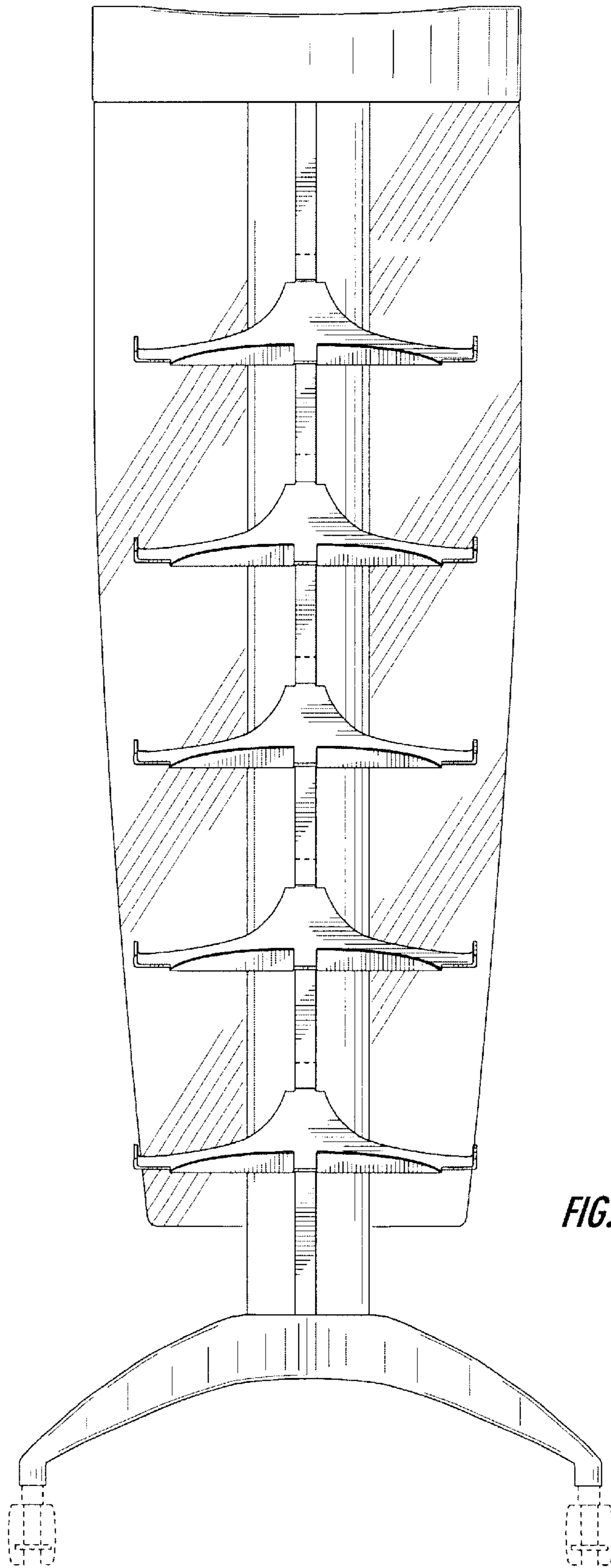
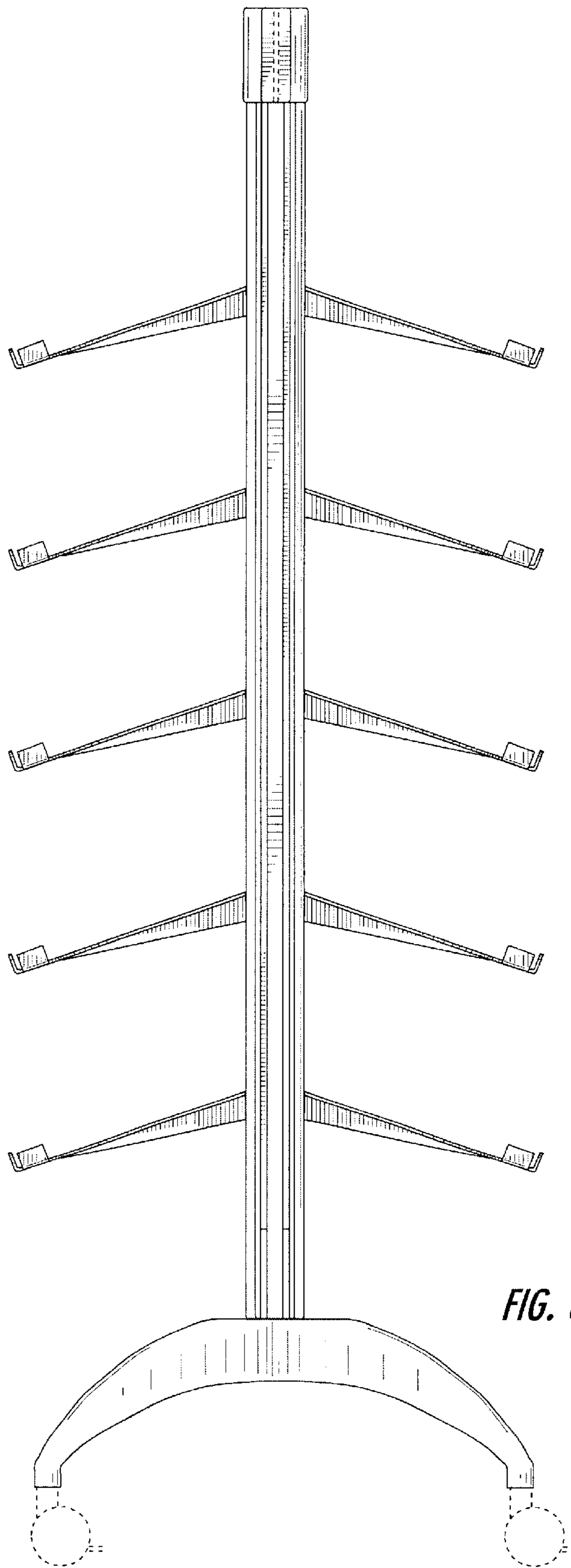
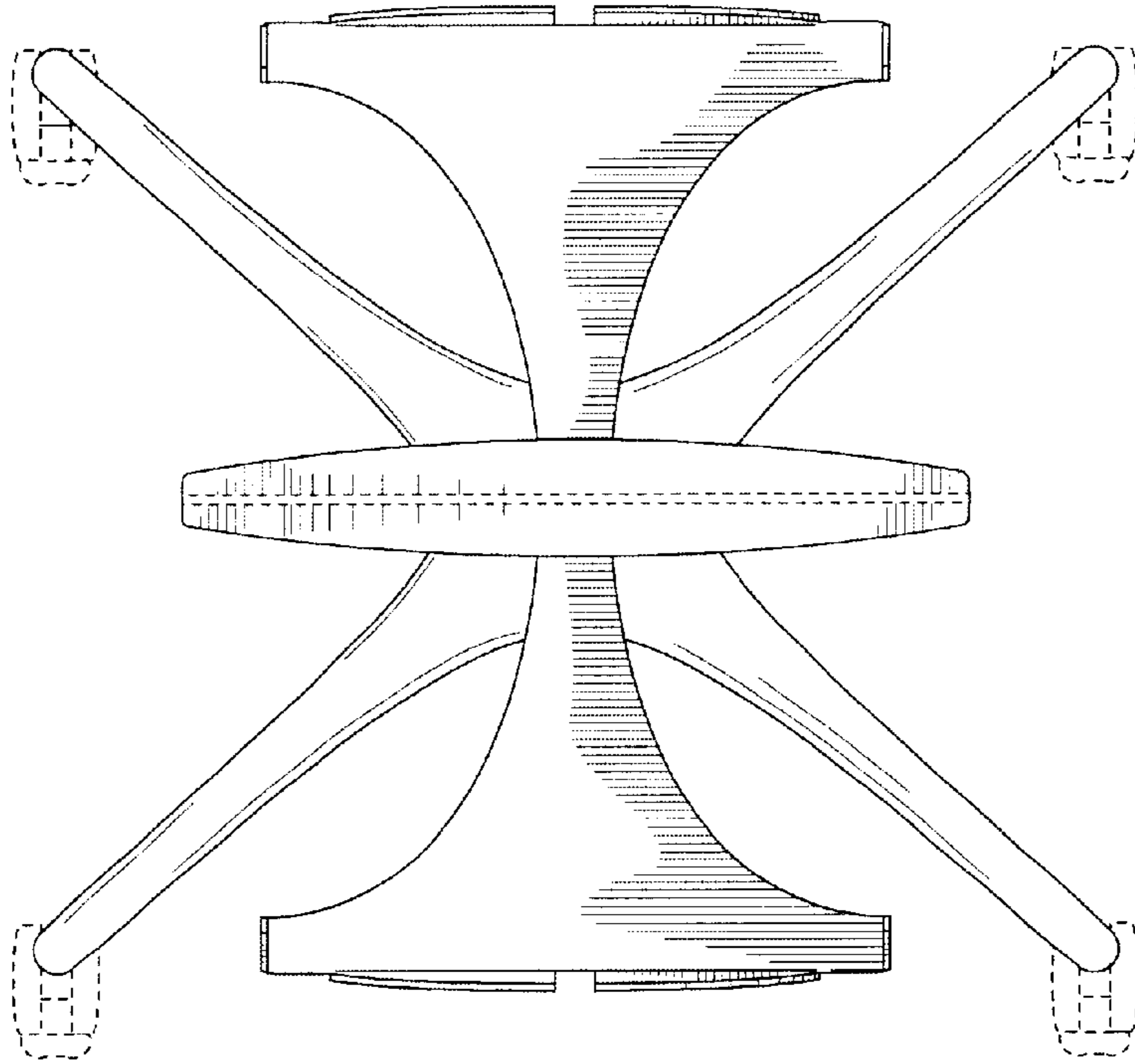


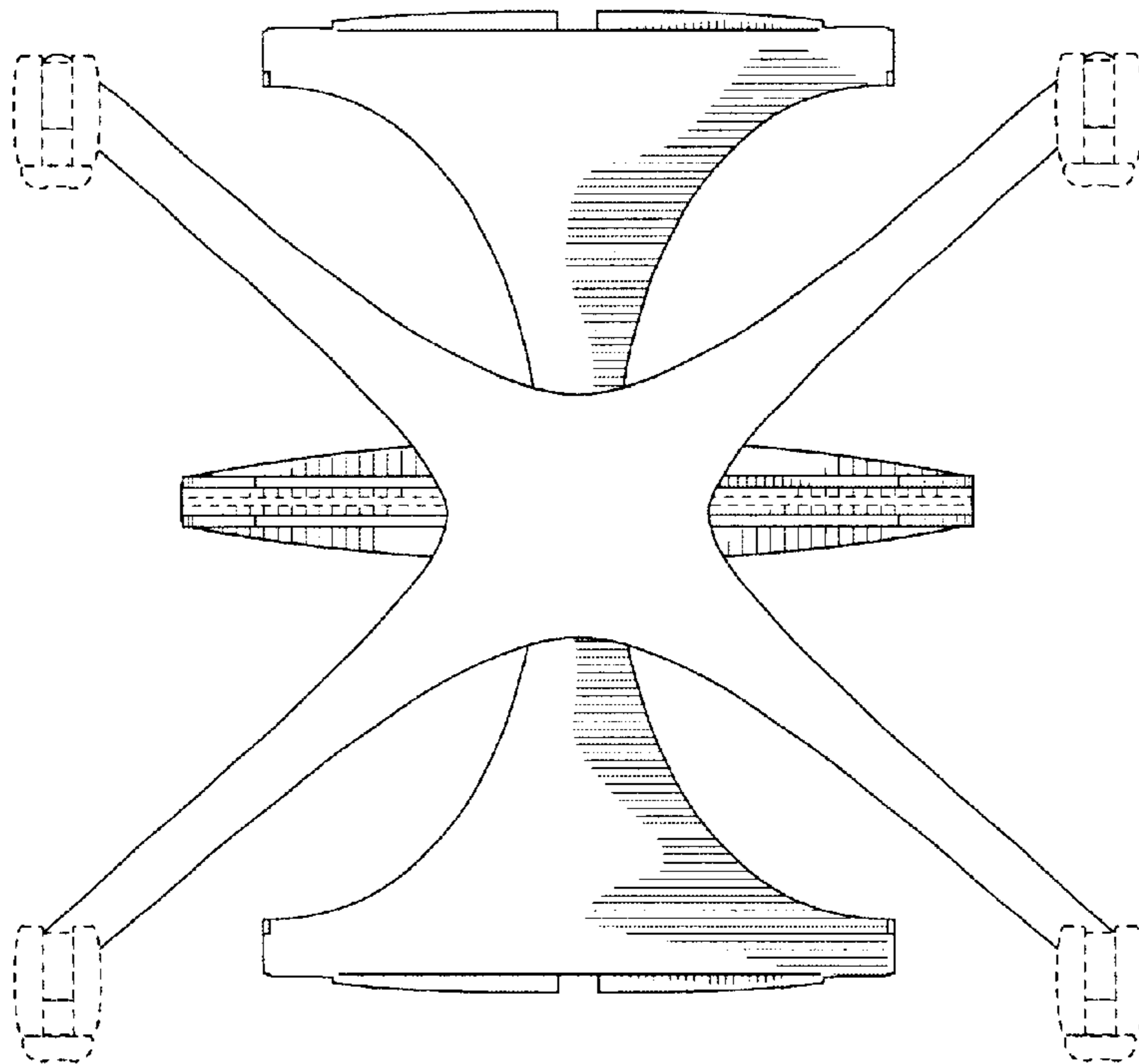
FIG. 2.



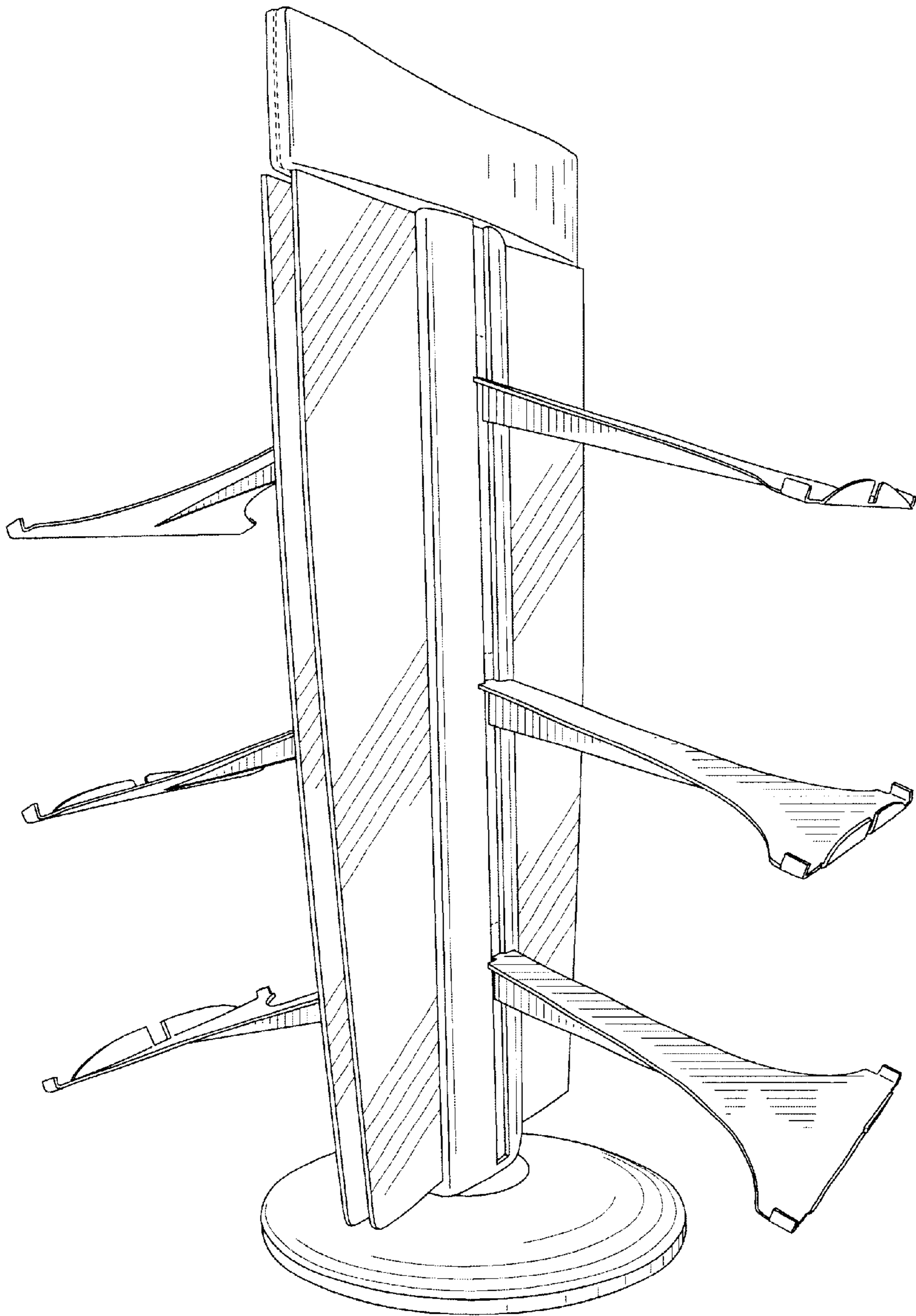
**FIG. 3.**



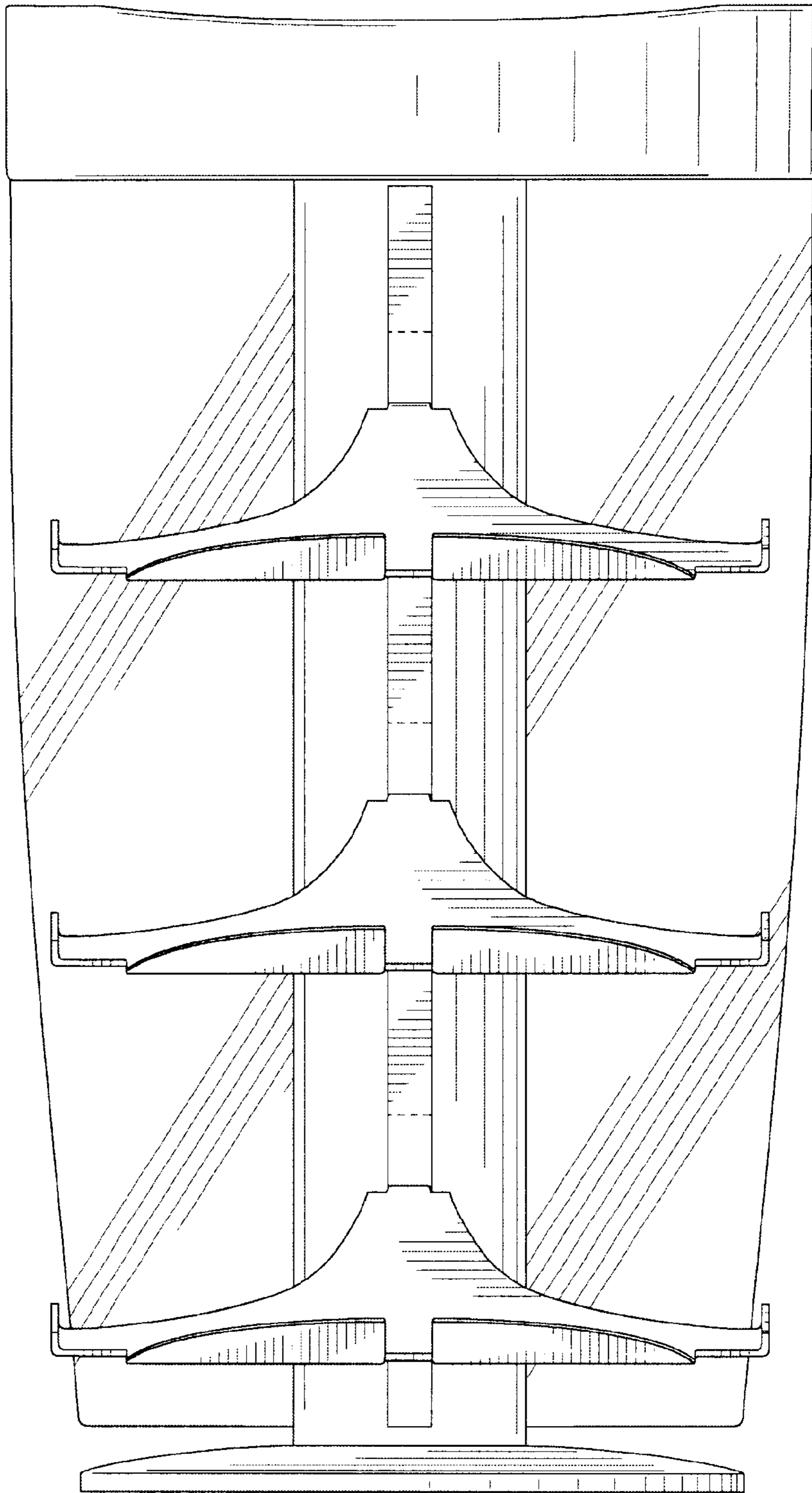
*FIG. 4.*



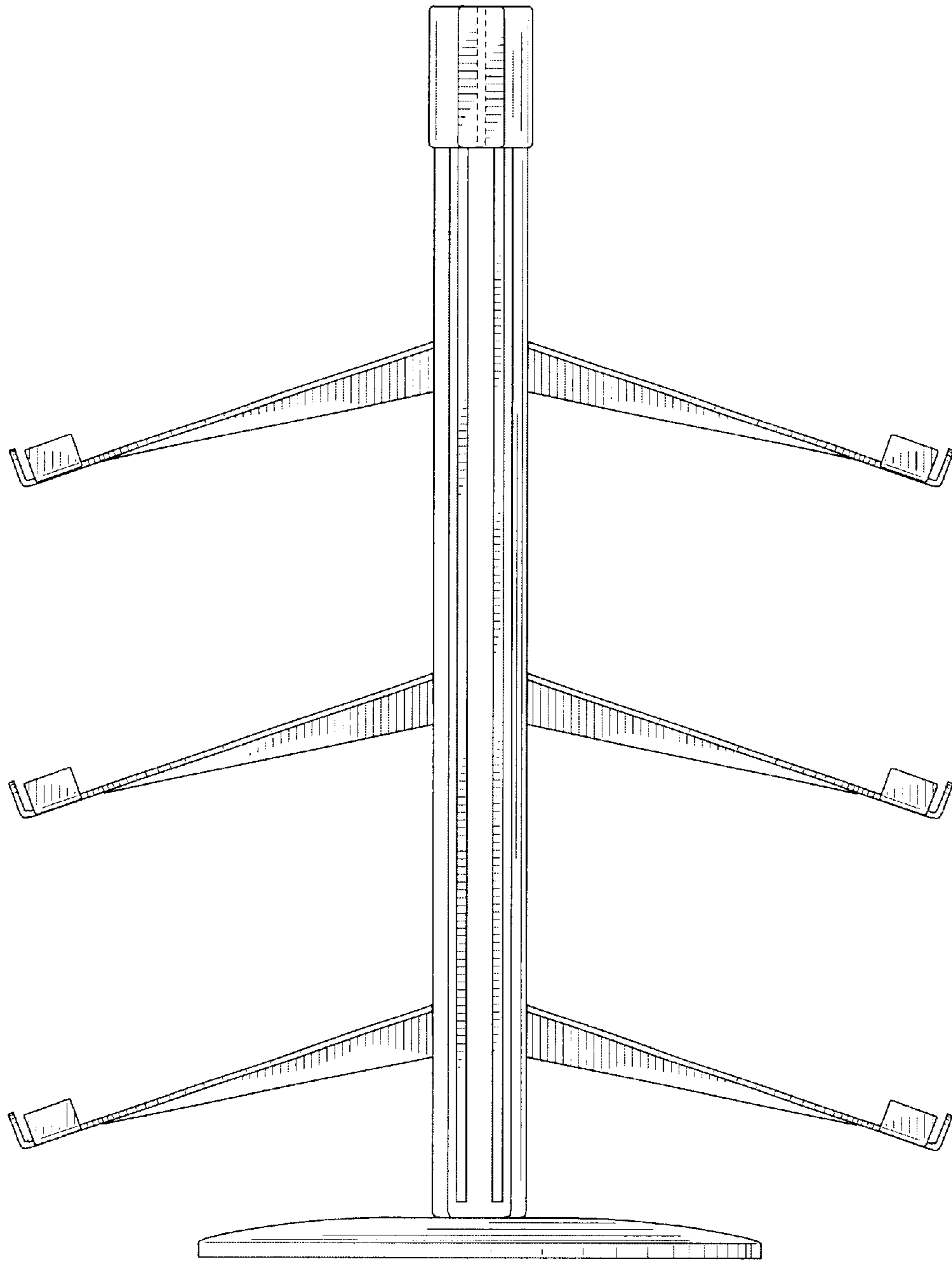
*FIG. 5.*



*FIG. 6.*

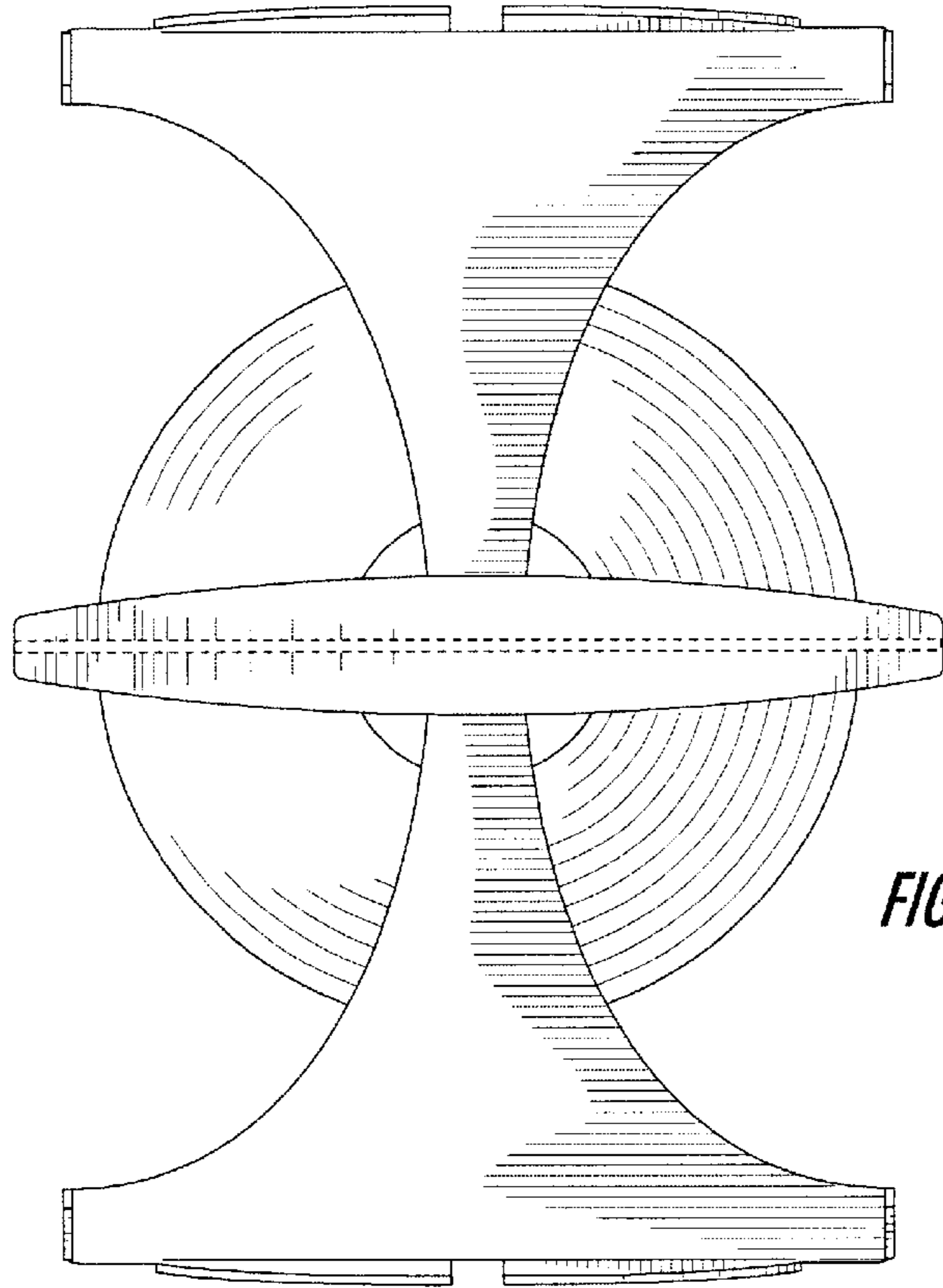


*FIG. 7.*

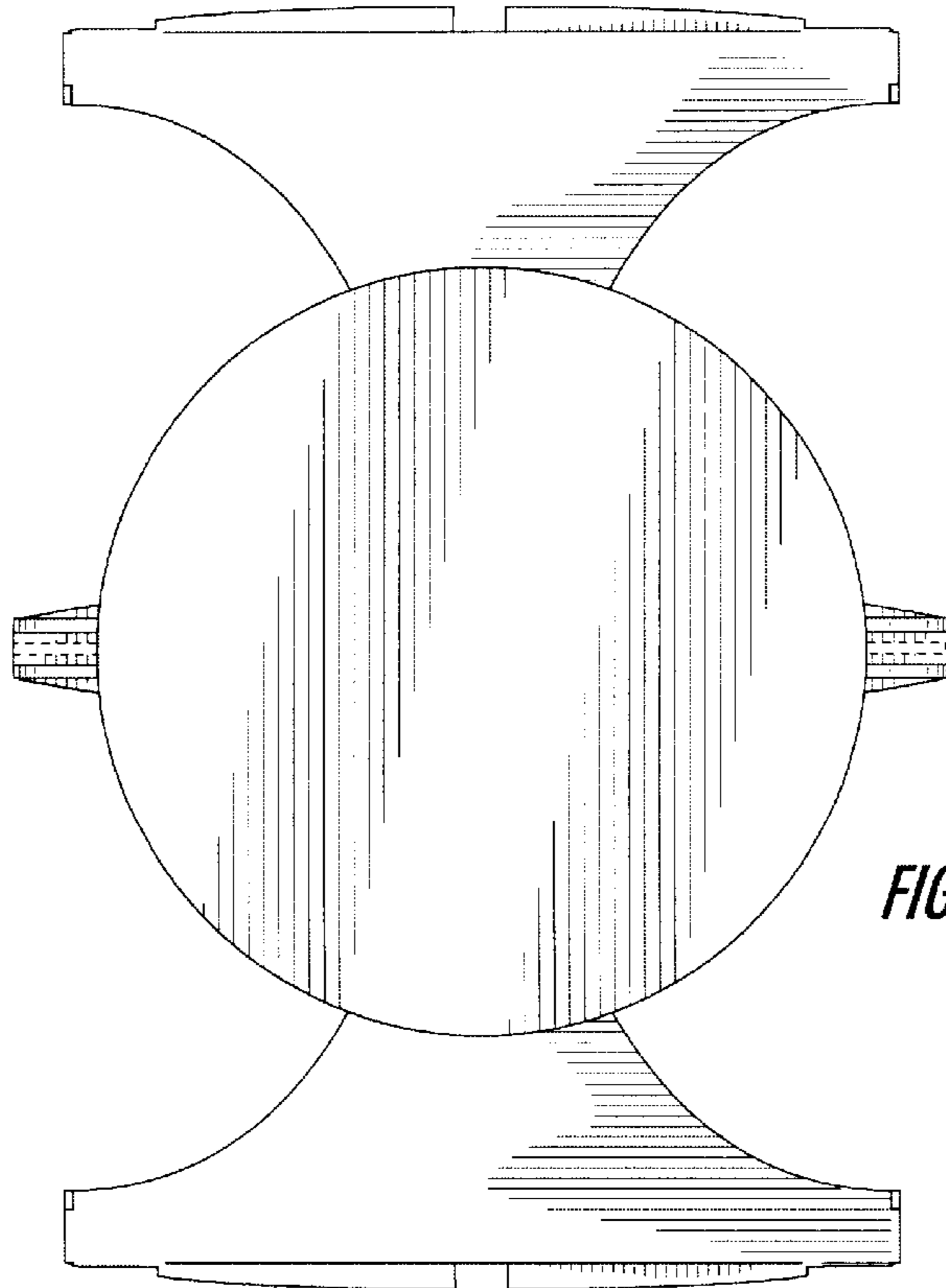


**FIG. 8.**





*FIG. 9.*



*FIG. 10.*