



US00D482900S

(12) **United States Design Patent**
DeJule et al.

(10) **Patent No.:** **US D482,900 S**

(45) **Date of Patent:** **** Dec. 2, 2003**

(54) **LECTERN**

6,012,788 A 1/2000 Marschand et al.

6,086,173 A 7/2000 Restell

D451,301 S 12/2001 Abboud et al.

(75) Inventors: **Aaron M. DeJule**, Chicago, IL (US);
James A. Contois, Green Bay, WI
(US); **Michael J. Mastalir**, Green Bay,
WI (US)

* cited by examiner

Primary Examiner—Janice E. Seeger

(73) Assignee: **Krueger International Inc.**, Green
Bay, WI (US)

(74) *Attorney, Agent, or Firm*—Boyle, Fredrickson,
Newholm, Stein & Gratz, S.C.

(**) Term: **14 Years**

(57) **CLAIM**

The ornamental design of a lectern, as shown and described.

(21) Appl. No.: **29/162,137**

DESCRIPTION

(22) Filed: **Jun. 10, 2002**

(51) **LOC (7) Cl.** **06-06**

(52) **U.S. Cl.** **D6/419**

(58) **Field of Search** D6/419, 420, 310–314,
D6/429–431; 248/441.1, 448, 454, 457,
460, 461; 312/208.1, 223.3

FIG. 1 is an isometric view of a lectern incorporating our
new design, showing a top portion of the lectern in an open
configuration;

FIG. 2 is a front elevation view thereof;

FIG. 3 is a top plan view thereof;

FIG. 4 is a right side elevation view thereof, the left side
elevation view being a mirror image;

FIG. 5 is a rear elevation view thereof;

FIG. 6 is an isometric view of another embodiment of a
lectern incorporating our new design, showing a top portion
of the lectern in an open configuration;

FIG. 7 is a front elevation view thereof;

FIG. 8 is a right side elevation view thereof, the left side
elevation being a mirror image; and,

FIG. 9 is a rear elevation view thereof.

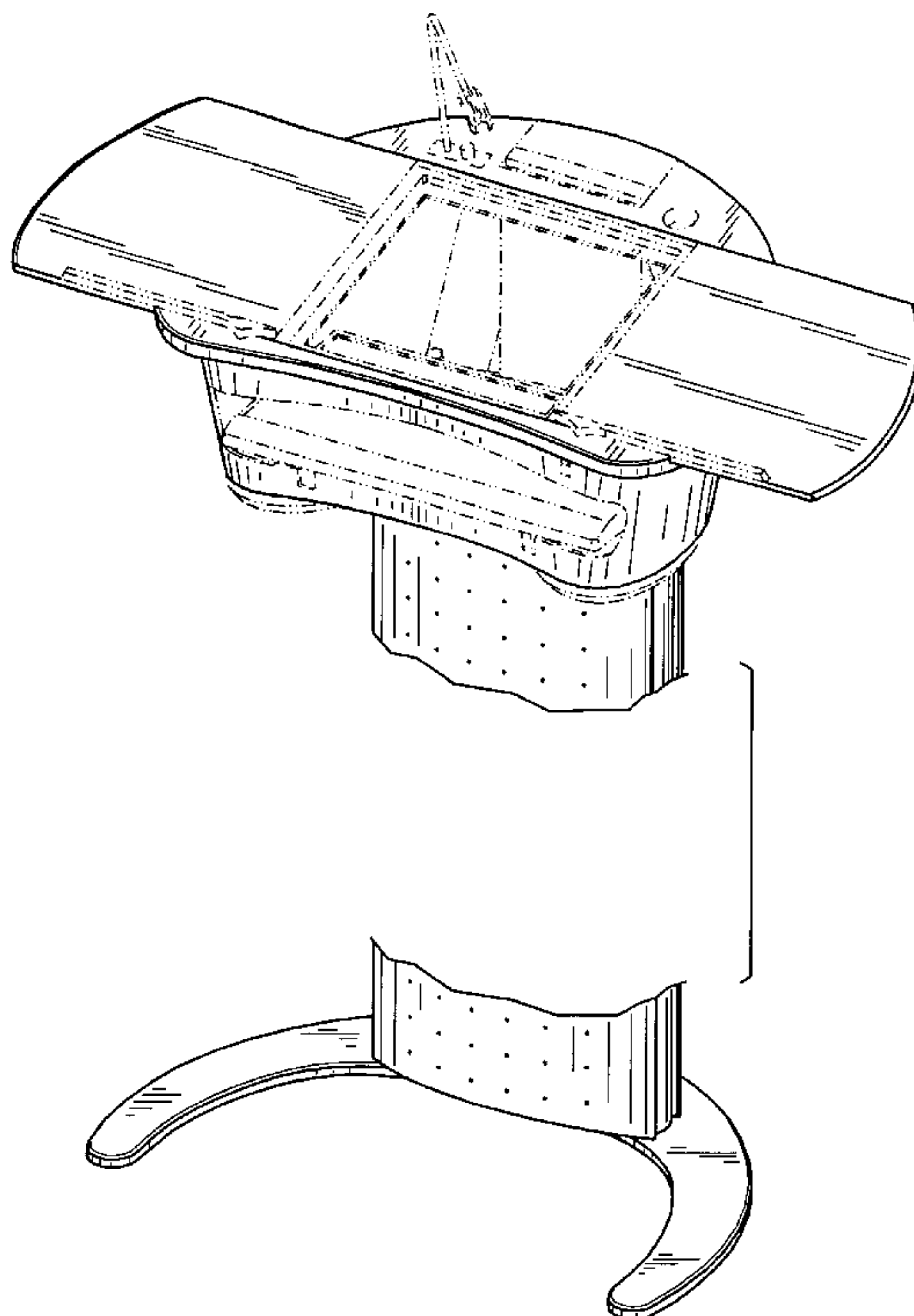
The broken lines are for environmental purposes only and
form no part of the claimed design. The lectern support is
shown broken away to indicate indeterminate length.

(56) **References Cited**

U.S. PATENT DOCUMENTS

D296,851 S	*	7/1988	Kelley	D6/420
5,087,010 A		2/1992	Walters		
D330,294 S	*	10/1992	Carr	D6/419
D339,933 S	*	10/1993	Fafoutis	D6/419
D365,223 S	*	12/1995	Pryor	D6/419
5,697,686 A		12/1997	Miller et al.		
D389,664 S		1/1998	Kotkosky		
5,806,943 A		9/1998	Dell et al.		
D401,774 S	*	12/1998	Burke et al.	D6/419
D402,824 S		12/1998	Gareau et al.		
5,913,582 A		6/1999	Coonan		

1 Claim, 8 Drawing Sheets



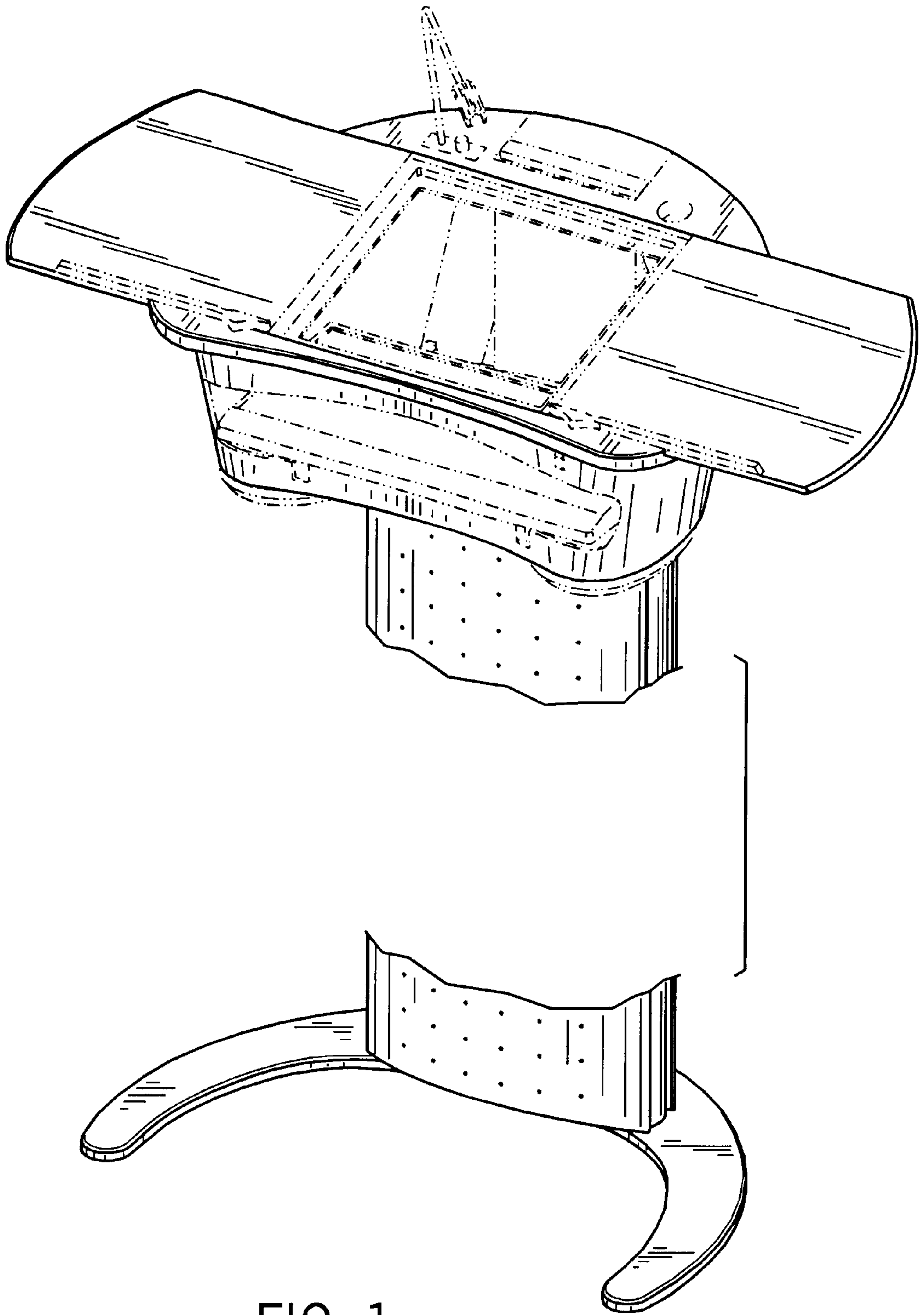


FIG. 1

FIG. 2

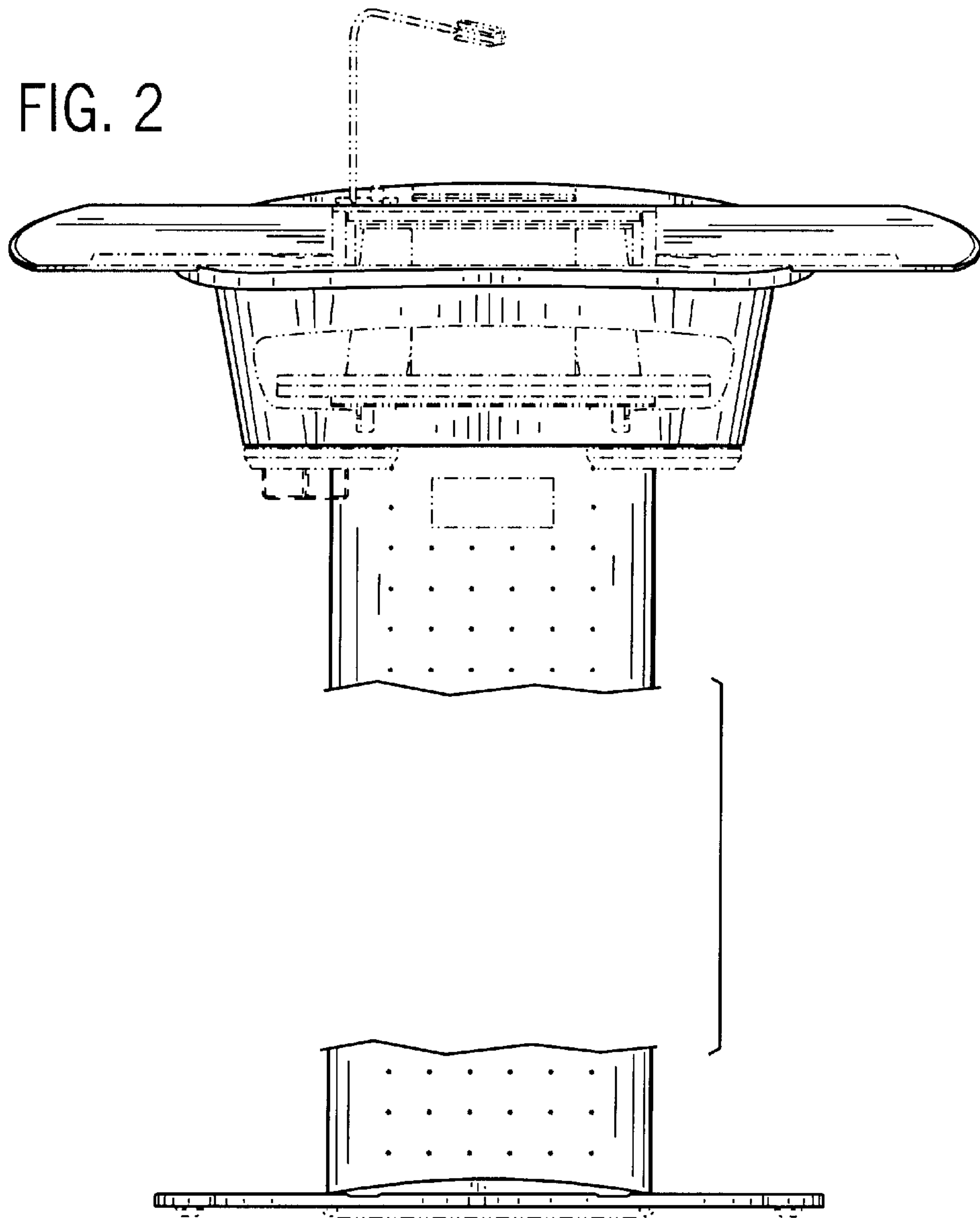


FIG. 3

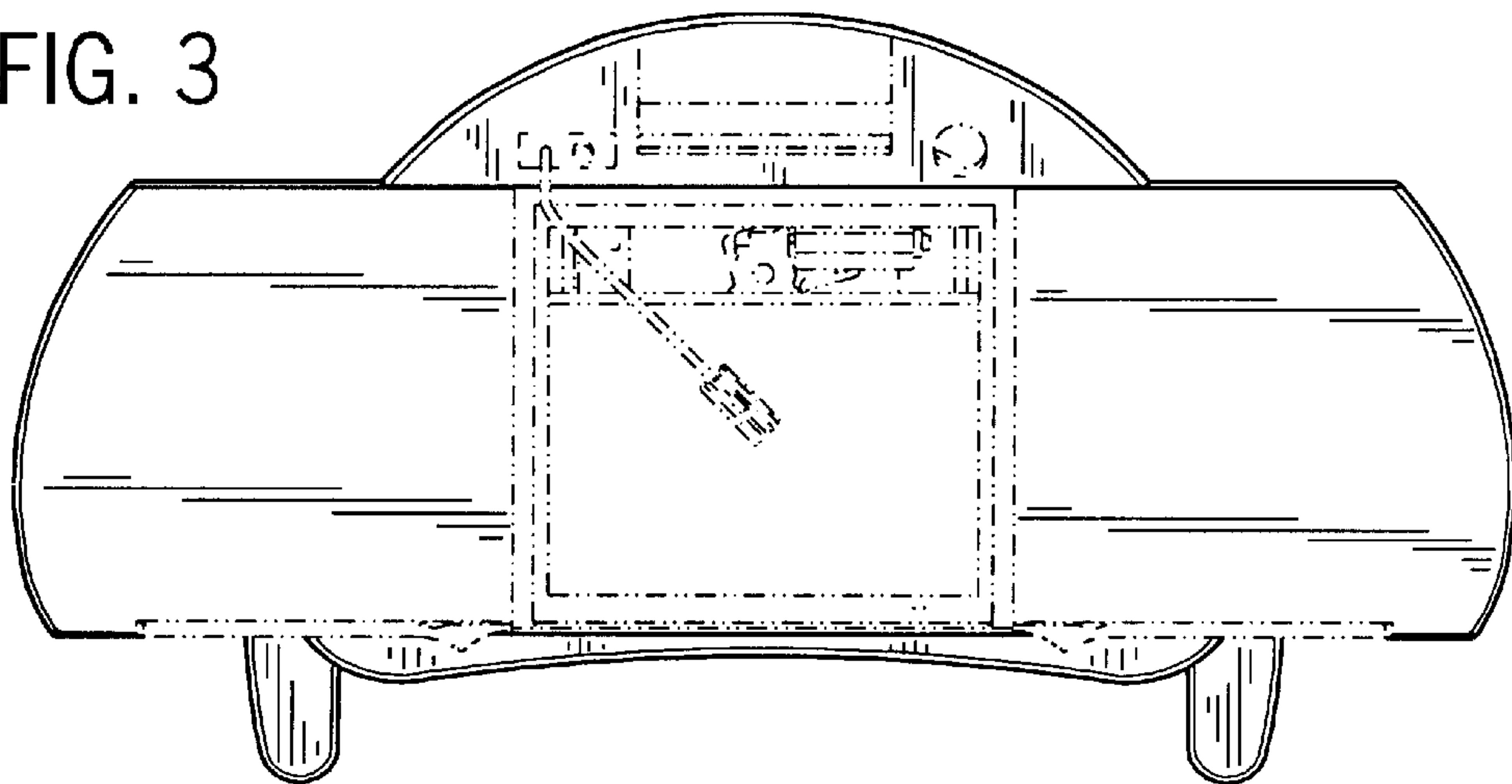


FIG. 4

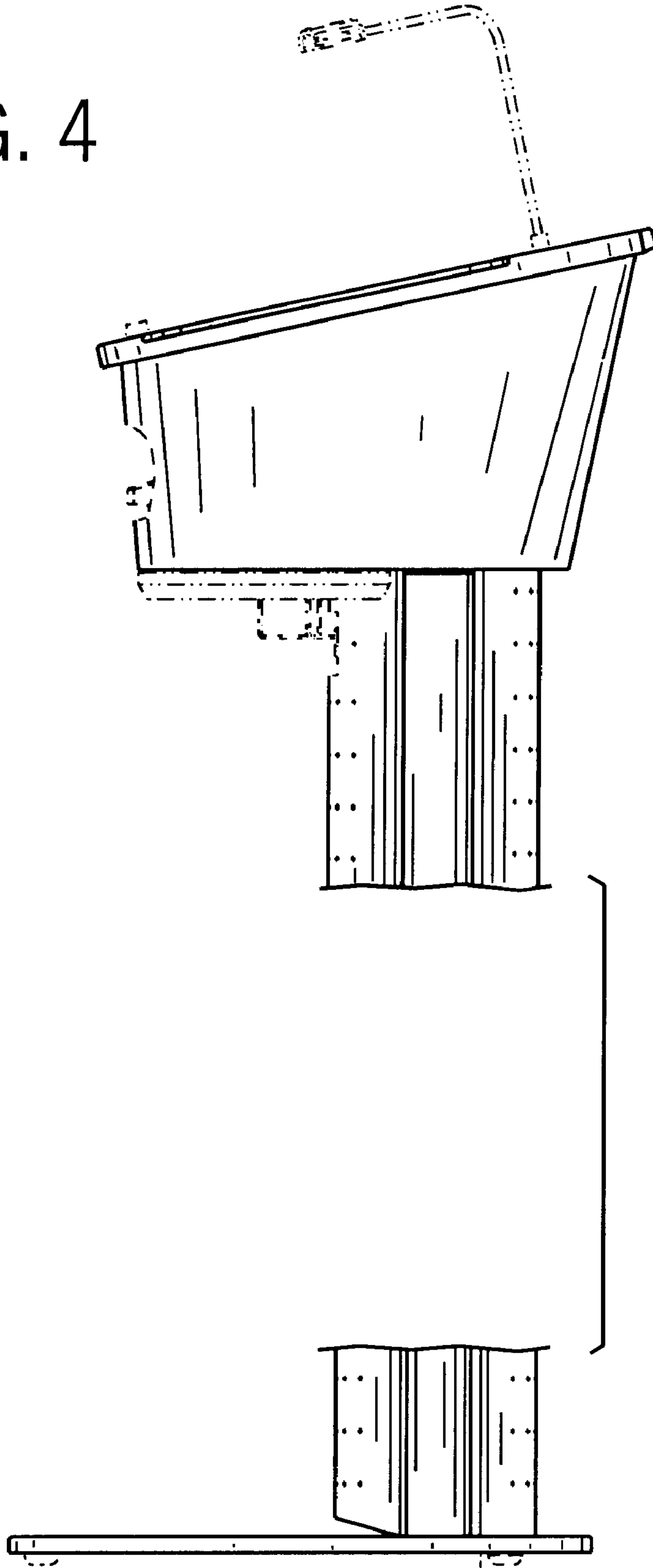
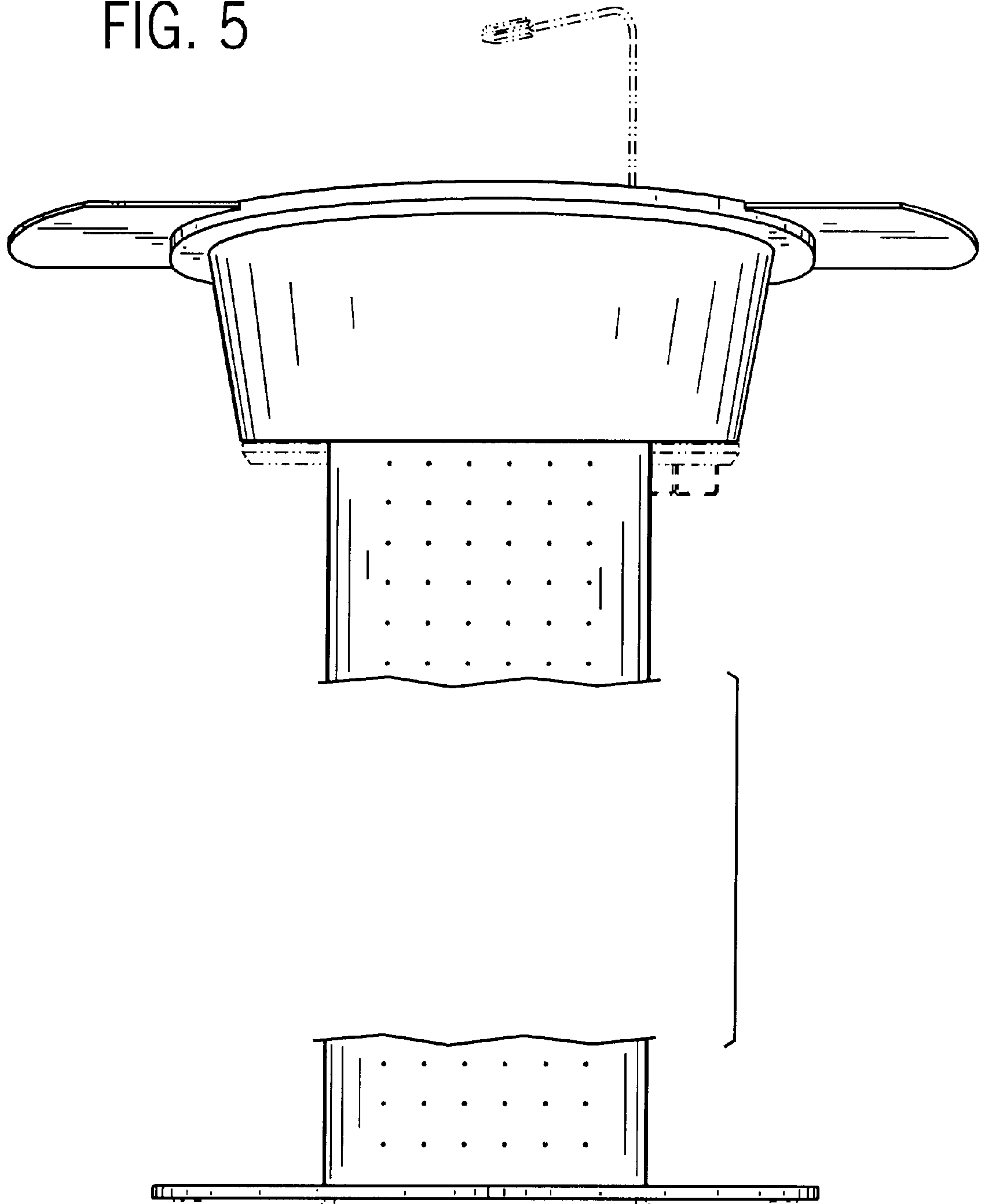


FIG. 5



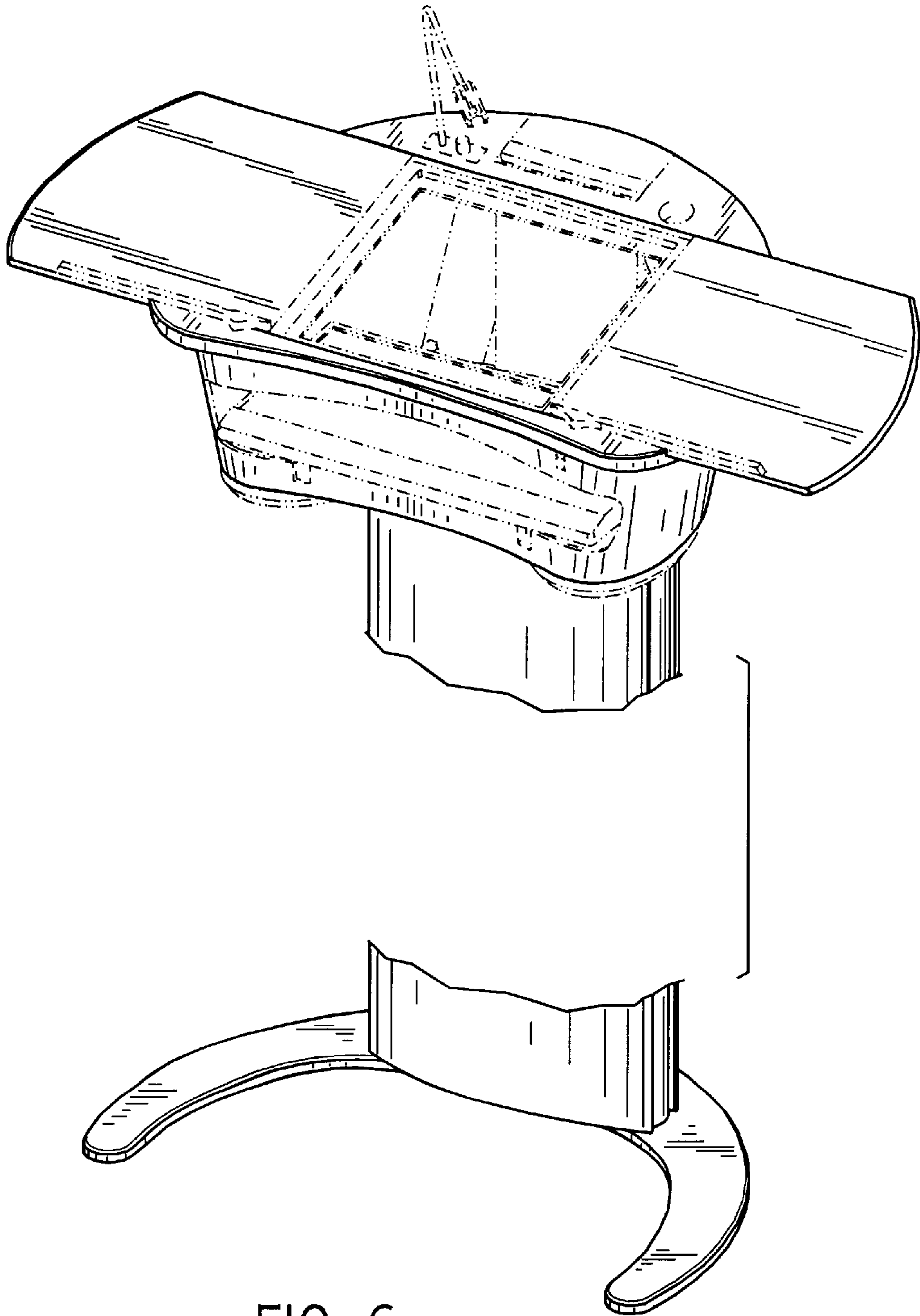


FIG. 6

FIG. 7

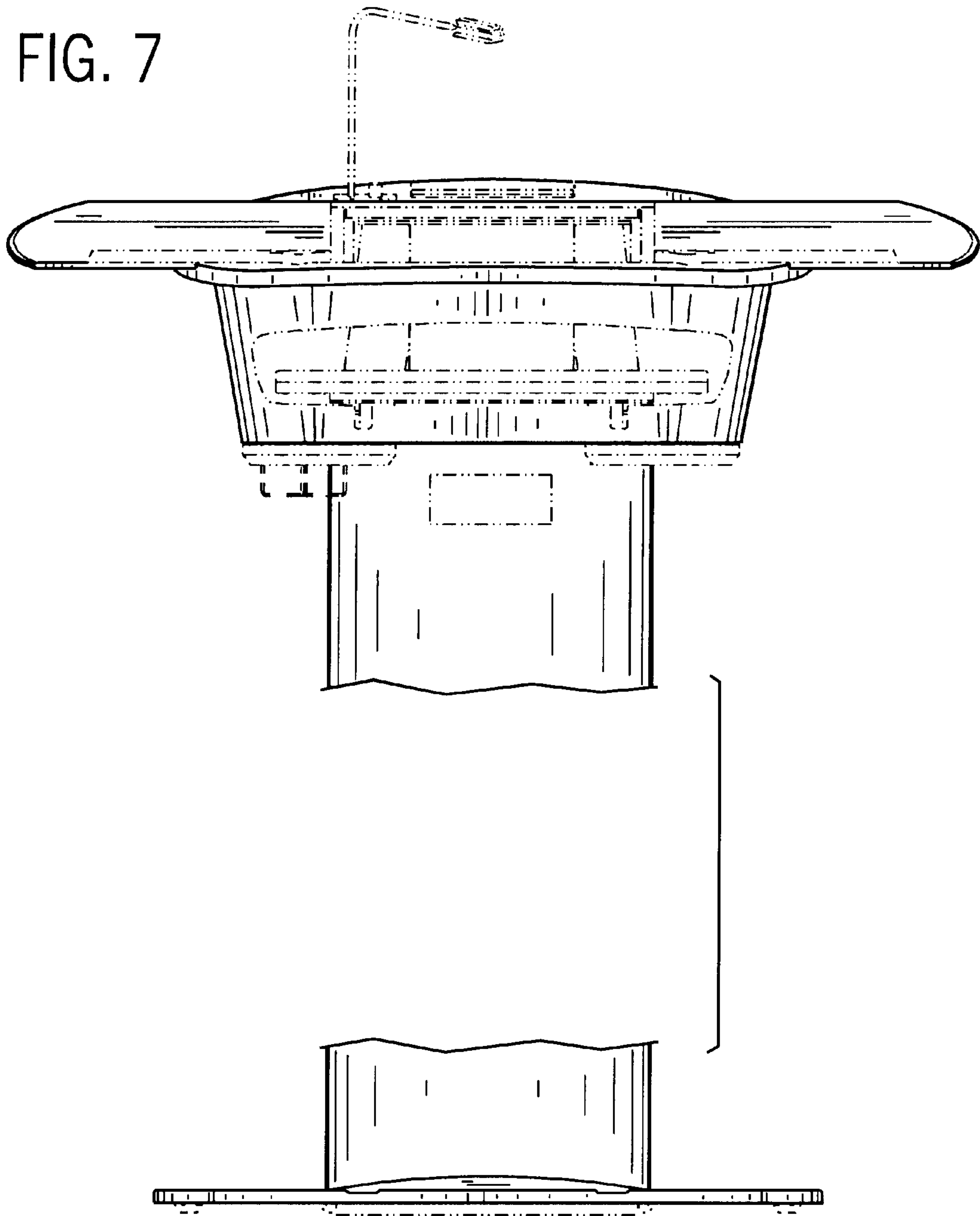


FIG. 8

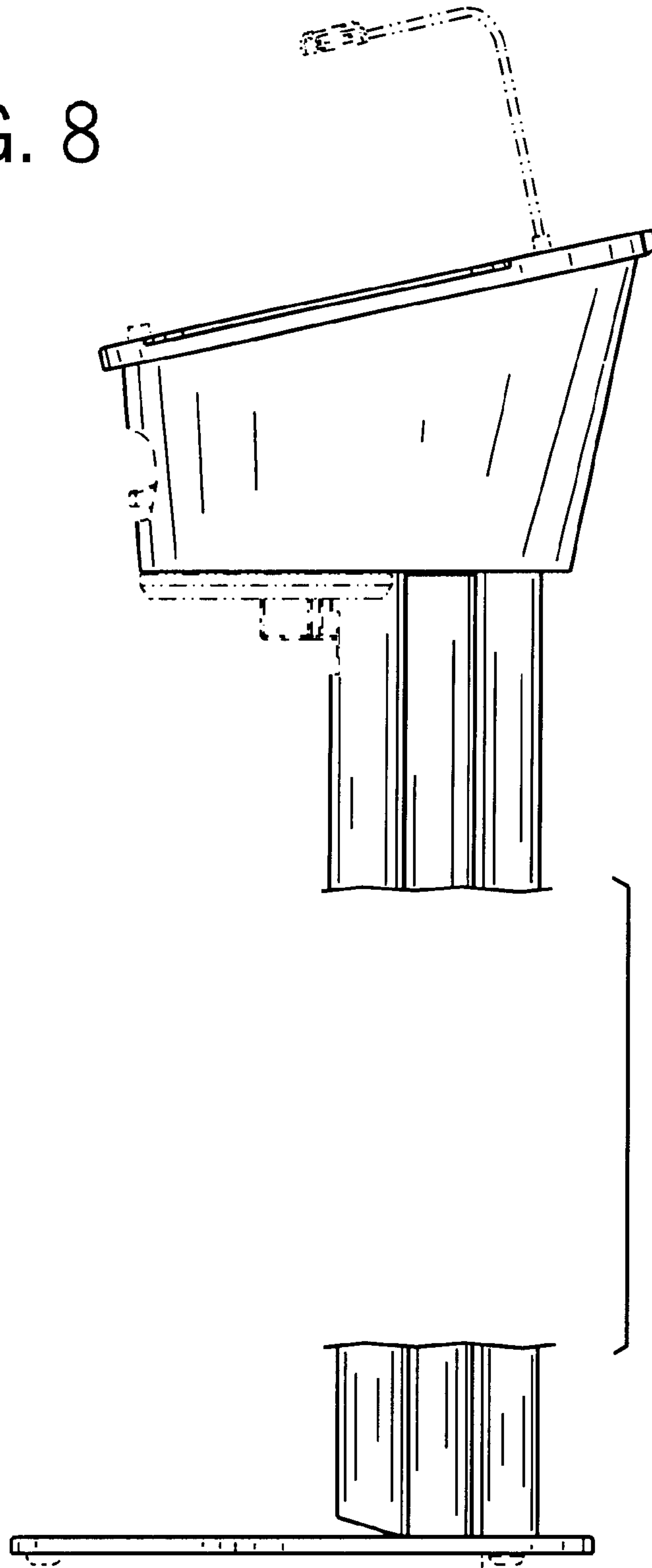


FIG. 9

