



US00D482899S

(12) **United States Design Patent** (10) **Patent No.:** **US D482,899 S**  
**Paus** (45) **Date of Patent:** **\*\* Dec. 2, 2003**

(54) **CANNONBALL BED**

(75) Inventor: **Michael J. Paus**, High Point, NC (US)

(73) Assignee: **Pennsylvania House Inc.**, Greensboro, NC (US)

(\*\*) Term: **14 Years**

(21) Appl. No.: **29/175,979**

(22) Filed: **Feb. 14, 2003**

(51) **LOC (7) Cl.** ..... **06-03**

(52) **U.S. Cl.** ..... **D6/393**

(58) **Field of Search** ..... D6/382-388, 393-395, D6/505-508; 5/53.1, 279.1, 280, 281

(56) **References Cited**

**U.S. PATENT DOCUMENTS**

D353,950 S	*	1/1995	Ferguson	.....	D6/393
D400,034 S	*	10/1998	Zaidman	.....	D6/505
D429,100 S	*	8/2000	Cain	.....	D6/505
D450,198 S	*	11/2001	McDaniel et al.	.....	D6/393
D465,682 S	*	11/2002	Prevost	.....	D6/505

\* cited by examiner

*Primary Examiner*—Janice E. Seeger  
(74) *Attorney, Agent, or Firm*—Kilpatrick Stockton LLP

(57) **CLAIM**

I claim the ornamental design for a cannonball bed, as shown and described.

**DESCRIPTION**

FIG. 1 is a front view of a footboard of the present invention. FIG. 2 is a view of the right side of the footboard of the present invention; the left side of the footboard of the present invention is a mirror image of this view.

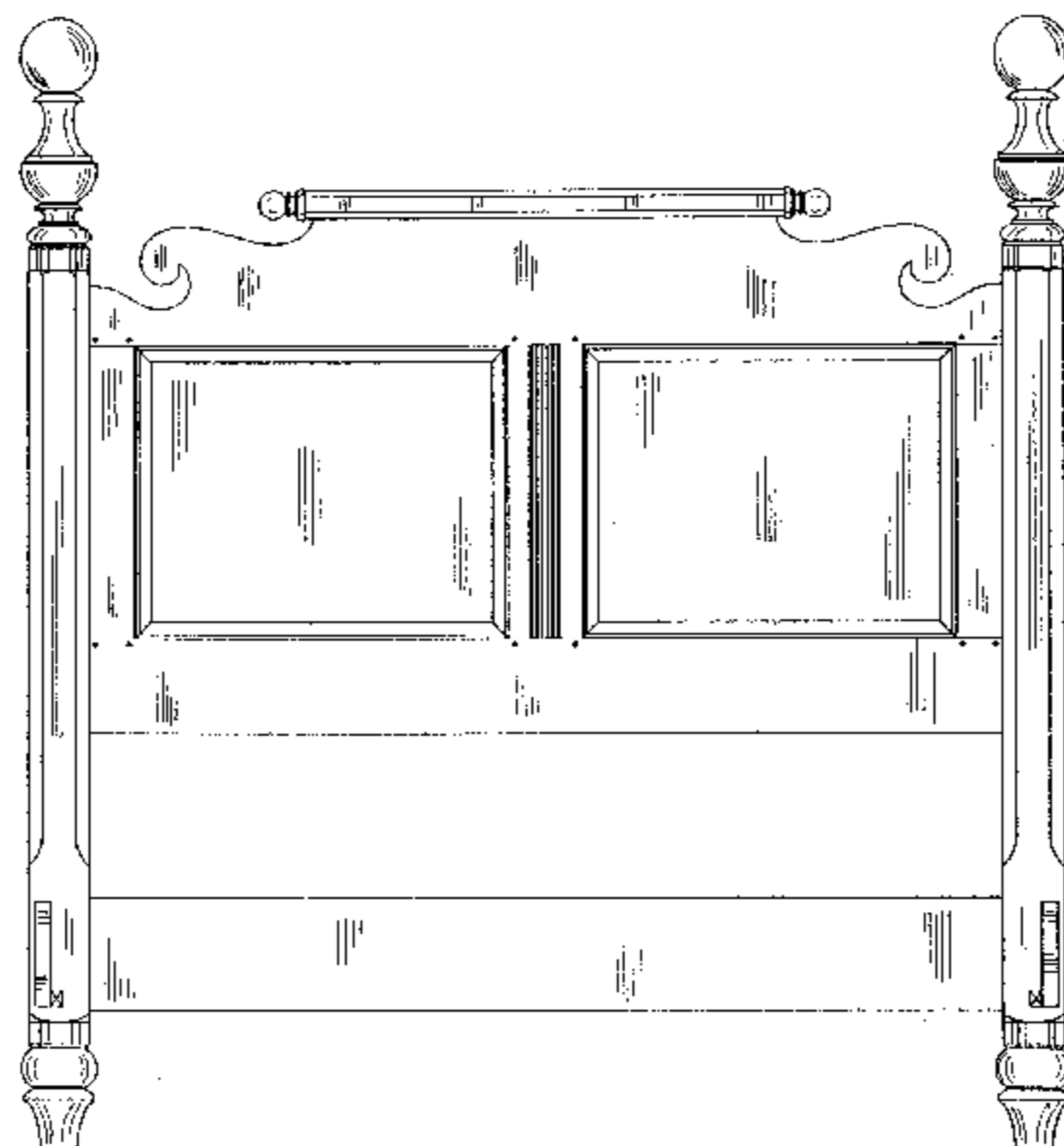
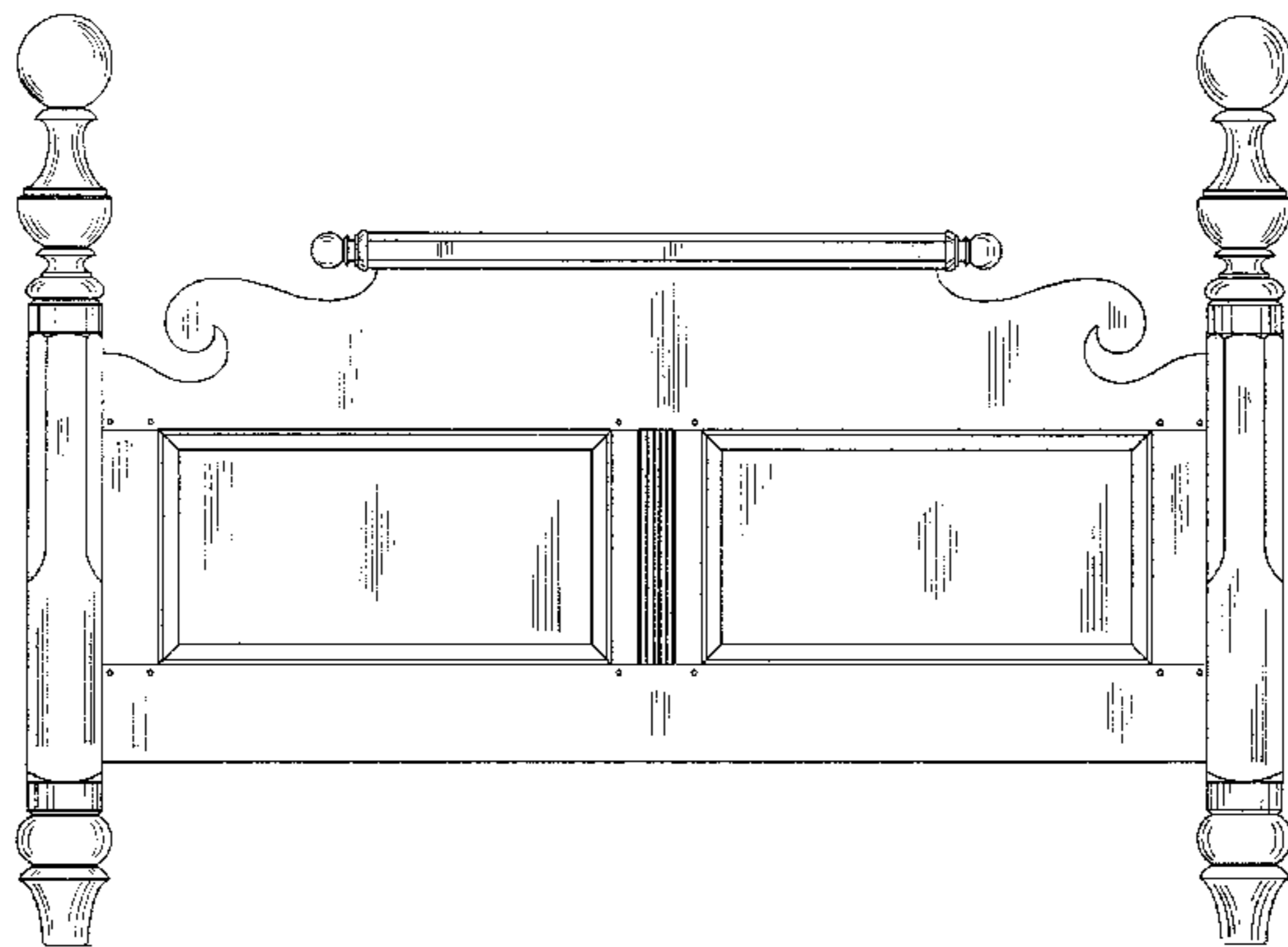
FIG. 3 is a top view of the footboard of the present invention. FIG. 4 is a view of a headboard of the present invention.

FIG. 5 is a view of the right side of the headboard of the present invention; the left side of the headboard of the present invention is a mirror image of this view; and,

FIG. 6 is a top view of the headboard of the present invention.

The headboard and footboard are shown separately for convenience of illustration.

**1 Claim, 2 Drawing Sheets**



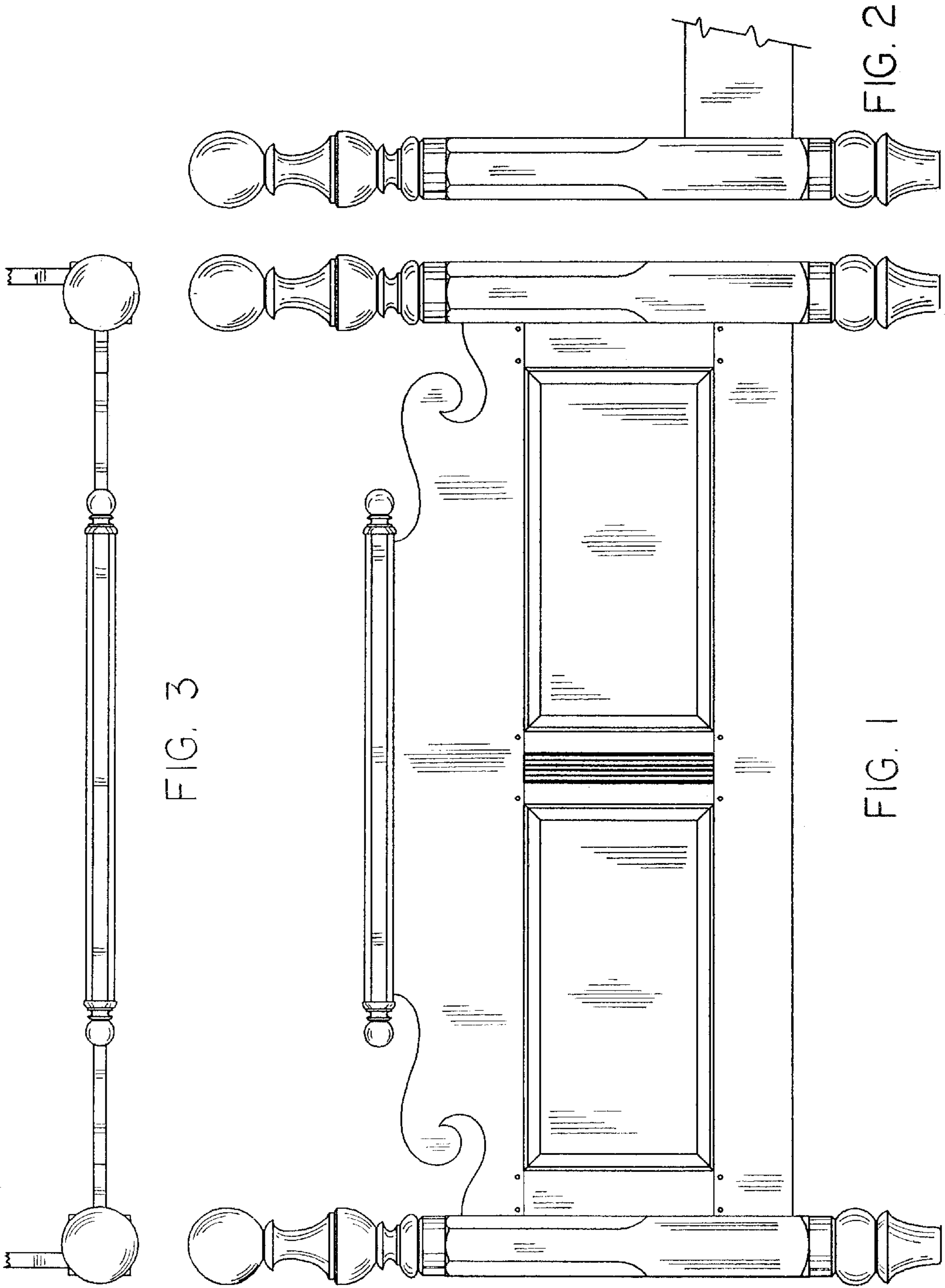


FIG. 3

FIG. 1

FIG. 2

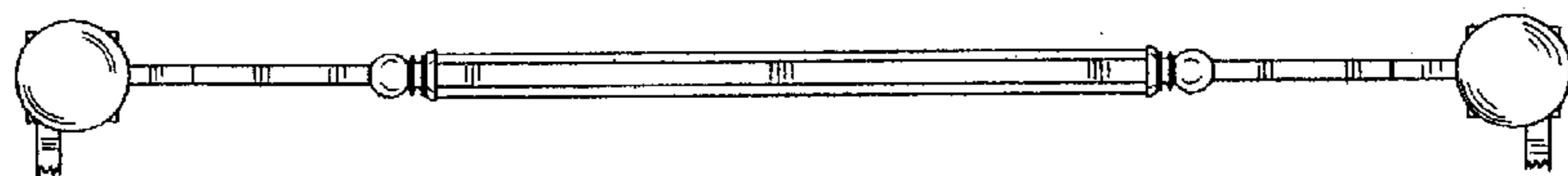


FIG. 6

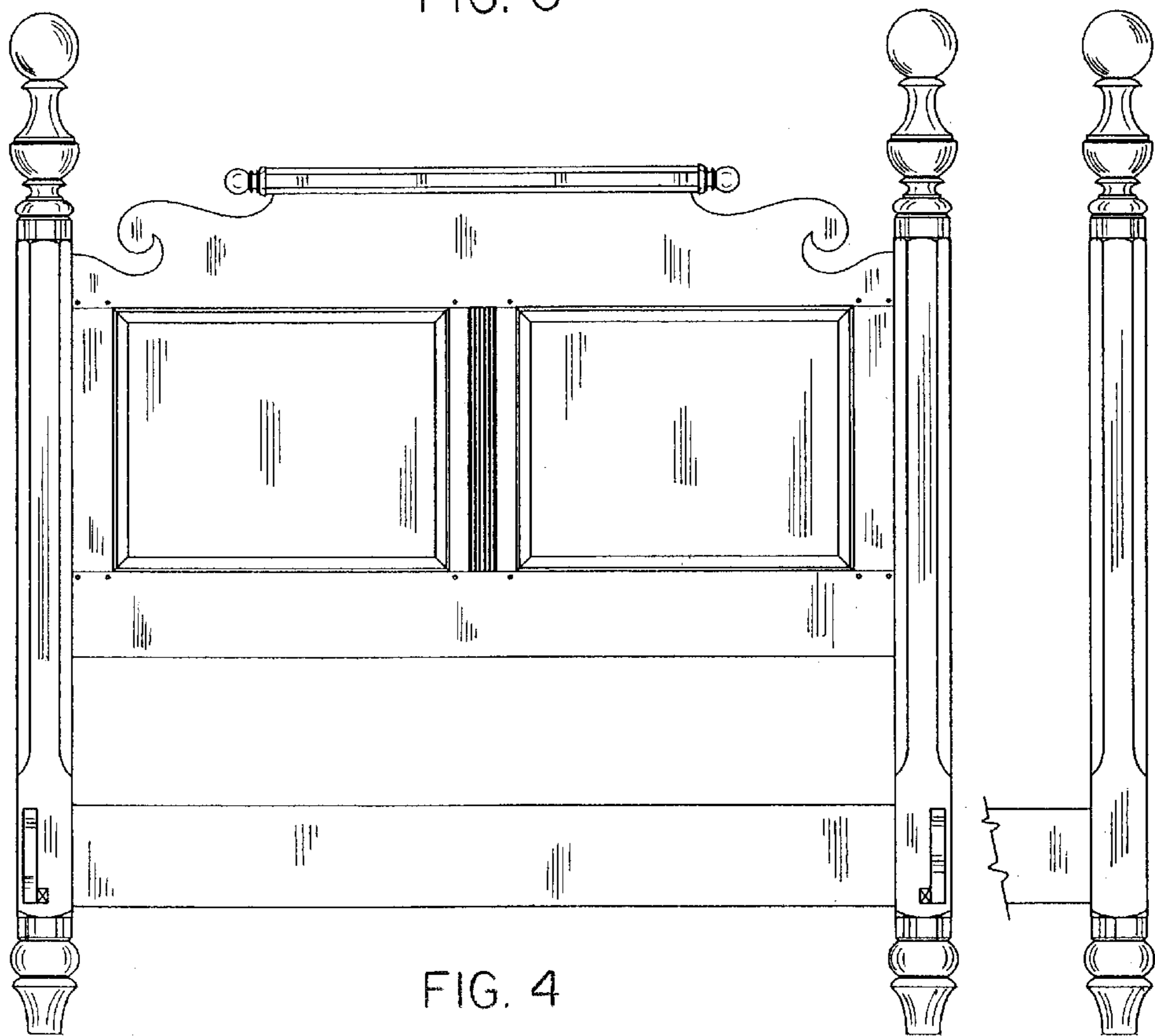


FIG. 4

FIG. 5

