



US00D482898S

(12) **United States Design Patent** (10) **Patent No.:** **US D482,898 S**
Ricci (45) **Date of Patent:** **** Dec. 2, 2003**

- (54) **SEAT**
- (75) Inventor: **Luca Ricci**, Forli (IT)
- (73) Assignee: **De Coro Ltd.**, Fanling (HK)
- (**) Term: **14 Years**
- (21) Appl. No.: **29/174,376**
- (22) Filed: **Jan. 15, 2003**
- (51) **LOC (7) Cl.** **06-01**
- (52) **U.S. Cl.** **D6/381; D6/334**
- (58) **Field of Search** **D6/334, 335, 364,**
D6/371, 373, 381, 500, 501, 502; 5/12.1;
297/232

(56) **References Cited**

U.S. PATENT DOCUMENTS

D179,682 S	*	2/1957	Glass	D6/381
D180,140 S	*	4/1957	Futorian	D6/381
D255,624 S	*	7/1980	Mosca	D6/334
D263,770 S	*	4/1982	Melchior	D6/334
D361,212 S	*	8/1995	Gibson	D6/334
D362,353 S		9/1995	Natuzzi et al.		
D369,480 S		5/1996	Natuzzi et al.		
D407,572 S		4/1999	Natuzzi et al.		
D425,711 S	*	5/2000	Desombre	D6/334
D429,082 S	*	8/2000	Desombre	D6/381
D430,738 S	*	9/2000	Zaidman	D6/334
D475,215 S	*	6/2003	Ricci	D6/381

OTHER PUBLICATIONS

De Coro Ltd. Sofa Model No. 2176, Apr. 2002, at the International Home Furnishing Market in High Point, N.C.
 De Coro Ltd. Sofa Model No. 2068, Apr. 2000, at the International Home Furnishing Market in High Point, N.C.
 De Coro Ltd. Sofa Model No. 154, Apr. 1998, at the International Home Furnishing Market in High Point, N.C.
 De Coro Ltd. Sofa Model No. 133, Apr. 1998, at the International Home Furnishing Market in High Point, N.C.
 De Coro Ltd. Sofa Model No. 132, Apr. 1998, at the International Home Furnishing Market in High Point, N.C.

De Coro Ltd. Sofa Model No. 106, Apr. 1998, at the International Home Furnishing Market in High Point, N.C.
 De Coro Ltd. Sofa Model No. 105, Apr. 1998, at the International Home Furnishing Market in High Point, N.C.
 De Coro Ltd. Sofa Model No. 2189 Apr. 2002, at the International Home Furnishing Market in High Point, N.C.
 De Coro Ltd. Sofa Model No. 2190 Apr. 2002, at the International Home Furnishing Market in High Point, N.C.
 De Coro Ltd. Sofa Model No. 2193, Apr. 2002, at the International Home Furnishing Market in High Point, N.C.

* cited by examiner

Primary Examiner—Gary D. Watson

(74) *Attorney, Agent, or Firm*—Luce, Forward, Hamilton & Scripps LLP

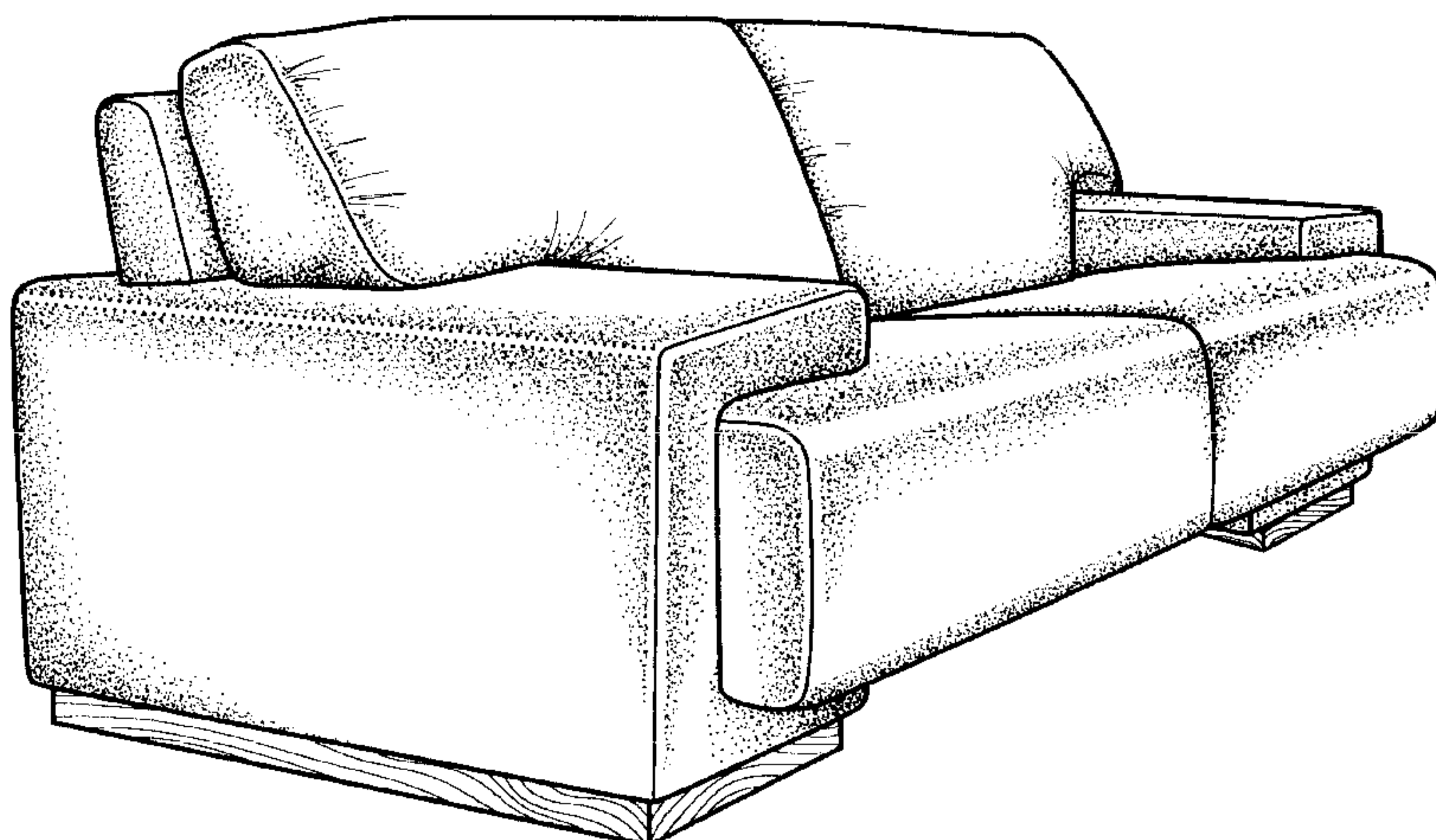
(57) **CLAIM**

The ornamental design for a seat, as shown and described.

DESCRIPTION

FIG. 1 is a front perspective view of one embodiment of my new seat design in the form of a sofa;
 FIG. 2 is a front elevation view of the embodiment of FIG. 1;
 FIG. 3 is a left, side elevation view of the embodiment of FIG. 1, with the right side elevational view being a mirror image thereof;
 FIG. 4 is a rear elevation view of the embodiment of FIG. 1;
 FIG. 5 is a front perspective view of a second embodiment of my new seat design in the form of a chair;
 FIG. 6 is a front elevation view of the embodiment of FIG. 5; and,
 FIG. 7 is a rear elevation view of the embodiment of FIG. 5.
 The end view of FIGS. 5, 6, and 7 are like that shown in FIG. 3.
 The broken line disclosure is for illustrative purposes only and forms no part of the claimed design.

1 Claim, 4 Drawing Sheets



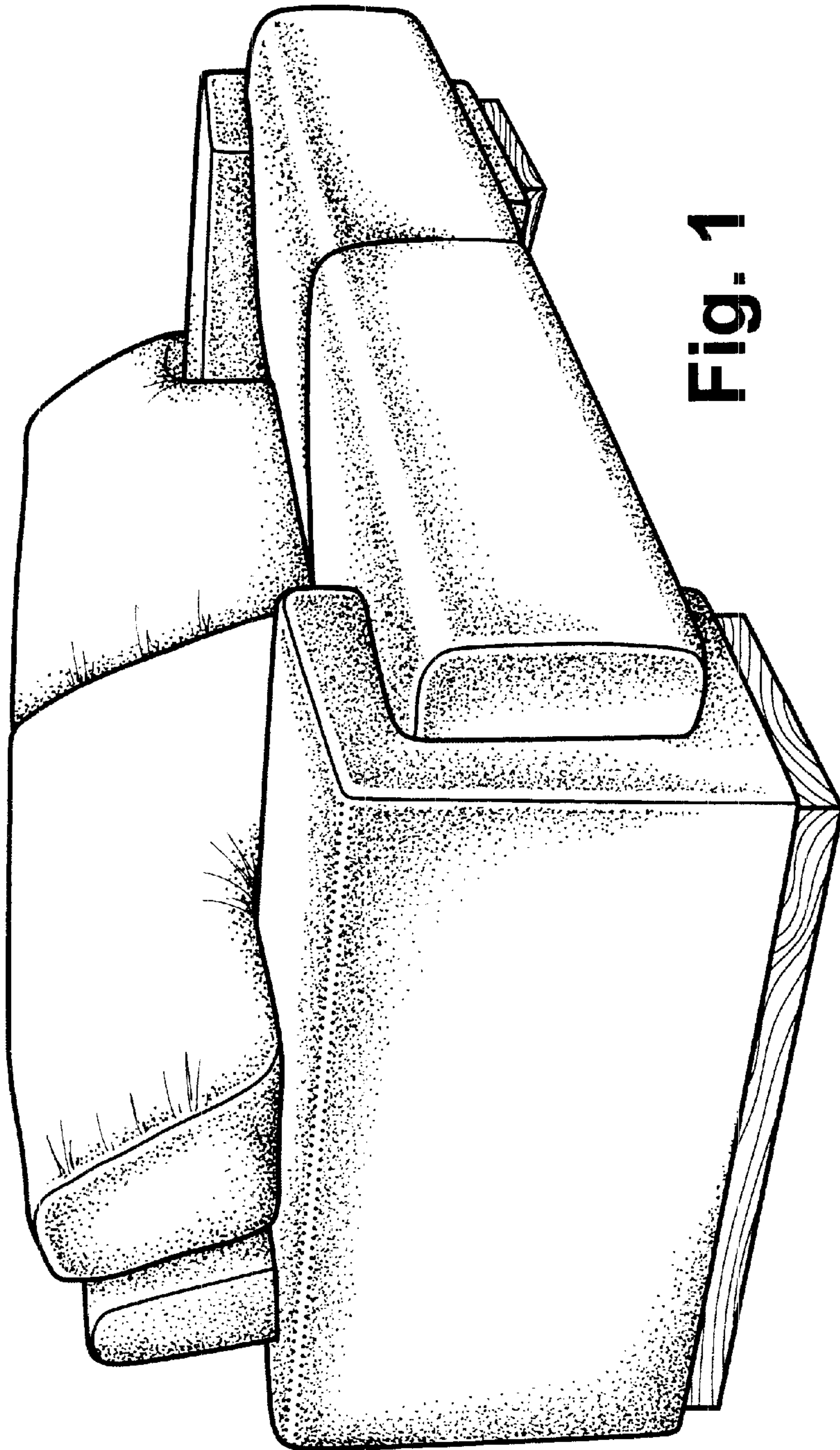


Fig. 1

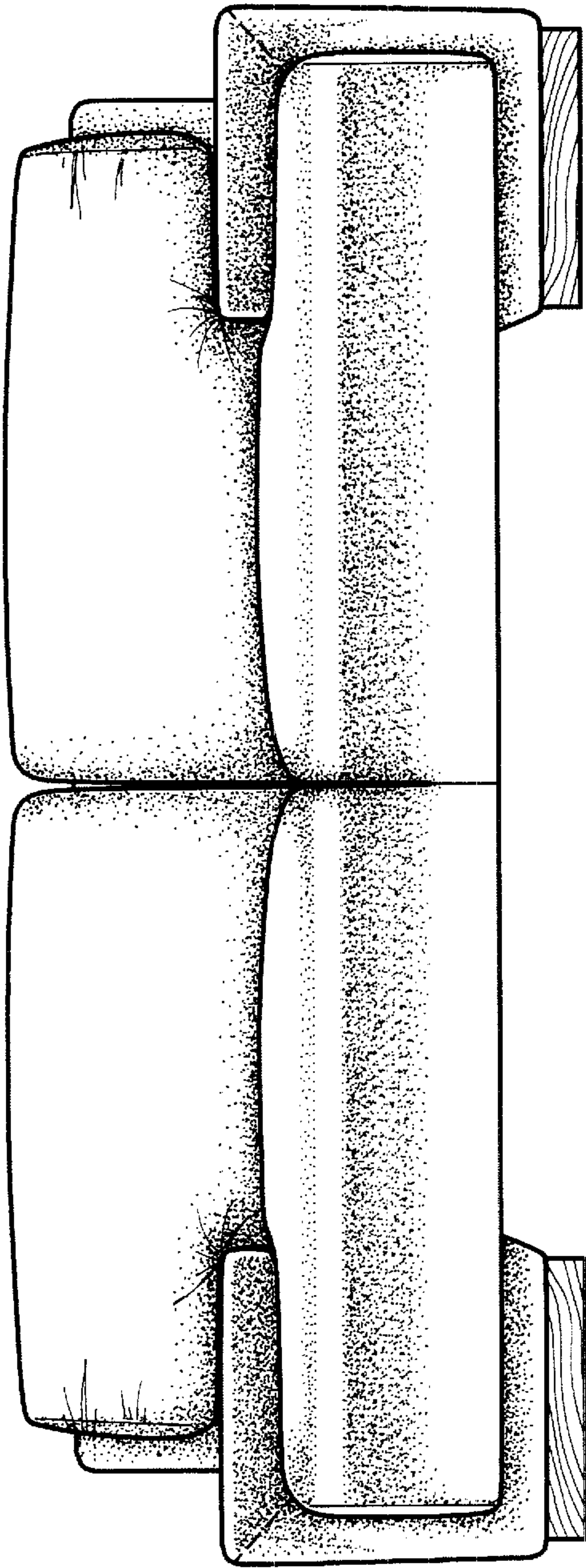


Fig. 2

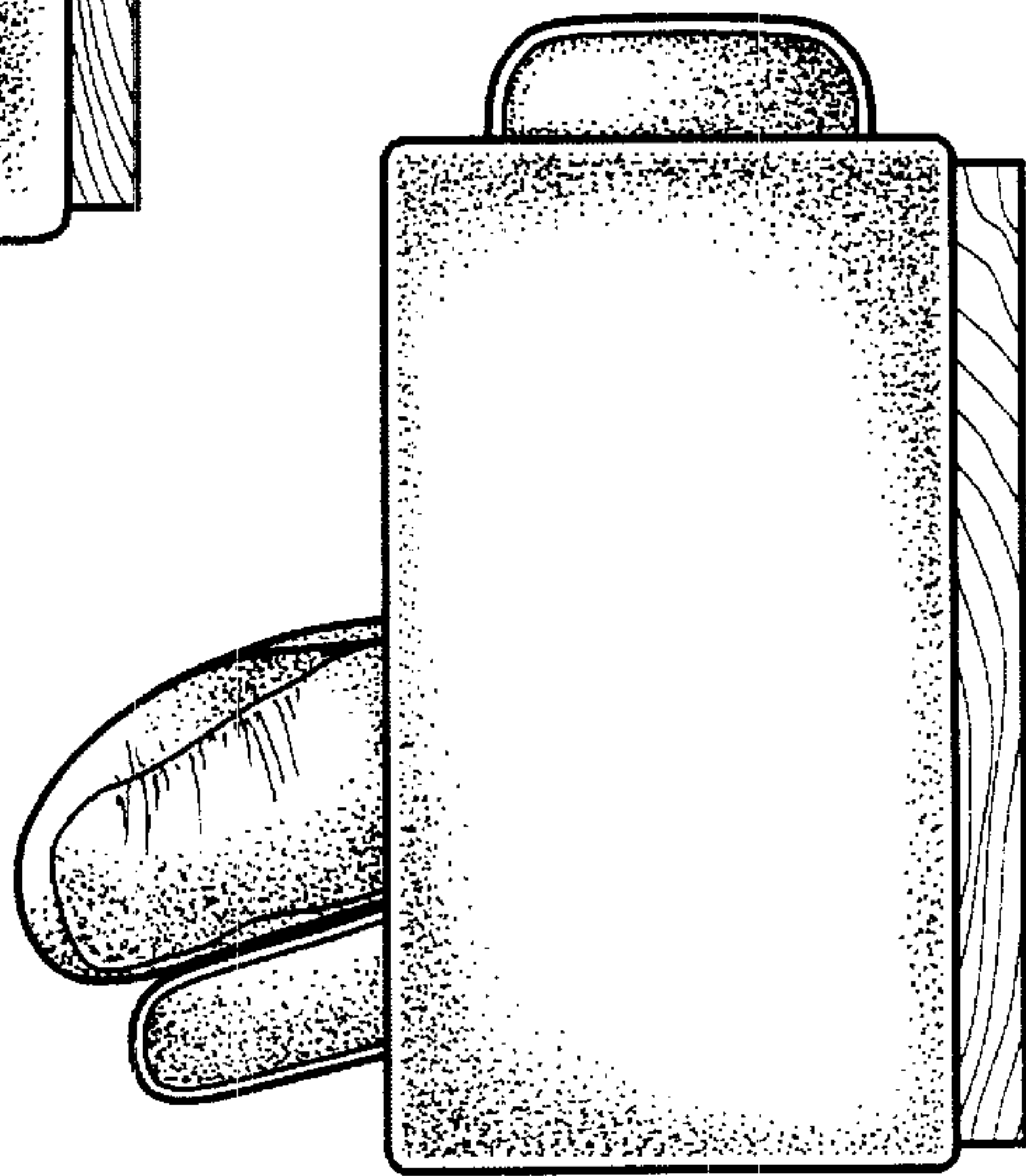


Fig. 3

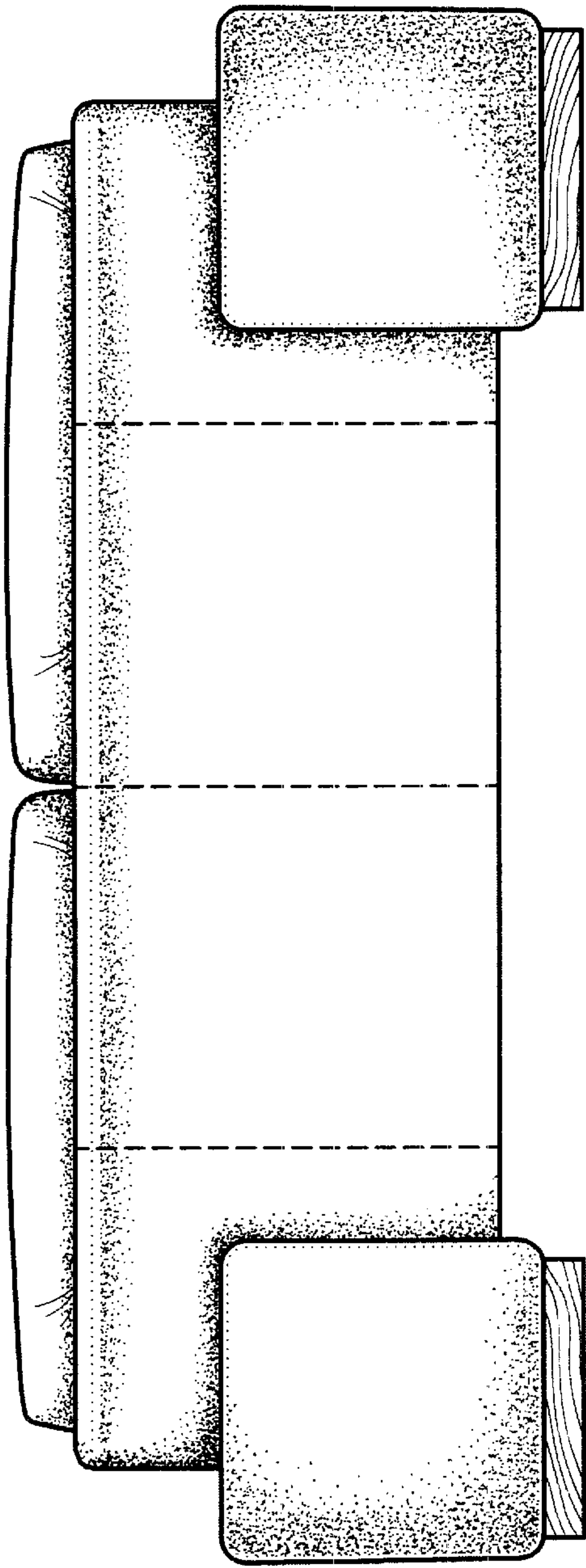


Fig. 4

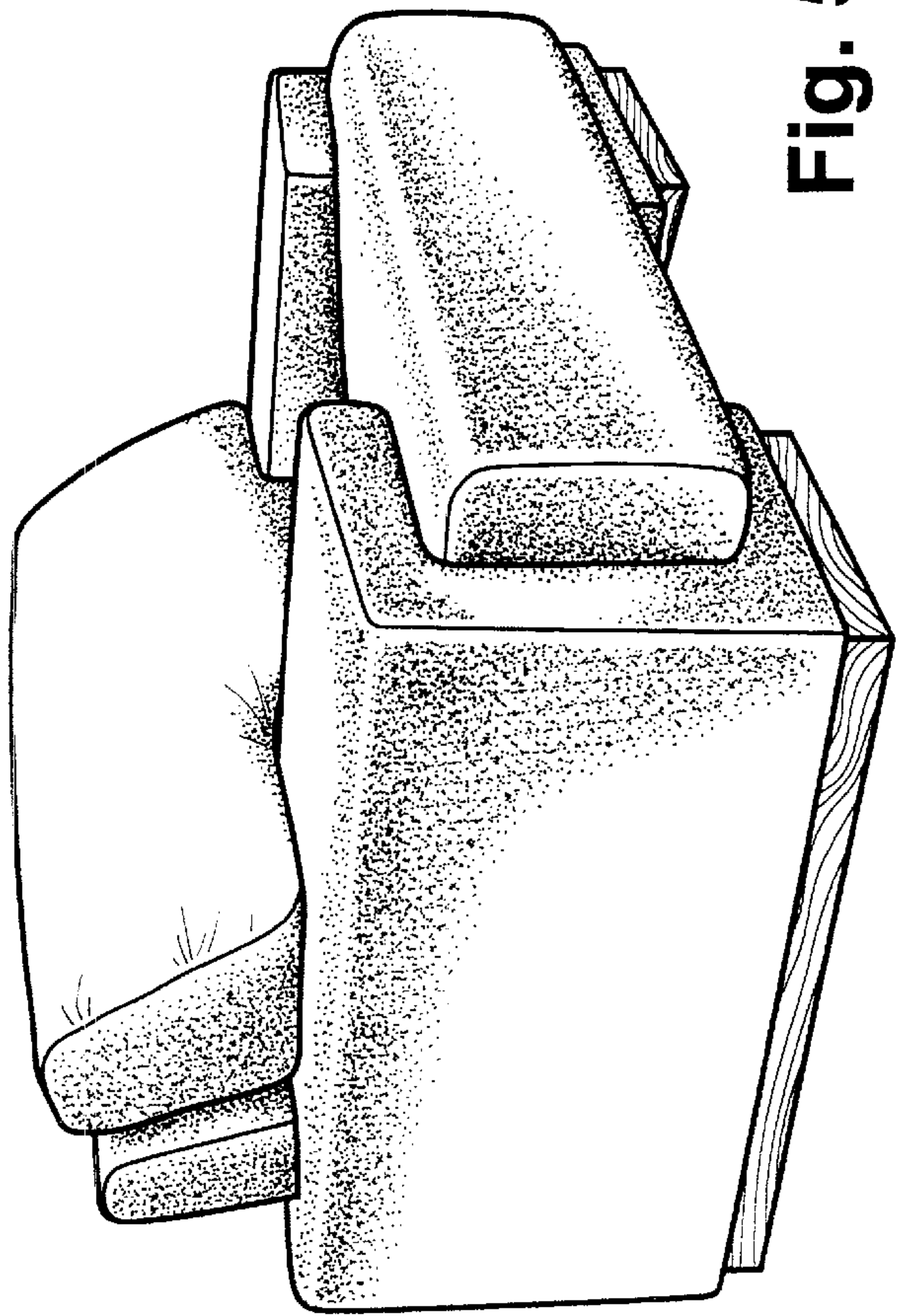


Fig. 5

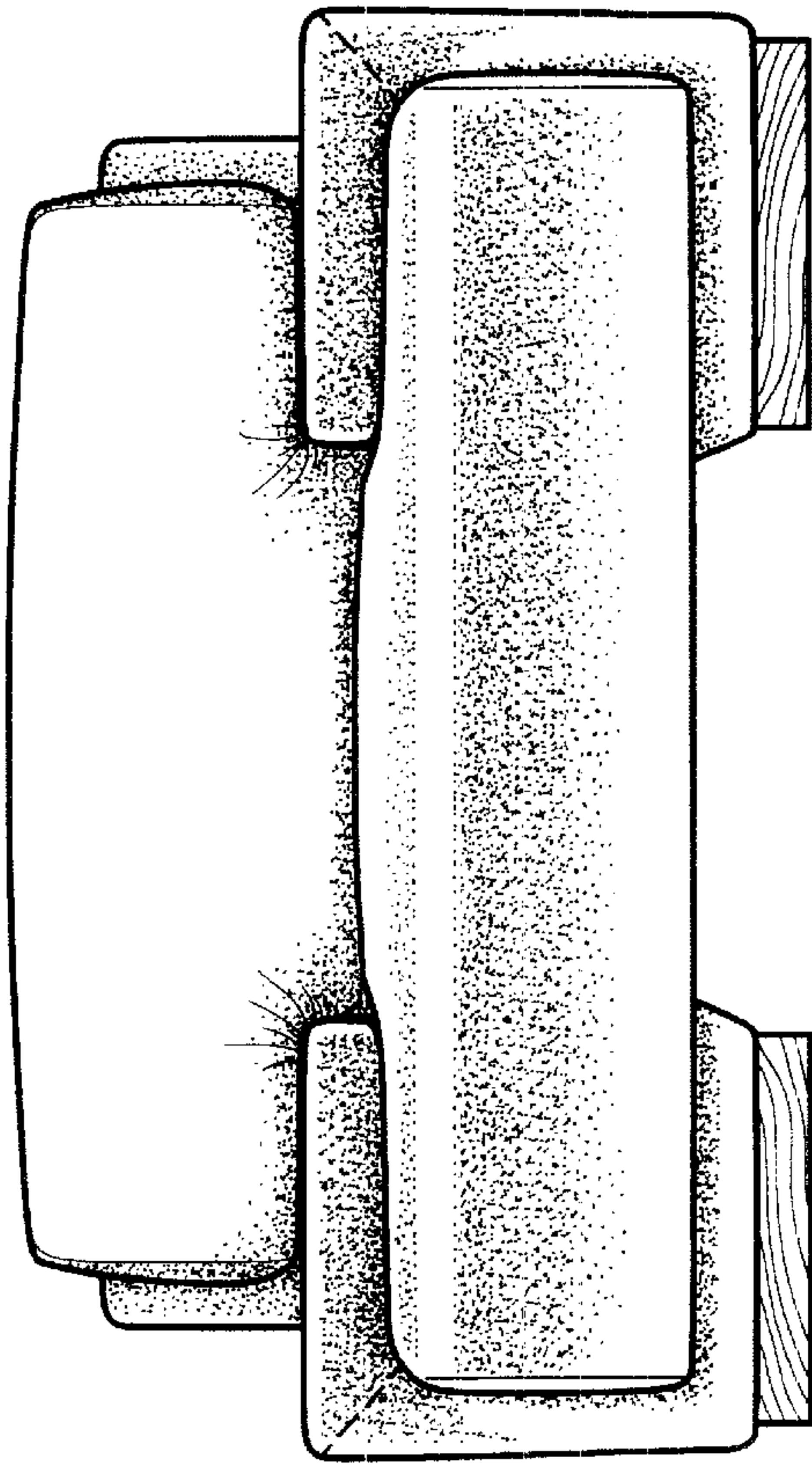


Fig. 6

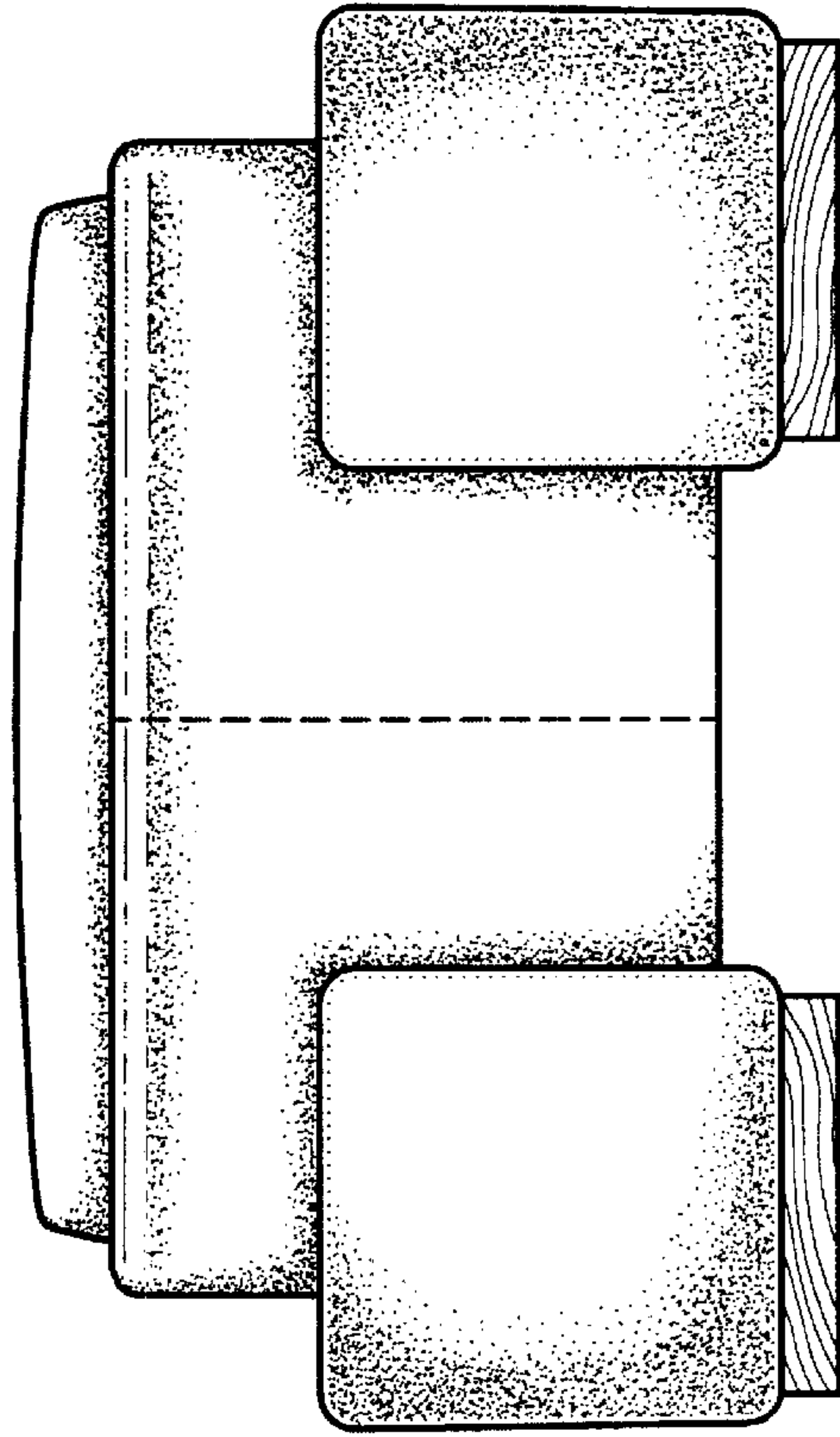


Fig. 7