



US00D482876S

(12) **United States Design Patent**
Shea

(10) **Patent No.:** **US D482,876 S**

(45) **Date of Patent:** **** Dec. 2, 2003**

(54) **DOOR HINGE MASK**

(75) Inventor: **Donald Lee Shea**, 708 Georgia Ave.,
Statesville, NC (US) 28677

(73) Assignee: **Donald Lee Shea**, Statesville, NC (US)

(**) Term: **14 Years**

(21) Appl. No.: **29/157,194**

(22) Filed: **Mar. 14, 2002**

(51) **LOC (7) Cl.** **05-99**

(52) **U.S. Cl.** **D5/99**

(58) **Field of Search** D5/1, 2, 3, 7,
D5/8, 11, 19, 20, 23, 25, 30, 32, 41, 45,
46, 47, 49, 50, 52, 53, 54, 55, 56, 57, 58,
59, 60, 61, 62, 63, 64, 99; D2/749, 994;
D6/582, 583, 595, 596, 598, 603, 604,
605, 608, 613, 616, 617, 622; D24/124,
125; D25/142, 152; 428/17, 18, 151, 154,
156, 171, 187, 198, 199, 540, 542.2, 542.6,
904.4, 919; 5/413 AM, 709; D7/396.4,
396.5; 162/134, 231, 140; 156/209, 148

(56) **References Cited**

U.S. PATENT DOCUMENTS

4,696,706 A * 9/1987 Griffin et al. 428/187

5,348,780 A * 9/1994 Boggs et al. 428/187
5,482,753 A * 1/1996 Langan et al. 428/187
5,520,990 A * 5/1996 Rotermund 428/187
5,534,320 A * 7/1996 Raby 428/187
D373,043 S * 8/1996 Zumbo et al. D6/613
6,037,042 A * 3/2000 Kato et al. 428/198

* cited by examiner

Primary Examiner—Doris V. Coles
Assistant Examiner—T. Chase Nelson

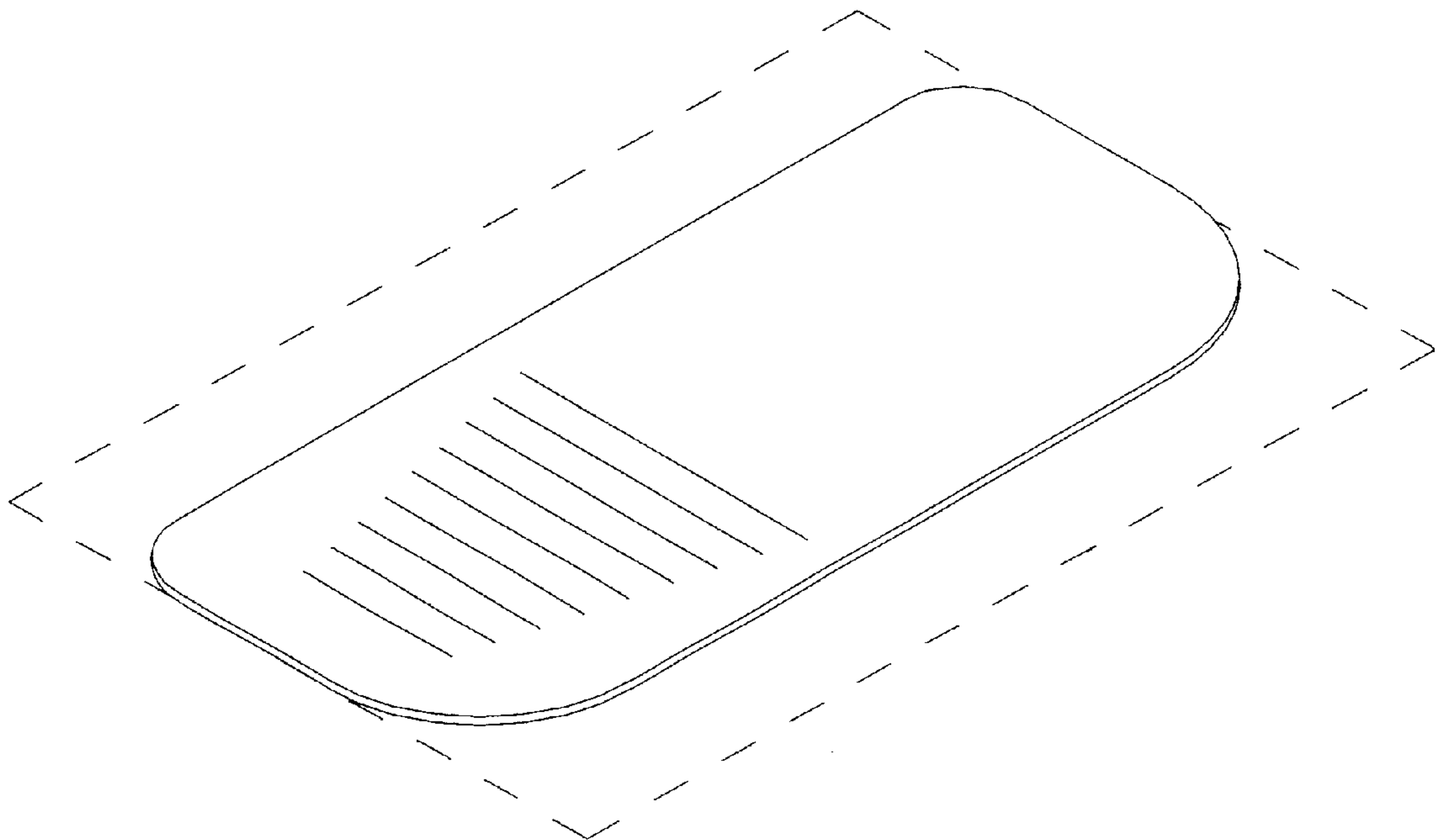
(57) **CLAIM**

The ornamental design for a door hinge mask, as shown and described.

DESCRIPTION

FIG. 1 is a perspective view of a door hinge mask showing my new design;
FIG. 2 is a front elevational view thereof;
FIG. 3 is a right side elevational view thereof;
FIG. 4 is a top plan view thereof; and,
FIG. 5 is a perspective view of a door hinge mask shown on a roll of painter's tape;
The broken line showing of environmental structure is for illustrative purposes only and forms no part of the claimed design.

1 Claim, 2 Drawing Sheets



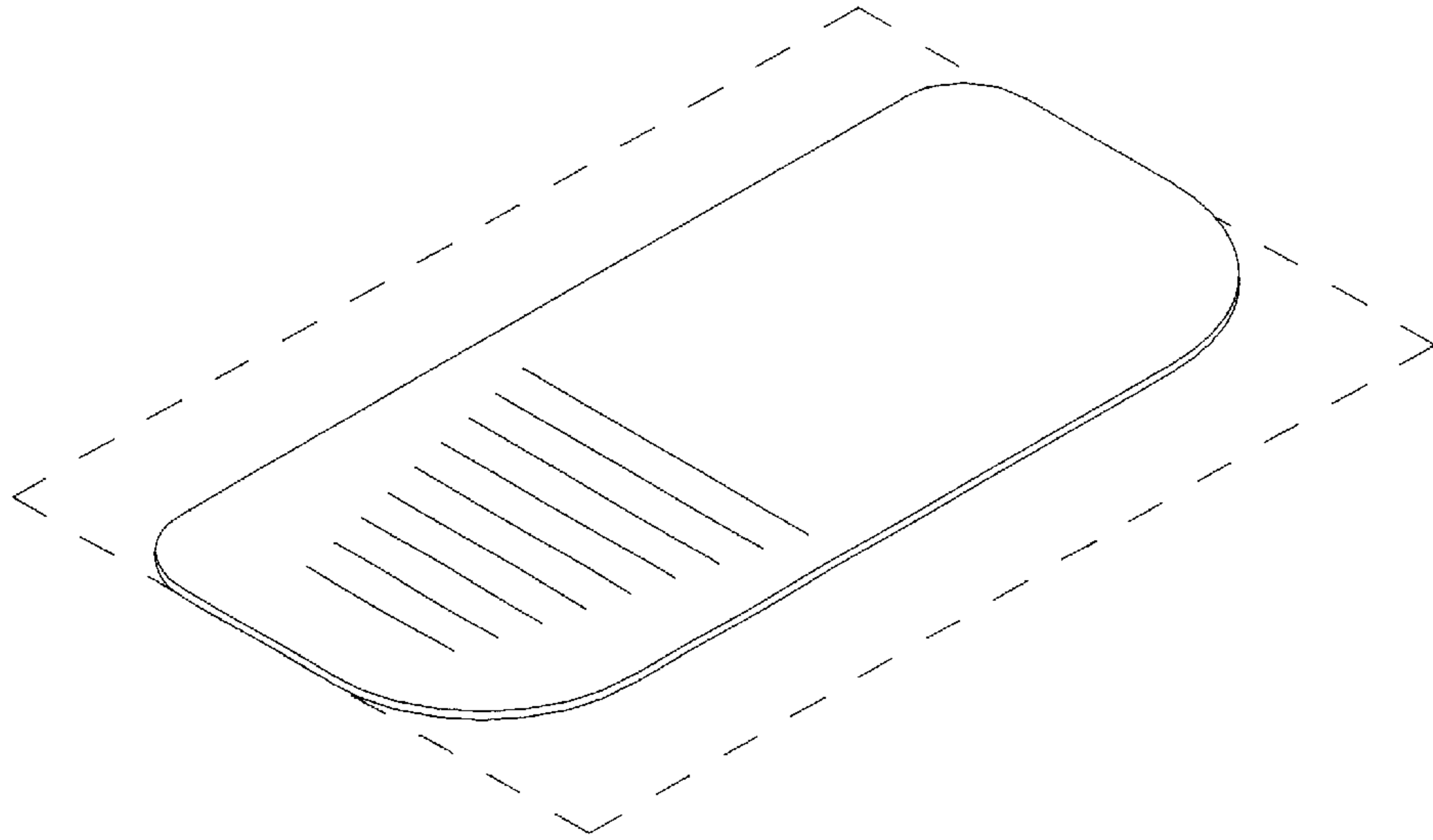


FIG. 1

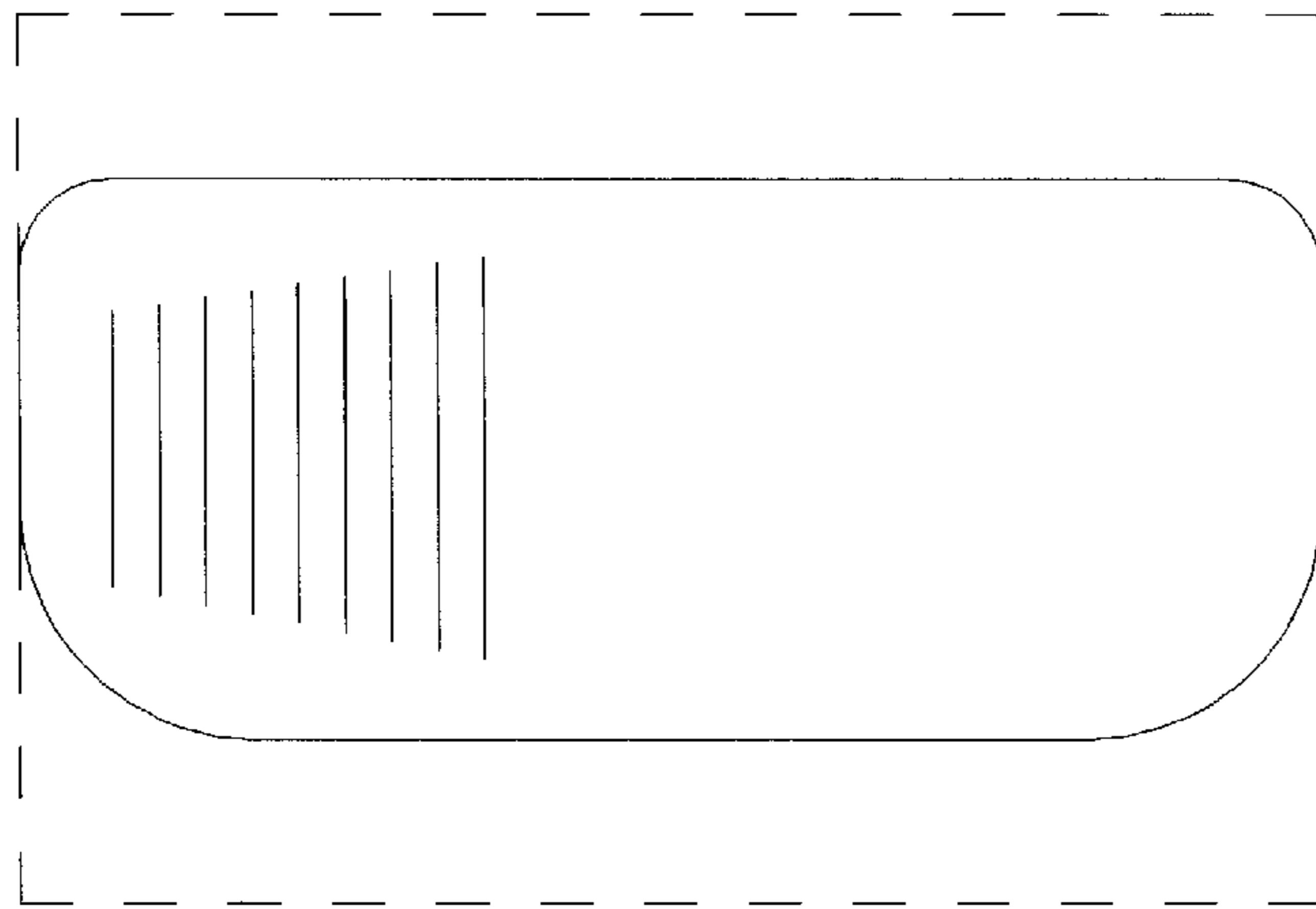


FIG. 4



FIG. 3

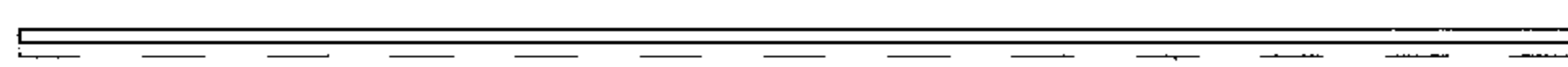


FIG. 2

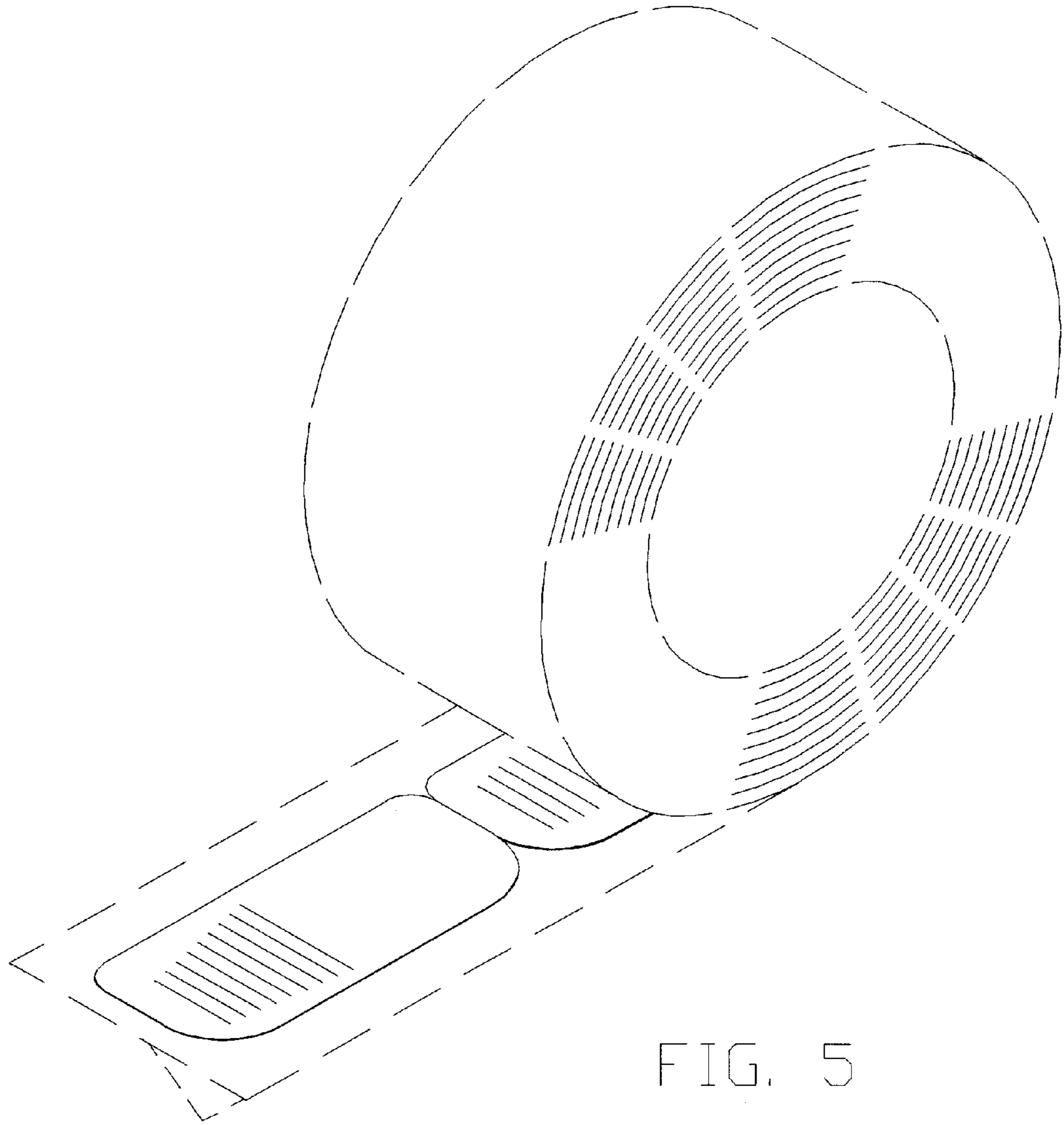


FIG. 5