



US00D482873S

(12) **United States Design Patent**
Greenberg

(10) **Patent No.:** **US D482,873 S**

(45) **Date of Patent:** **** Dec. 2, 2003**

(54) **PUSH BROOM**

(76) **Inventor:** **William A. Greenberg**, 2059 LaCrosse Ave., St. Paul, MN (US) 55119

(**) **Term:** **14 Years**

(21) **Appl. No.:** **29/178,908**

(22) **Filed:** **Apr. 1, 2003**

(51) **LOC (7) Cl.** **04-01**

(52) **U.S. Cl.** **D4/132**

(58) **Field of Search** D4/132, 138, 199;
D8/10-11, 13, 107; D32/50-51; 15/143.1,
145, 146, 159.1, 160, 171, 175, 176.1;
16/110.1, 422, 430, 431, 426; 294/57-58;
403/192

(56) **References Cited**

U.S. PATENT DOCUMENTS

986,796	A	*	3/1911	Behm	16/426	X
2,482,589	A	*	9/1949	Maguire	15/143.1	X
2,753,579	A		7/1956	Kussmann			
4,704,758	A		11/1987	Hoffman			
4,767,141	A	*	8/1988	Martin	294/58	X
4,809,388	A		3/1989	Dietrich			
4,958,407	A		9/1990	Johnson			
5,001,802	A		3/1991	Humphrey			
5,060,343	A		10/1991	Nisenbaum			
5,133,101	A		7/1992	Hauser et al.			
5,165,144	A		11/1992	Nisenbaum			
D343,555	S	*	1/1994	Bonner, III	D8/11	
D353,752	S		12/1994	Page			
D359,605	S		6/1995	Janikowski			
5,502,862	A	*	4/1996	Vosbikian	15/175	

D376,742	S	*	12/1996	Filowiak et al.	D8/13	
D383,580	S		9/1997	Bolster et al.			
D388,934	S		1/1998	Ames, Jr. et al.			
D392,103	S	*	3/1998	Zaccheria	D4/132	
5,771,535	A		6/1998	Blessing			
5,791,006	A		8/1998	Anctil			
D411,673	S		6/1999	Biggs et al.			
5,920,944	A		7/1999	Biggs et al.			
D413,234	S		8/1999	Spear			
5,940,933	A		8/1999	Chang			
D433,890	S		11/2000	Scaringella			
6,170,112	B1		1/2001	Mayfield et al.			
6,203,626	B1		3/2001	Biggs et al.			
6,487,747	B2		12/2002	Cavalheiro			
2002/0144369	A1		10/2002	Biggs et al.			

* cited by examiner

Primary Examiner—Marcus A. Jackson

Assistant Examiner—Lavone D. Tabor

(74) *Attorney, Agent, or Firm*—Kagan Binder, PLLC.

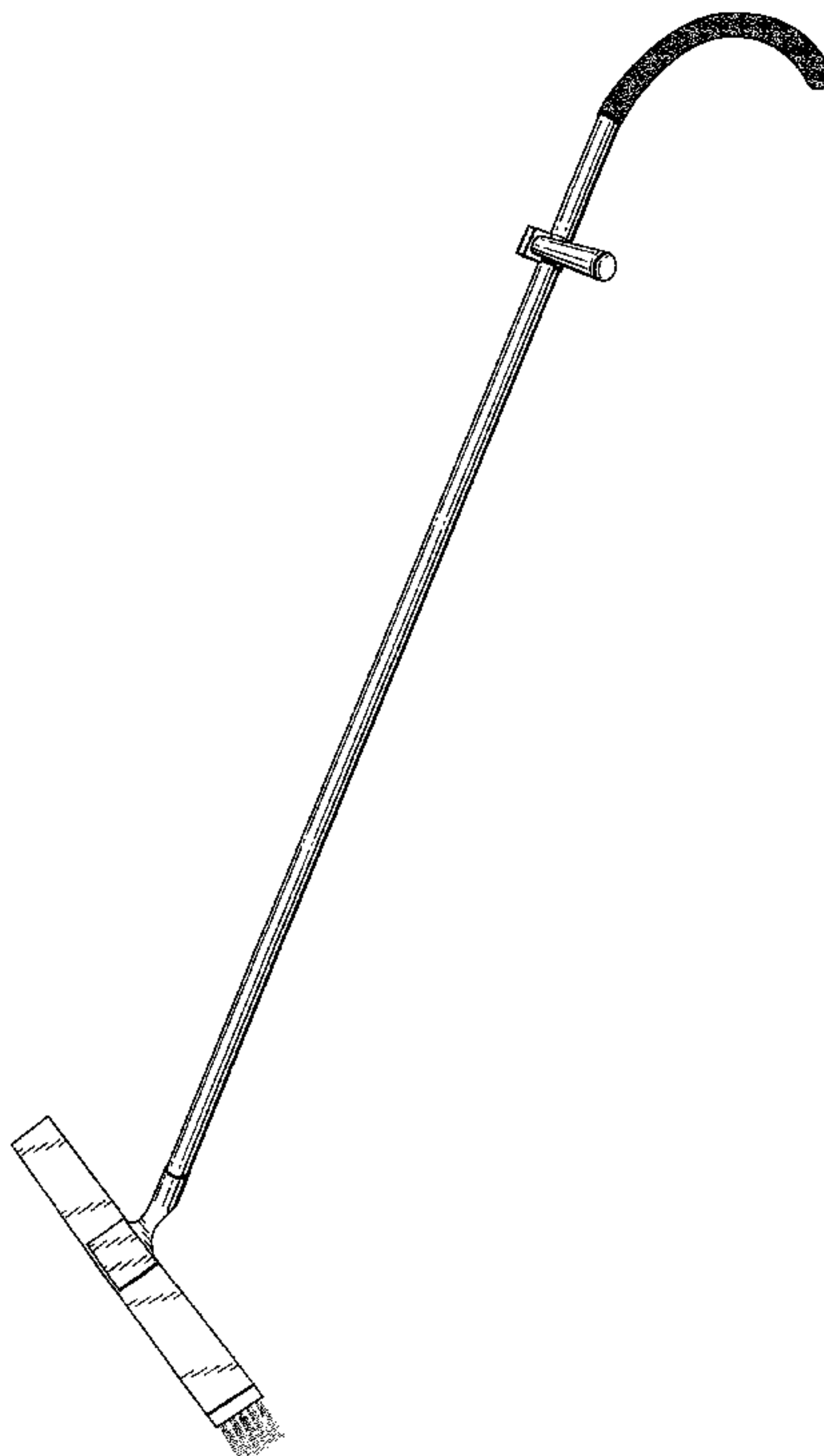
(57) **CLAIM**

The ornamental design for a push broom, as shown.

DESCRIPTION

FIG. 1 is a perspective view of a push broom of the present design shown with a broom head;
FIG. 2 is a left side elevational view thereof;
FIG. 3 is a right side elevational view thereof;
FIG. 4 is a front elevational view thereof;
FIG. 5 is a rear elevational view thereof;
FIG. 6 is a top plan view thereof; and,
FIG. 7 is a bottom plan view thereof.

1 Claim, 6 Drawing Sheets



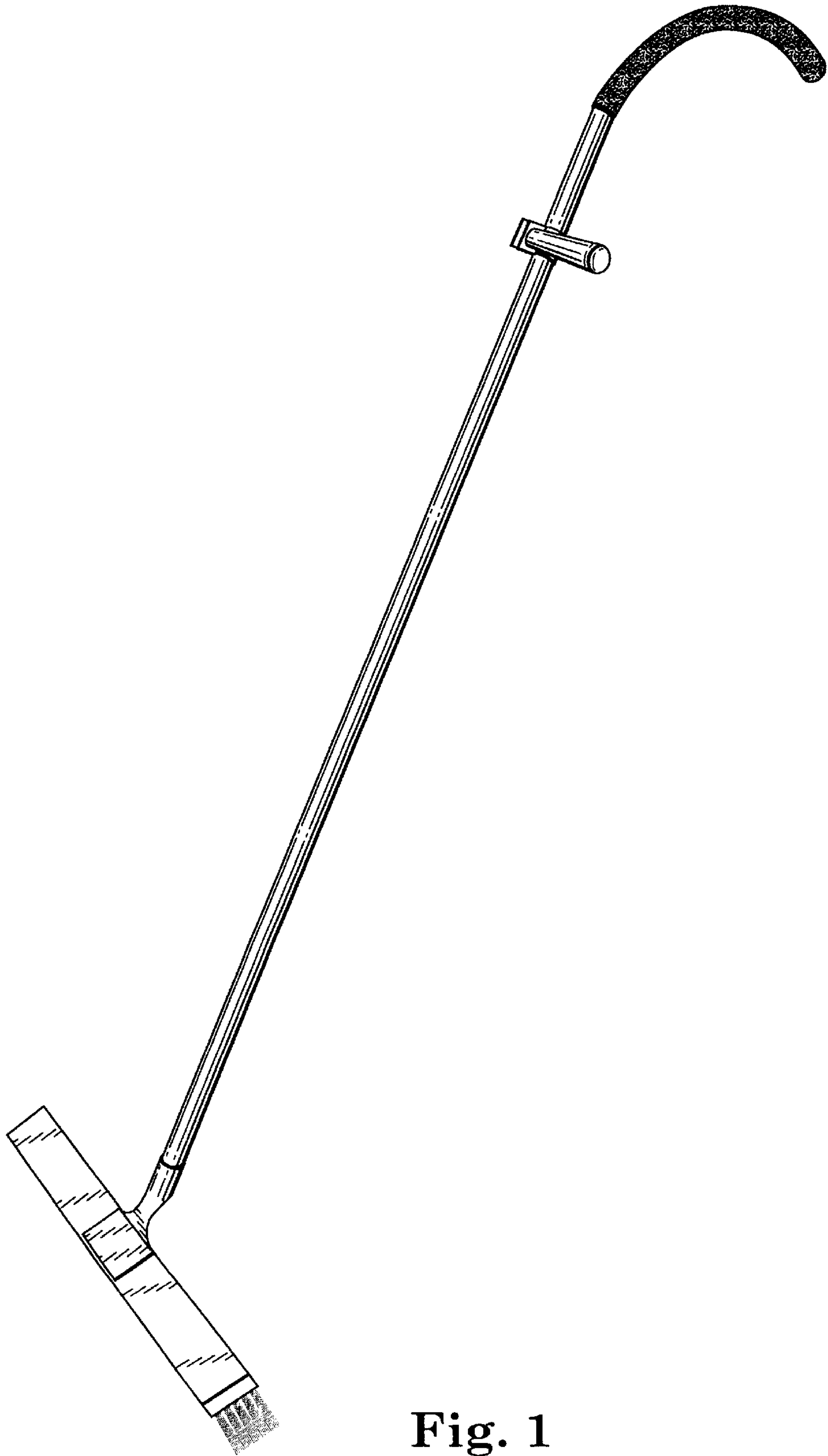


Fig. 1

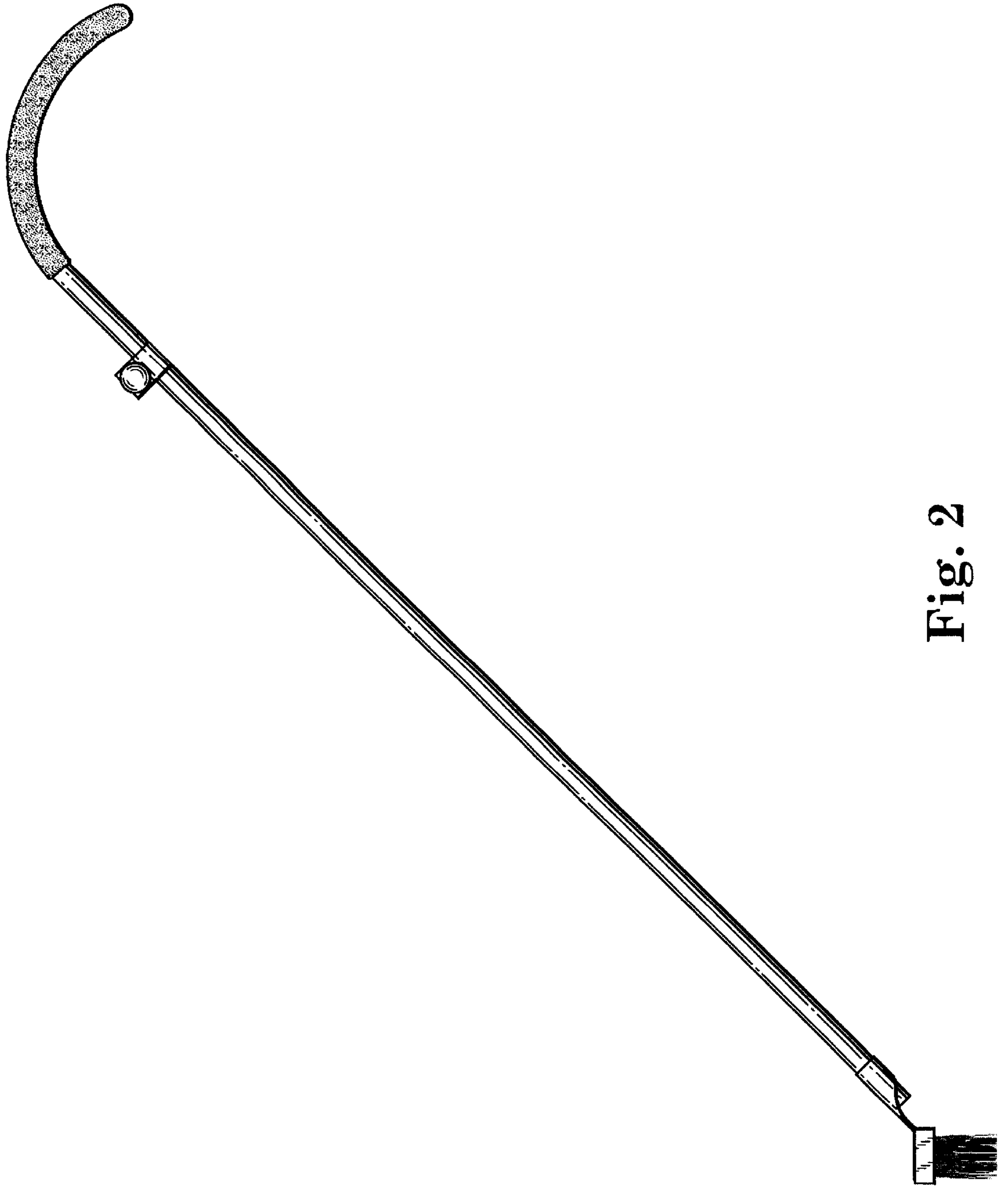


Fig. 2

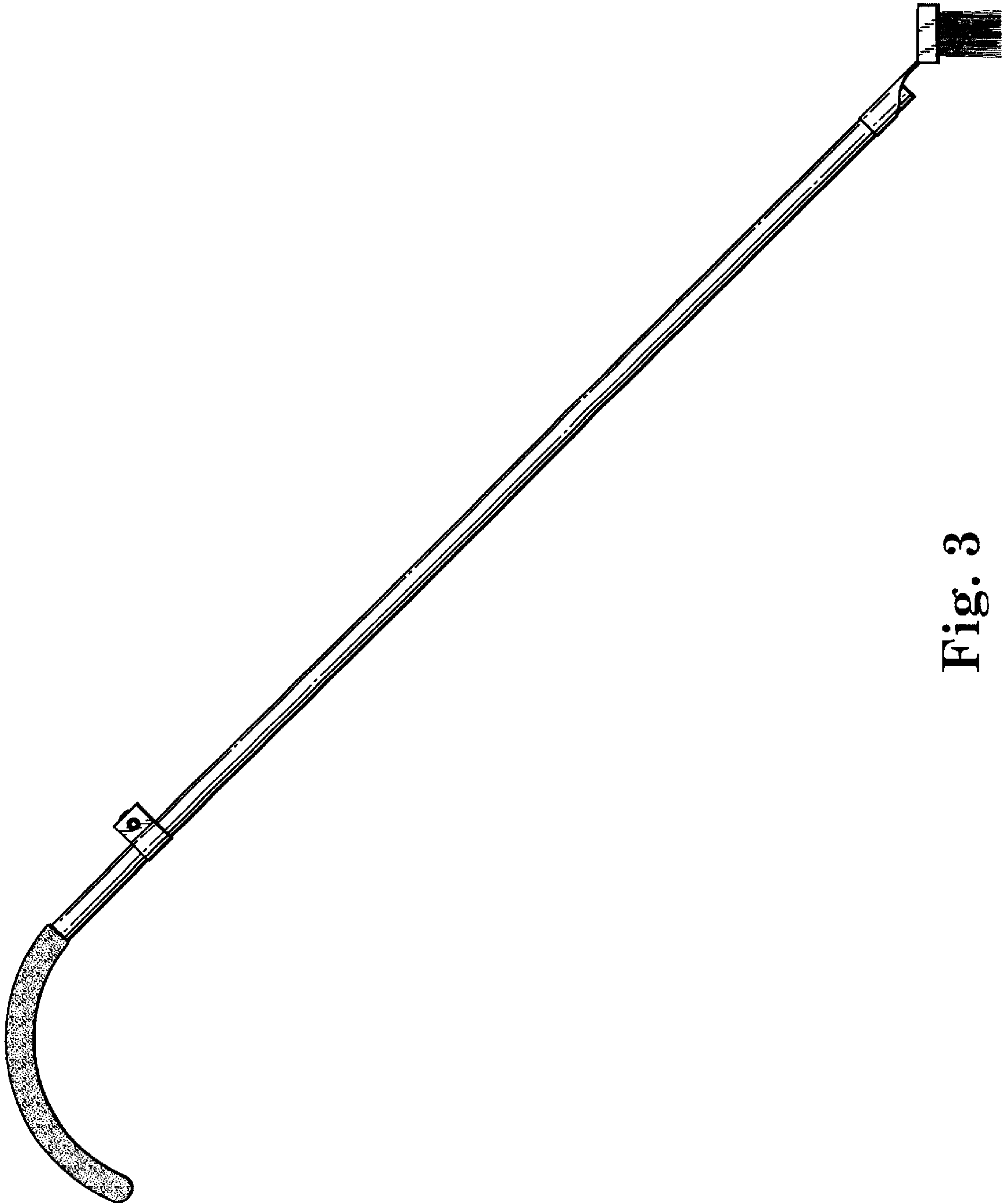


Fig. 3

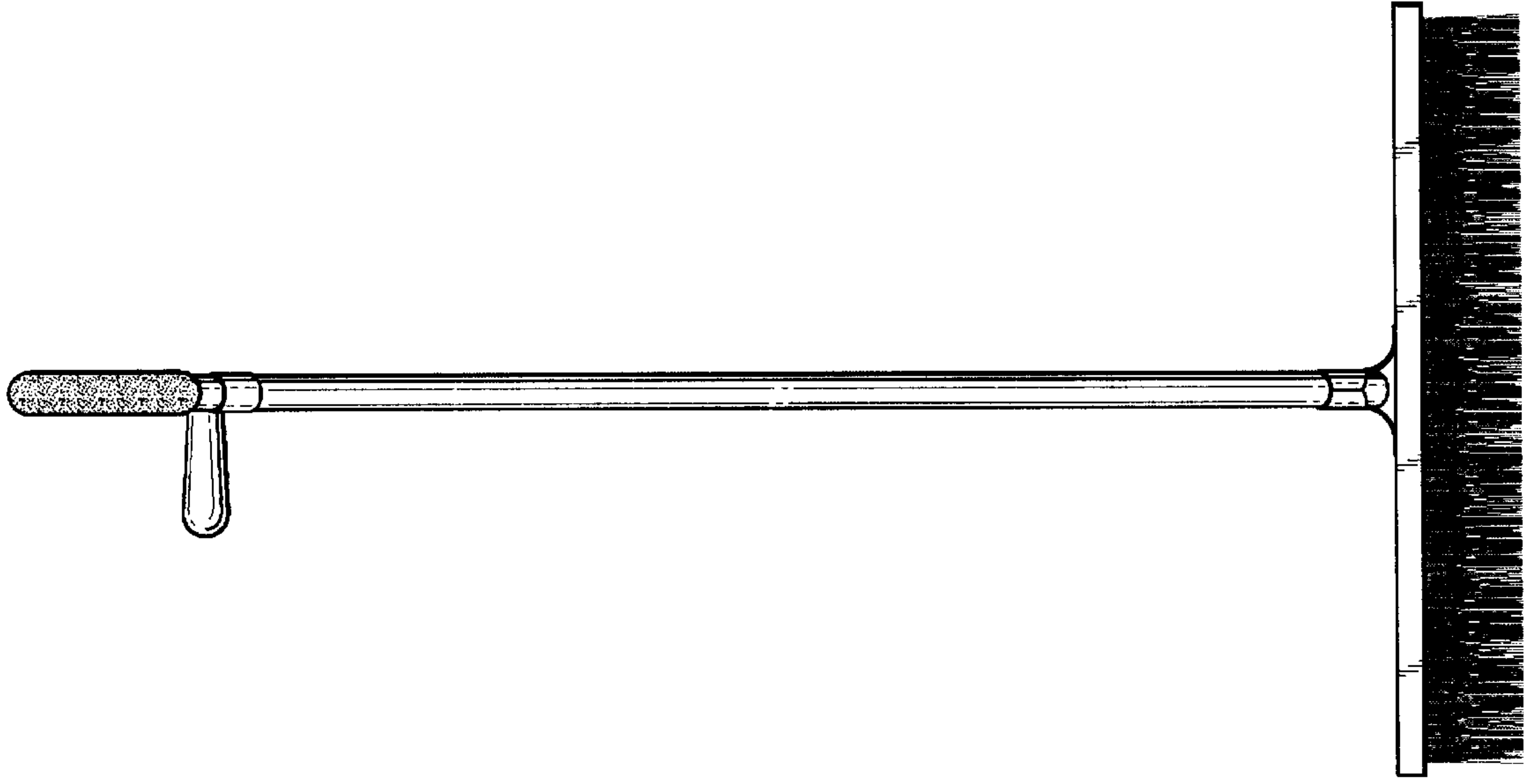


Fig. 5

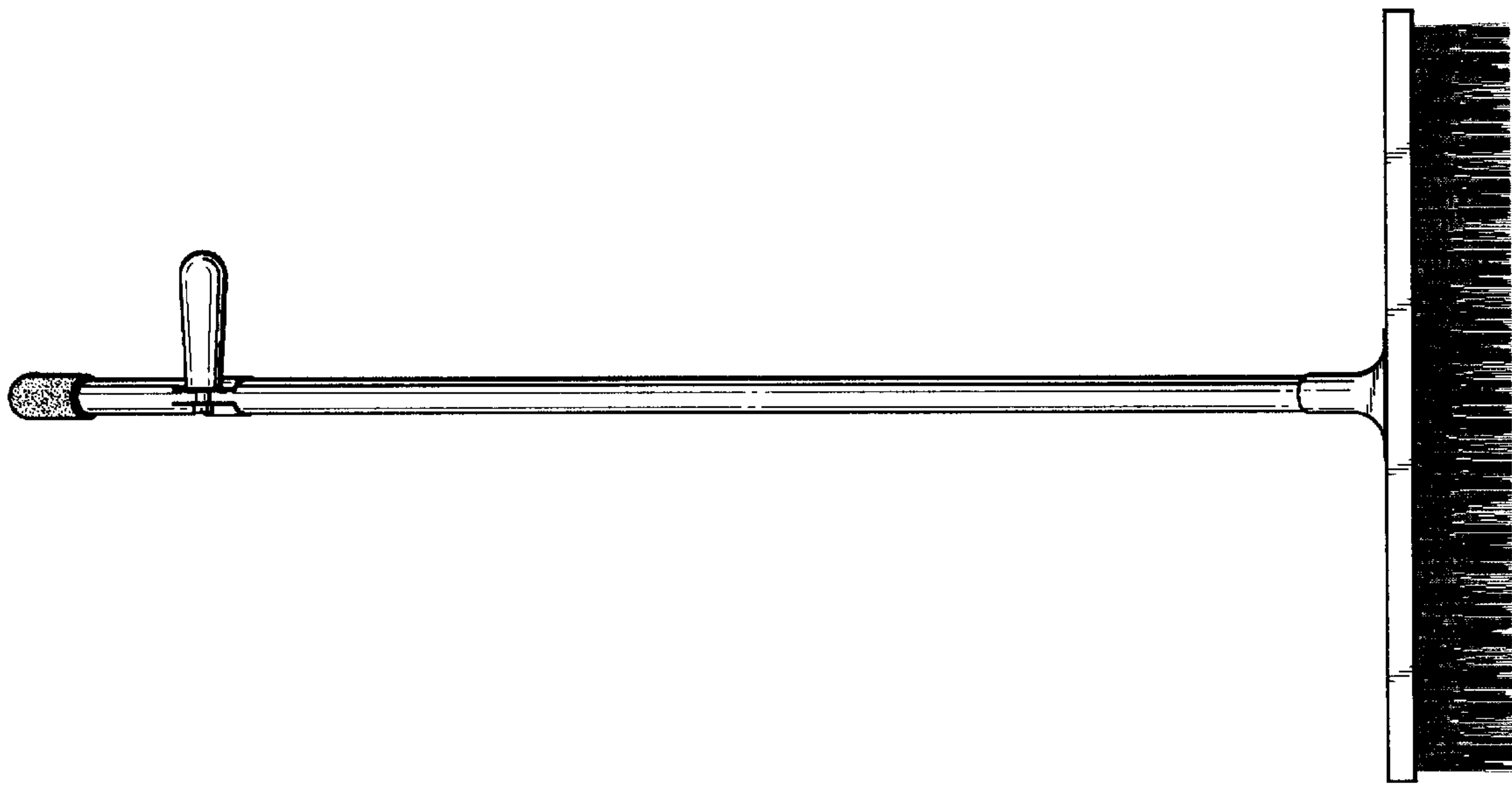


Fig. 4

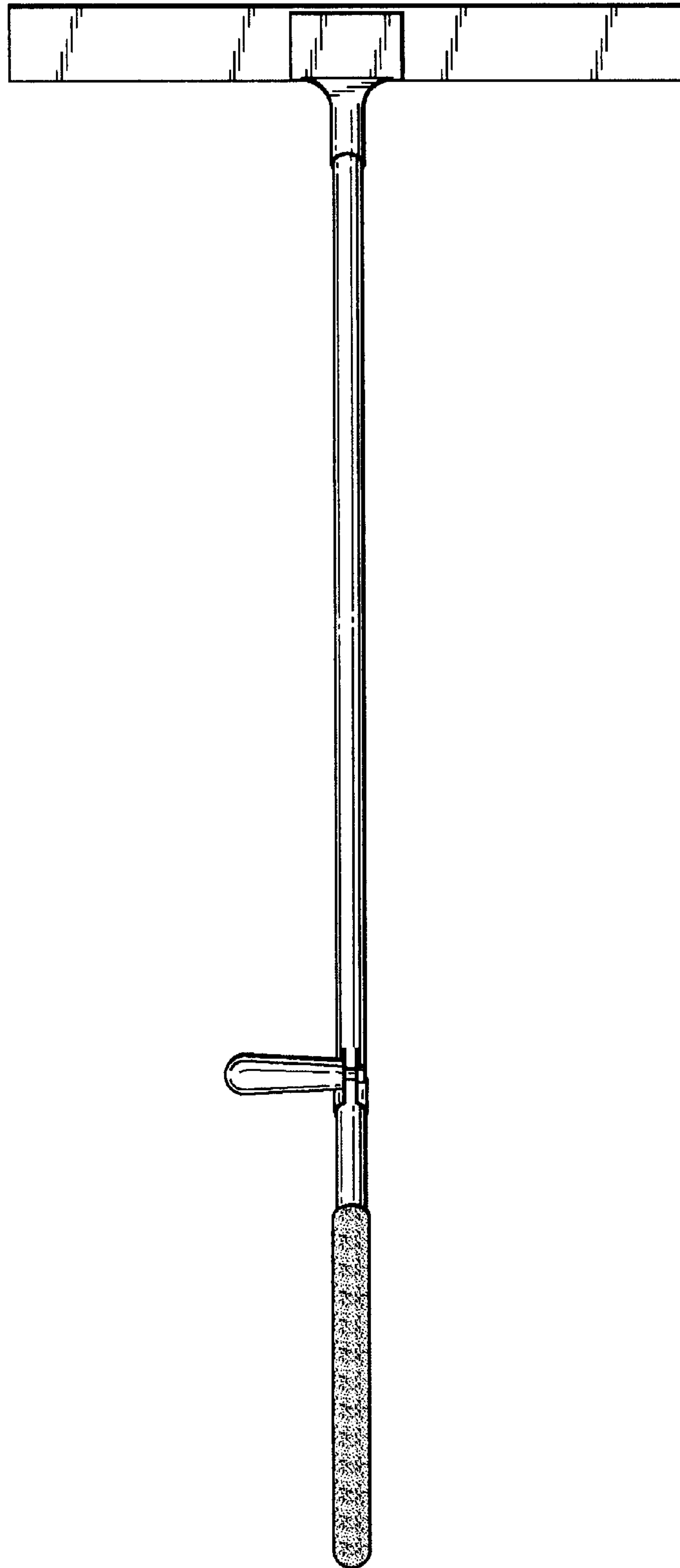


Fig. 6

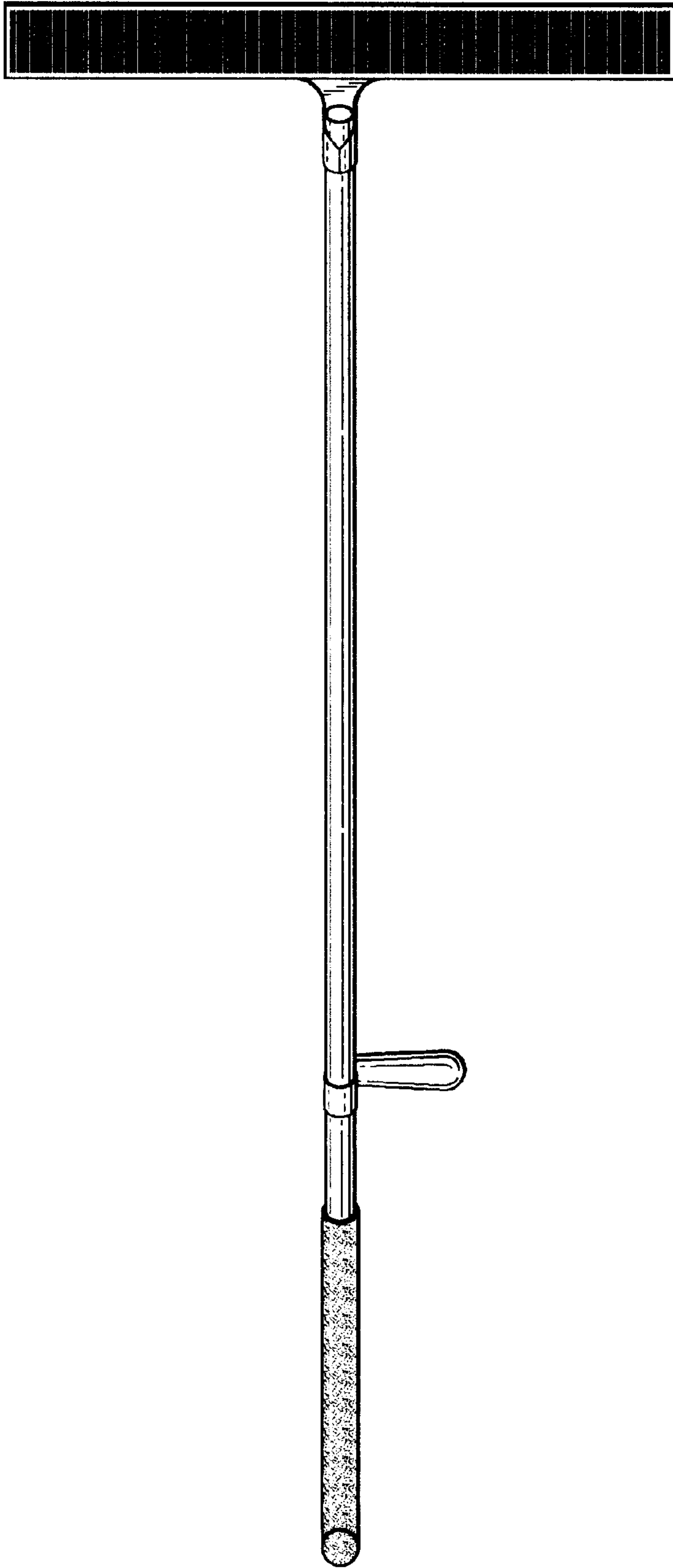


Fig. 7