



US00D482869S

(12) **United States Design Patent**  
**Chen**

(10) **Patent No.:** **US D482,869 S**

(45) **Date of Patent:** **\*\* Dec. 2, 2003**

(54) **TOOL CASE**

(76) **Inventor:** **Kun-Chen Chen**, No. 6, Lane 609,  
Sec. 1, Chung-Shan Rd., Ye-Her Li,  
Tachia Chen, Taichung Hsien (TW)

(\*\*) **Term:** **14 Years**

(21) **Appl. No.:** **29/162,767**

(22) **Filed:** **Jun. 20, 2002**

(51) **LOC (7) Cl.** ..... **03-01**

(52) **U.S. Cl.** ..... **D3/282; D3/905**

(58) **Field of Search** ..... D3/282, 281, 276,  
D3/273, 294, 905, 315; 206/373, 372, 349,  
379, 378; 190/100, 109, 110

(56) **References Cited**

**U.S. PATENT DOCUMENTS**

D440,043 S \* 4/2001 Miller et al. .... D3/282  
6,375,007 B1 \* 4/2002 Huang ..... 206/373

D462,520 S \* 9/2002 Snider ..... D3/282  
D471,360 S \* 3/2003 Huang ..... D3/282

\* cited by examiner

*Primary Examiner*—Catherine R. Oliver  
(74) *Attorney, Agent, or Firm*—Alan D. Kamrath; Rider  
Bennett, LLP.

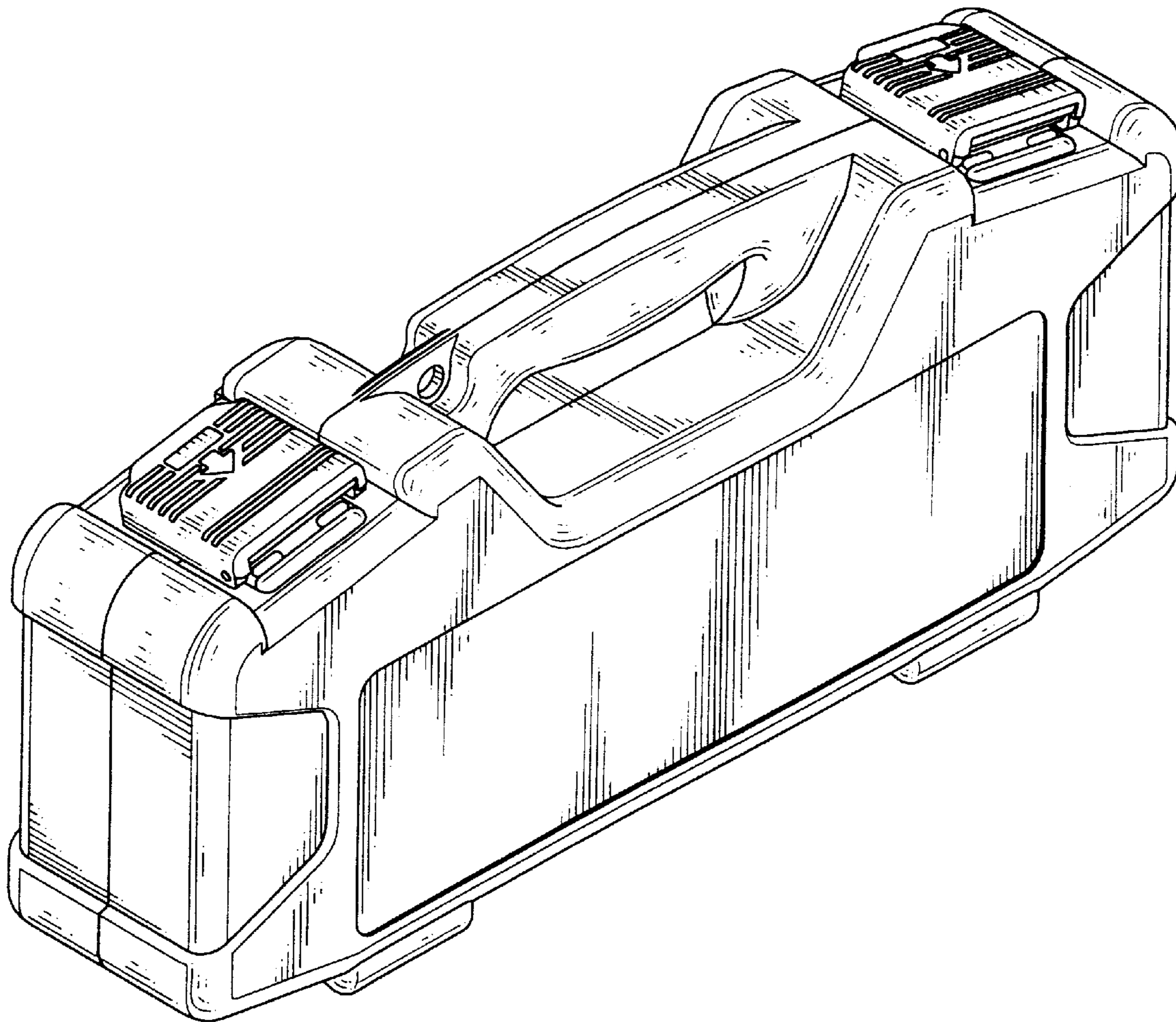
(57) **CLAIM**

The ornamental design for a tool case, as shown.

**DESCRIPTION**

FIG. 1 is a front-left-top perspective view of a tool case,  
showing my new design;  
FIG. 2 is a front elevational view thereof;  
FIG. 3 is a rear elevational view thereof;  
FIG. 4 is a left side elevational view thereof;  
FIG. 5 is a right side elevational view thereof;  
FIG. 6 is a top plan view thereof; and,  
FIG. 7 is a bottom plan view thereof.

**1 Claim, 5 Drawing Sheets**



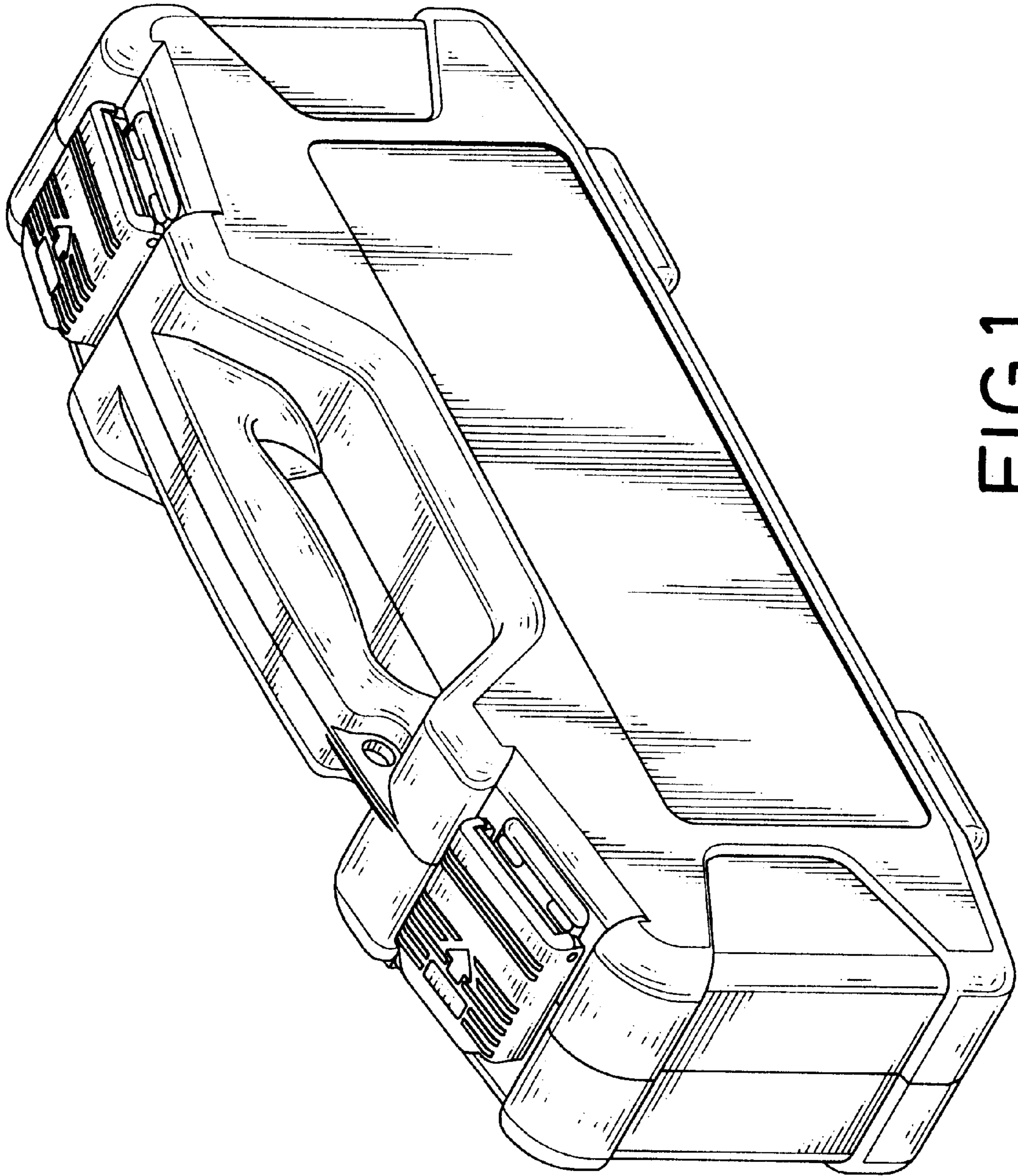


FIG.1

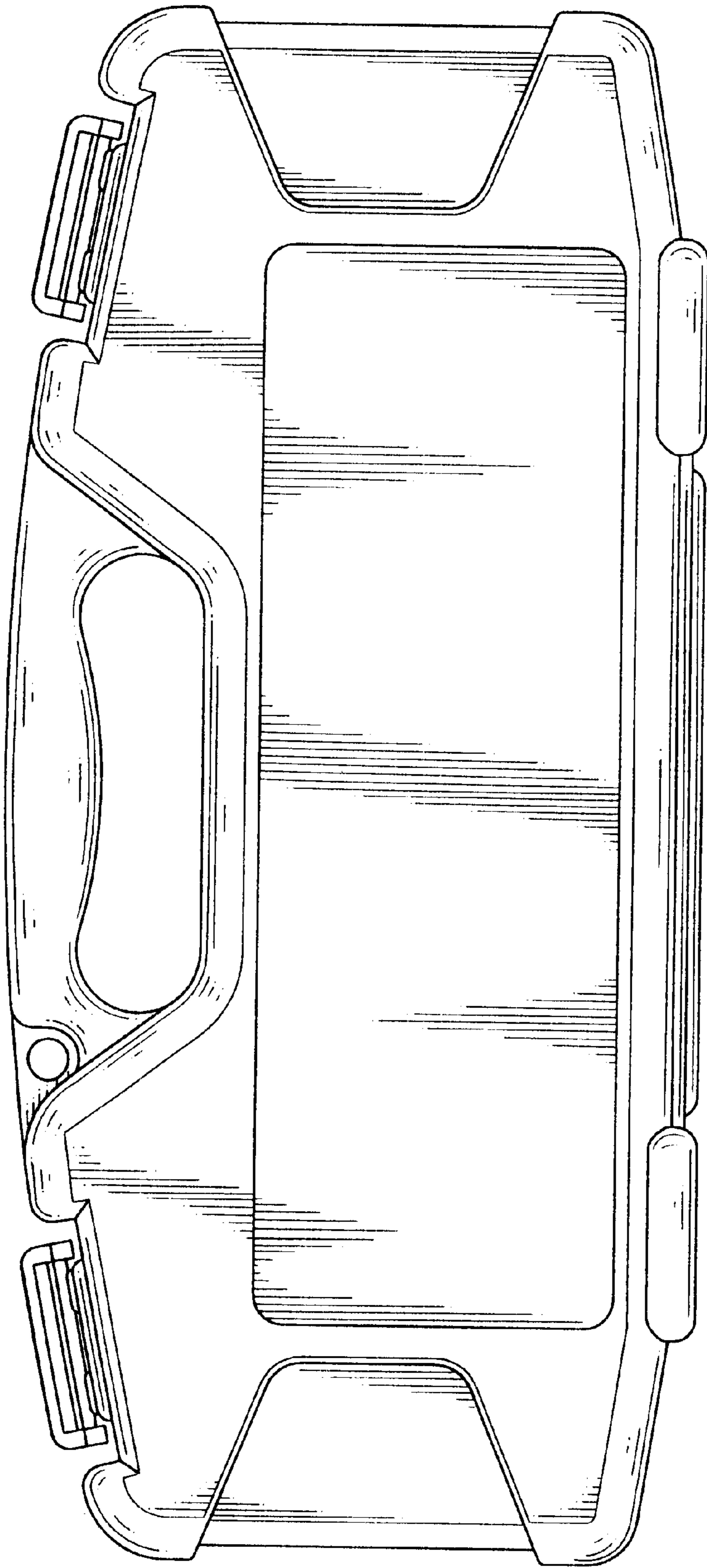


FIG. 2

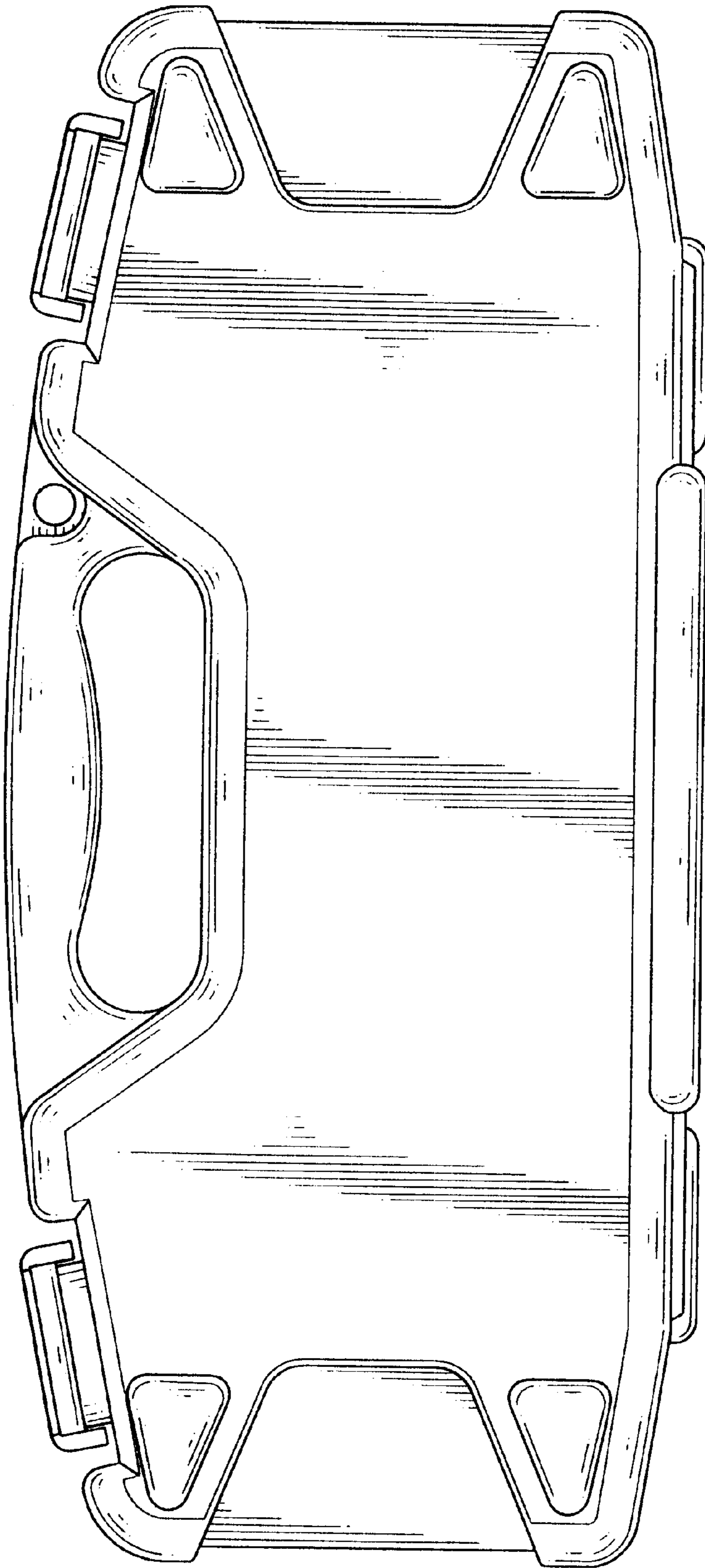


FIG. 3

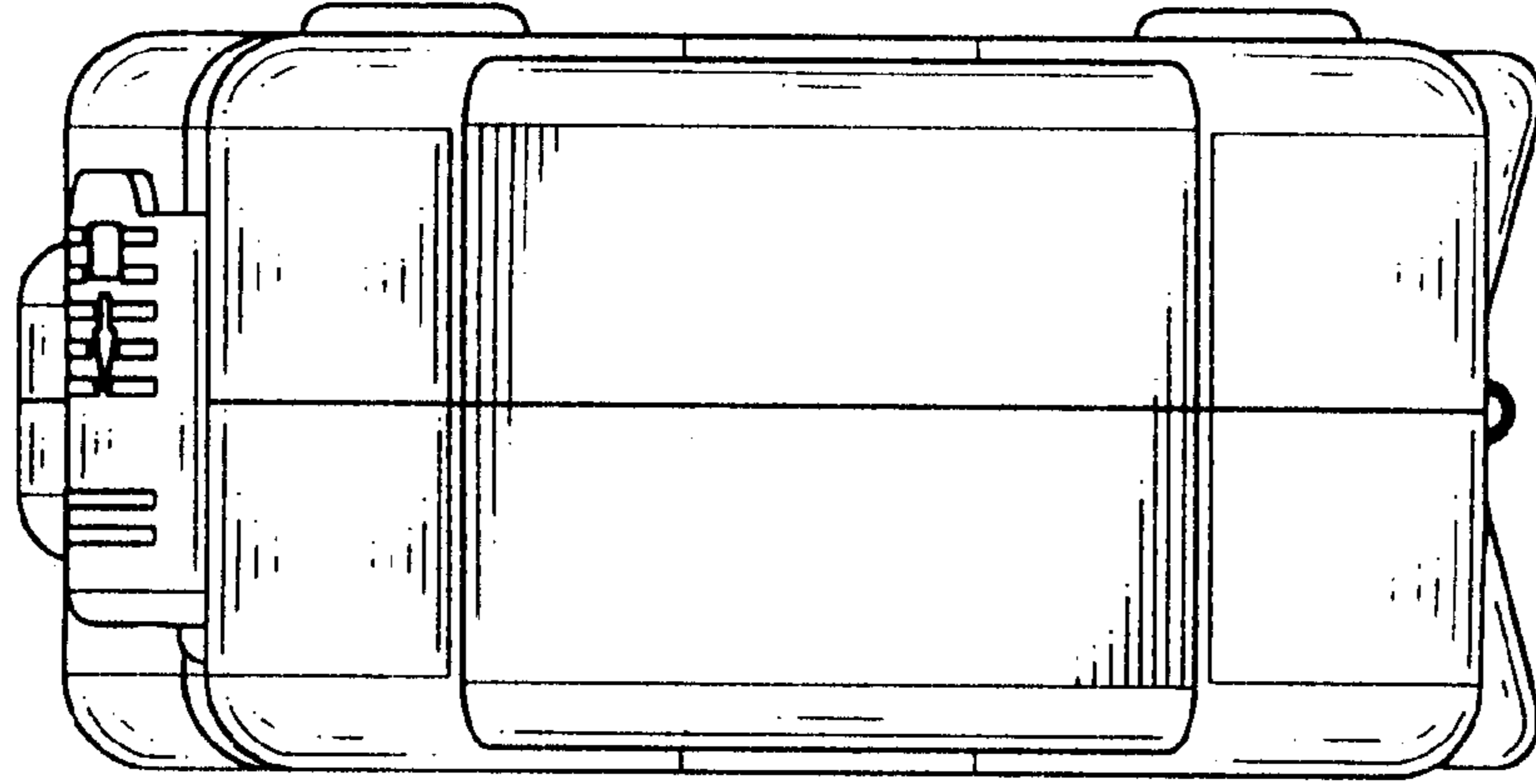


FIG. 4

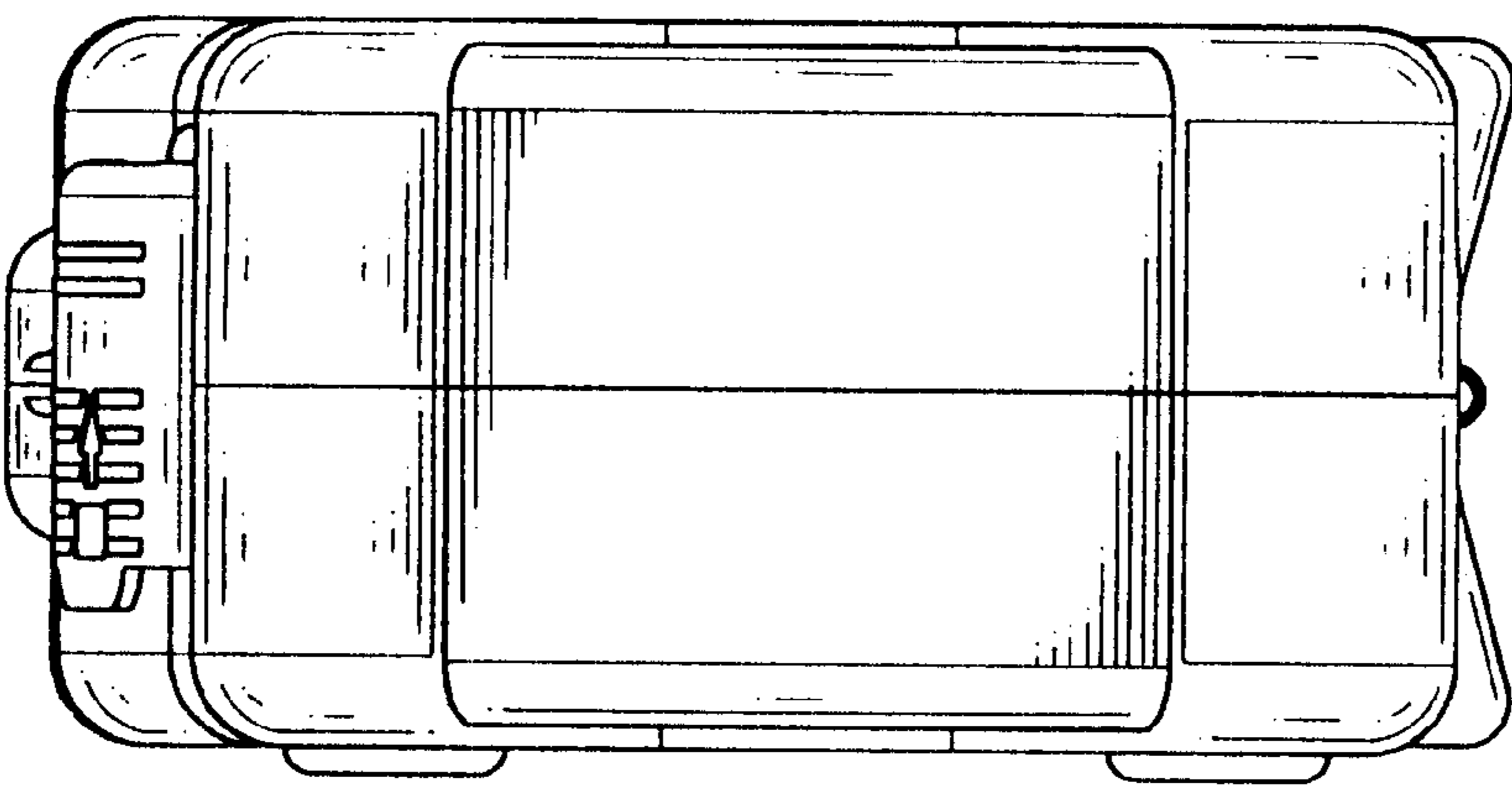


FIG. 5

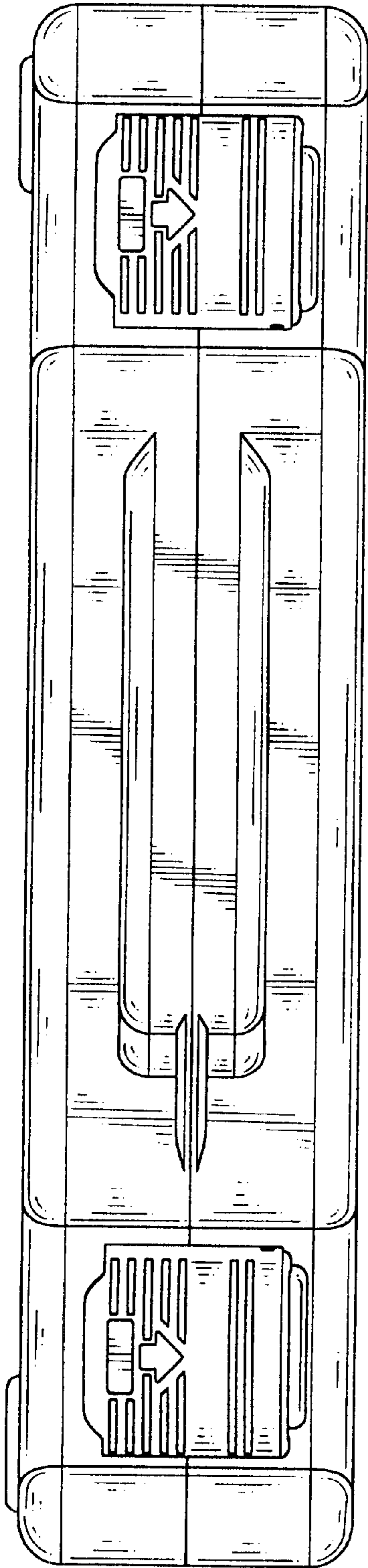


FIG. 6

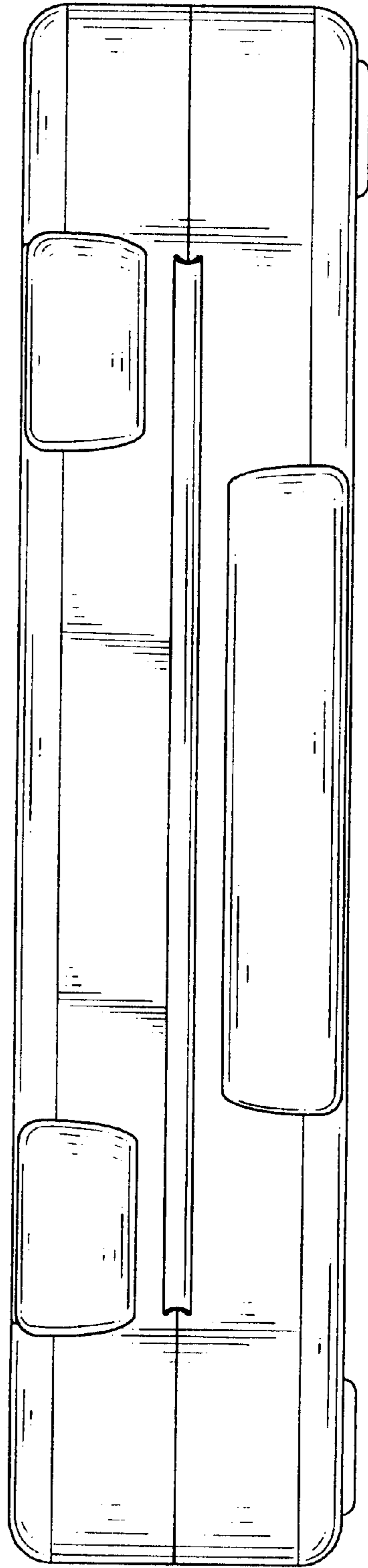


FIG. 7