



US00D482868S

(12) **United States Design Patent**
Tagliati et al.

(10) **Patent No.:** **US D482,868 S**

(45) **Date of Patent:** **** Dec. 2, 2003**

(54) **PICNIC BASKET**

6,247,328 B1 * 6/2001 Mogil 62/457.2

(76) Inventors: **Mario Tagliati**, 772 Country Valley Rd., Thousand Oaks, CA (US) 91362;
Kevin Guy, 493 Scatterwood La., Simi Valley, CA (US) 93065

(**) Term: **14 Years**

(21) Appl. No.: **29/175,075**

(22) Filed: **Jan. 28, 2003**

(51) **LOC (7) Cl.** **03-01**

(52) **U.S. Cl.** **D3/277; D3/284**

(58) **Field of Search** **D3/273, 274, 276, D3/283, 284, 295, 296, 277; 217/122, 128; 206/541, 546, 549**

(56) **References Cited**

U.S. PATENT DOCUMENTS

2,537,725	A	*	1/1951	Watson	217/122
2,808,171	A	*	10/1957	Wilson	217/124
4,499,999	A	*	2/1985	Behar	206/546
D289,127	S	*	4/1987	Blumenthal	D7/709
D320,142	S	*	9/1991	Kin	D7/709
D333,386	S	*	2/1993	Kahl	D3/288
D335,960	S	*	6/1993	Kahl et al.	D7/709
D365,207	S	*	12/1995	Lacy	D3/273
D396,748	S	*	8/1998	Dodds	D3/277

OTHER PUBLICATIONS

Cook's Market Catalog, 2002, found on Google Catalogs, p. 2, The Perfect Picnic Basket.*

* cited by examiner

Primary Examiner—Philip S. Hyder

(74) *Attorney, Agent, or Firm*—David O'Reilly

(57) **CLAIM**

The ornamental design for a picnic basket, substantially as shown and described.

DESCRIPTION

FIG. 1 is a perspective view of a picnic basket according to the invention;

FIG. 2 is a front elevational view;

FIG. 3 is a left side elevational view;

FIG. 4 is a rear elevational view;

FIG. 5 is a top plan view;

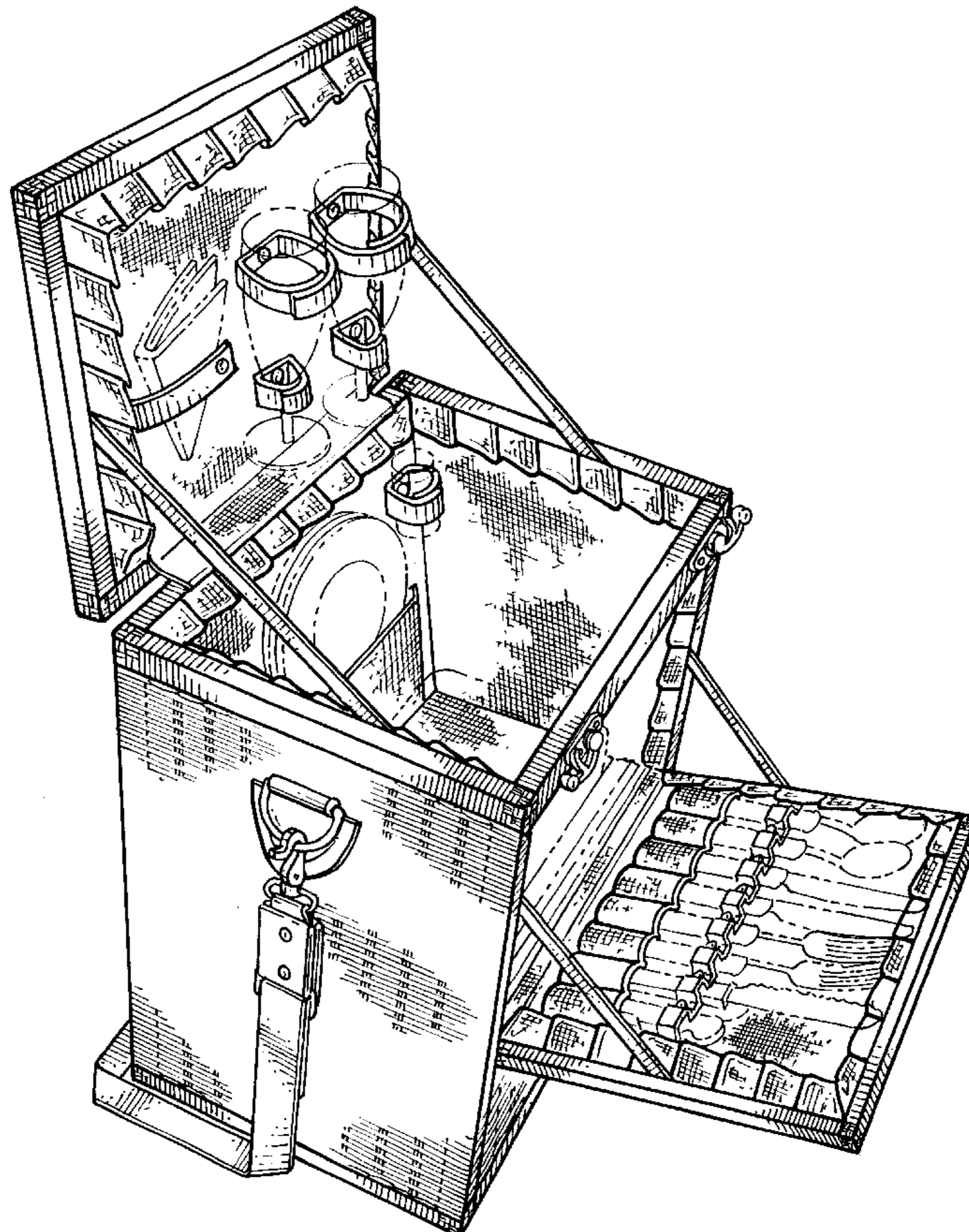
FIG. 6 is a bottom plan view;

FIG. 7 is a right side elevational view thereof; and,

FIG. 8 is a perspective view of the picnic basket in the closed position.

The broken line structure in FIG. 1 is for illustrative purposes only and forms no part of the claimed design.

1 Claim, 8 Drawing Sheets



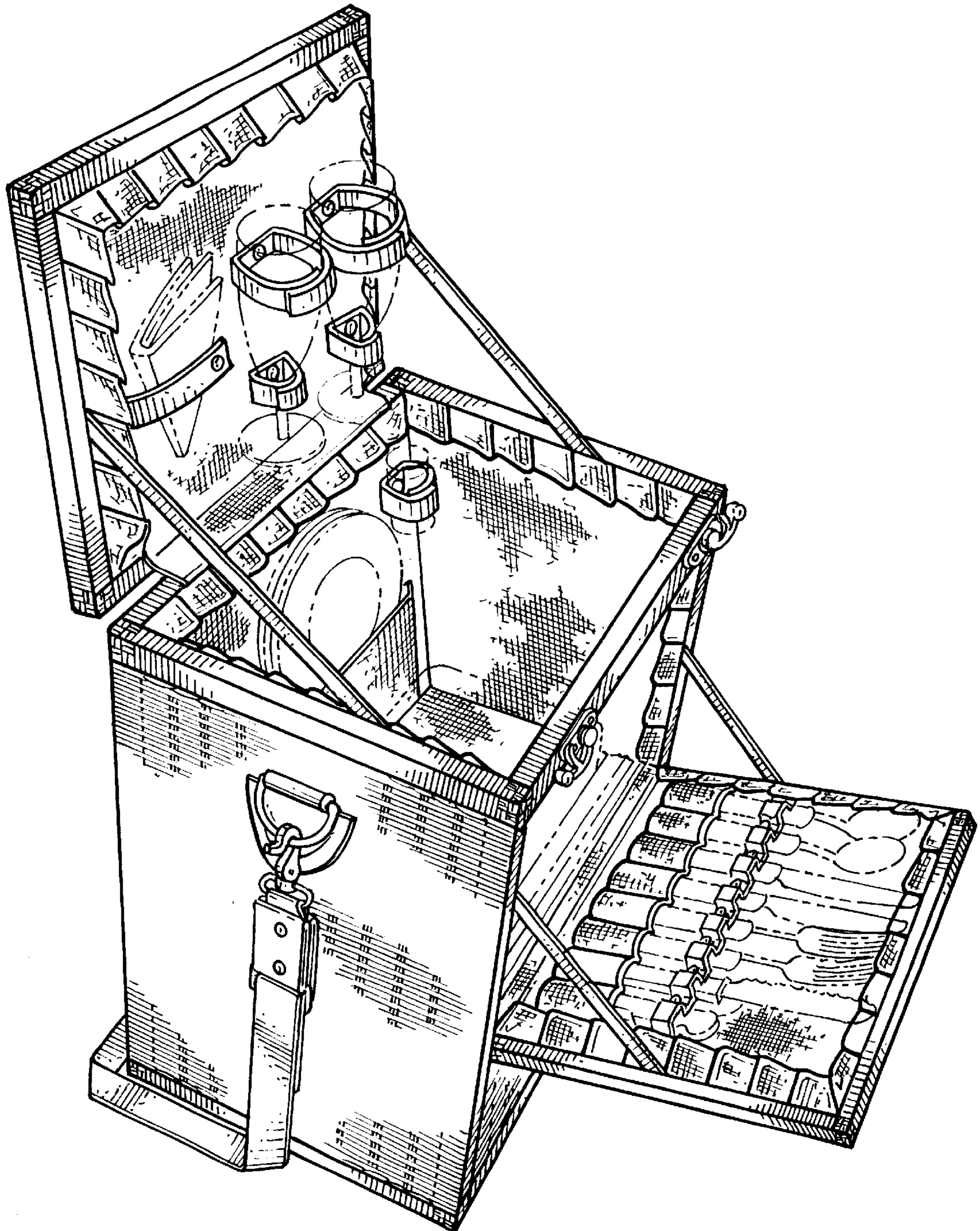


Fig. 1.

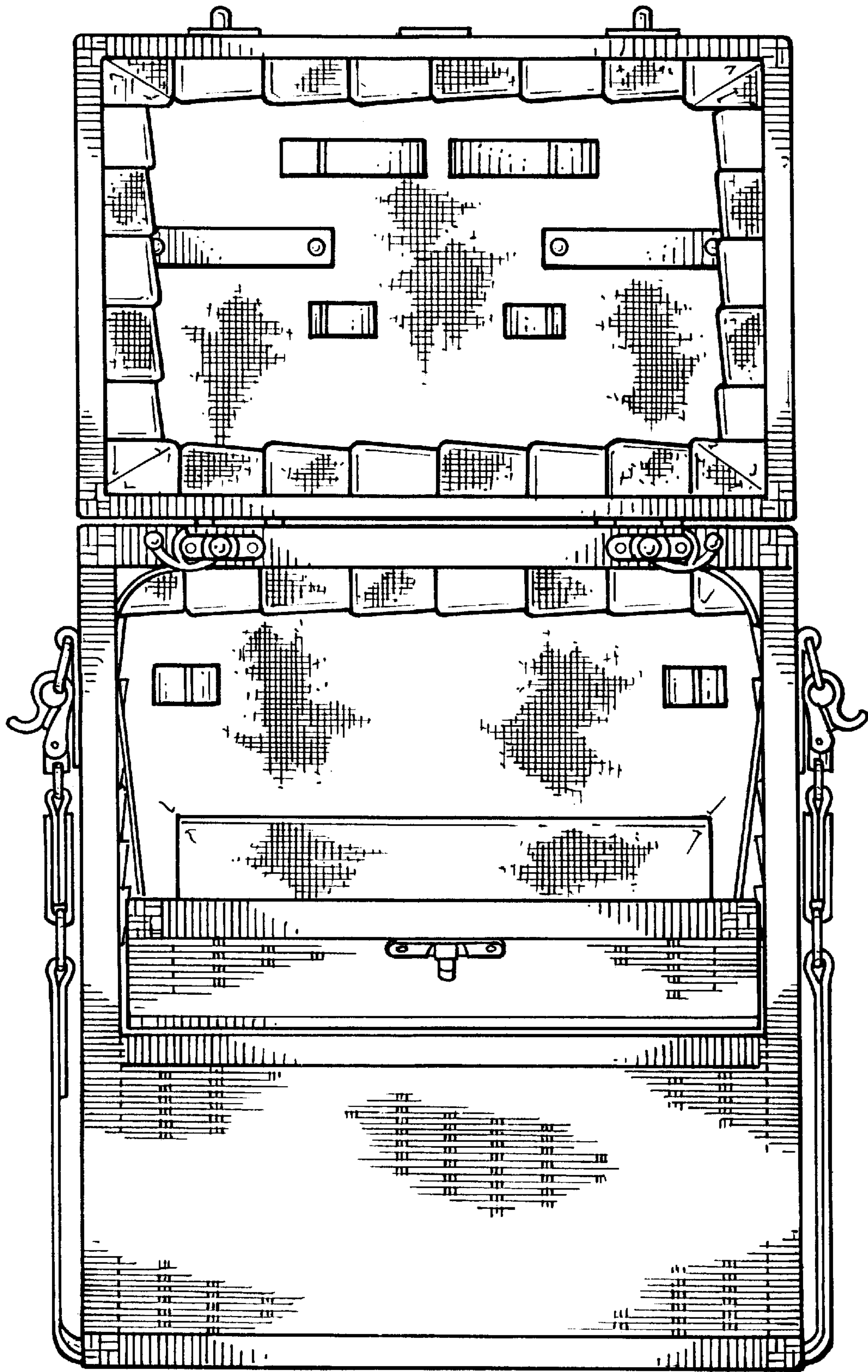


Fig. 2.

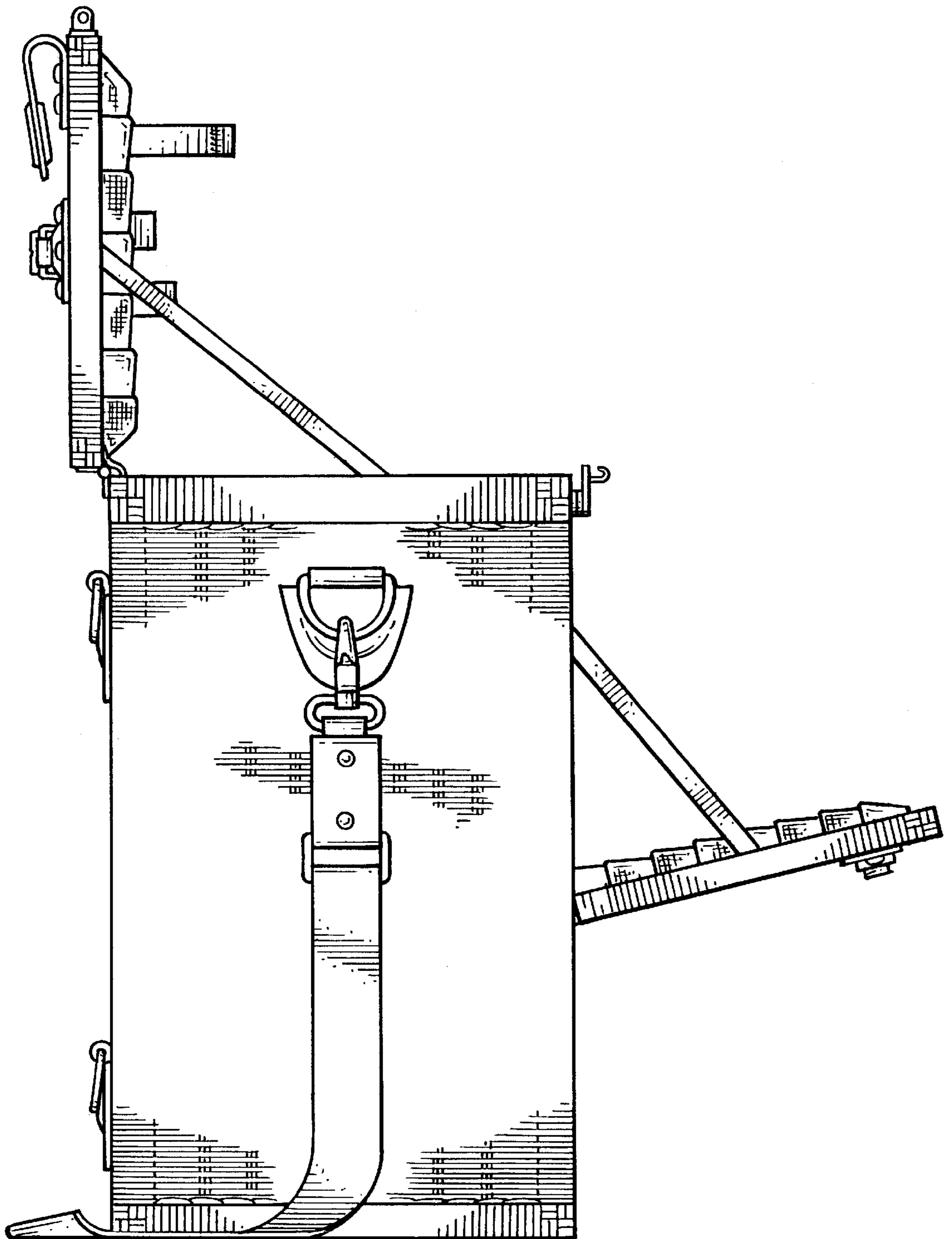


Fig. 3.

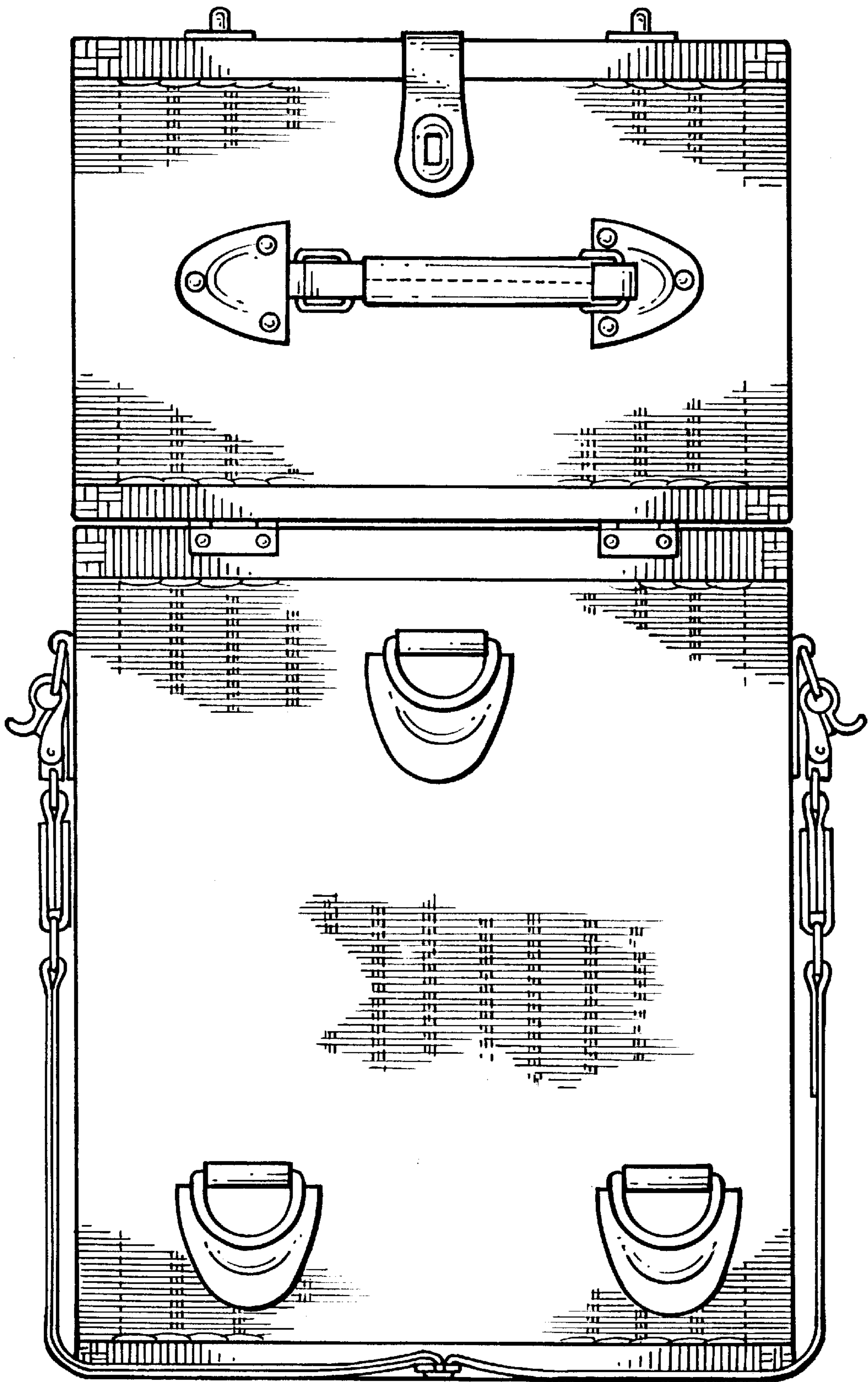


Fig. 4.

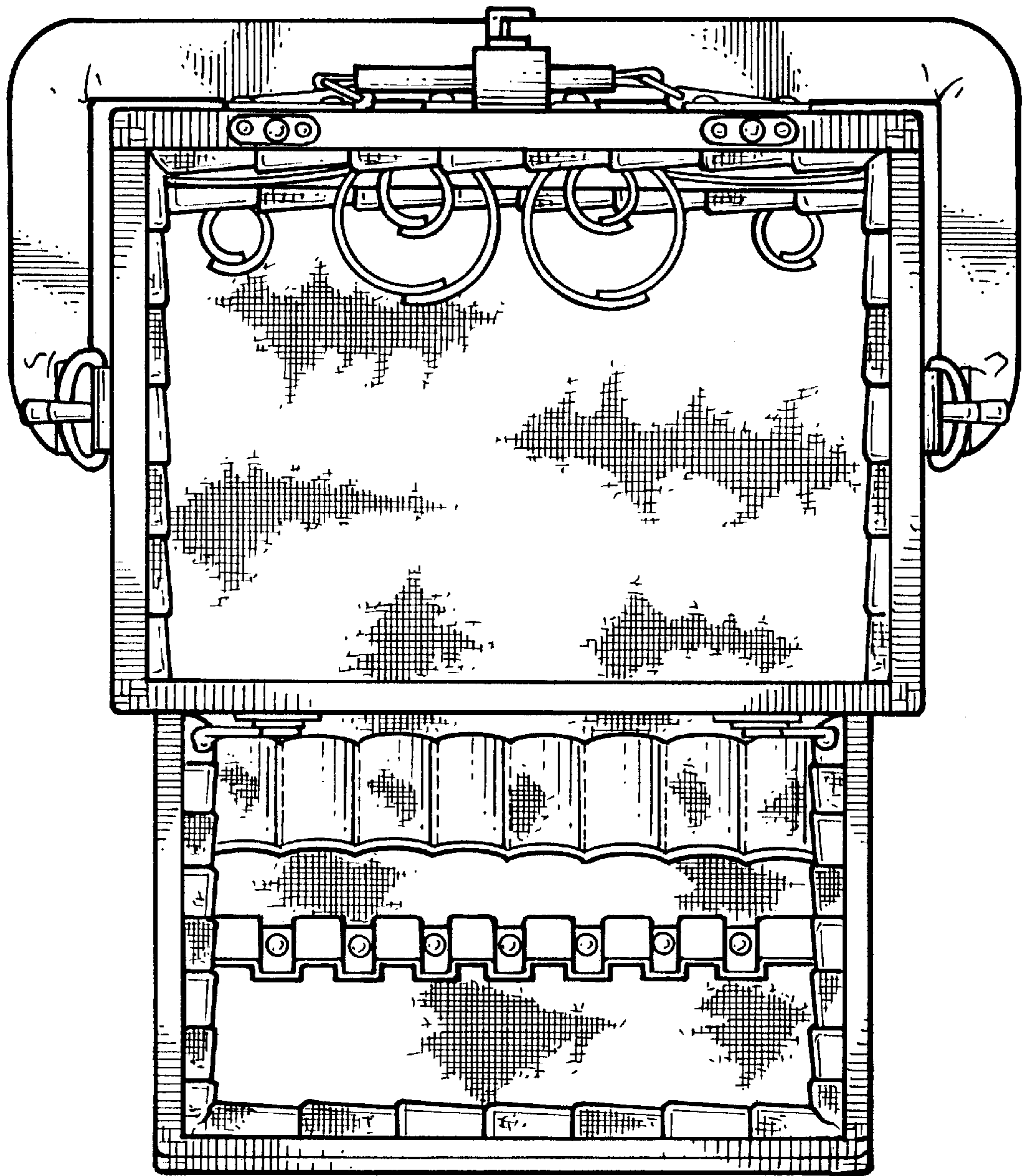


Fig. 5.

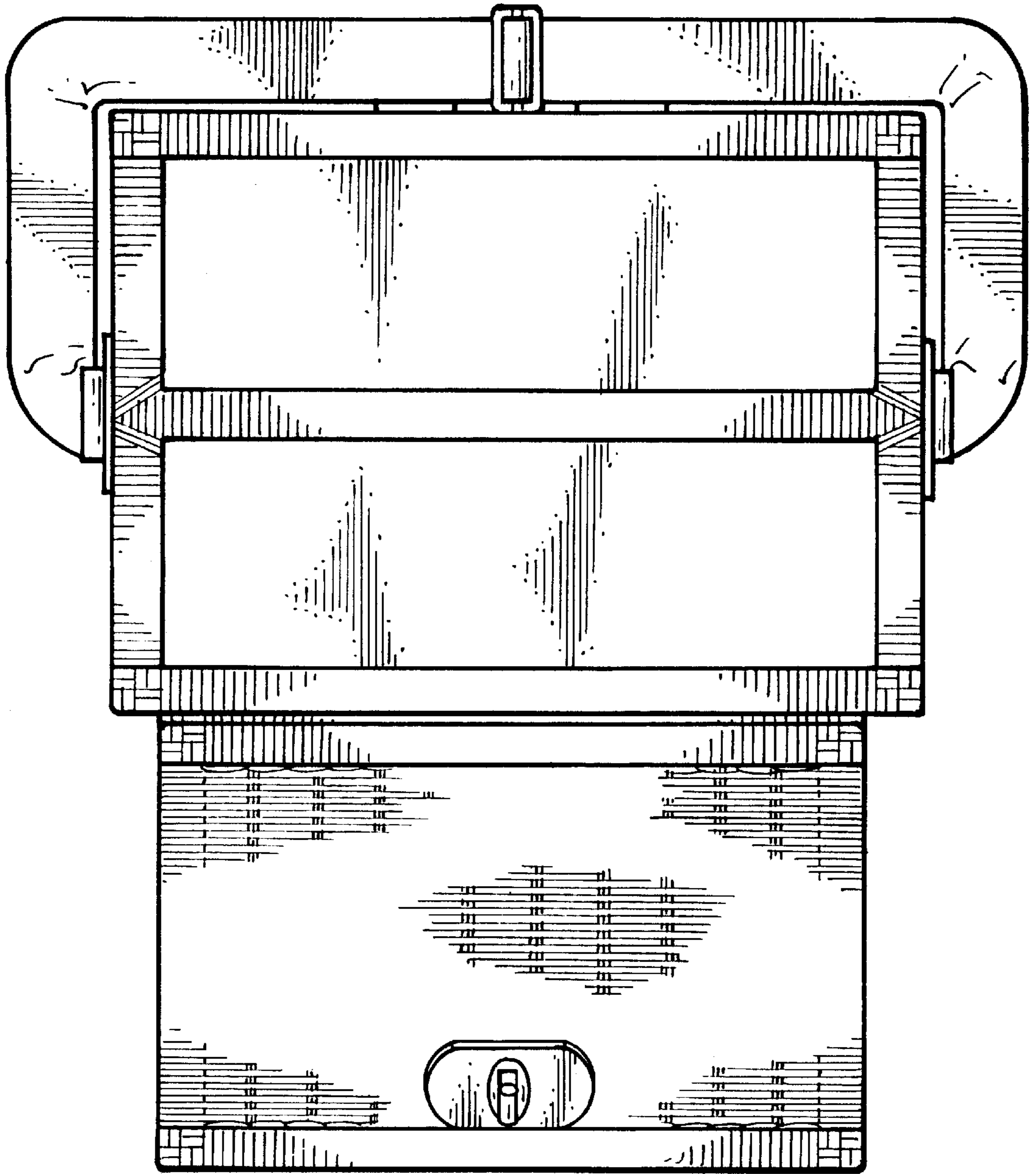


Fig. 6.

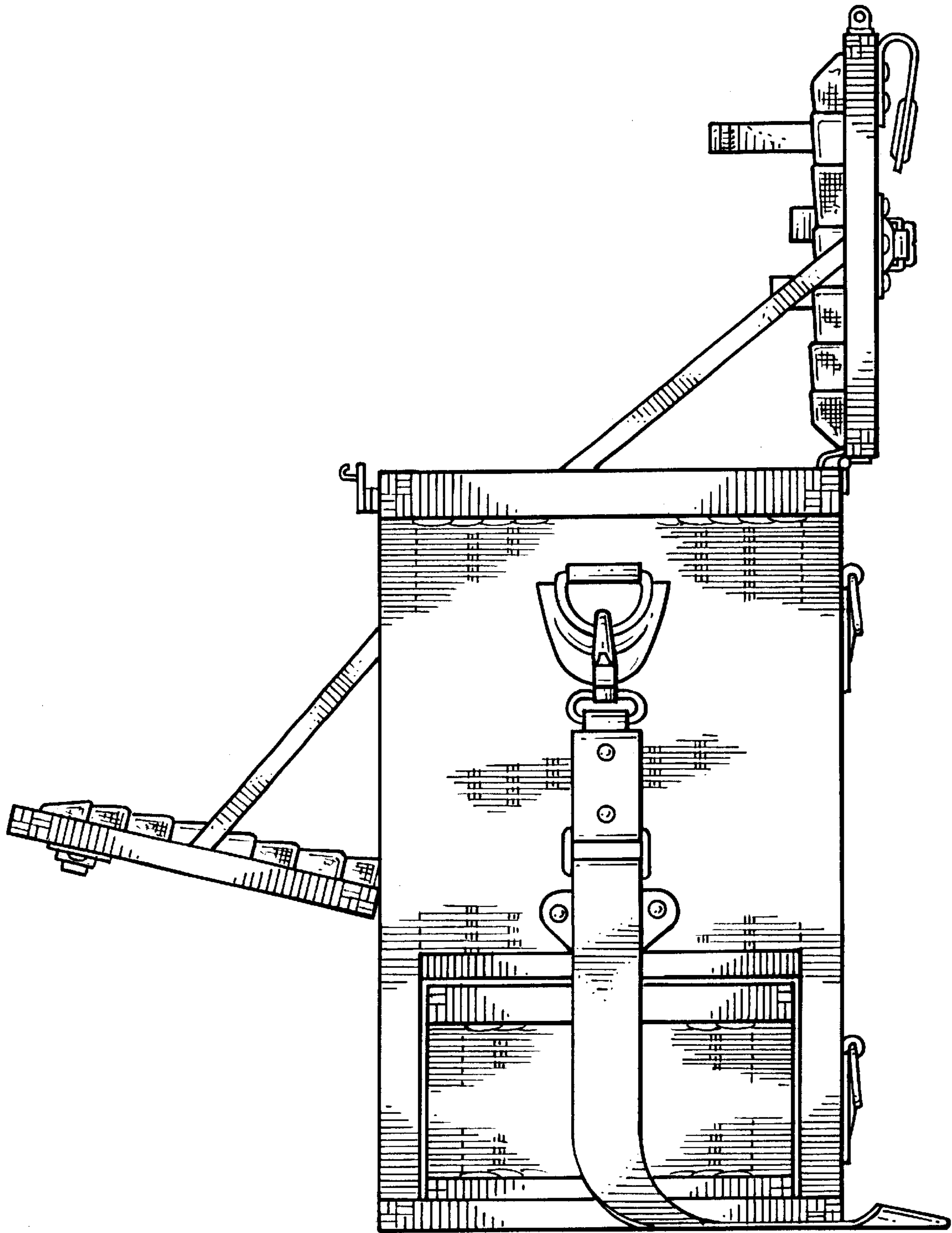


Fig. 7.

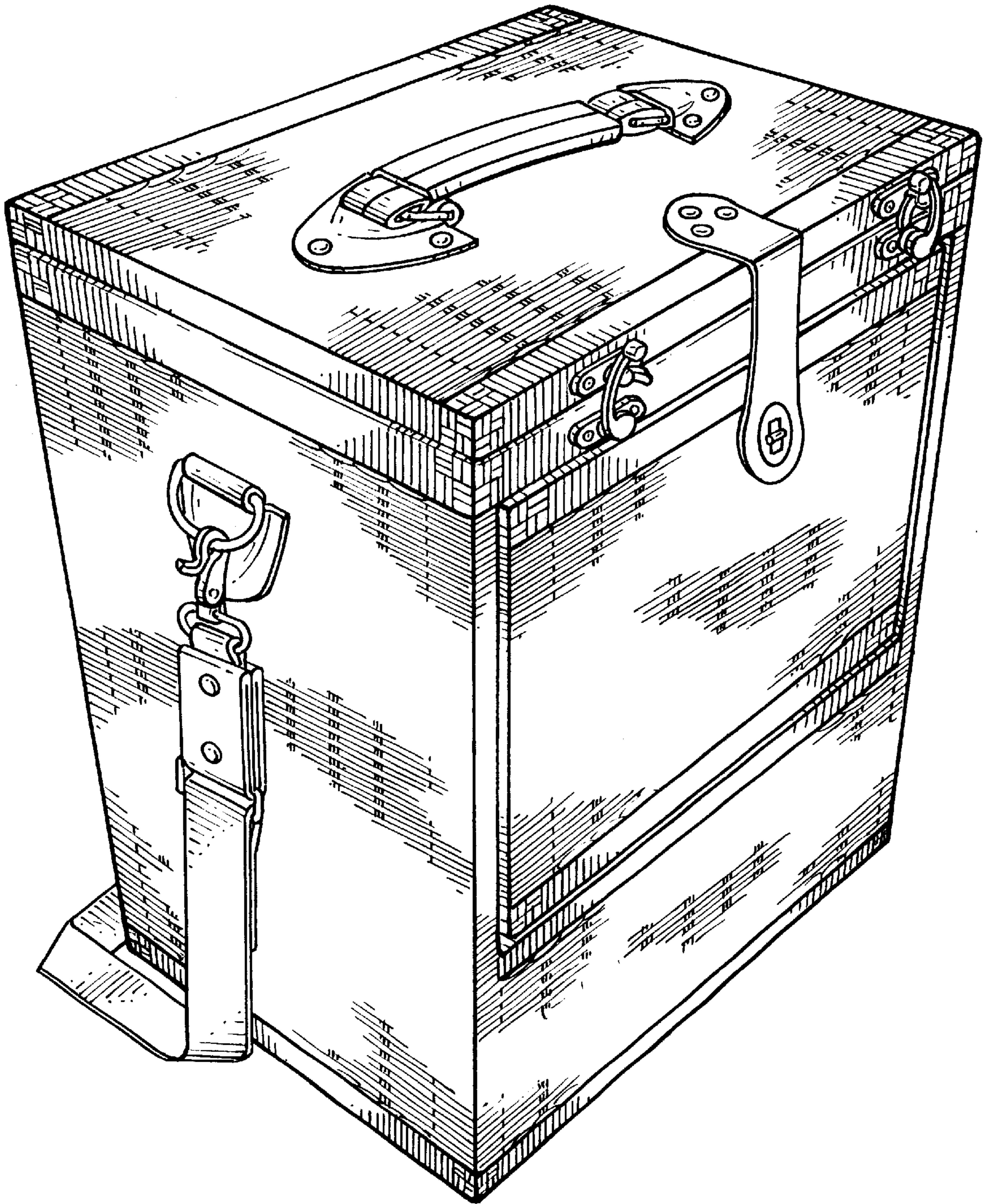


Fig. 8.