



US00D482865S

(12) **United States Design Patent**  
**Fair**

(10) **Patent No.:** **US D482,865 S**

(45) **Date of Patent:** **\*\* Dec. 2, 2003**

(54) **CAMCORDER CASE WITH WAIST STRAPS**

D466,688 S \* 12/2002 Hassett ..... D3/218  
D472,702 S \* 4/2003 Hassett ..... D3/218

(75) Inventor: **Paul Fair**, Denver, CO (US)

**OTHER PUBLICATIONS**

(73) Assignee: **Case Logic, Inc.**, Longmont, CO (US)

Case Logic What's Inside Survives 2002 Catalog, p. 30.

(\*\*) Term: **14 Years**

Case Logic Spring 2000 Catalog, p. 25.

(21) Appl. No.: **29/168,946**

Case Logic 1999 Catalog, p. 22.

(22) Filed: **Oct. 11, 2002**

Case Logic 2000 Catalog, p. 33.

(51) **LOC (7) Cl.** ..... **03-01**

Case Logic 2001 Catalog, p. 35.

(52) **U.S. Cl.** ..... **D3/267; D3/215; D3/219;**  
**D3/263**

LowePro 2000 Catalog, p. 15.

(58) **Field of Search** ..... D3/208, 215, 219,  
D3/225, 226, 243, 263, 267, 268, 270,  
273, 276, 283, 285, 287, 289, 290, 301;  
D6/632; D21/618, 654; 206/316.1, 316.2;  
224/583, 612, 908

\* cited by examiner

*Primary Examiner*—Celia Murphy

(74) *Attorney, Agent, or Firm*—Sheridan Ross P.C.

(56) **References Cited**

(57) **CLAIM**

The ornamental design for a camcorder case with waist straps, as shown and described.

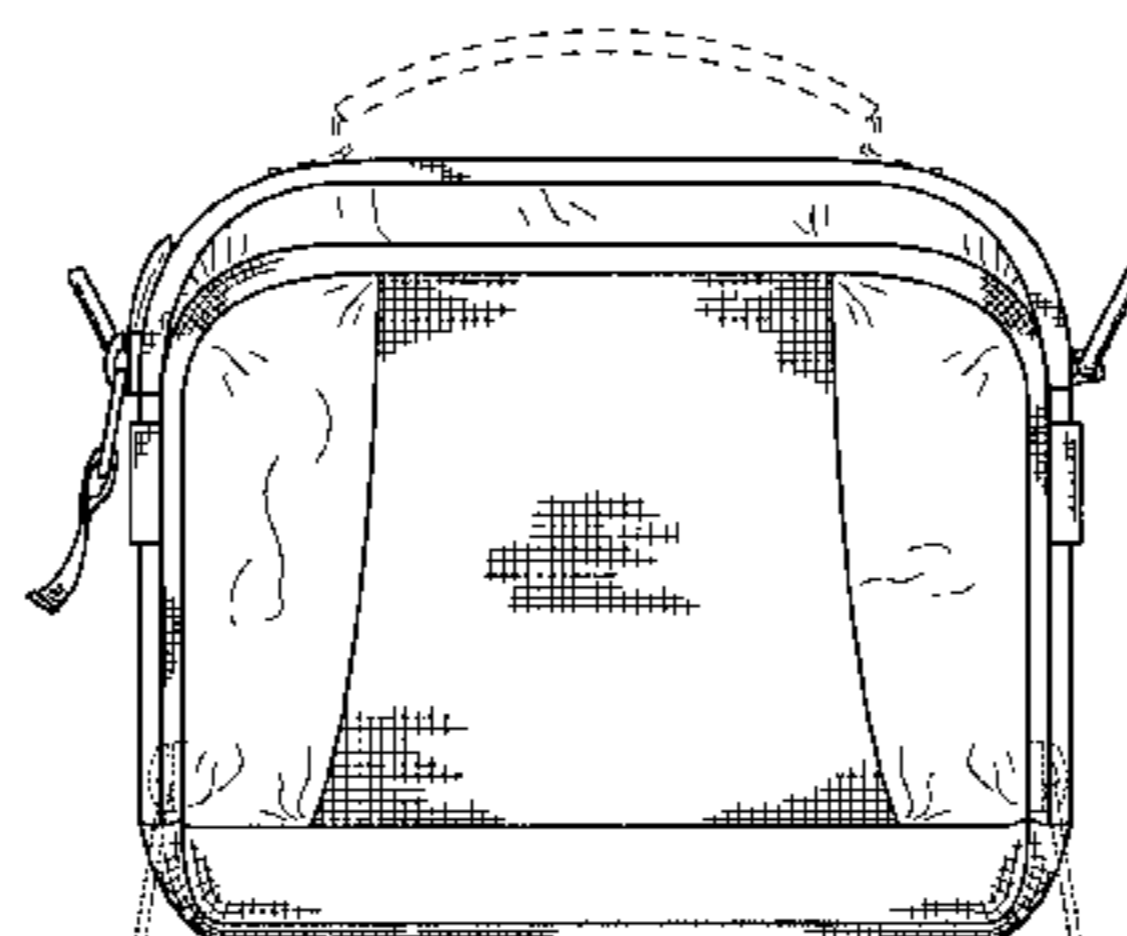
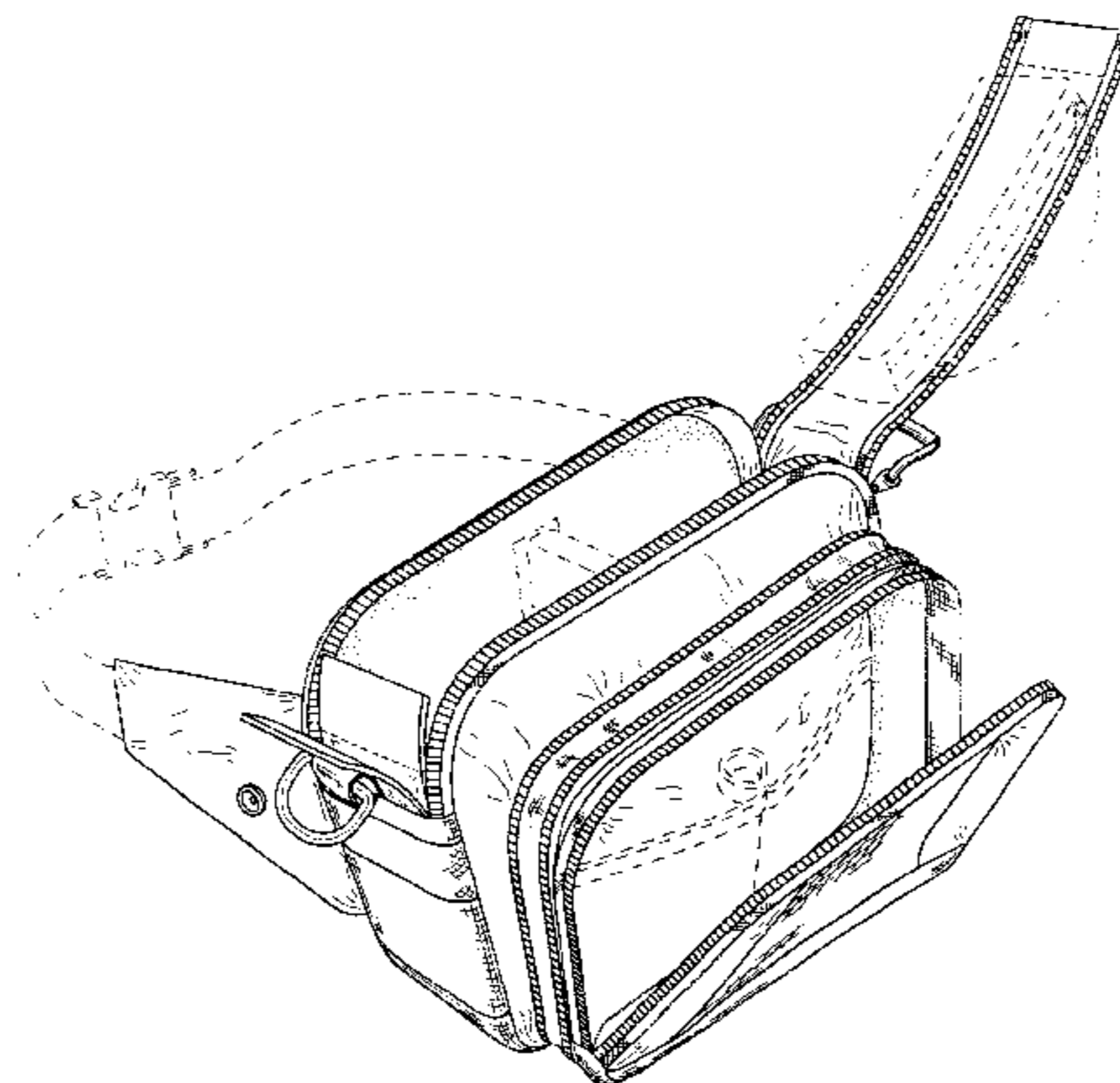
**U.S. PATENT DOCUMENTS**

**DESCRIPTION**

- 2,691,401 A \* 10/1954 Kontoff
- D182,126 S \* 2/1958 Kontoff
- D249,824 S \* 10/1978 Koszegi ..... D3/268
- 4,545,414 A \* 10/1985 Baum
- 5,205,448 A \* 4/1993 Kester et al.
- D414,603 S \* 10/1999 Burchett ..... D3/265
- D436,443 S \* 1/2001 Hillman ..... D3/283
- D442,777 S \* 5/2001 Smith ..... D3/226
- D455,256 S \* 4/2002 Tyler ..... D3/219
- D460,256 S \* 7/2002 Hillman ..... D3/219
- D465,328 S \* 11/2002 Hassett ..... D3/267
- D465,329 S \* 11/2002 Hassett ..... D3/267

FIG. 1 is a front perspective view of a camcorder case with waist straps showing my new design with the top flap and front pocket in an open position; the broken lines representing environment and forming no part of the claimed design; FIG. 2 is a front elevational view thereof, shown in a closed position; FIG. 3 is a rear elevational view of FIG. 2; FIG. 4 is a right side elevational view of FIG. 2; FIG. 5 is a left side elevational view of FIG. 2; FIG. 6 is a top plan view of FIG. 2; and, FIG. 7 is a bottom plan view of FIG. 2.

**1 Claim, 5 Drawing Sheets**



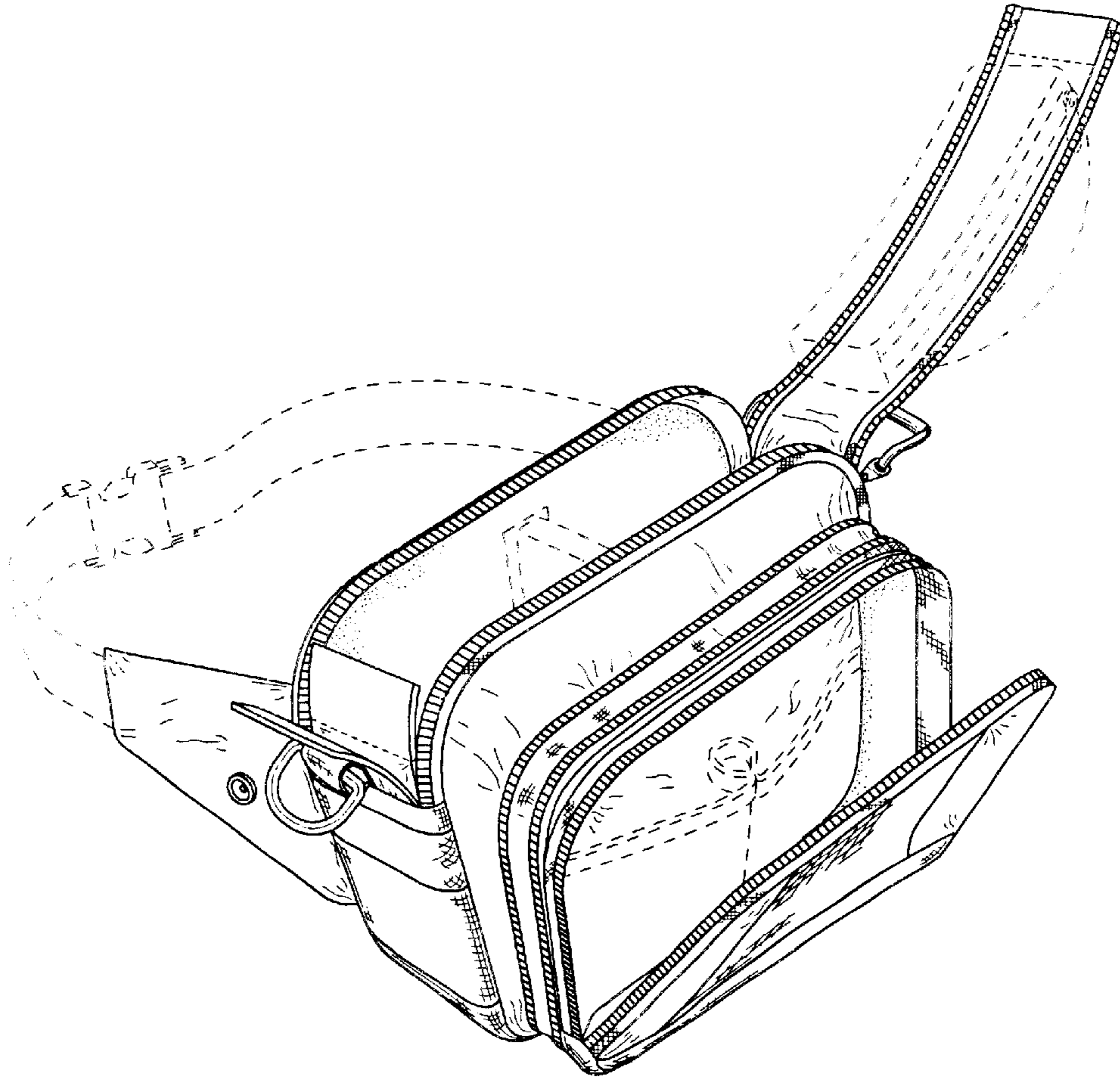


FIG. 1

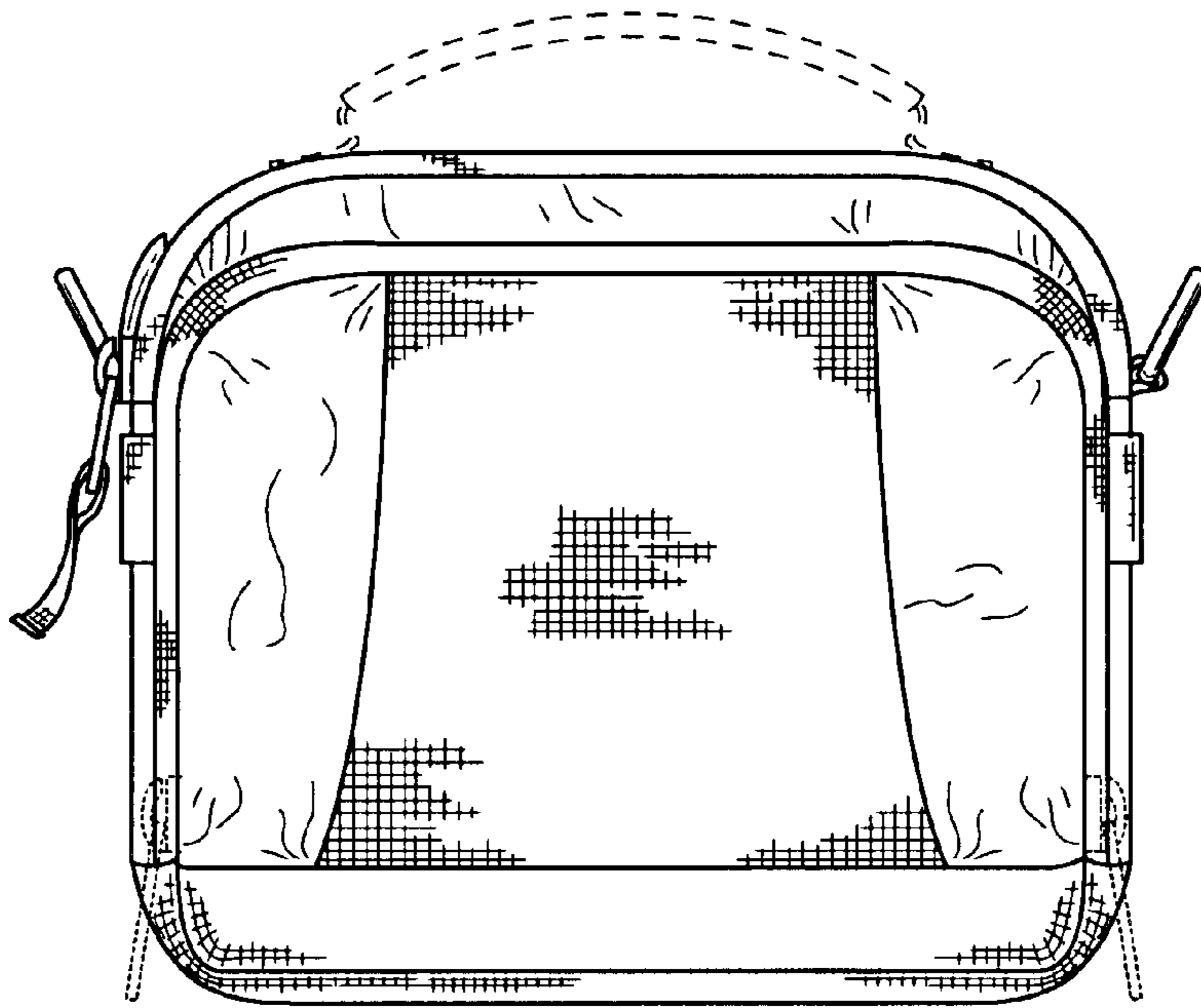


FIG. 2

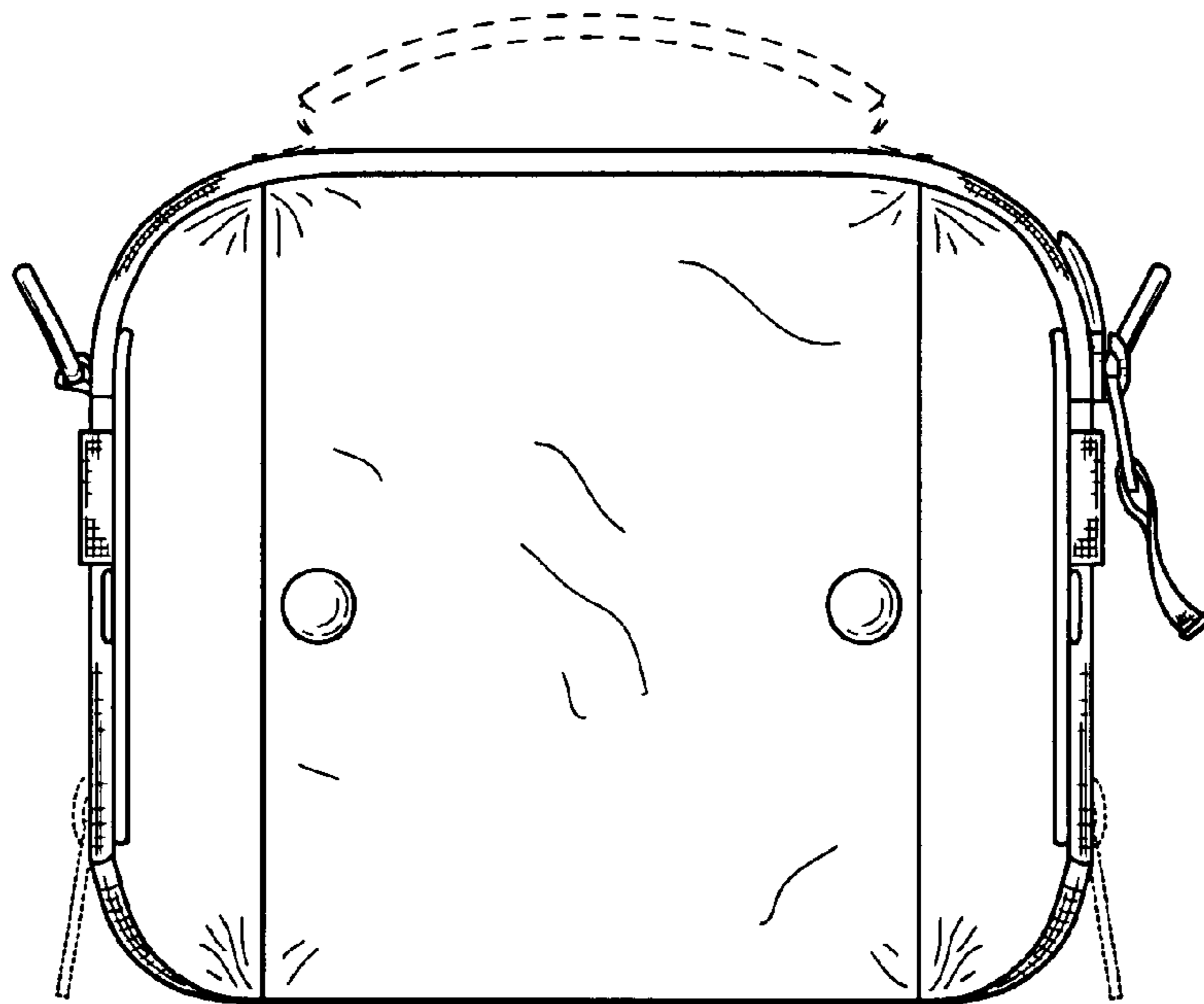


FIG. 3

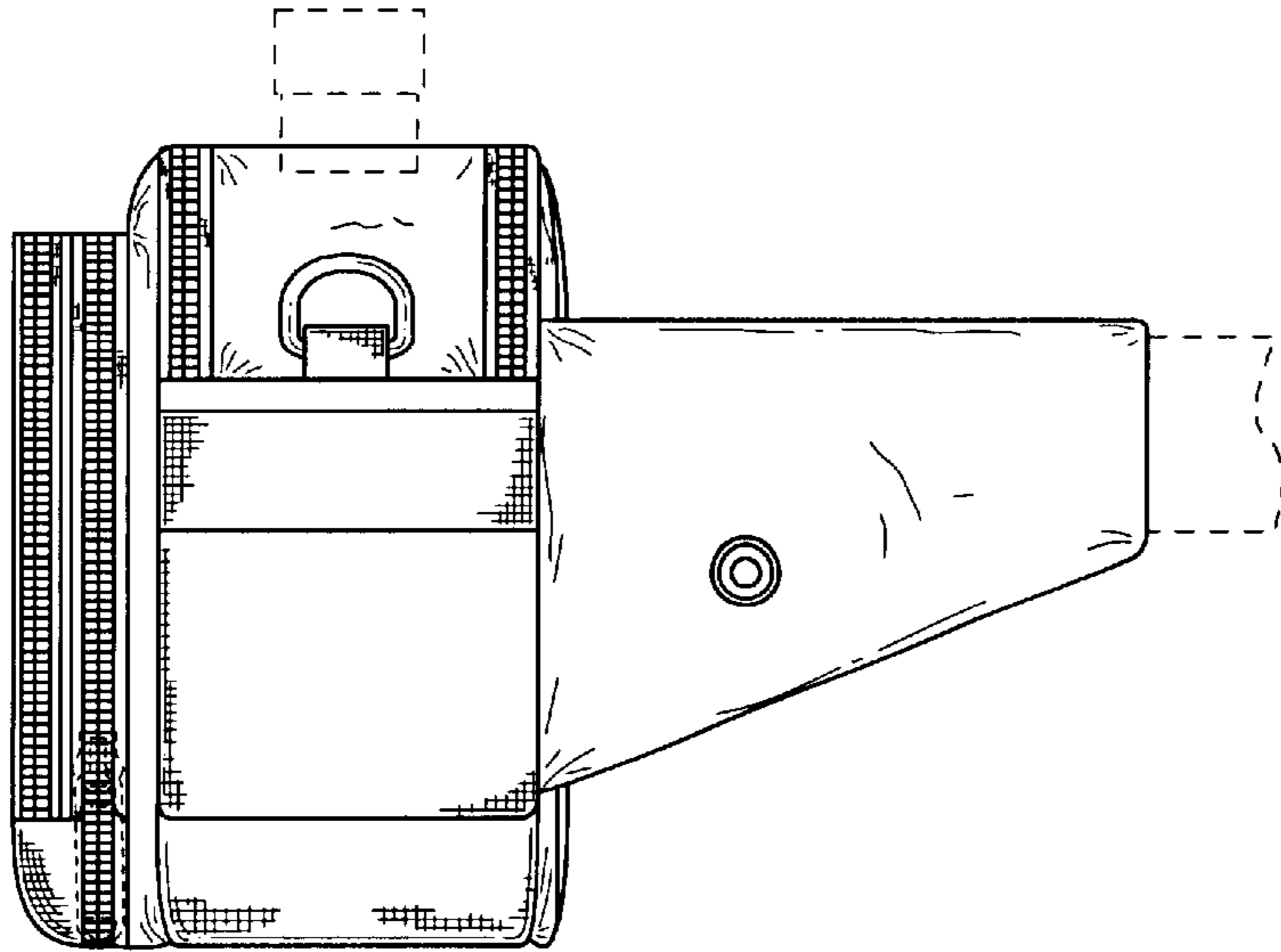


FIG. 4

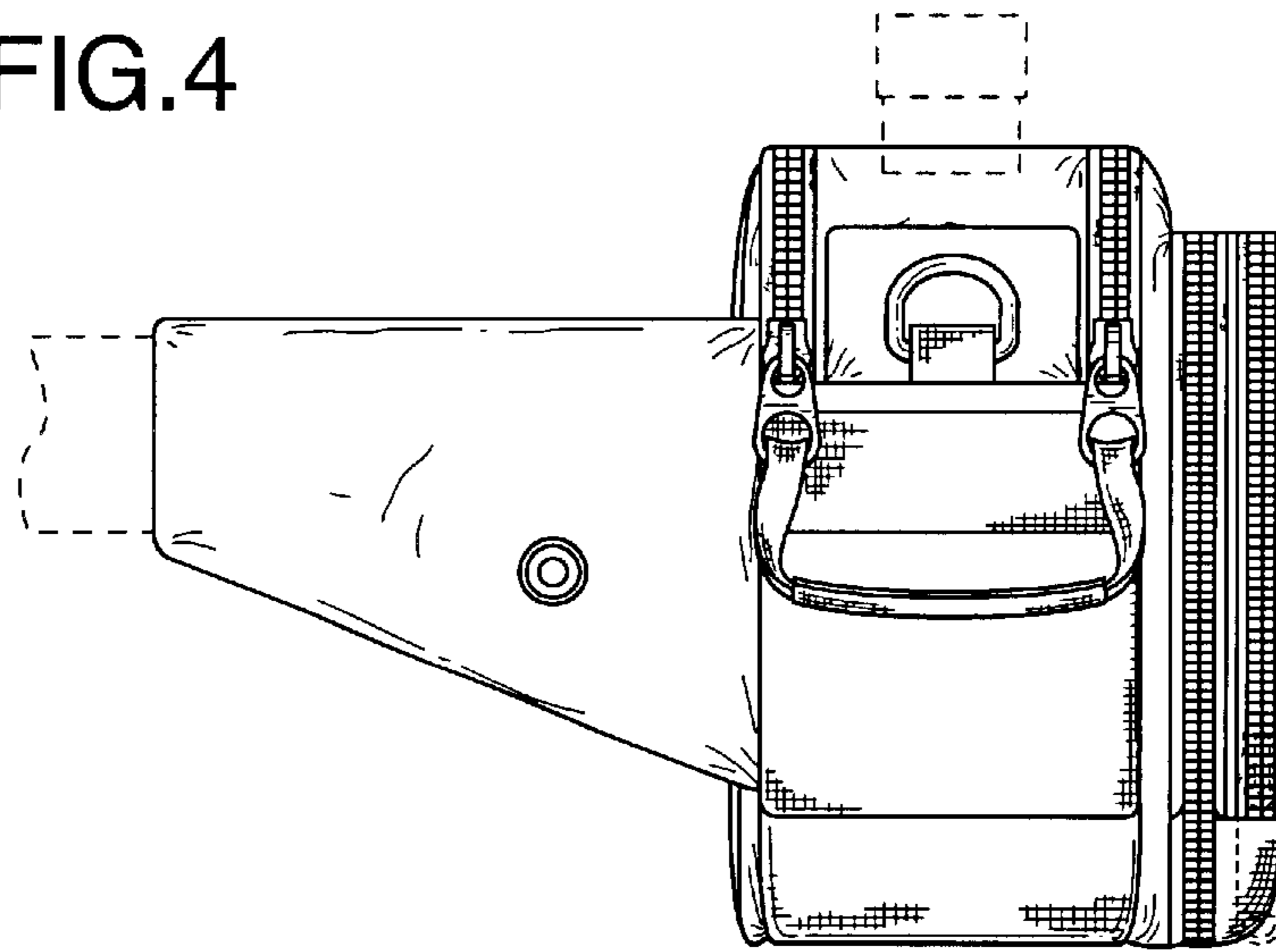


FIG. 5

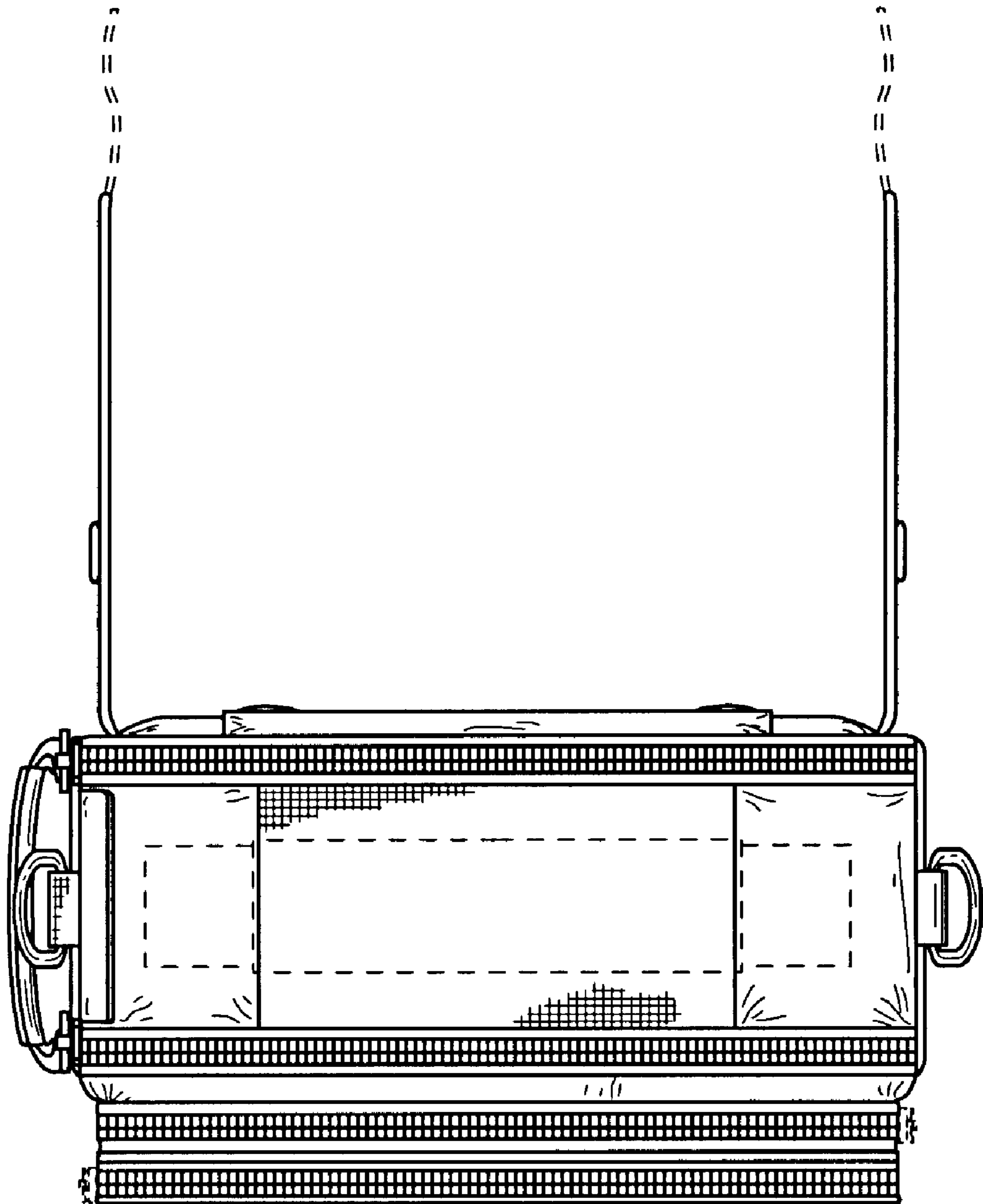


FIG.6

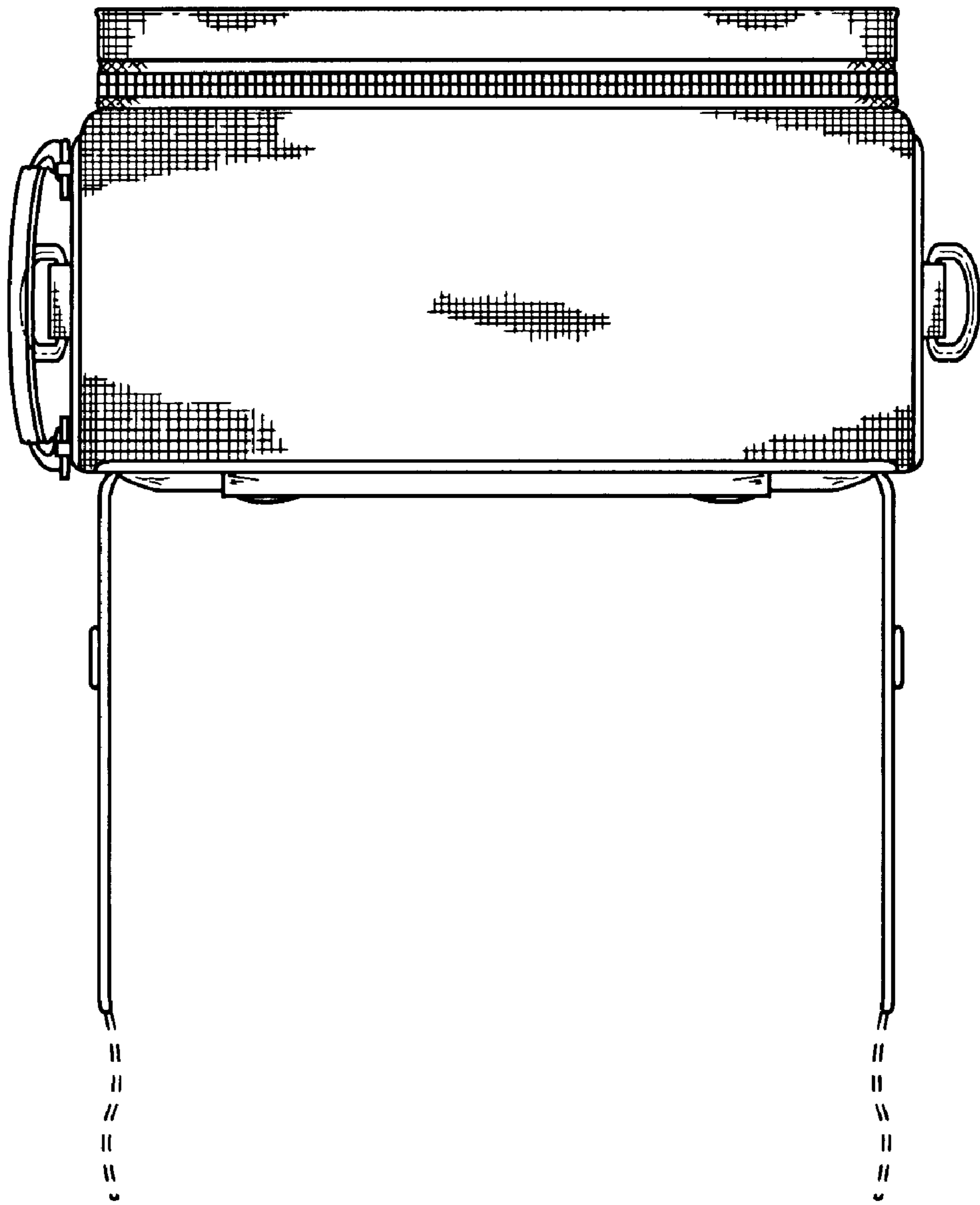


FIG.7