



US00D482863S

(12) **United States Design Patent**
Flood

(10) **Patent No.:** **US D482,863 S**

(45) **Date of Patent:** **** Dec. 2, 2003**

(54) **BELT WITH MULTIPLE, CLOSABLE INSULATING CONTAINERS FOR CARRYING CANNED/BOTTLED BEVERAGES**

D379,264 S * 5/1997 Micieli D3/226
5,680,944 A 10/1997 Rueter 215/13.1
D424,294 S * 5/2000 Lundyn D3/226
D444,295 S * 7/2001 Malik et al. D3/224

(76) **Inventor:** **Michael A. Flood**, 900 Lake Watch Dr., Stone Mountain, GA (US) 30088

* cited by examiner

Primary Examiner—Catherine R. Oliver

(**) **Term:** **14 Years**

(74) *Attorney, Agent, or Firm*—Donald R. Schoonover

(21) **Appl. No.:** **29/175,597**

(57) **CLAIM**

(22) **Filed:** **Feb. 10, 2003**

The ornamental design for a belt with multiple, closable insulating containers for carrying canned/bottled beverages, as shown and described.

(51) **LOC (7) Cl.** **03-01**

DESCRIPTION

(52) **U.S. Cl.** **D3/224**

(58) **Field of Search** D3/224, 226, 215, D3/229, 221, 228, 202; 224/223, 224, 148.1–148.7, 253, 919; D9/526, 549, 443

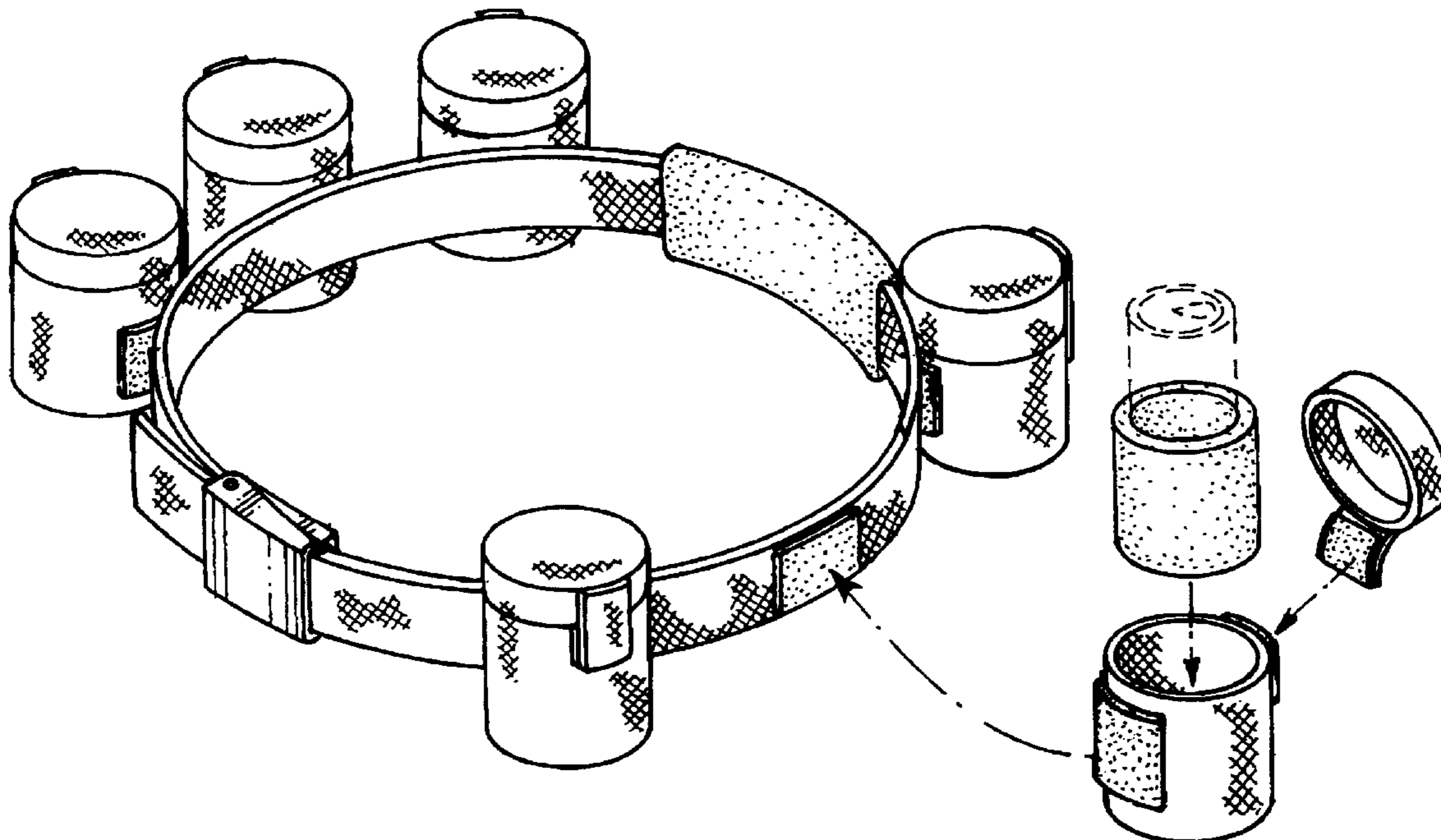
FIG. 1 is a perspective view of a belt with multiple, closable insulating containers for carrying canned/bottled beverages showing my new design in use; the broken lines show environmental structure for illustrative purposes only and form no part of the claimed design; FIG. 2 is a front elevational view thereof; FIG. 3 is a rear elevational view thereof; FIG. 4 is a left side elevational view thereof; FIG. 5 is a right side elevational view thereof; and, FIG. 6 is a top plan view thereof, the bottom plan view being a mirror image thereof.

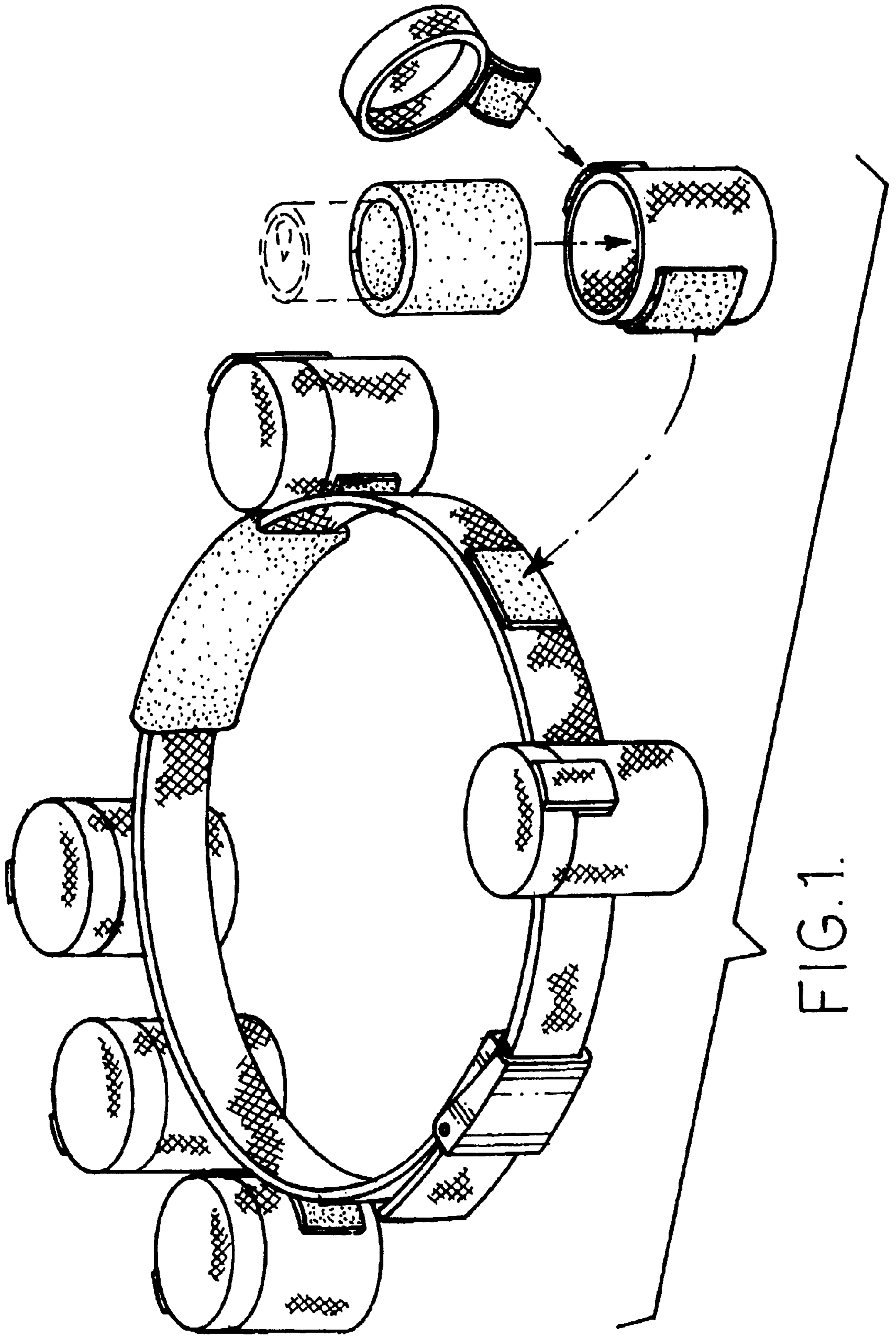
(56) **References Cited**

U.S. PATENT DOCUMENTS

3,905,511 A	9/1975	Groendal	220/739
4,265,381 A	5/1981	Muscatell	224/148.5
4,819,846 A	4/1989	Hannemann	224/240
4,871,597 A	10/1989	Hobson	428/36.1
5,060,835 A	10/1991	Payne	224/148.2
D351,279 S	10/1994	Montgomery	D3/215
5,410,762 A	5/1995	Maskovich	2/338

1 Claim, 3 Drawing Sheets





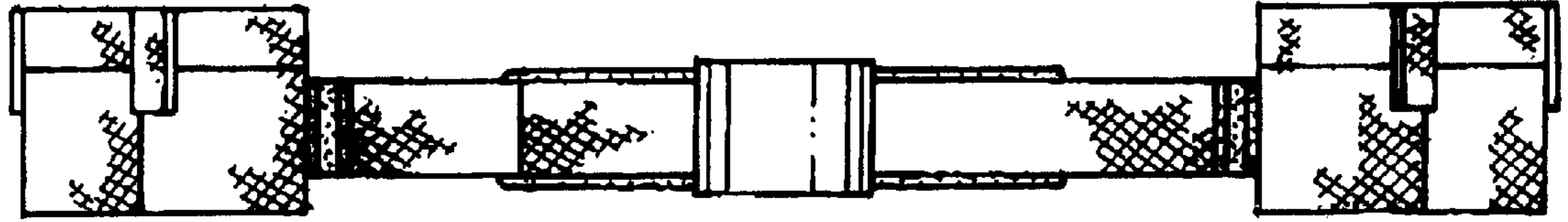
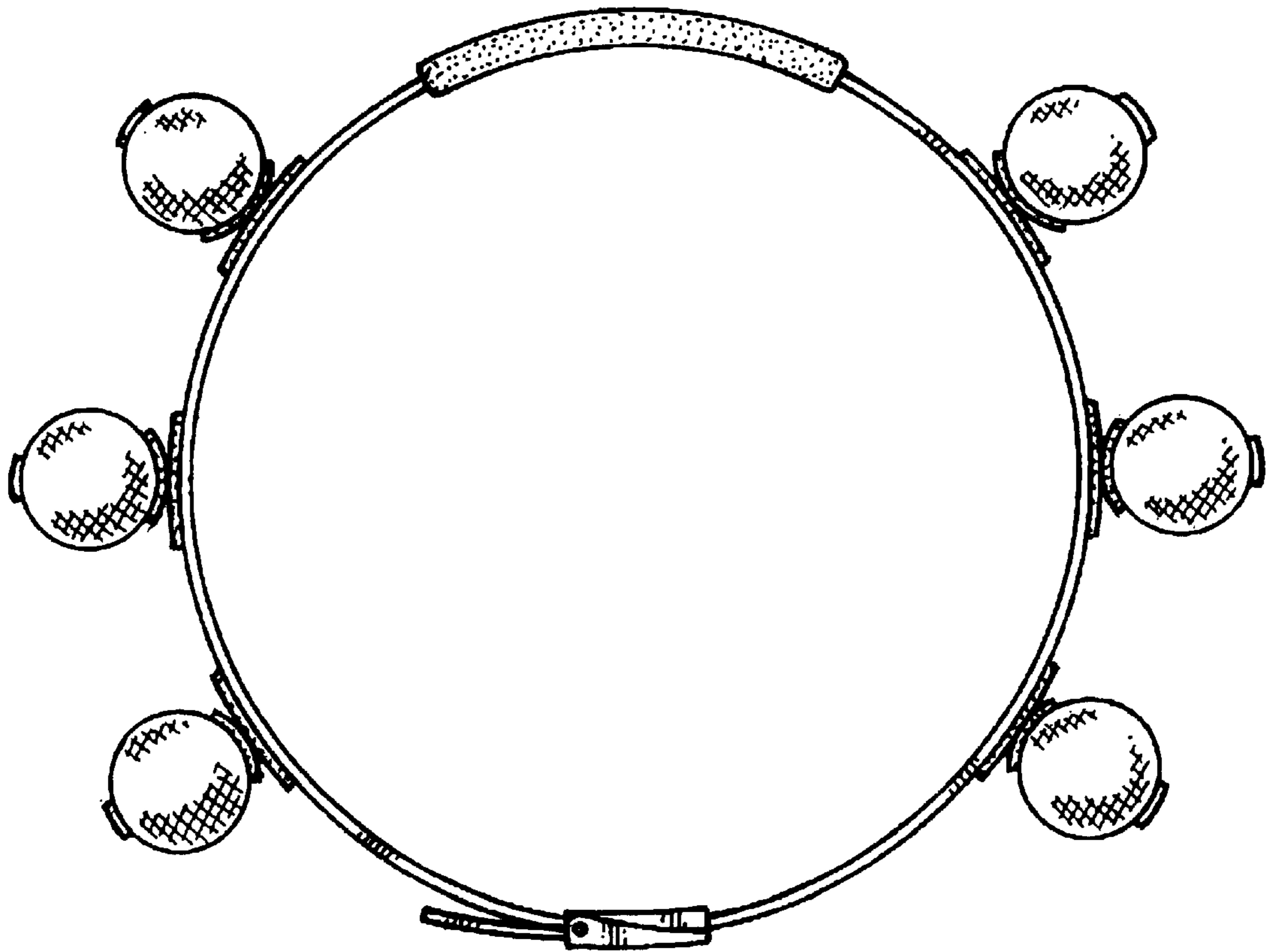


FIG. 2.

FIG. 6.



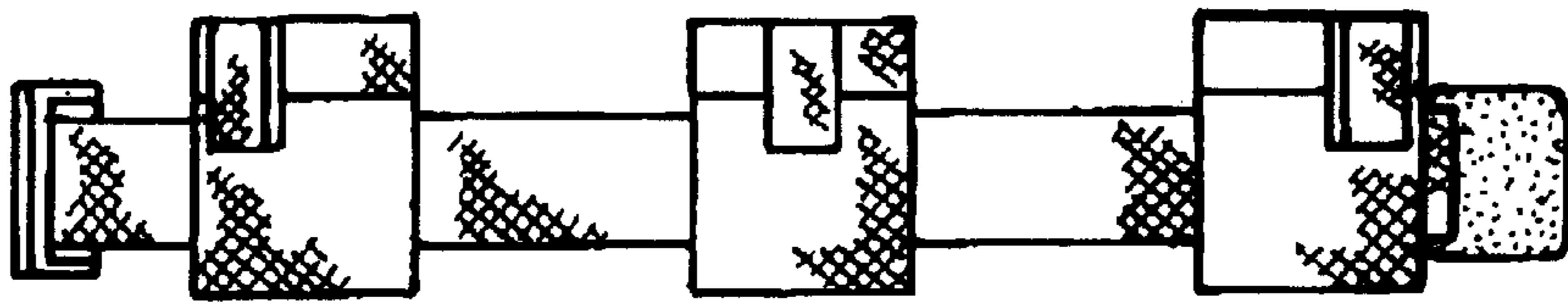


FIG. 4.

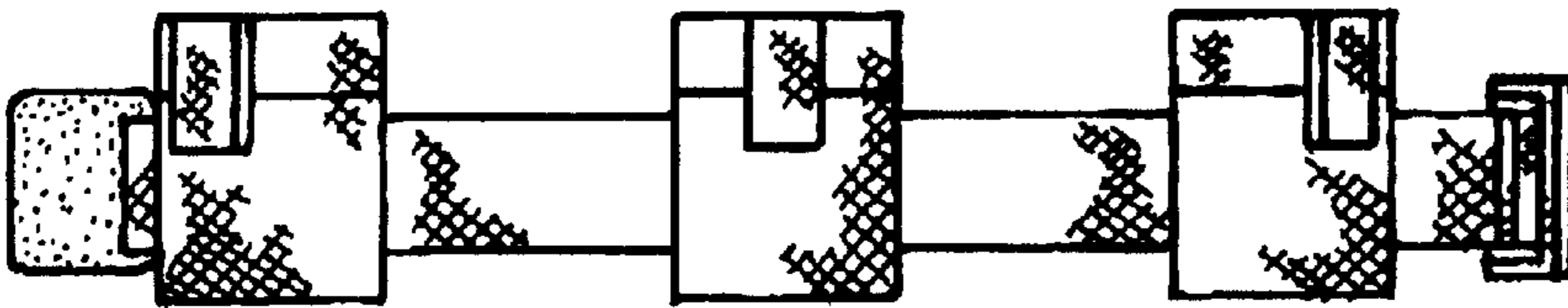


FIG. 5.

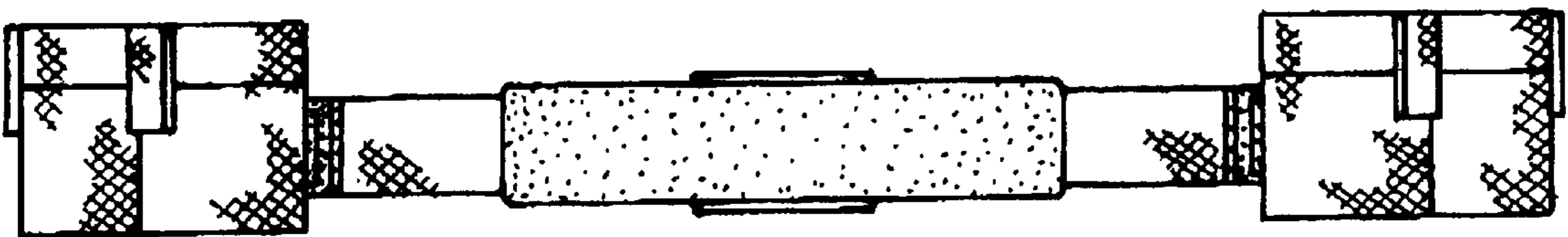


FIG. 3.