



US00D482853S

(12) **United States Design Patent**
Peabody

(10) **Patent No.:** **US D482,853 S**

(45) **Date of Patent:** **** Dec. 2, 2003**

(54) **CLEAT STEM HOLDER**

(76) **Inventor:** **Steven R. Peabody**, P.O. Box 207,
Zionsville, IN (US) 46077

(**) **Term:** **14 Years**

(21) **Appl. No.:** **29/155,409**

(22) **Filed:** **Feb. 11, 2002**

(51) **LOC (7) Cl.** **02-99**

(52) **U.S. Cl.** **D2/962**

(58) **Field of Search** D2/962; 36/127,
36/134, 59 R, 67 D, 67 R

(56) **References Cited**

U.S. PATENT DOCUMENTS

4,193,216 A * 3/1980 Ueda 36/67 D

D463,654 S * 10/2002 Cho D2/962

6,463,681 B1 * 10/2002 Savoie 36/134

6,463,682 B1 * 10/2002 Carroll, Jr. 36/134

* cited by examiner

Primary Examiner—Dominic Simone

(74) *Attorney, Agent, or Firm*—Richard L. Hoff

(57) **CLAIM**

The ornamental design for a cleat stem holder, as shown.

DESCRIPTION

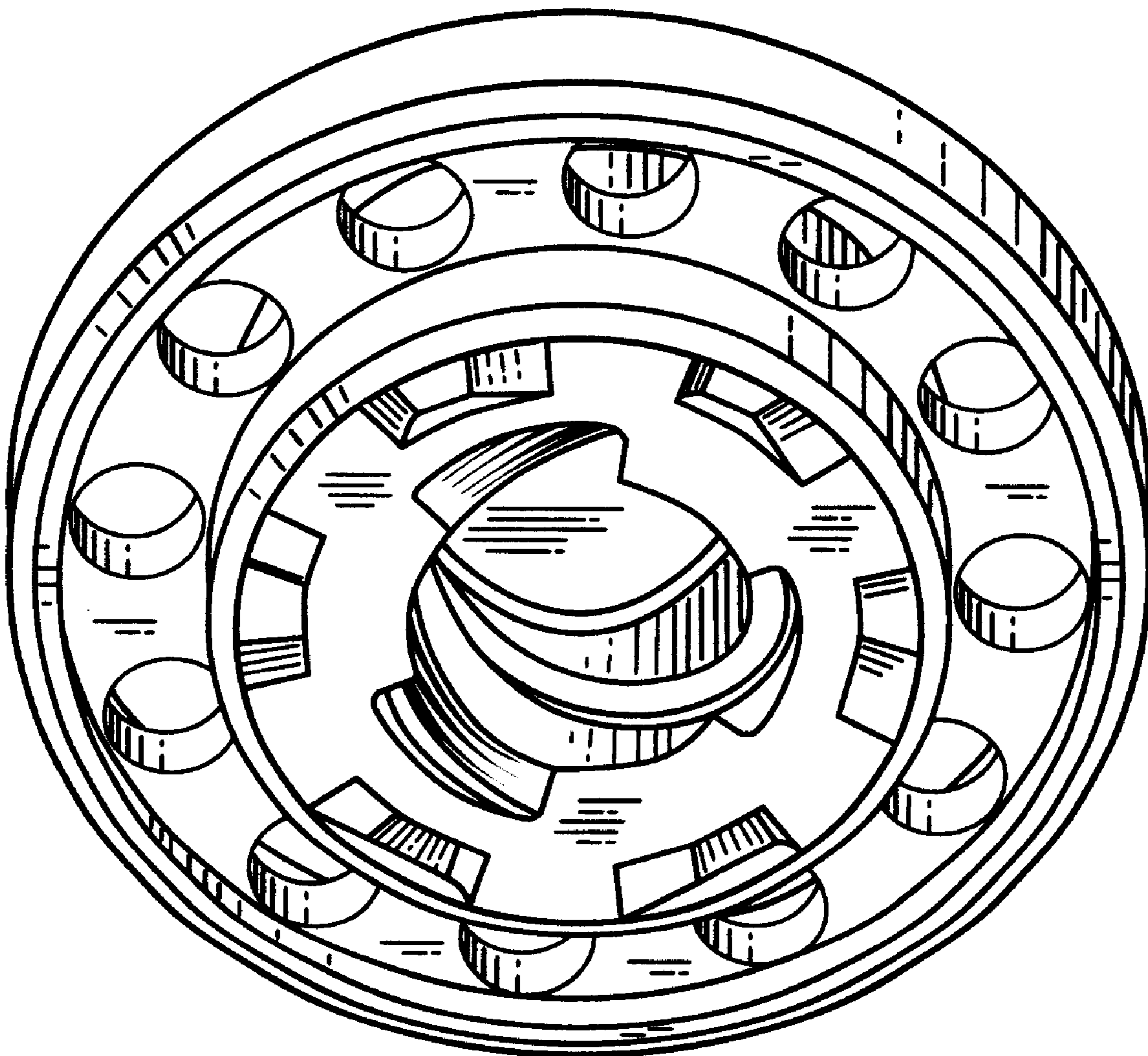
FIG. 1 is a bottom perspective view of a cleat stem holder showing my new design;

FIG. 2 is a side elevational view thereof;

FIG. 3 is a bottom plan view thereof; and,

FIG. 4 is a top plan view thereof.

1 Claim, 2 Drawing Sheets



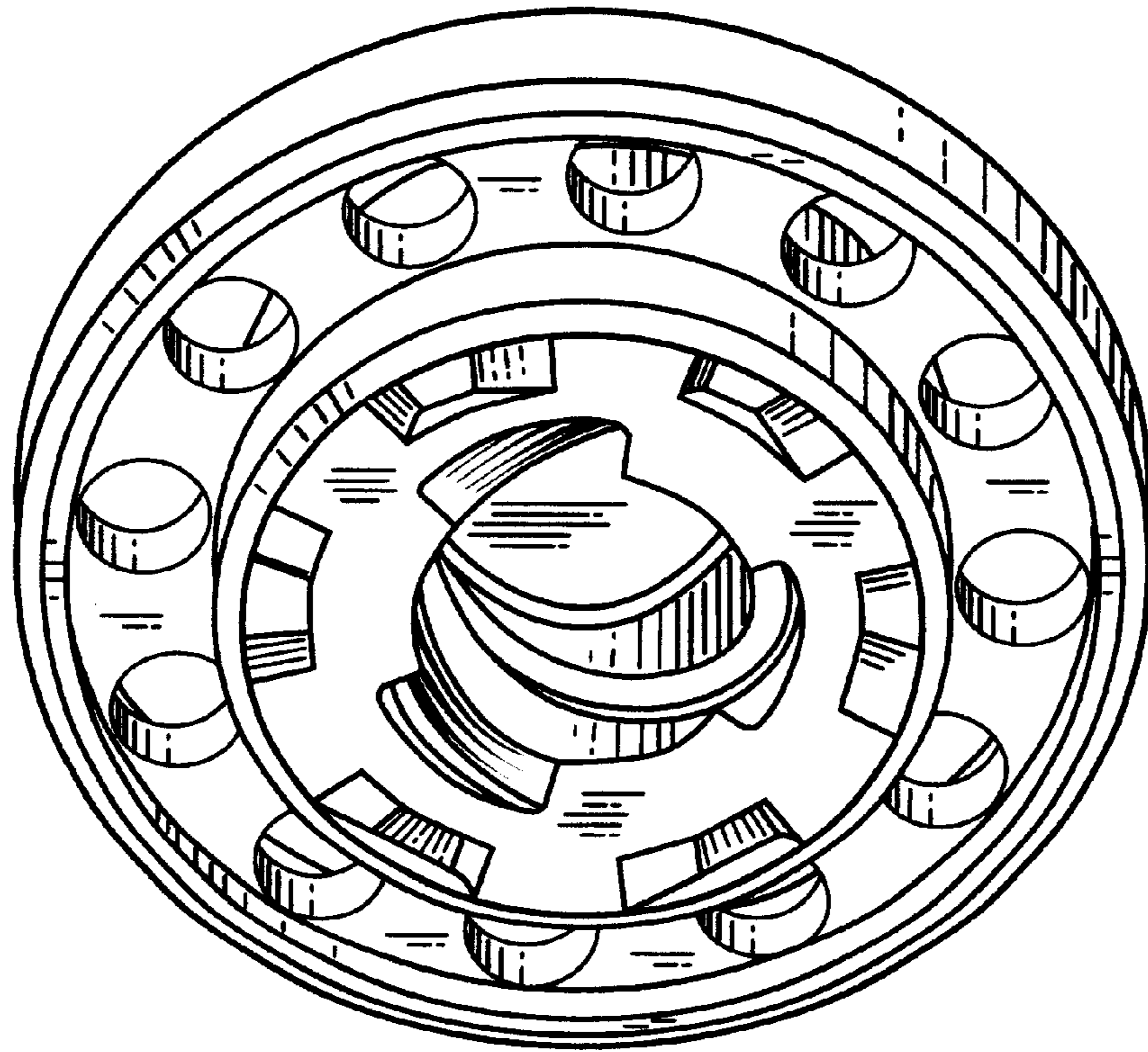


Fig. 1

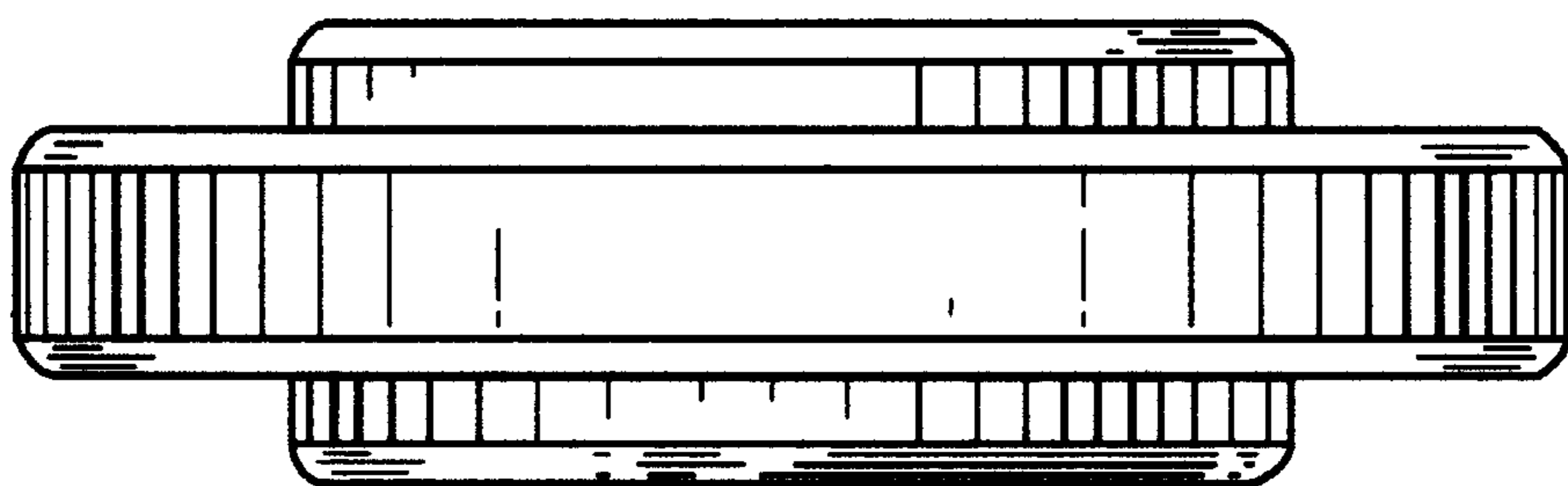


Fig. 2

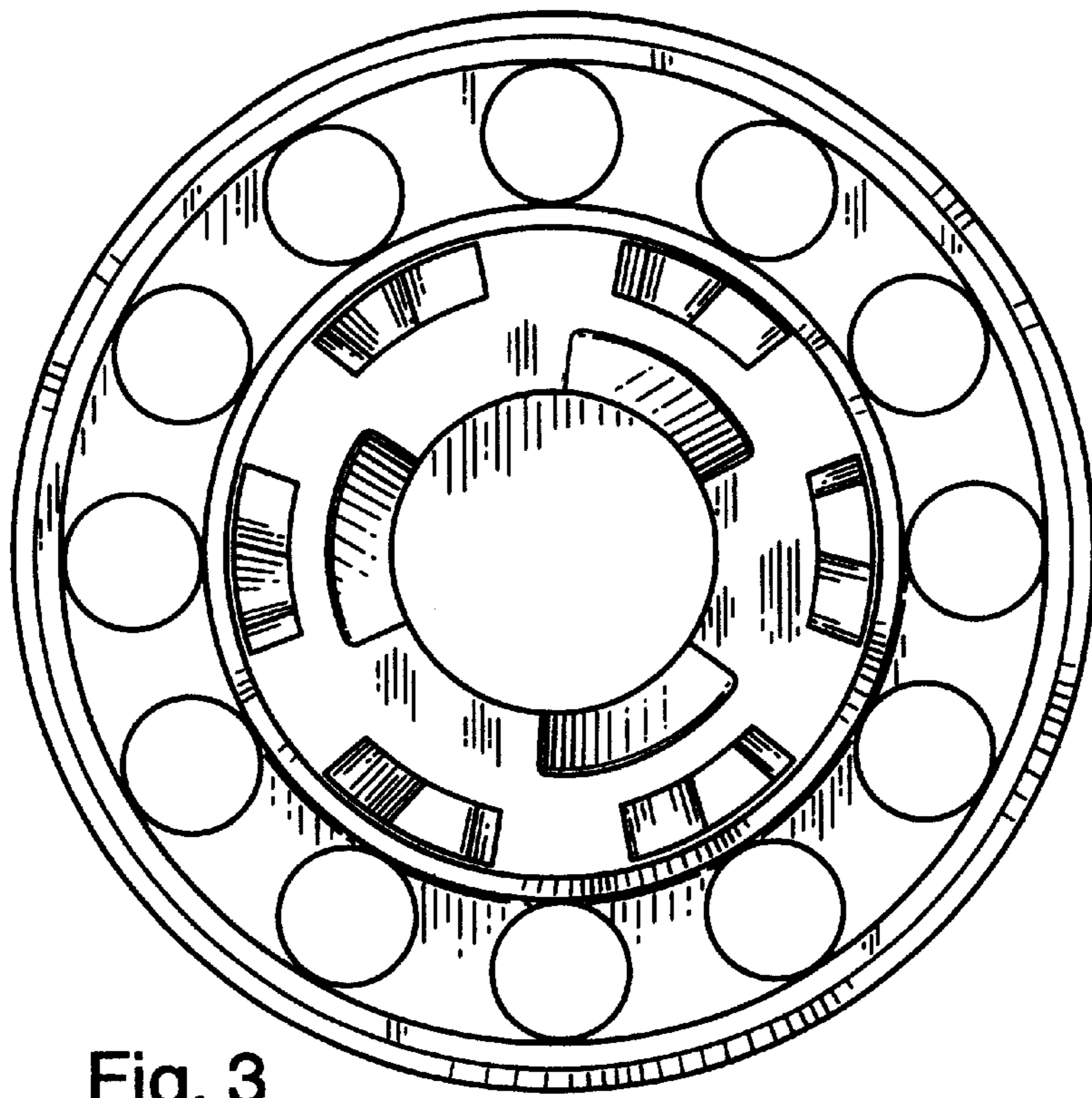


Fig. 3

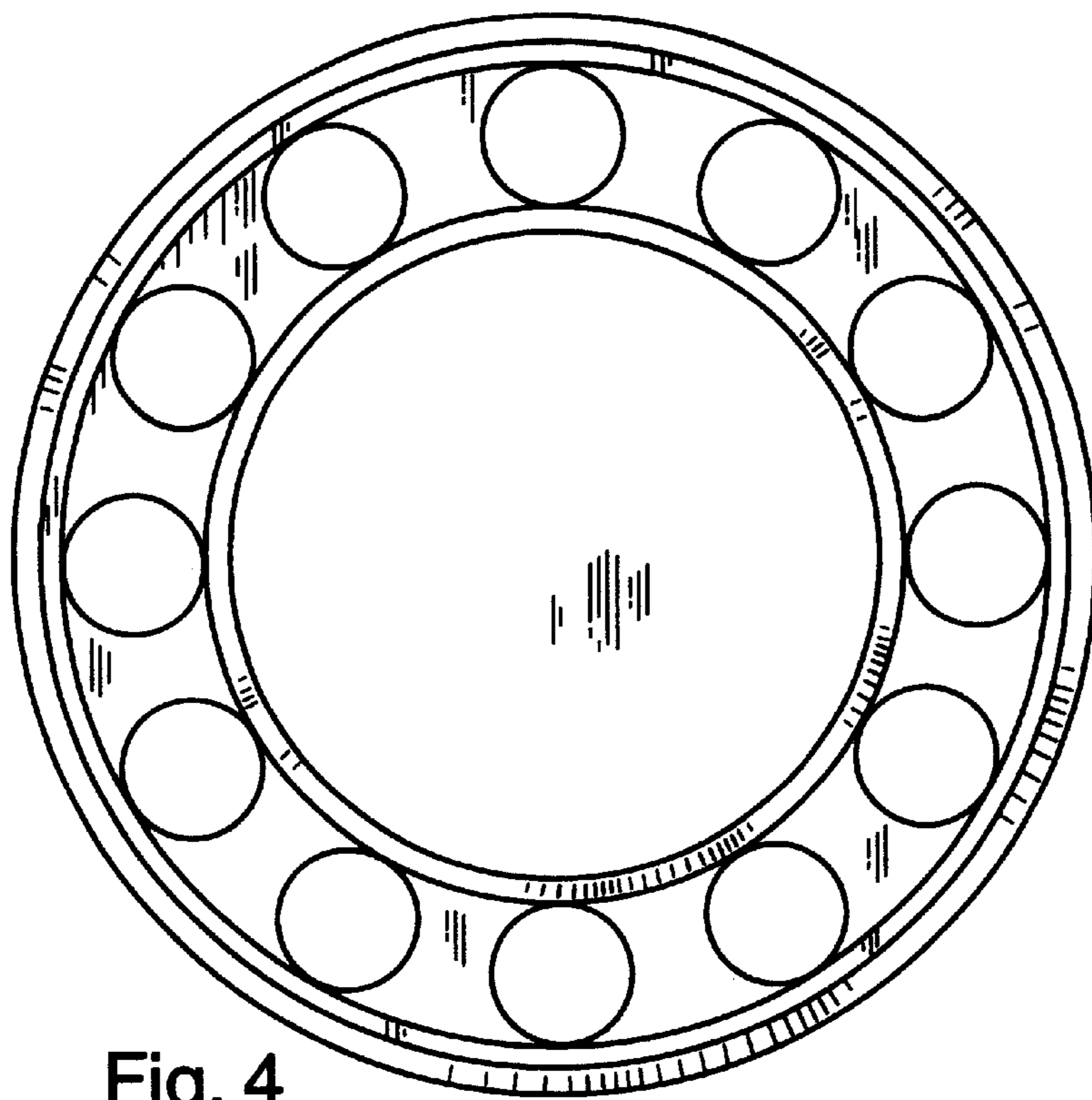


Fig. 4