



US00D482851S

(12) **United States Design Patent**
McClaskie

(10) **Patent No.:** **US D482,851 S**

(45) **Date of Patent:** **** Dec. 2, 2003**

(54) **OUTSOLE**

(75) **Inventor:** **Thomas E. McClaskie**, Bethelam, PA (US)

(73) **Assignee:** **Columbia Insurance Company**, Omaha, NE (US)

(**) **Term:** **14 Years**

(21) **Appl. No.:** **29/171,312**

(22) **Filed:** **Nov. 20, 2002**

(51) **LOC (7) Cl.** **02-04**

(52) **U.S. Cl.** **D2/956; D2/947; D2/951**

(58) **Field of Search** D2/946-949, 951-962, D2/967, 977; 36/3 B, 22 R, 25 R, 30 R, 32 A, 32 R, 59 R, 67 A, 67 B

(56) **References Cited**

U.S. PATENT DOCUMENTS

3,729,840 A	*	5/1973	Famolare, Jr.	36/86
5,083,385 A	*	1/1992	Halford	36/1
D390,351 S	*	2/1998	Nevens et al.	D2/960
D405,944 S	*	2/1999	Sessa	D2/959
D416,668 S	*	11/1999	Witjes	D2/947
D417,943 S	*	12/1999	Solaroli	D2/951
D421,828 S	*	3/2000	Malka	D2/916
D426,947 S	*	6/2000	Pollastrelli	D2/956
D447,853 S	*	9/2001	Merceron	D2/956

D449,429 S	*	10/2001	McClaskie	D2/960
D455,002 S	*	4/2002	Holden	D2/916
D474,330 S	*	5/2003	McClaskie	D2/952
6,571,491 B2	*	6/2003	Safdeye et al.	36/59 R

* cited by examiner

Primary Examiner—Celia Murphy

(74) *Attorney, Agent, or Firm*—St. Onge Steward Johnston & Reens LLC

(57) **CLAIM**

I claim the ornamental design for an outsole, as shown and described in the drawings.

DESCRIPTION

FIG. 1 is a bottom view of an outsole in accordance with the new design;

FIG. 2 is a left side view of the outsole in accordance with the embodiment of the new design shown in FIG. 1;

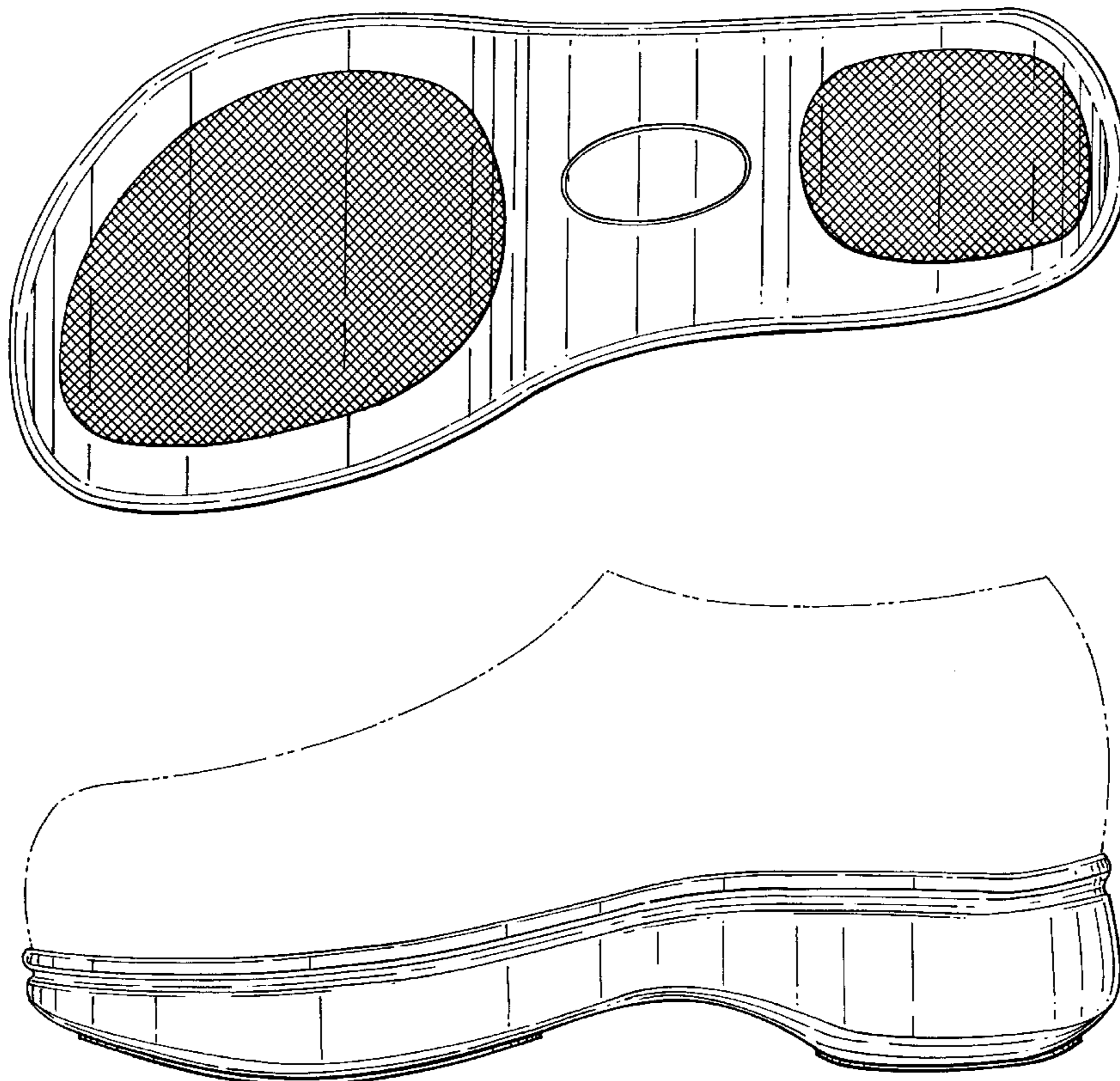
FIG. 3 is a right side view of the outsole in accordance with the embodiment of the new design shown in FIG. 1;

FIG. 4 is a front view of the outsole in accordance with the embodiment of the new design shown in FIG. 1; and,

FIG. 5 is a back view of the outsole in accordance with the embodiment of the new design shown in FIG. 1.

The broken lines showing a shoe upper in FIGS. 2-5 illustrate the environment in which the design resides, and forms no part of the claim.

1 Claim, 4 Drawing Sheets



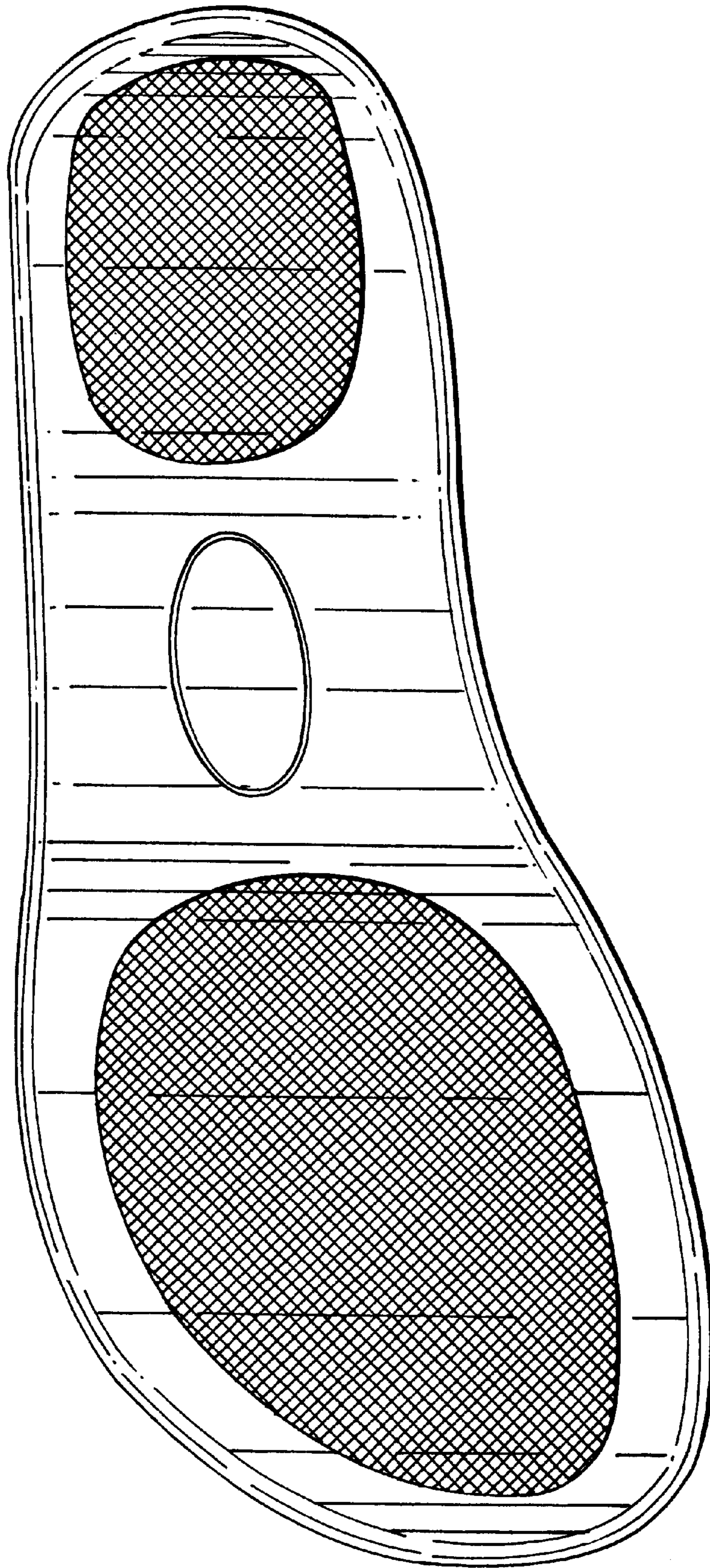


FIG. 1

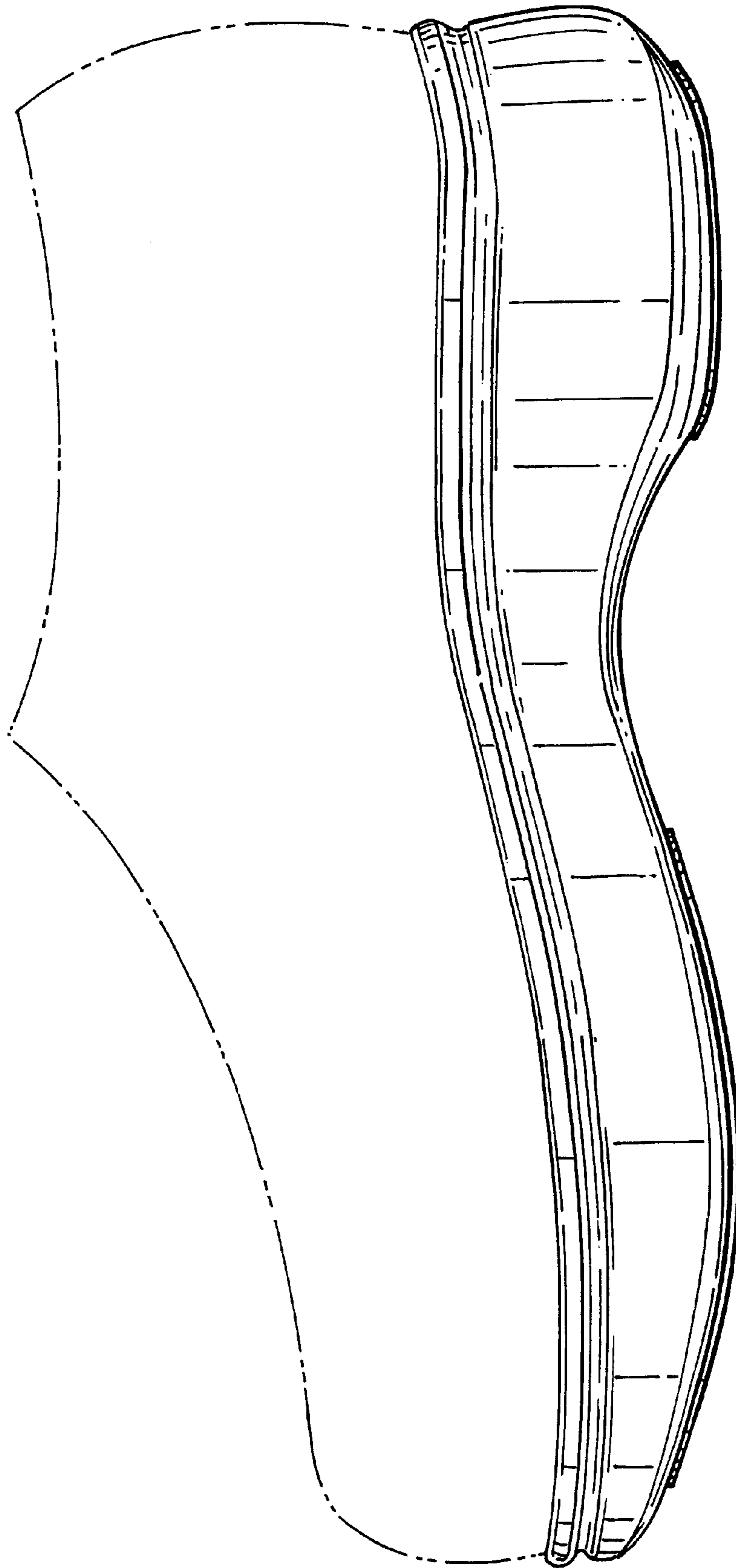


FIG. 2

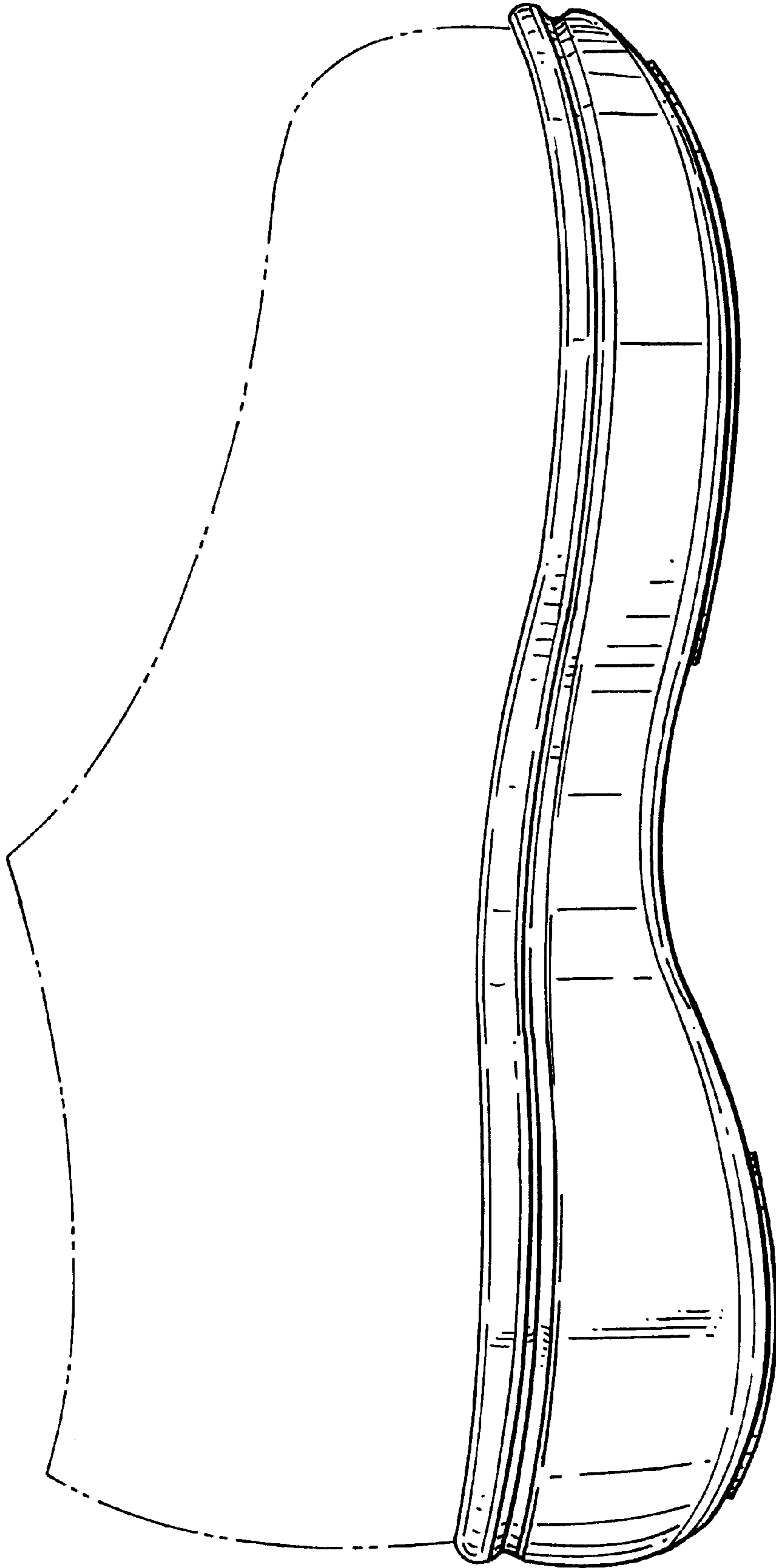


FIG. 3

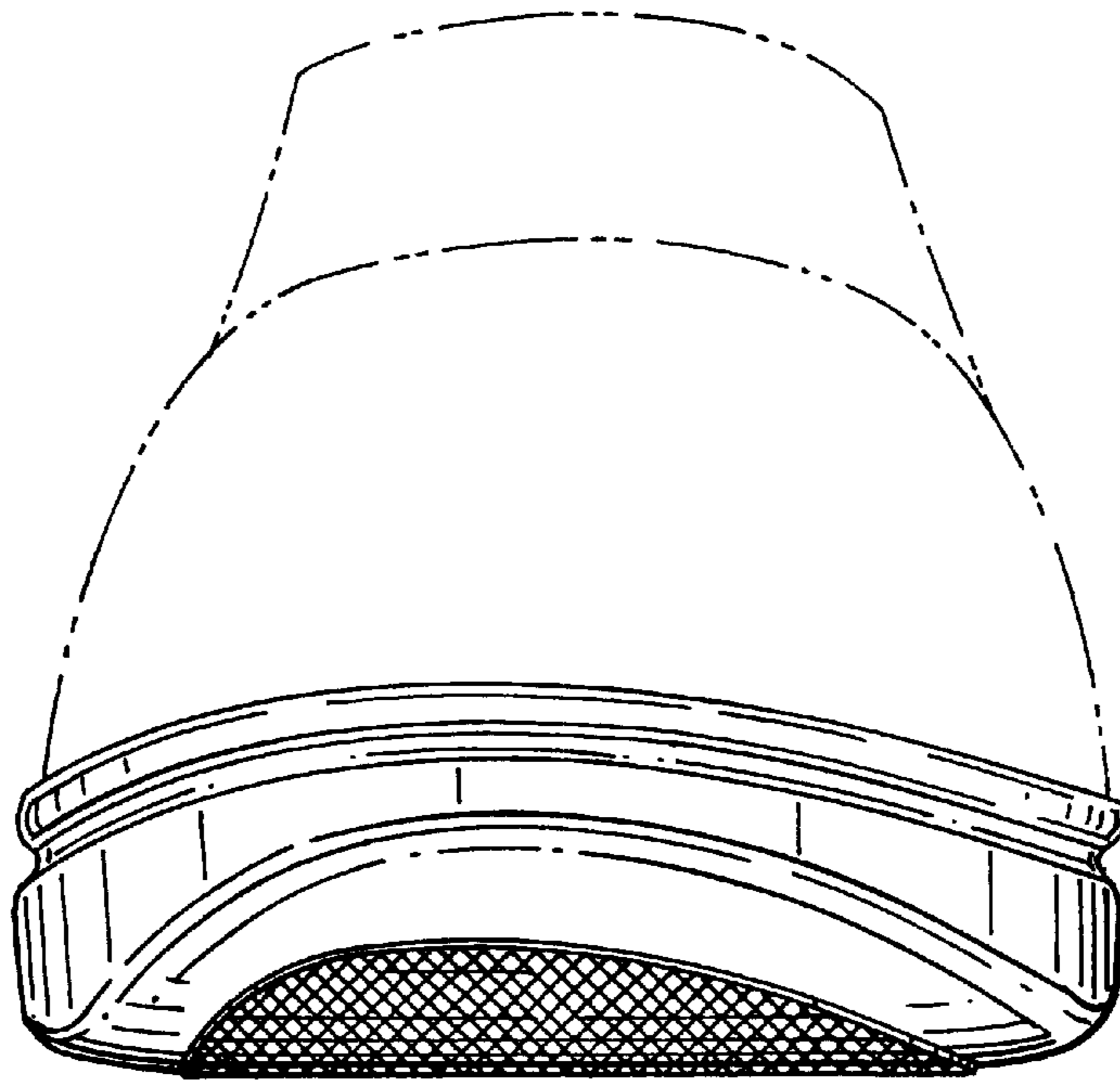


FIG. 4

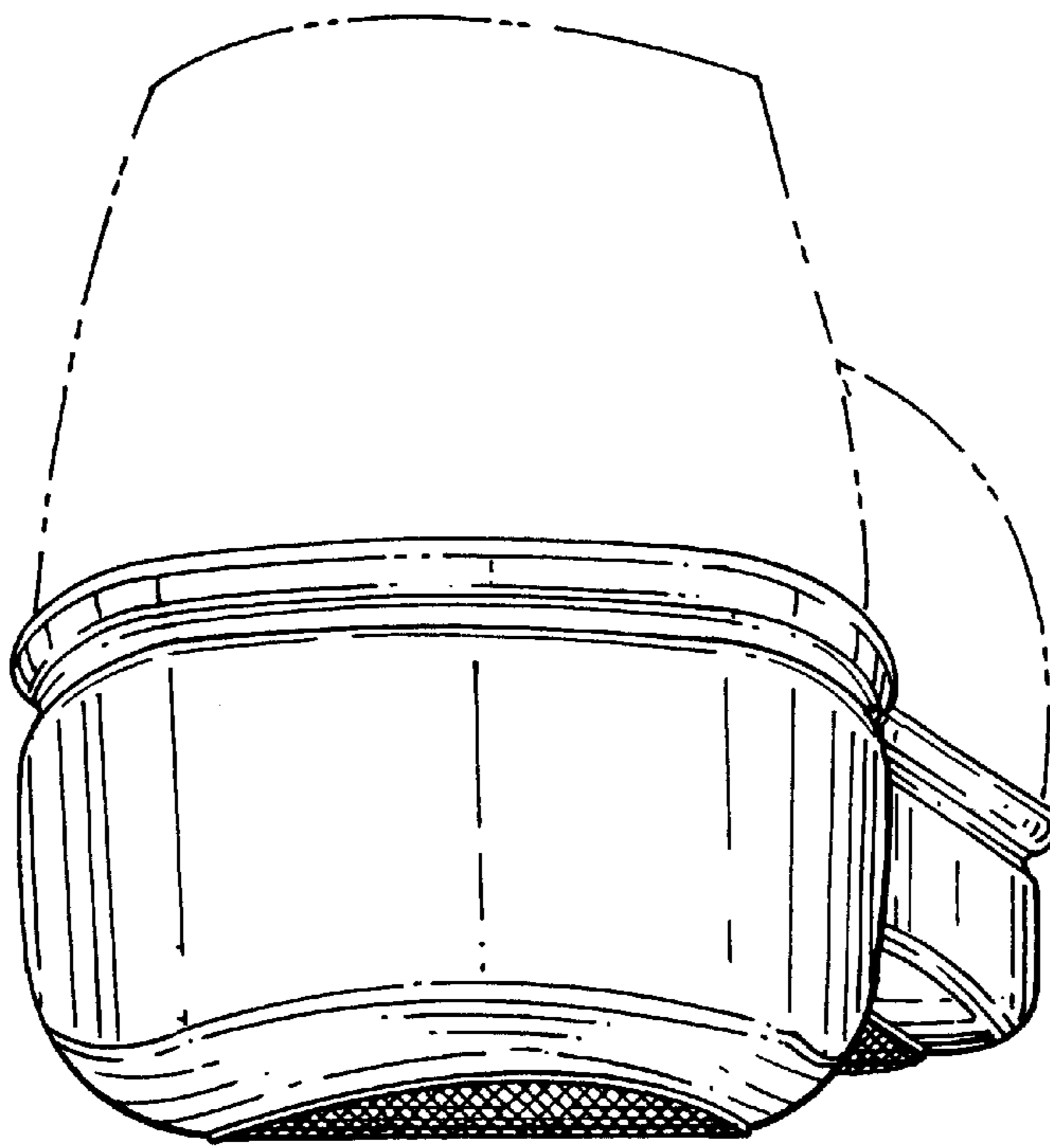


FIG. 5