



US00D482843S

(12) **United States Design Patent**
Burnett

(10) **Patent No.:** **US D482,843 S**

(45) **Date of Patent:** **** Dec. 2, 2003**

(54) **SCARF AND HEADWEAR WITH POCKET FOR RETAINING HAIR**

D359,384 S * 6/1995 Dlugokeski D2/880
5,878,756 A * 3/1999 Bilodeau 132/274
D456,980 S 5/2002 Worthy

(76) **Inventor:** **Norma E. Burnett**, 697 Cherry Hollow Rd., Columbus, OH (US) 43228

* cited by examiner

(**) **Term:** **14 Years**

Primary Examiner—Paula A. Mortimer
(74) *Attorney, Agent, or Firm*—Sean M. Casey

(21) **Appl. No.:** **29/173,049**

(57) **CLAIM**

(22) **Filed:** **Dec. 20, 2002**

The ornamental design for a scarf and headwear with pocket for retaining hair, as shown.

(51) **LOC (7) Cl.** **02-05**

(52) **U.S. Cl.** **D2/500; D2/865**

(58) **Field of Search** D2/865, 500, 866, D2/867, 877, 879, 880, 881, 171, 172, 173, 174, 175.6; 2/195.1, 195.8, 209.12, 209.13, 203, 207; 132/274, 273, 222, 212

DESCRIPTION

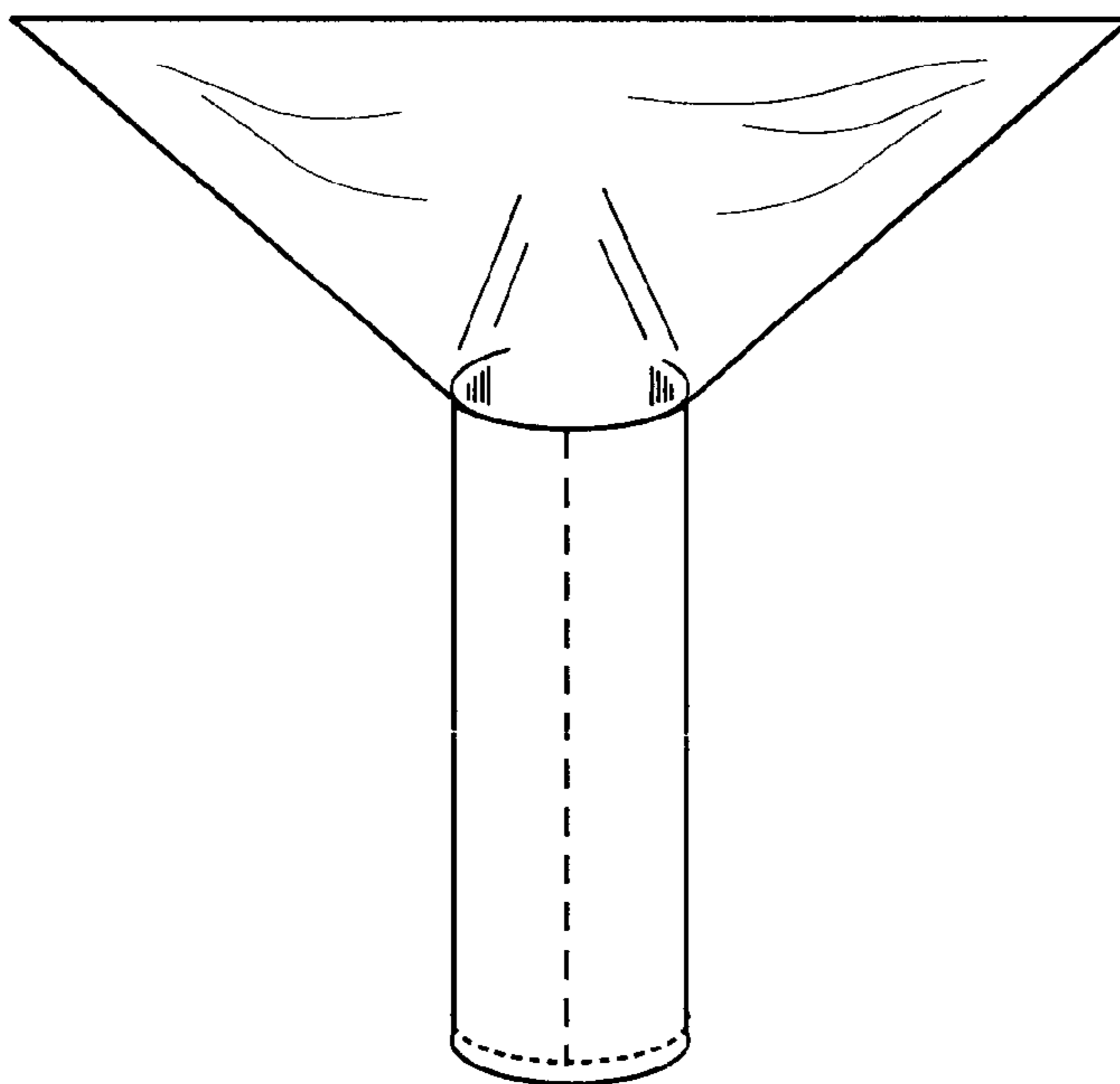
(56) **References Cited**

U.S. PATENT DOCUMENTS

2,089,995 A	8/1937	Dobbs	
2,600,814 A	6/1952	Tomarkin	
2,709,261 A	5/1955	Kalensky	
2,859,448 A	11/1958	Gaichel	
3,377,628 A	4/1968	Le Sante	
3,460,546 A	8/1969	Abott	
3,480,970 A	12/1969	Gettinger	
3,618,140 A	11/1971	Goldfarb	
4,492,242 A	1/1985	Dalton	
5,048,128 A	9/1991	Watson, Jr.	
5,062,157 A	* 11/1991	Muta	2/171
5,161,260 A	* 11/1992	Reynolds	2/207
D342,596 S	* 12/1993	Flies	D2/865
5,381,559 A	1/1995	Wakefield, III	

FIG. 1 is a plan view, in modified scale, of a scarf and headwear with pocket for retaining hair according to my design and in the unassembled configuration;
 FIG. 2 is a plan view, in modified scale, of the scarf and headwear of FIG. 1 as it is assembled;
 FIG. 3 is a plan view, in modified scale, of the scarf and headwear of FIGS. 1 and 2 after assembly and with the open pocket formed about an inferior portion;
 FIG. 4 is a plan view, in modified scale, of the scarf and headwear of FIGS. 1 and 2 after assembly and with the pocket formed about an inferior portion and modified to have an elastic portion about the opening of the pocket; and,
 FIG. 5 is a front perspective view thereof;
 FIG. 6 is a rear perspective view in an alternate configuration;
 FIG. 7 is a front perspective view in an alternate configuration; and,
 FIG. 8 is a rear perspective view in an alternate configuration.

1 Claim, 2 Drawing Sheets



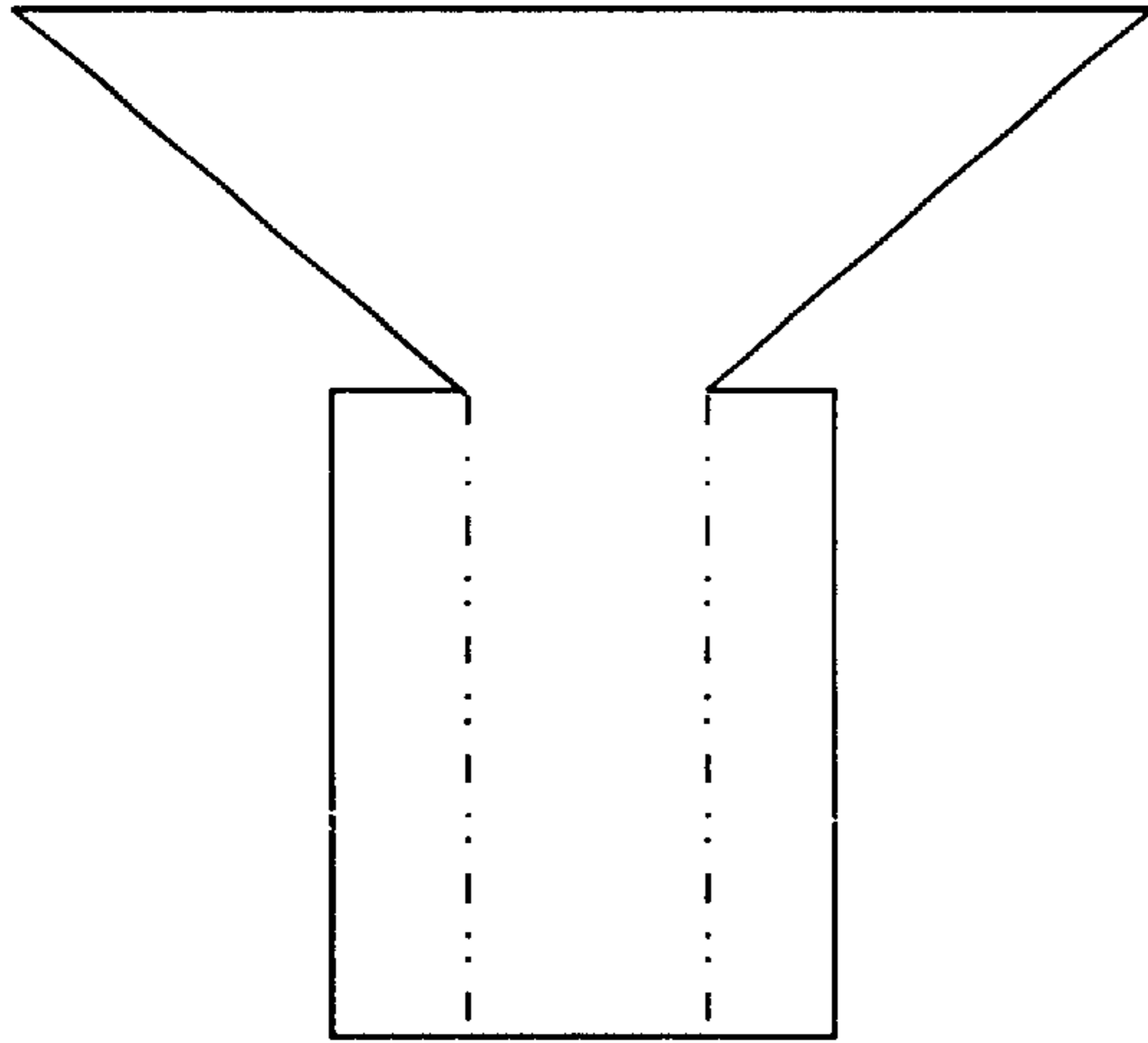


FIG. 1

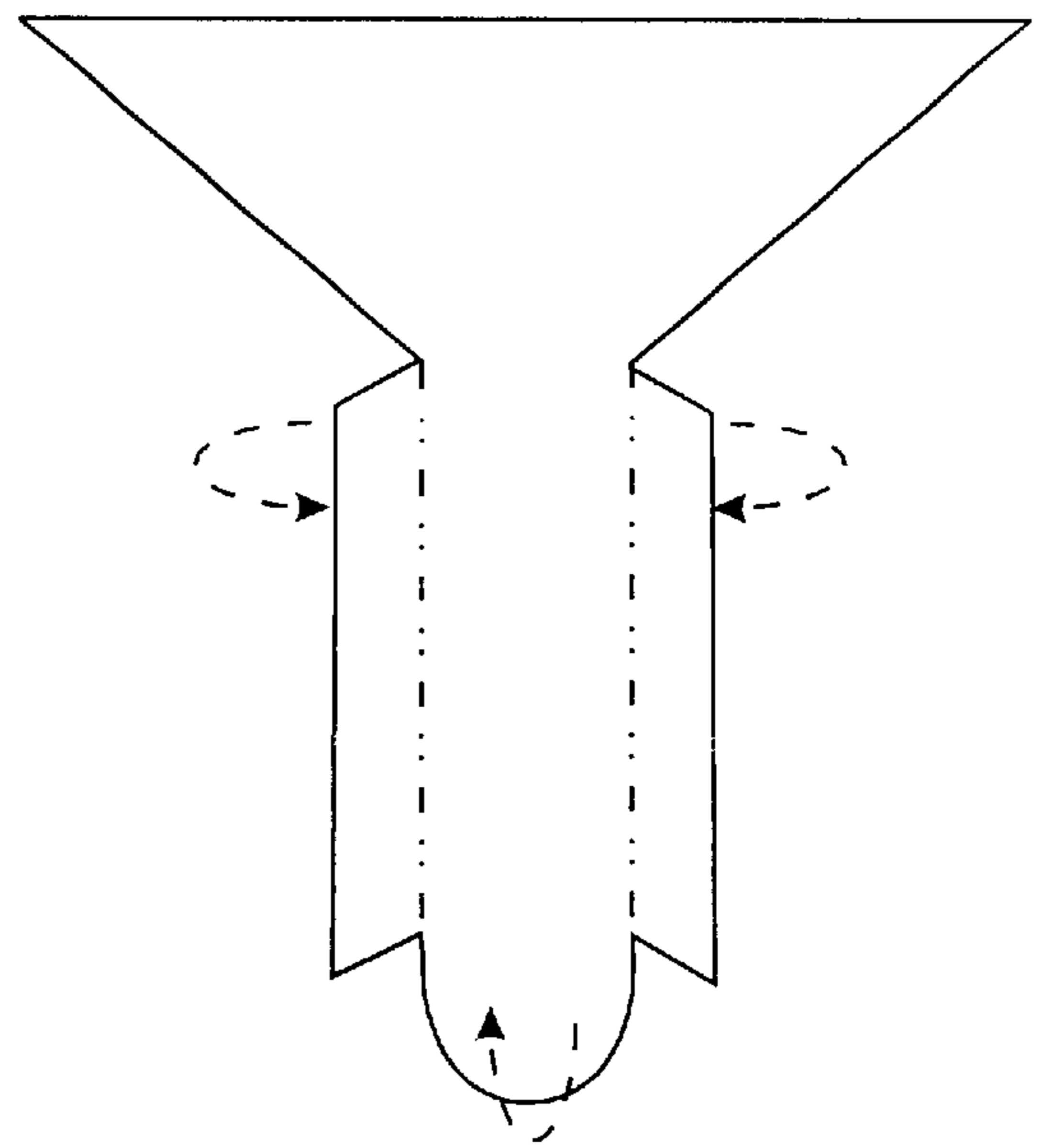


FIG. 2

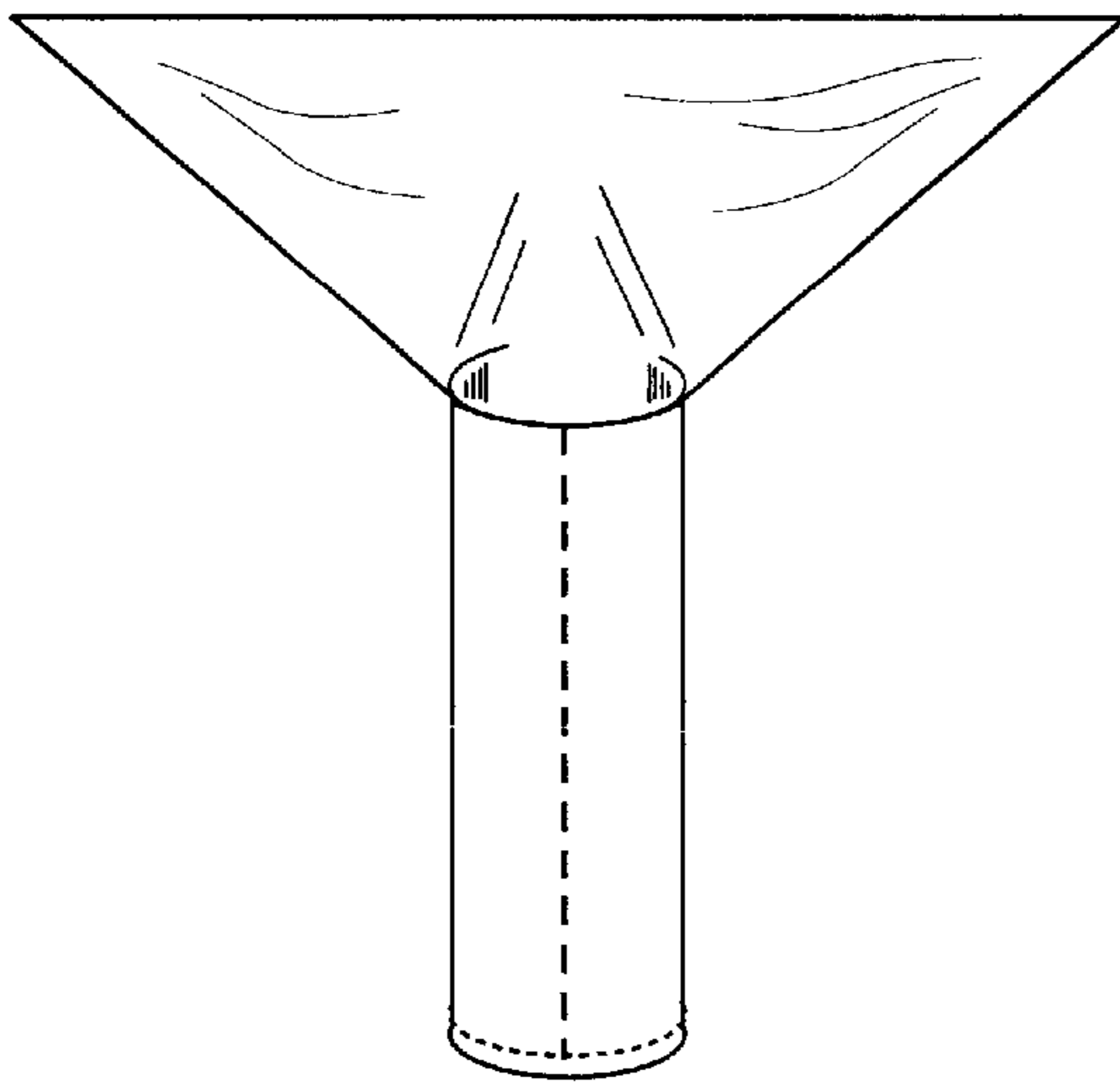


FIG. 3

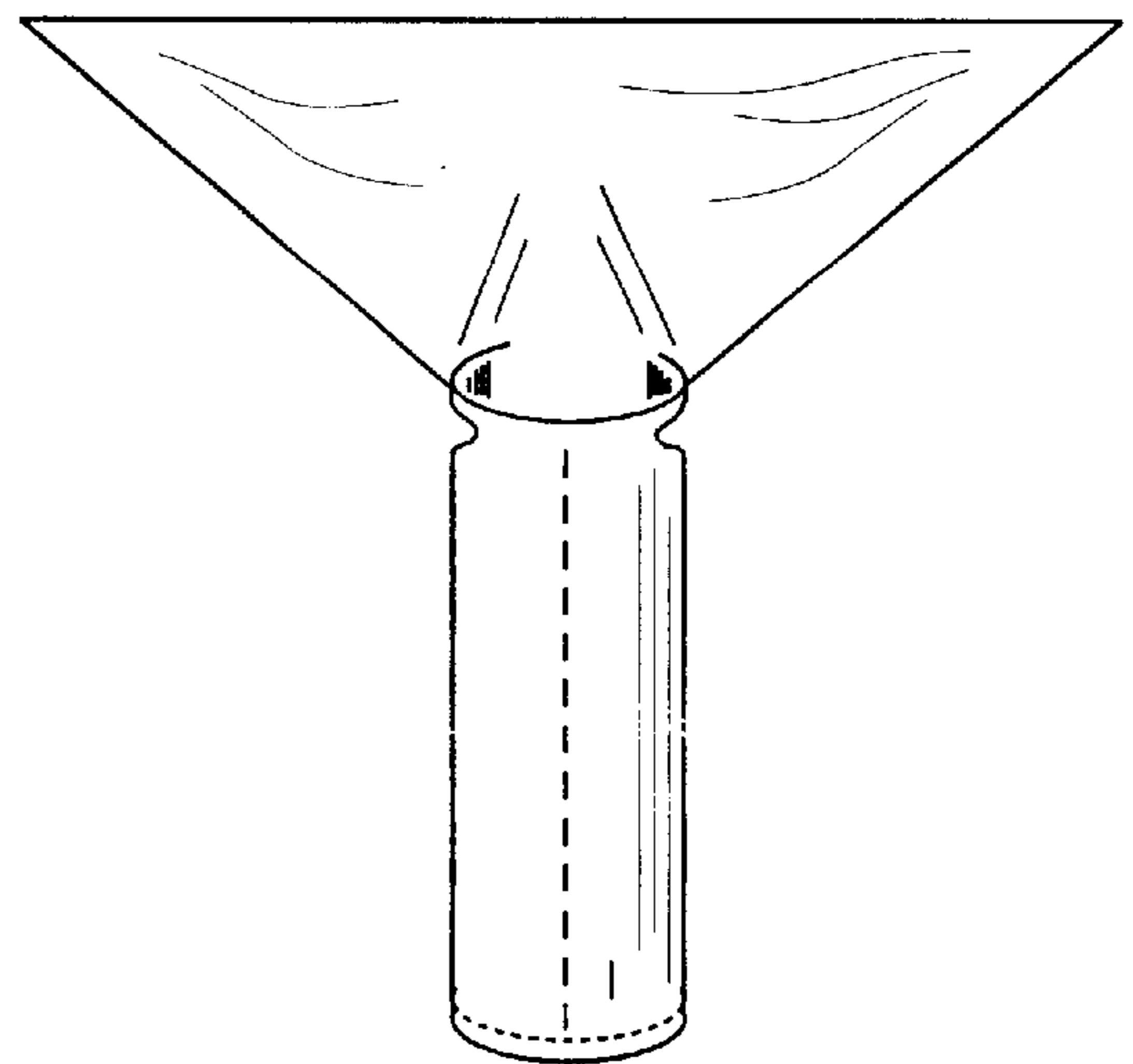


FIG. 4

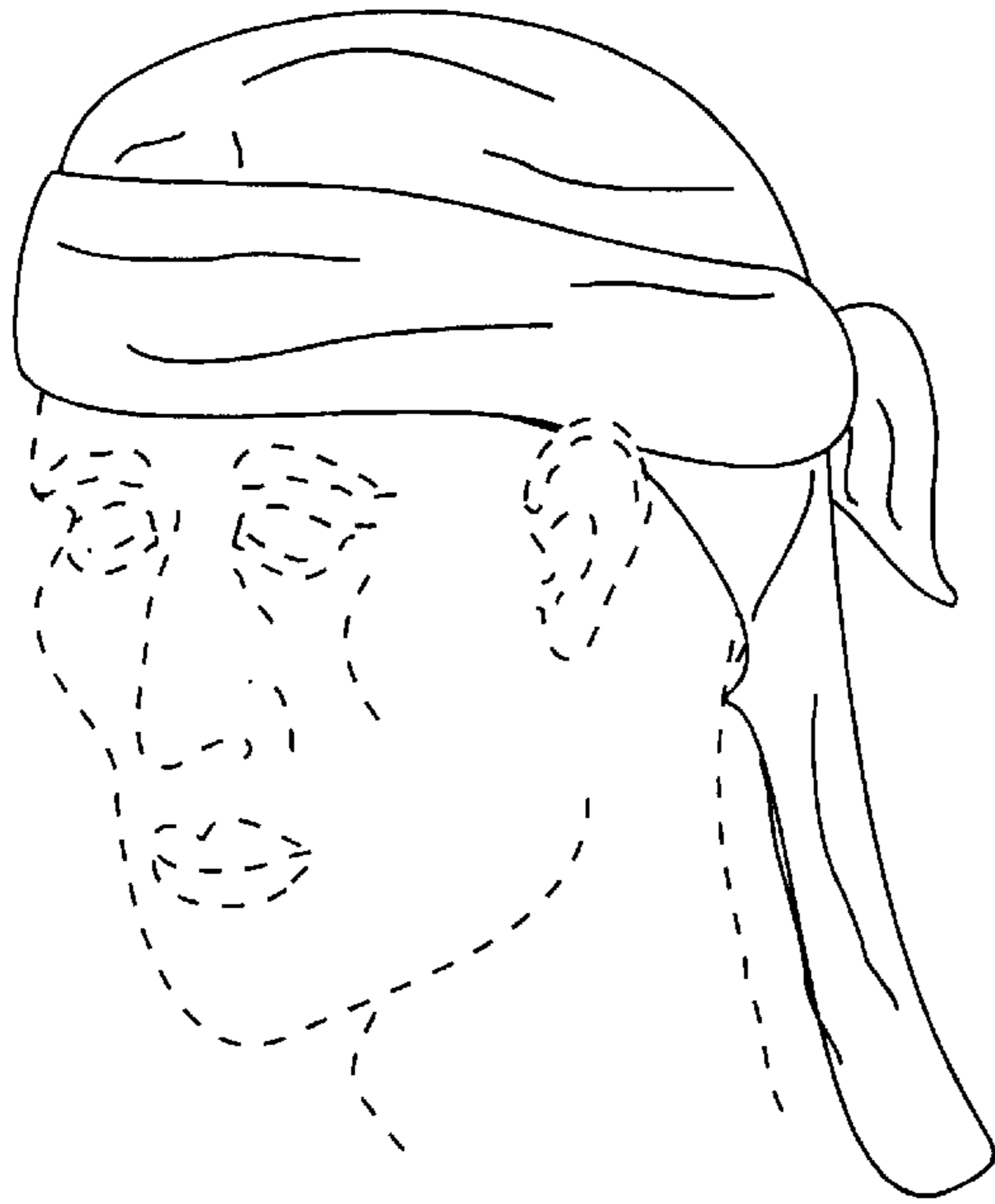


FIG. 5

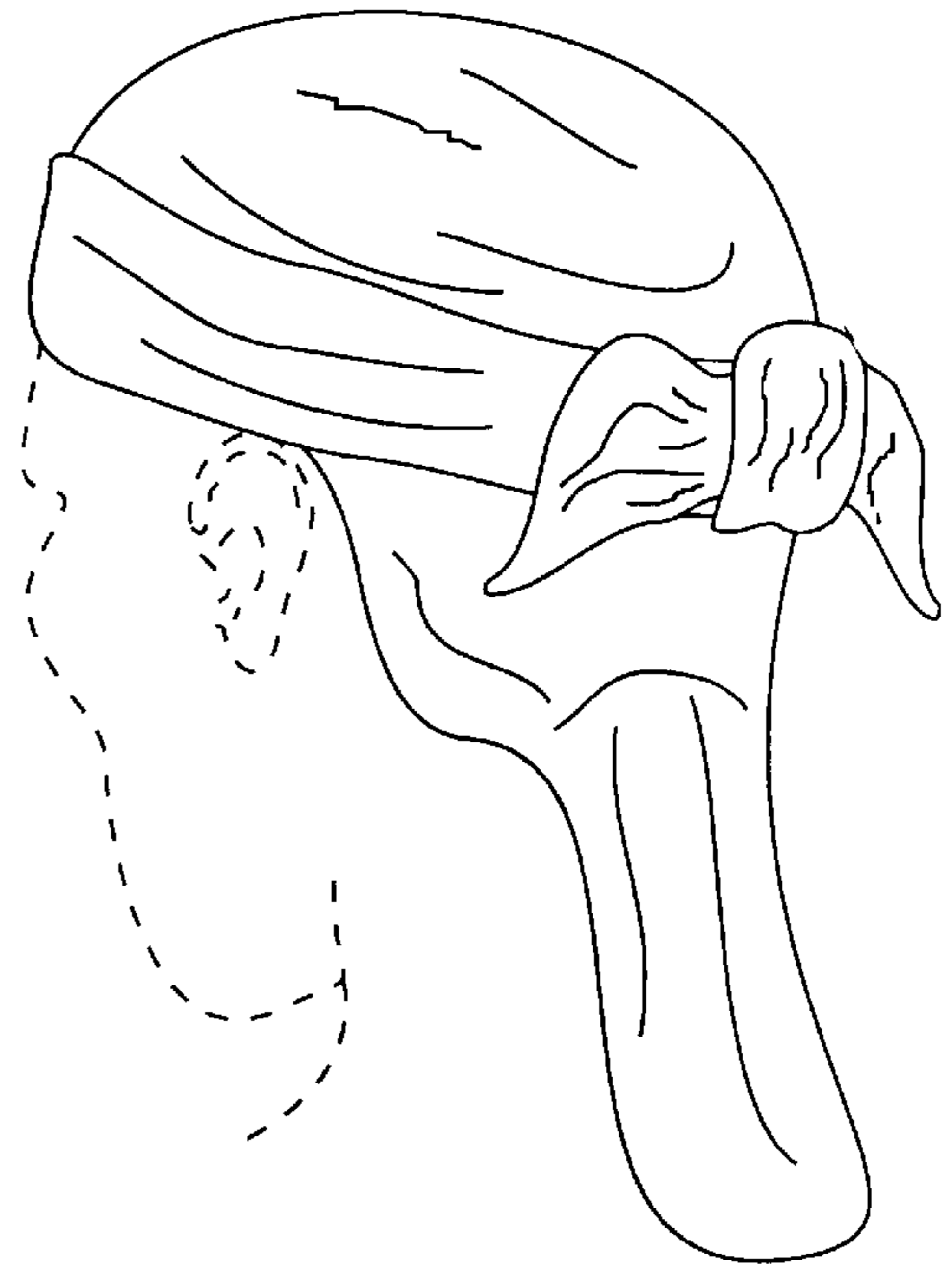


FIG. 6

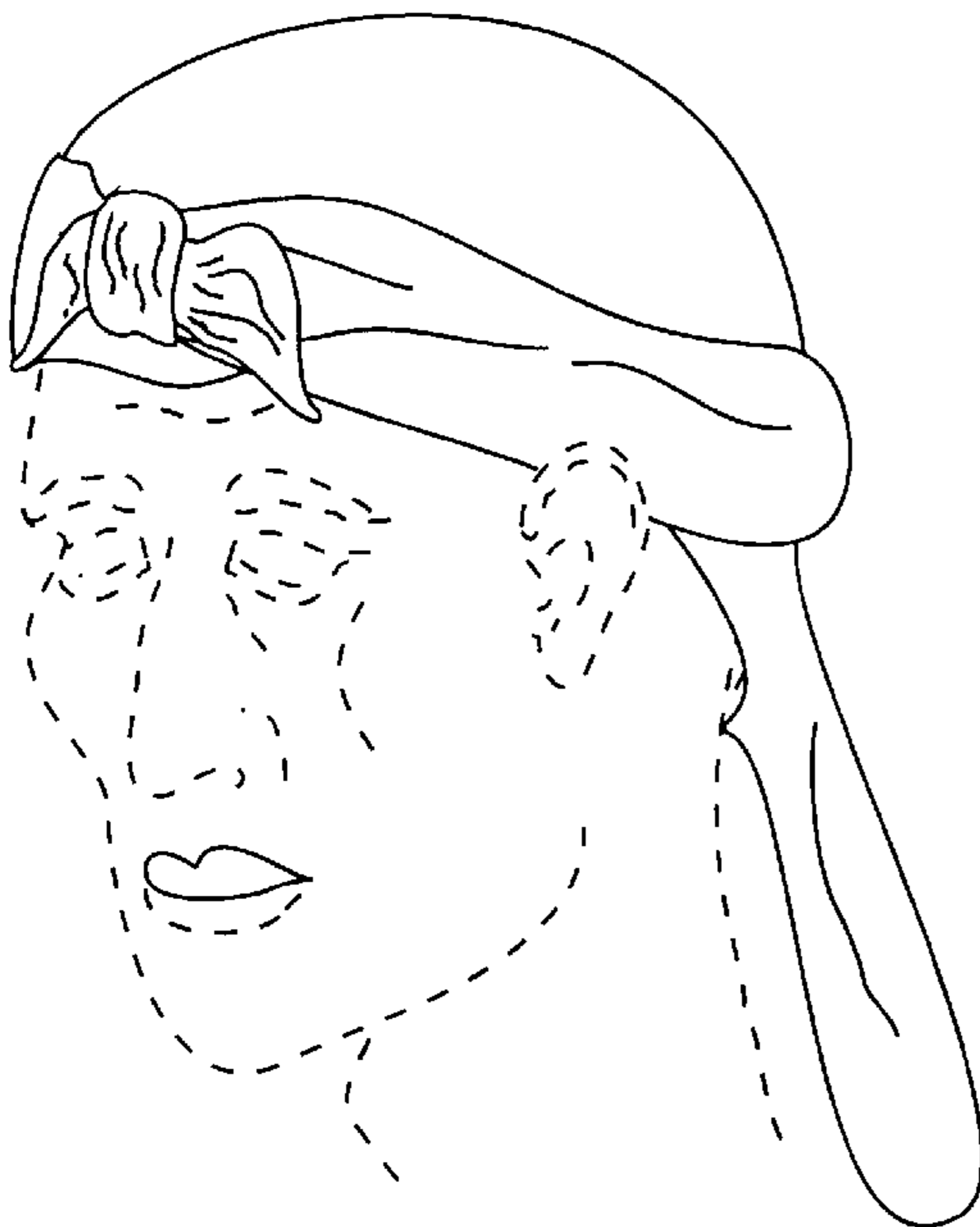


FIG. 7

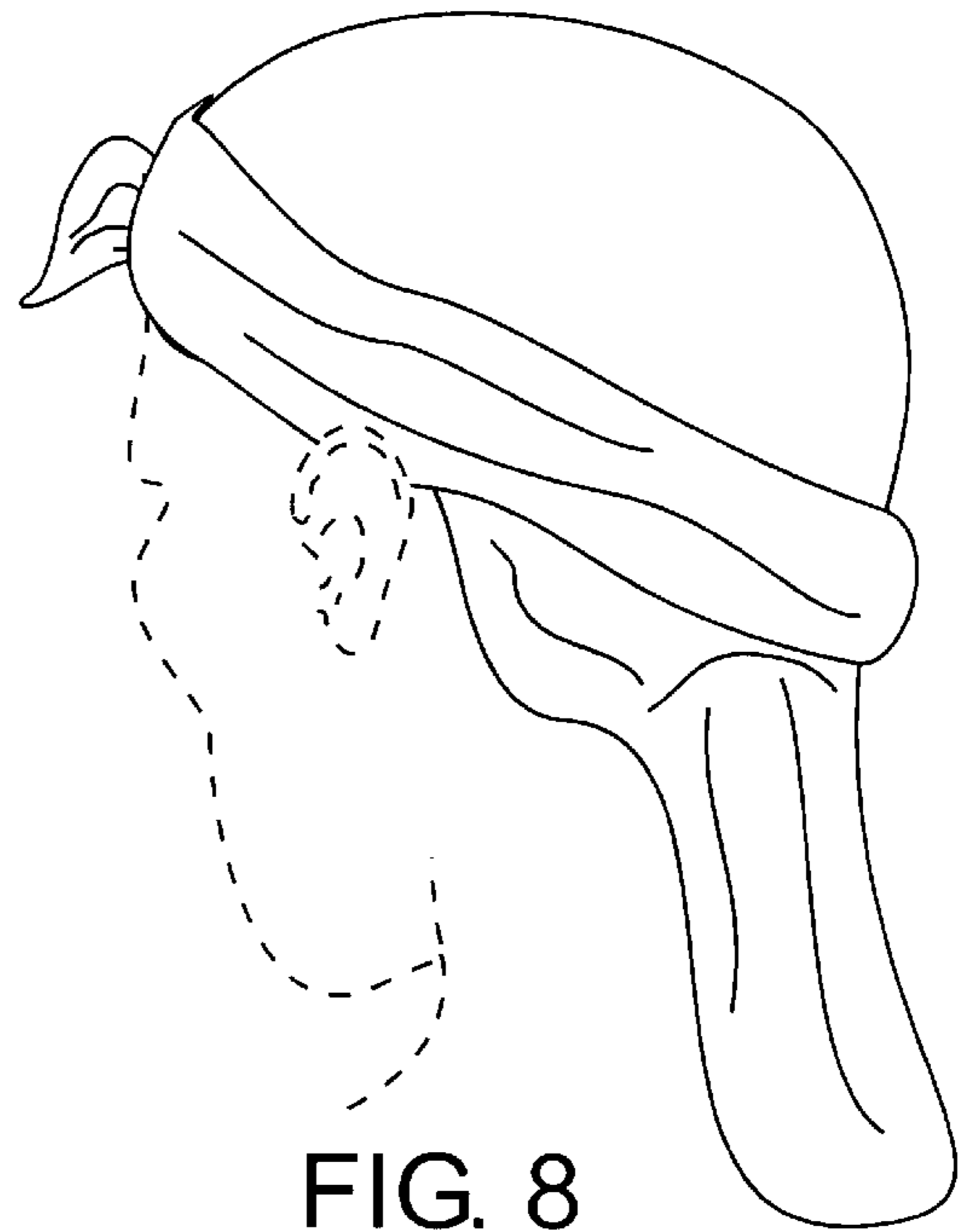


FIG. 8