



US00D482842S

(12) **United States Design Patent** (10) **Patent No.:** **US D482,842 S**  
**Fair** (45) **Date of Patent:** **\*\* Dec. 2, 2003**

(54) **STORAGE CASE FOR A CAMCORDER AND ACCESSORIES**

(75) Inventor: **Paul Fair**, Denver, CO (US)

(73) Assignee: **Case Logic, Inc.**, Longmont, CO (US)

(\*\*) Term: **14 Years**

(21) Appl. No.: **29/168,941**

(22) Filed: **Oct. 11, 2002**

(51) **LOC (7) Cl.** ..... **03-01**

(52) **U.S. Cl.** ..... **D2/267; D3/263**

(58) **Field of Search** ..... D3/208, 215, 219,  
D3/225, 226, 243, 263, 267, 268, 270,  
273, 276, 283, 285, 287, 289, 290, 301;  
D6/632; D21/618, 654; 206/316.1, 316.2;  
224/583, 612, 908

(56) **References Cited**

**U.S. PATENT DOCUMENTS**

2,960,137	A	*	11/1960	Lipsitz	
D442,777	S	*	5/2001	Smith	D3/226
D447,631	S	*	9/2001	Hillman	D3/289
D455,256	S	*	4/2002	Tyler	D3/219
D465,326	S		11/2002	Hassett	D3/263
D465,328	S		11/2002	Hassett	D3/267
D465,329	S		11/2002	Hassett	D3/267
D467,073	S	*	12/2002	Hassett	D3/267
D472,379	S	*	4/2003	Hillman	D3/267
D472,380	S	*	4/2003	Hillman	D3/267
D472,706	S	*	4/2003	Hassett	D3/289
D473,051	S	*	4/2003	Hassett	D3/267

**OTHER PUBLICATIONS**

Case Logic 1999 Catalog, pp. 2, and 22.

Case Logic Spring 2000 Catalog, p. 24.

Case Logic What's Inside Survives 2002 Catalog, pp. 30 and 31.

LOWEPRO 2000 Catalog, pp. 29, 31, 33, 41 and 51.

Ambico Video Luggage & Photo Cases, Catalog, p. 5.

Tamrac 20<sup>th</sup> Anniversary Catalog, pp. 2, 16, 17, 21, 22, 28, 29, 39 and 43.

Samsonite German Photo Video Catalog, pp. 130, 140, 150, 180 and 210.

\* cited by examiner

*Primary Examiner*—Celia Murphy

(74) *Attorney, Agent, or Firm*—Sheridan Ross P.C.

(57) **CLAIM**

The ornamental design for a storage case for a camcorder and accessories, as shown and described.

**DESCRIPTION**

FIG. 1 is a front perspective view of a storage case for a camcorder and accessories showing my new design with the front flap and pocket in an open position; the broken lines representing environment and forming no part of the claimed design;

FIG. 2 is a front elevational view thereof, shown in a closed position;

FIG. 3 is a rear elevational view of FIG. 2;

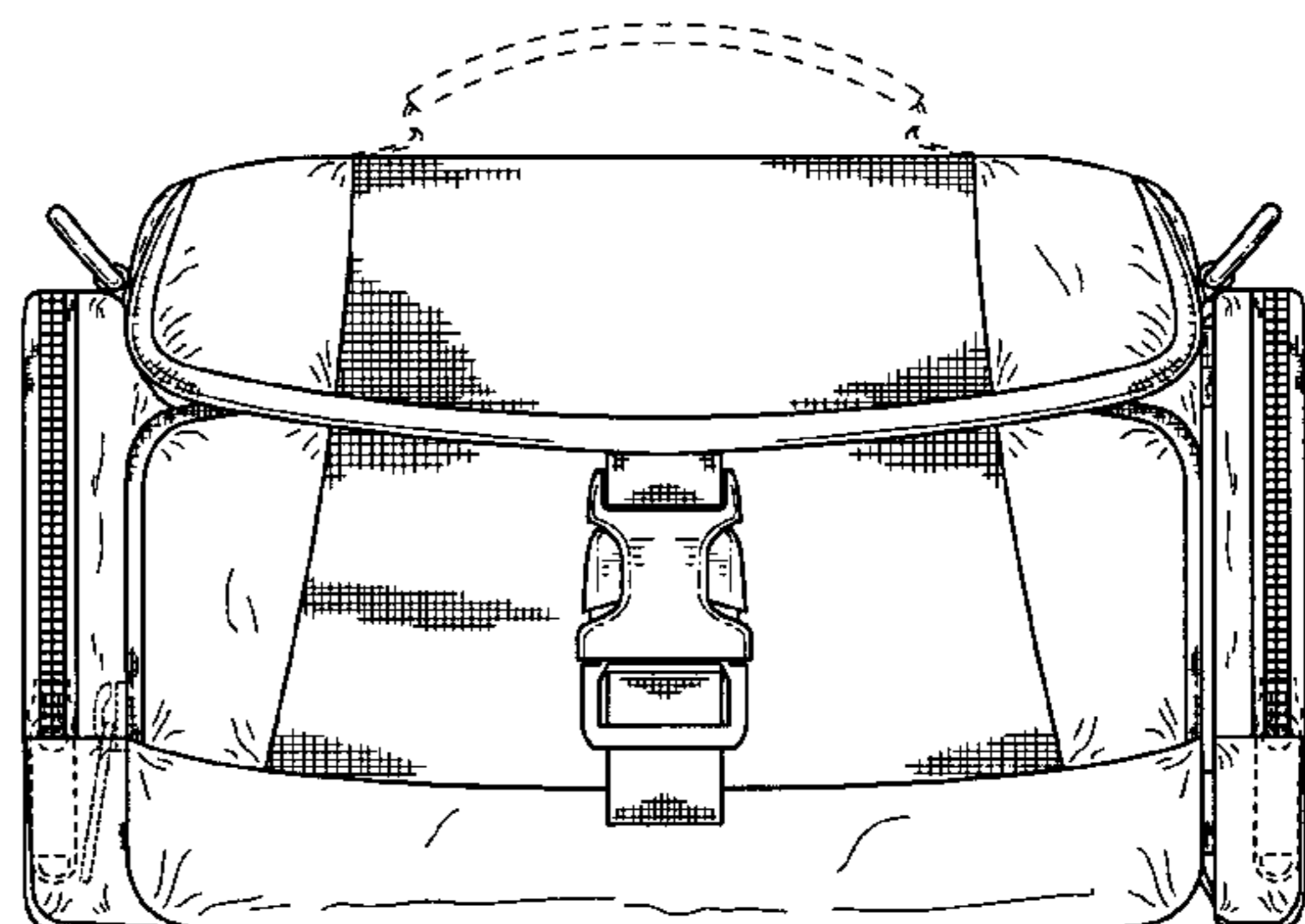
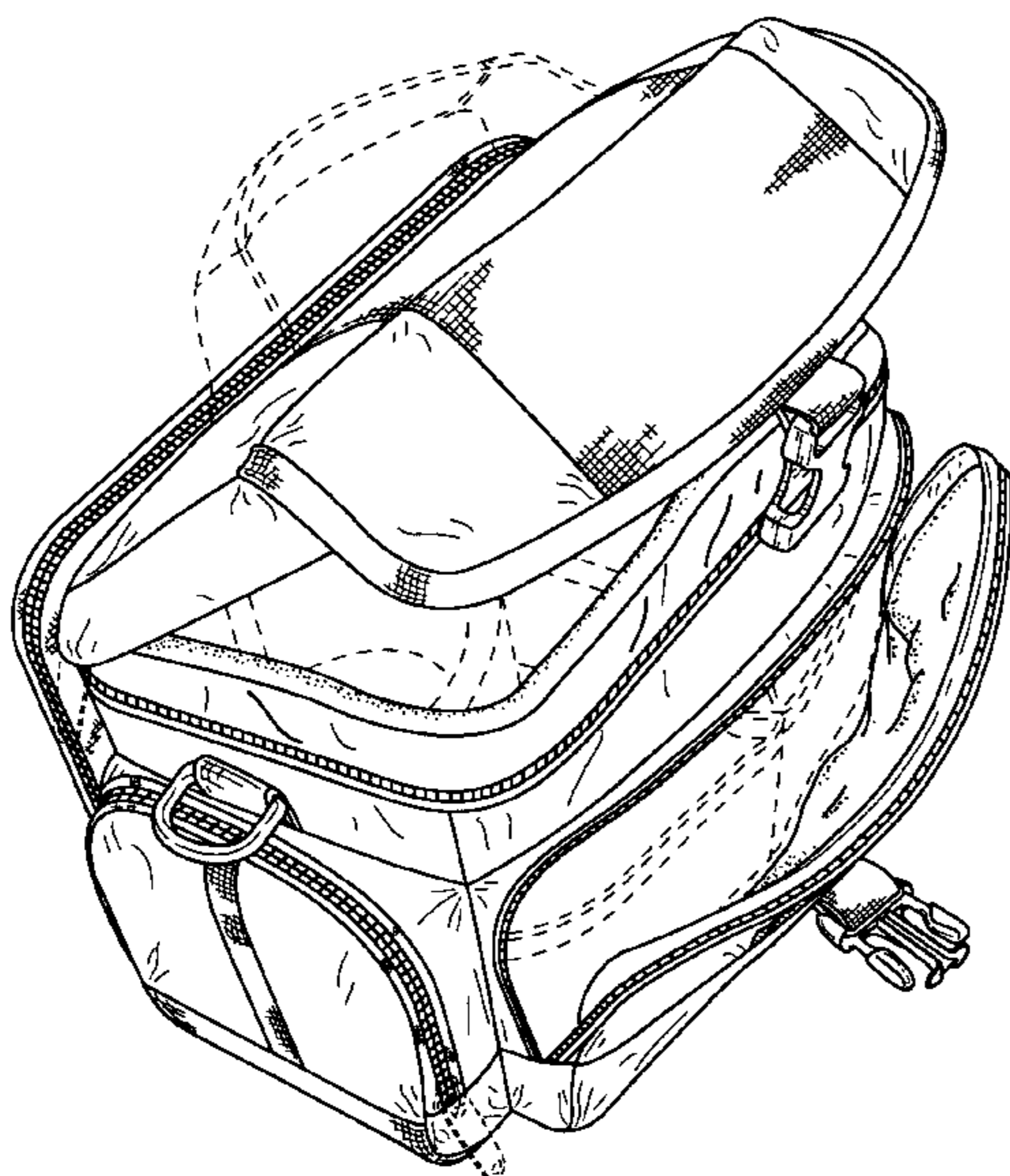
FIG. 4 is a right side elevational view of FIG. 2;

FIG. 5 is a left side elevational view of FIG. 2;

FIG. 6 is a top plan view of FIG. 2; and,

FIG. 7 is a bottom plan view of FIG. 2.

**1 Claim, 4 Drawing Sheets**



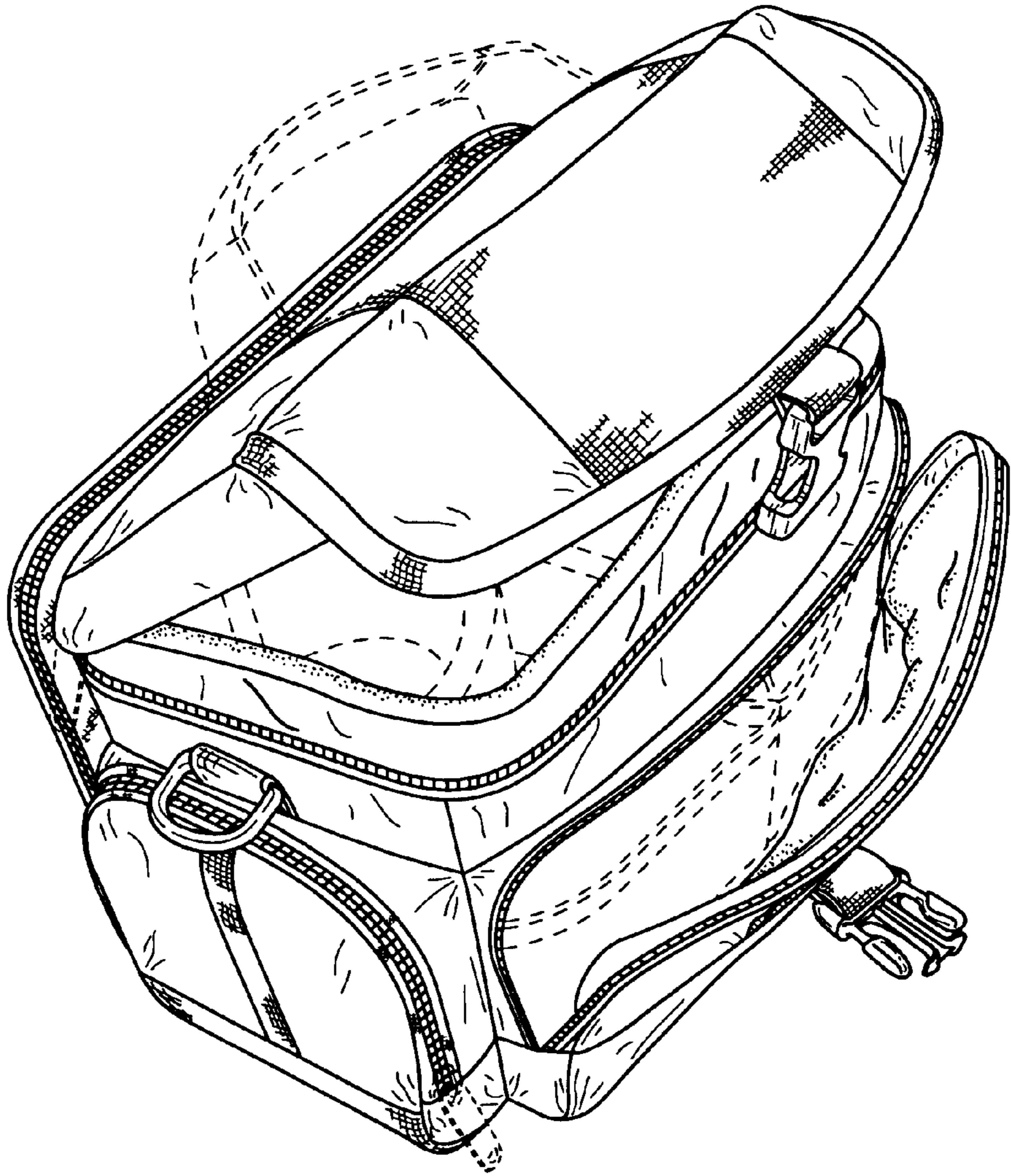


FIG.1

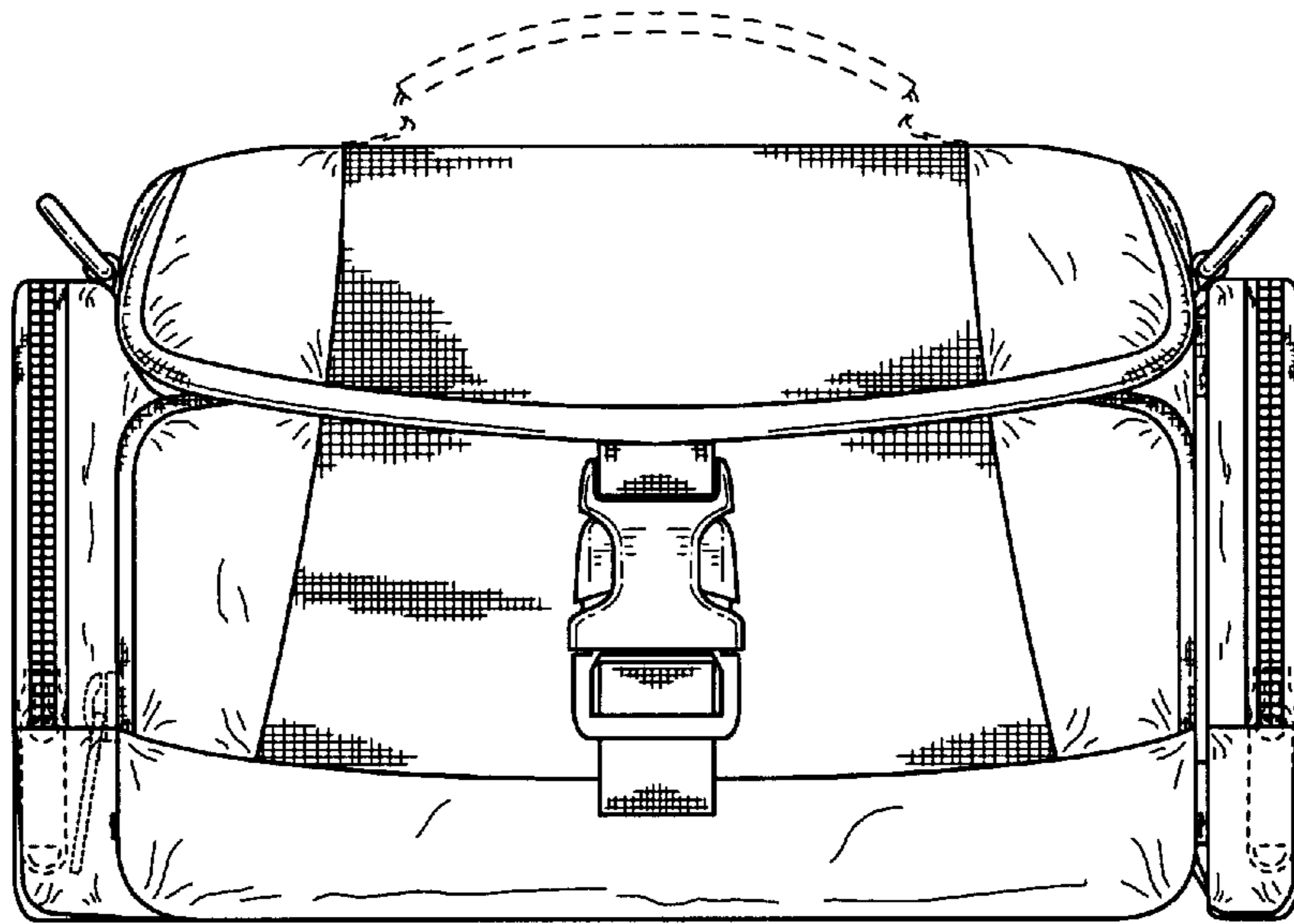


FIG. 2

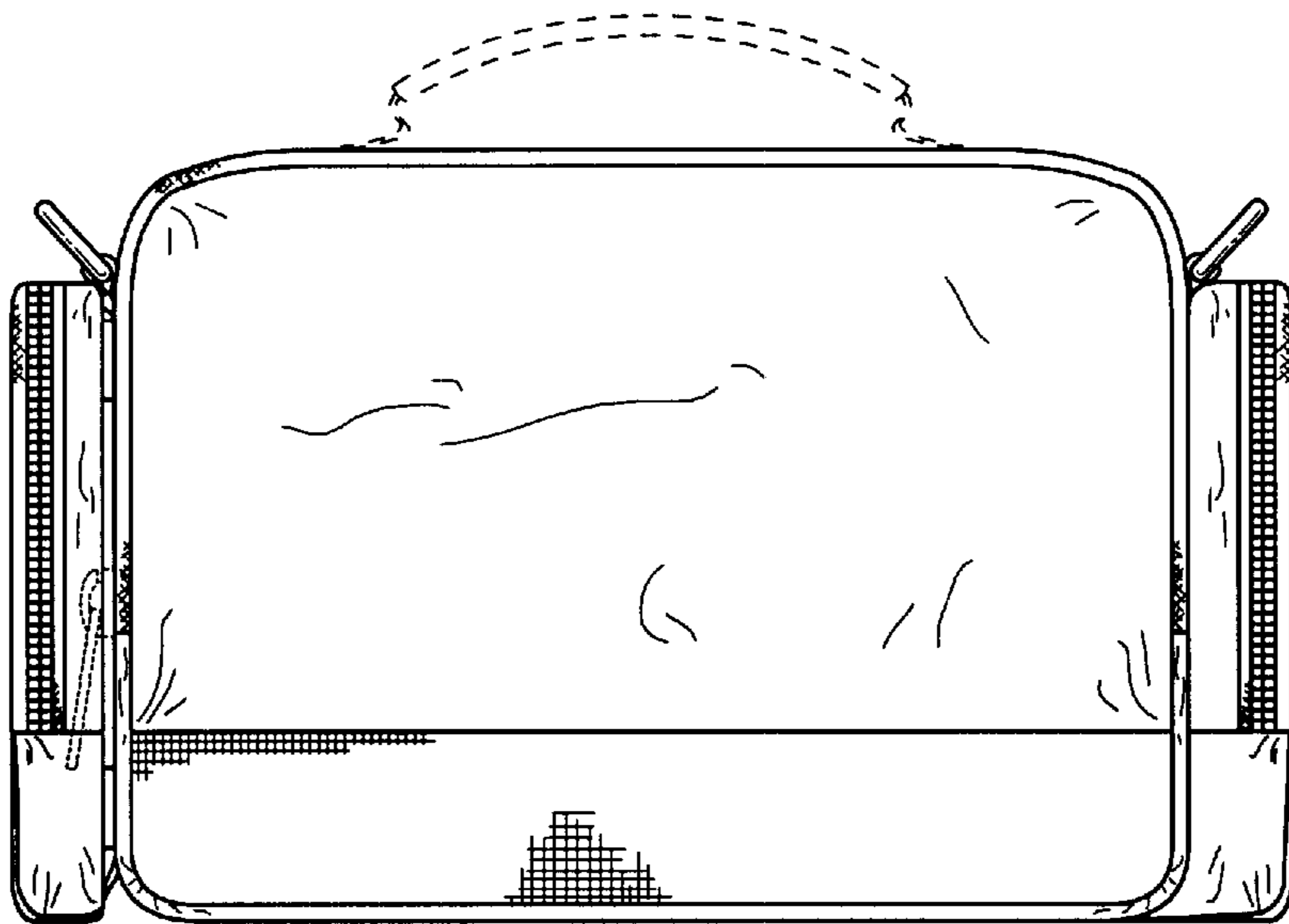


FIG. 3

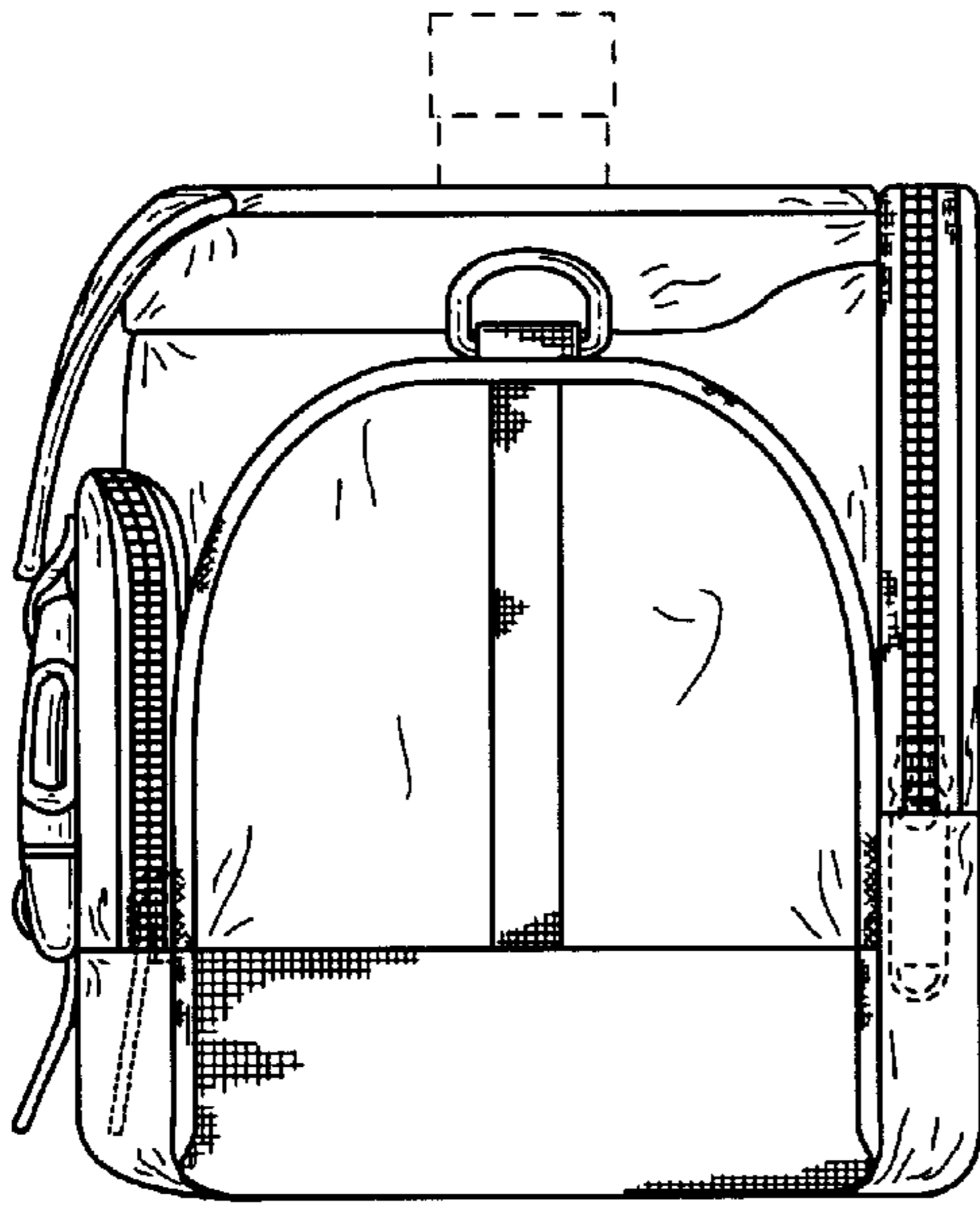


FIG. 4

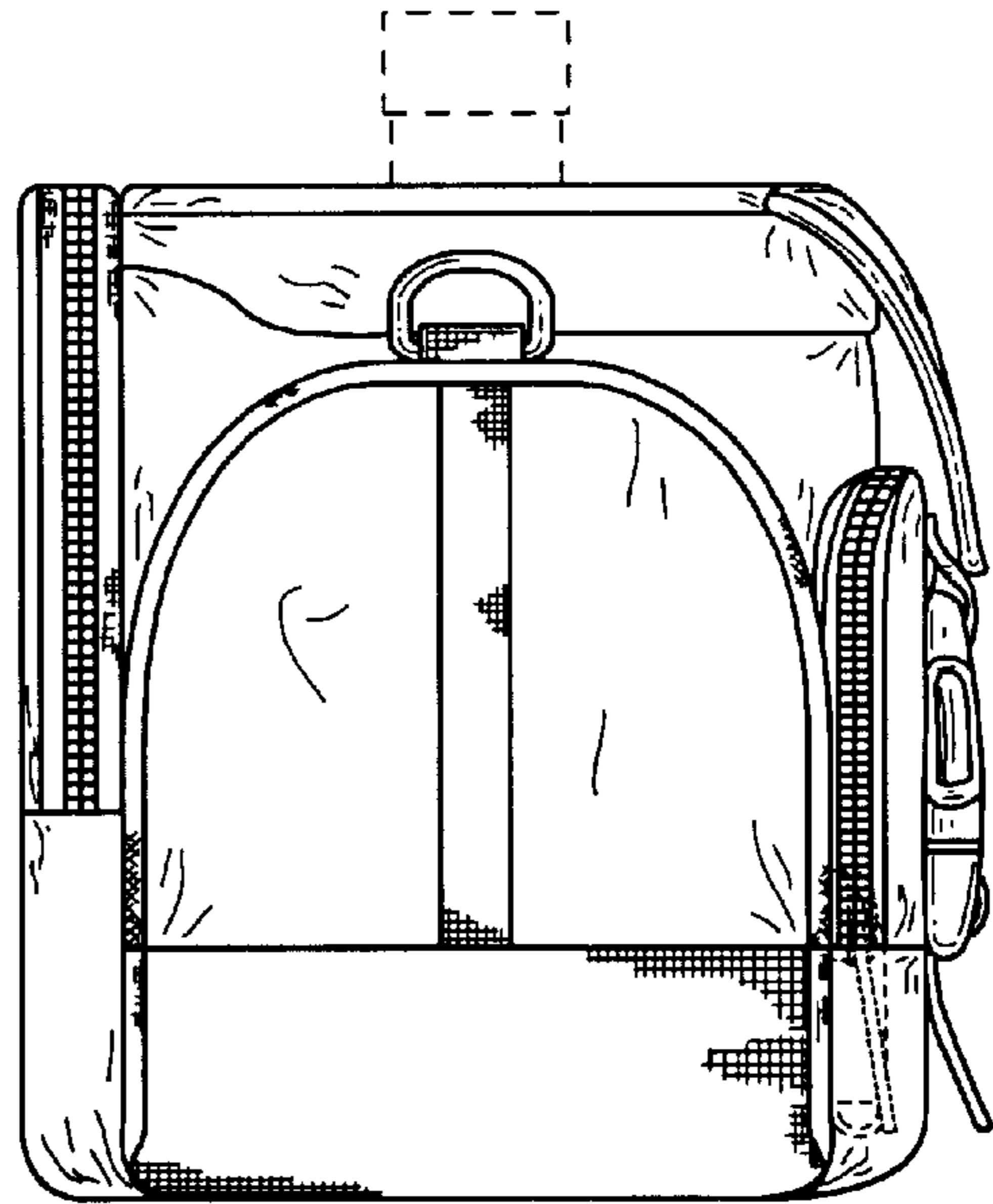


FIG. 5

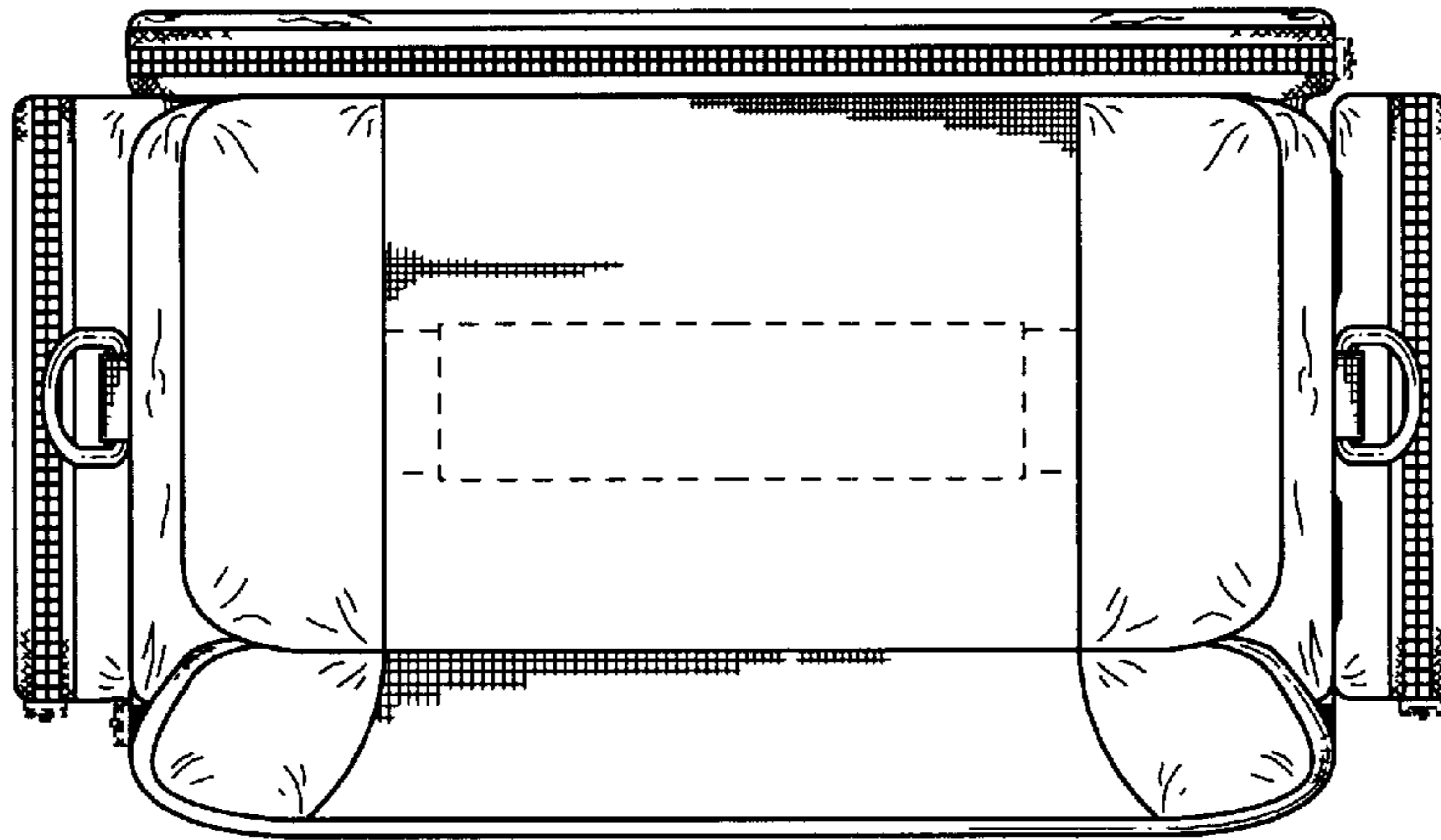


FIG. 6

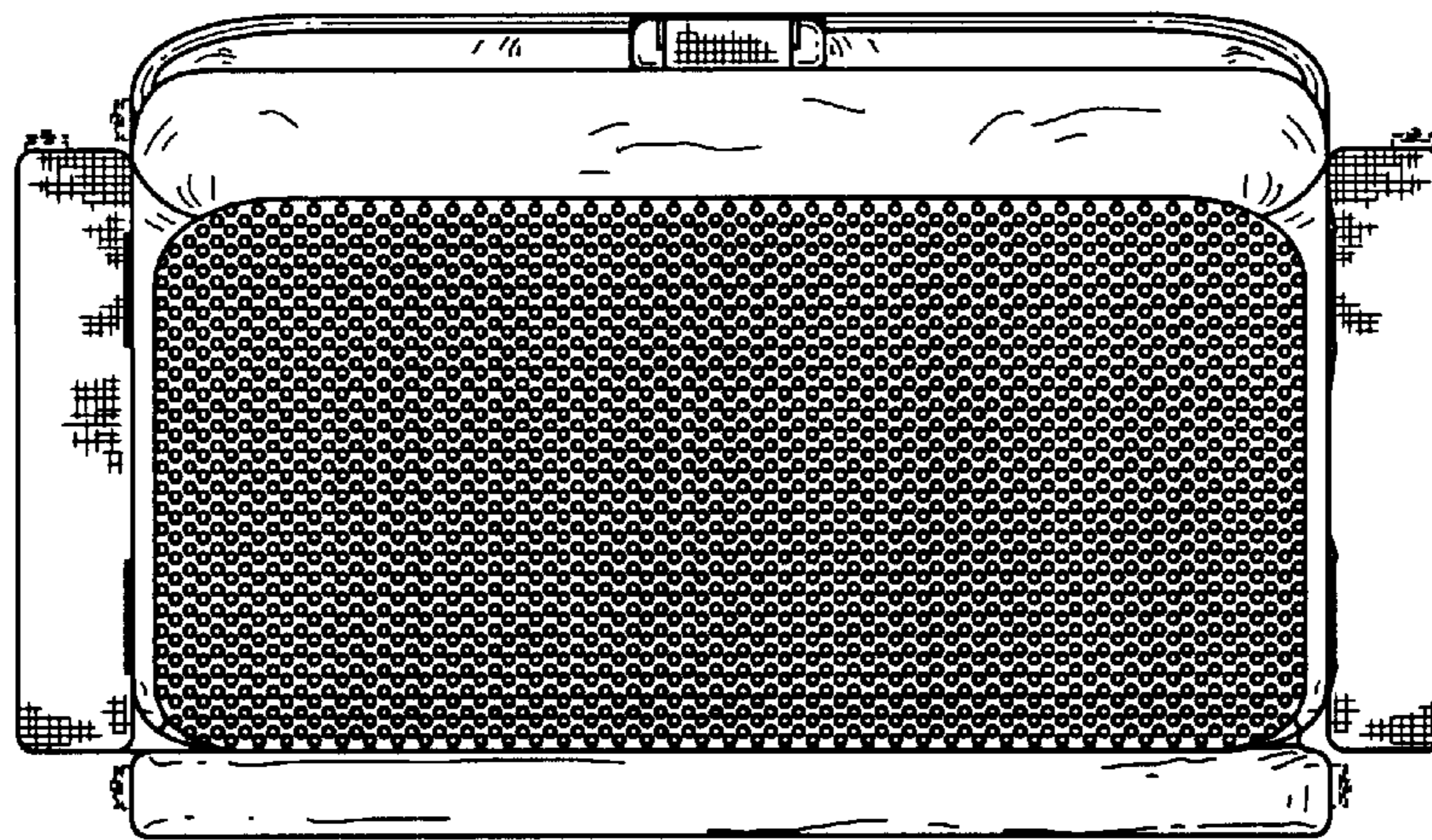


FIG. 7