



US00D482840S

(12) **United States Design Patent**
Magee et al.

(10) **Patent No.:** **US D482,840 S**

(45) **Date of Patent:** **** Nov. 25, 2003**

(54) **AUTOMATED TELLER MACHINE DIVERT CASSETTE**

(56) **References Cited**

U.S. PATENT DOCUMENTS

(75) **Inventors:** **Paul D. Magee**, North Canton, OH (US); **David Barker**, North Canton, OH (US); **Donald S. Nelson**, Canton, OH (US); **Michael J. Maczuzak**, Bratenahl, OH (US); **Erin Q. Riddell**, Bay Village, OH (US); **Robert J. Warner, Jr.**, Akron, OH (US); **Jesse P. Carlson**, Bay Village, OH (US); **Demetrius Romanos**, Cincinnati, OH (US); **Shawn Snyder**, Lawrenceburg, IN (US)

D349,128 S * 7/1994 Akioka et al. D18/46
D374,347 S * 10/1996 Burns et al. D3/282
D376,246 S * 12/1996 Sugawara et al. D99/28
D385,674 S * 10/1997 Sugawara et al. D99/28
D399,632 S * 10/1998 Davis et al. D99/28
6,065,408 A * 5/2000 Tillim et al. 109/25
D439,390 S * 3/2001 Nottingham et al. D99/34

* cited by examiner

Primary Examiner—Paula A. Mortimer

(74) *Attorney, Agent, or Firm*—Ralph E. Jocke; Walker & Jocke

(73) **Assignee:** **Diebold Self Service Systems, division of Diebold Incorporated**, North Canton, OH (US)

(57) **CLAIM**

(**) **Term:** **14 Years**

We claim the ornamental design for automated teller machine divert cassette, as shown.

(21) **Appl. No.:** **29/173,393**

DESCRIPTION

(22) **Filed:** **Dec. 26, 2002**

FIG. 1 is a front right perspective view;

(51) **LOC (7) Cl.** **99-00**

FIG. 2 is a rear left perspective view;

(52) **U.S. Cl.** **D99/28**

FIG. 3 is a front view;

(58) **Field of Search** D99/28, 34, 35,

FIG. 4 is a rear view;

D99/43; D3/282, 283, 284, 286, 288, 294,

FIG. 5 is a right side view;

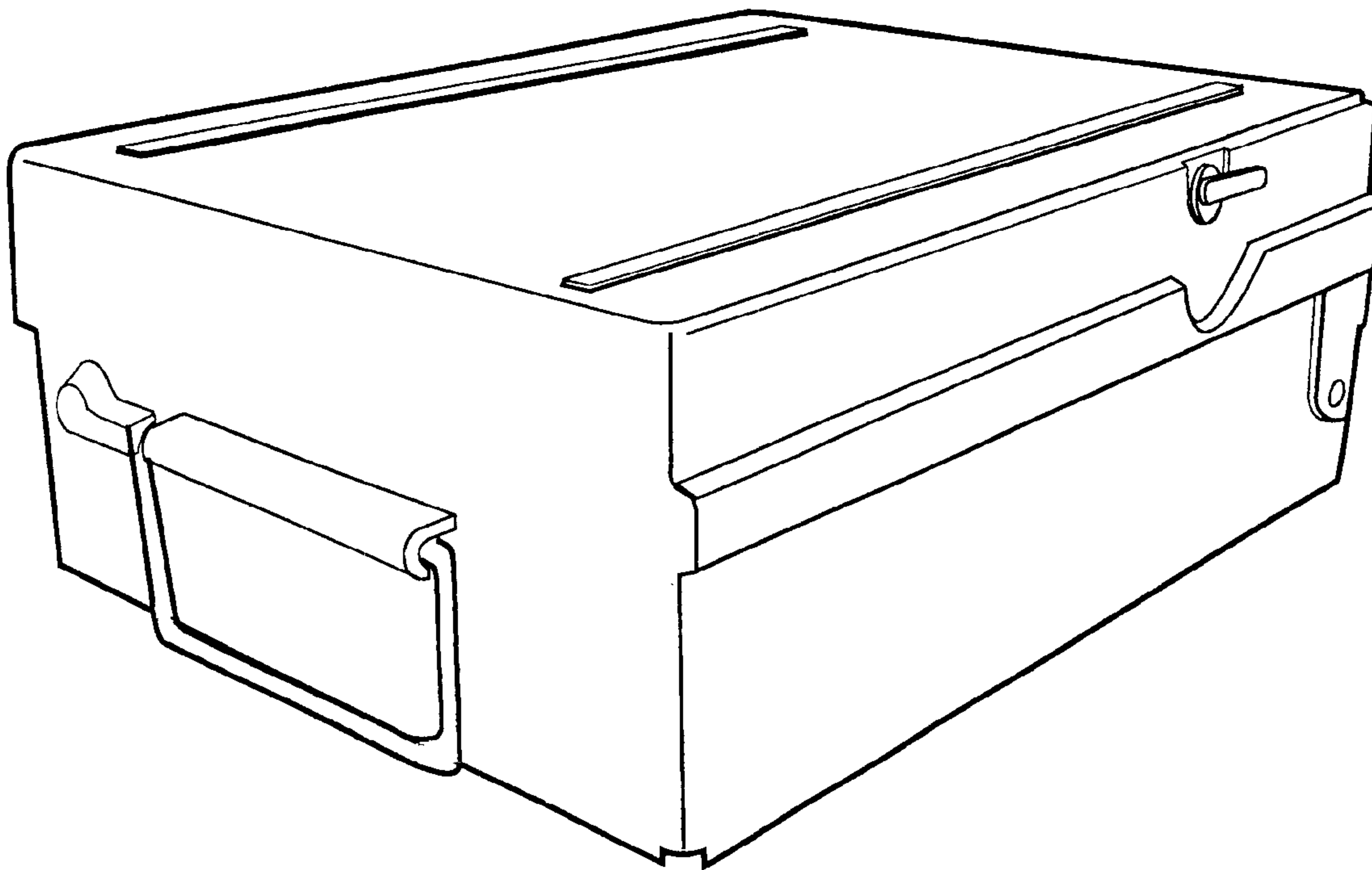
268; 109/25, 29, 38, 45, 50, 53; 70/63,

FIG. 6 is a left side view; and,

65; D18/3, 4, 46, 99

FIG. 7 is a top view.

1 Claim, 4 Drawing Sheets



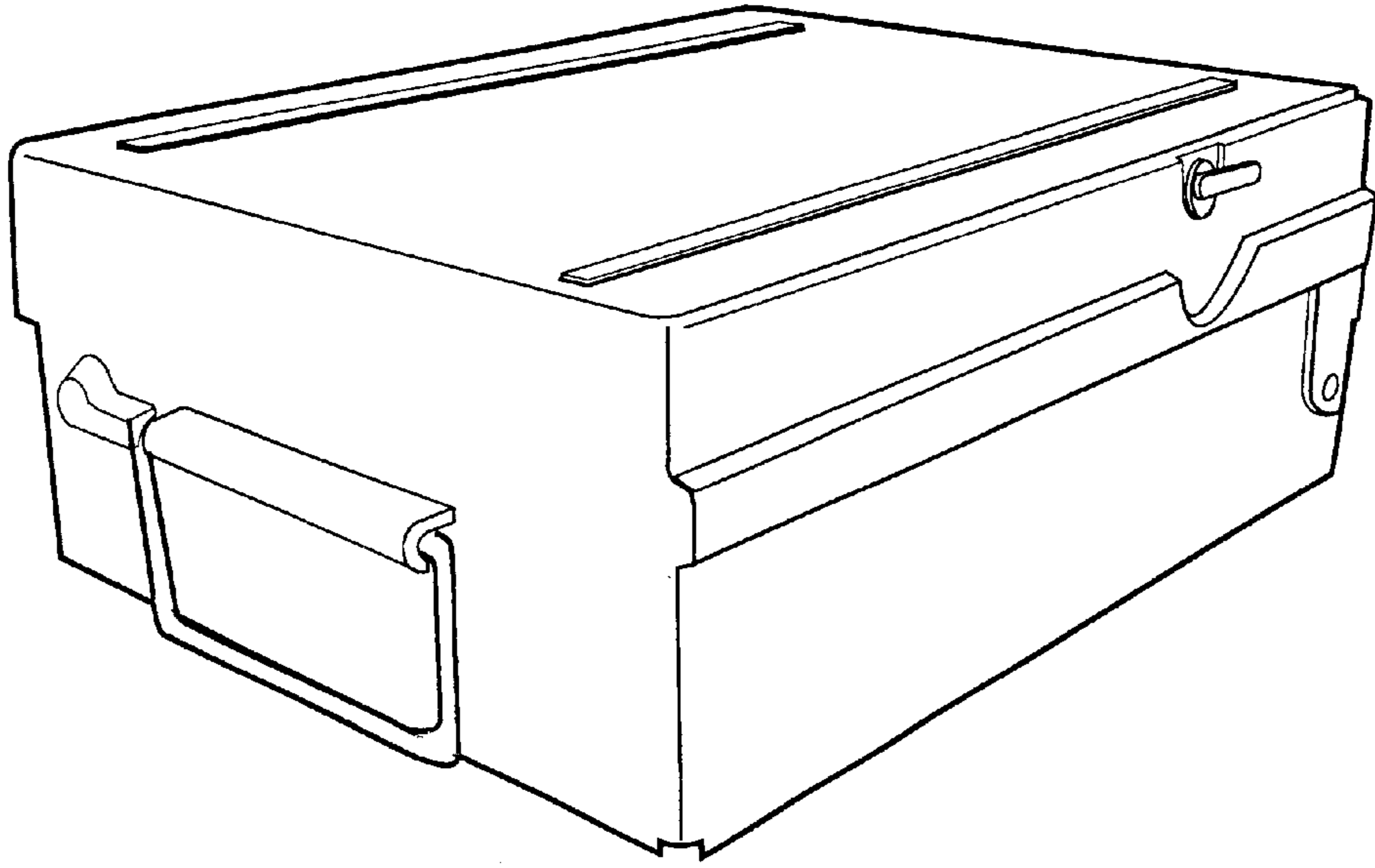


FIG. 1

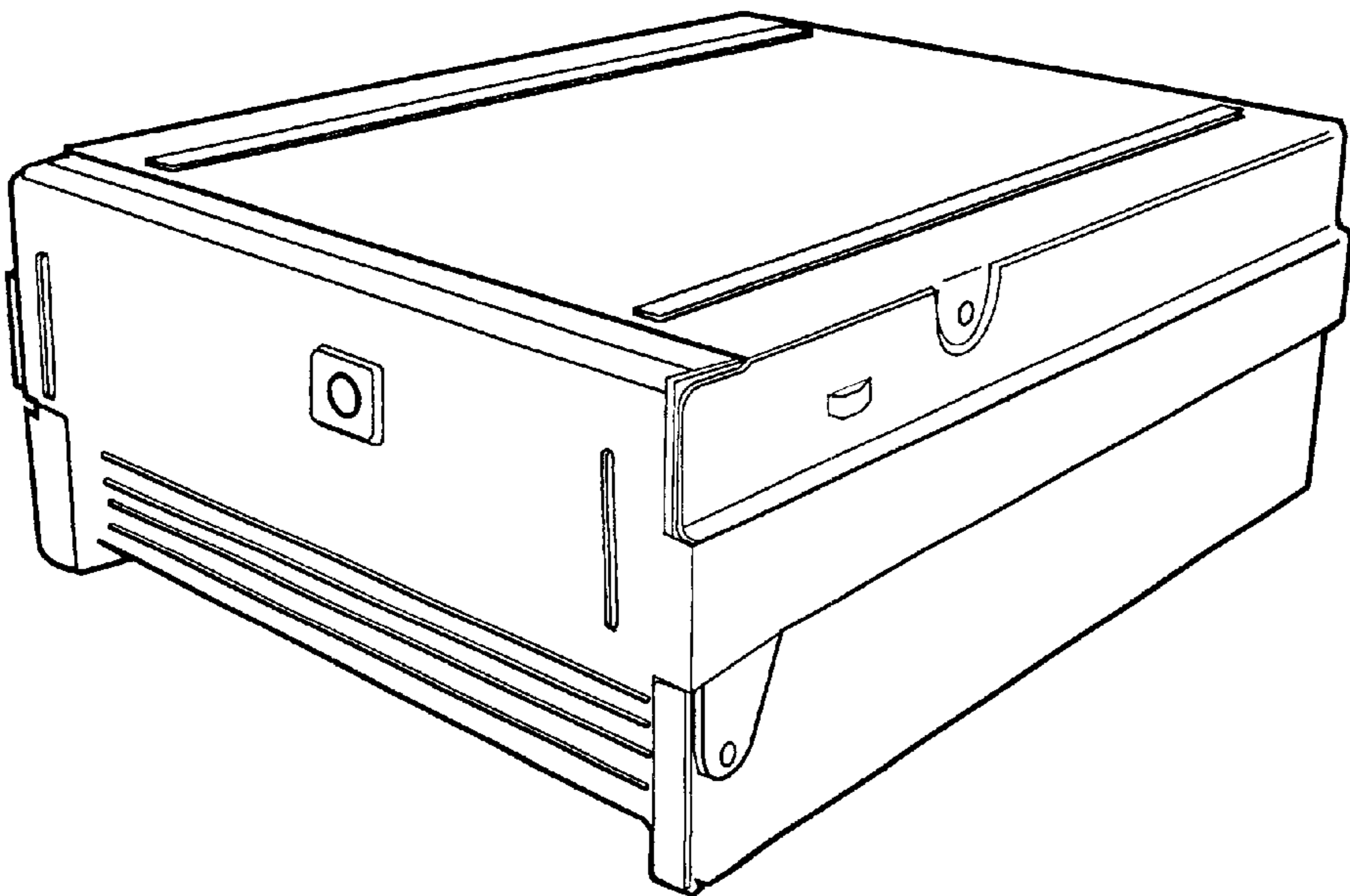


FIG. 2

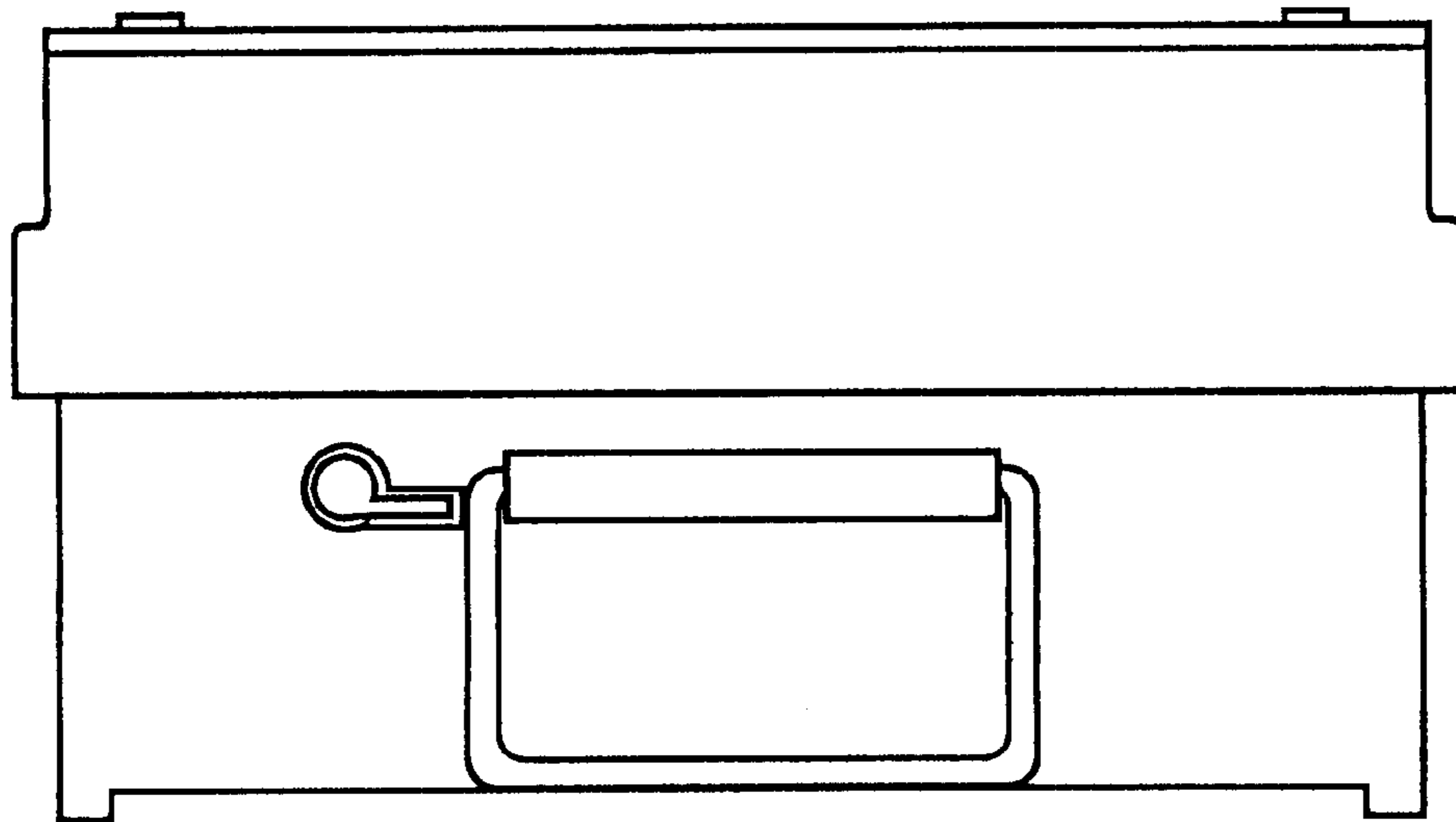


FIG. 3.

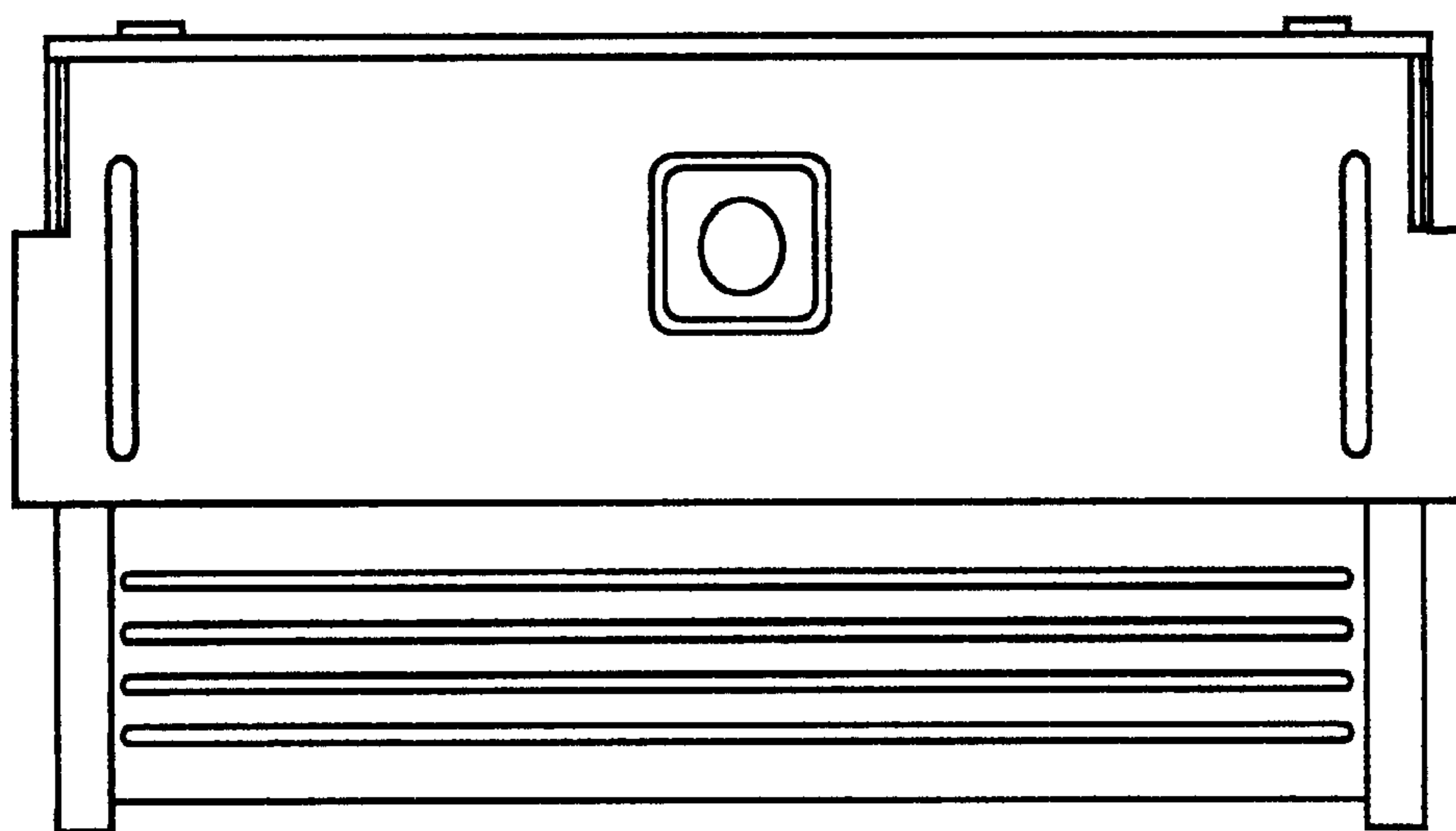


FIG. 4

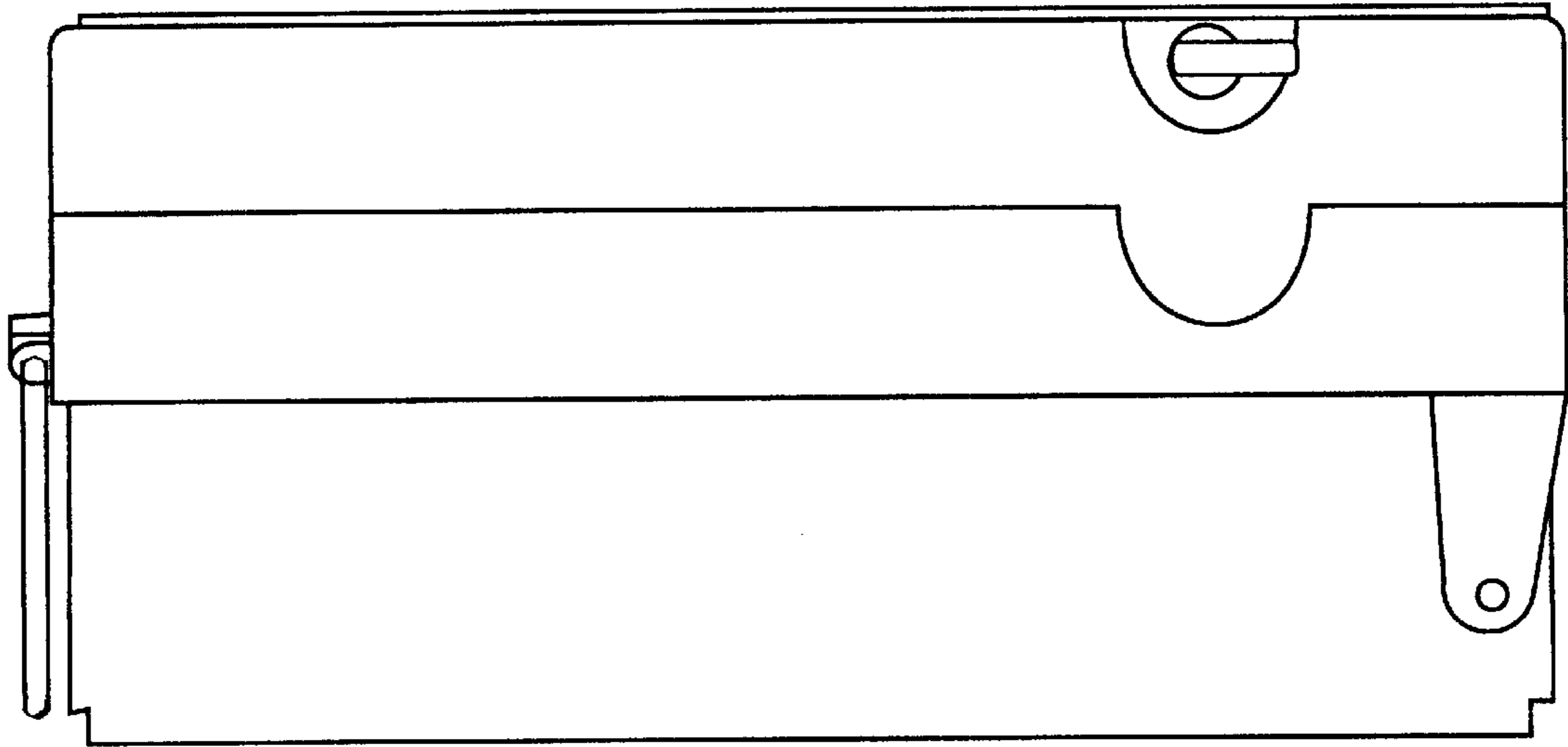


FIG. 5.

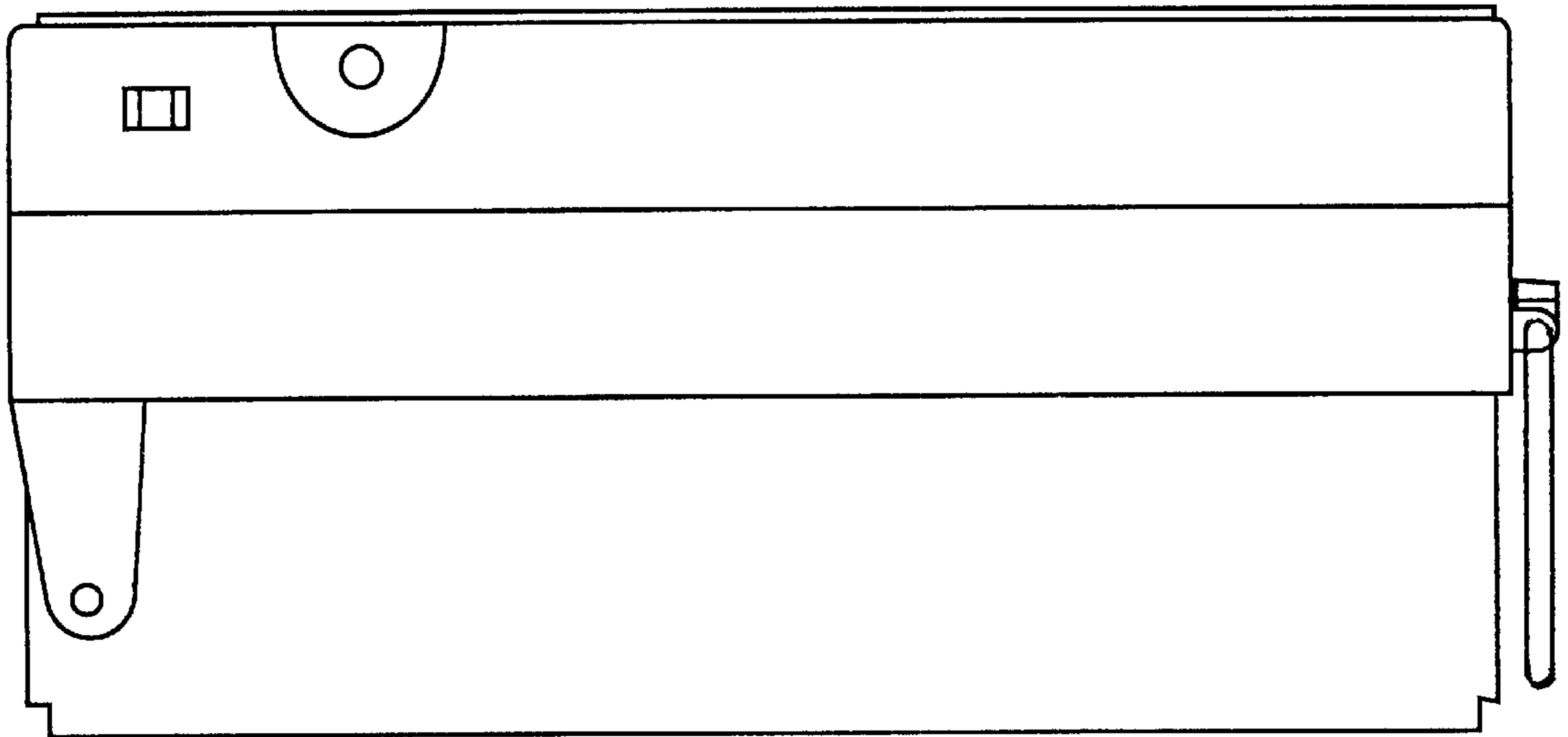


FIG. 6

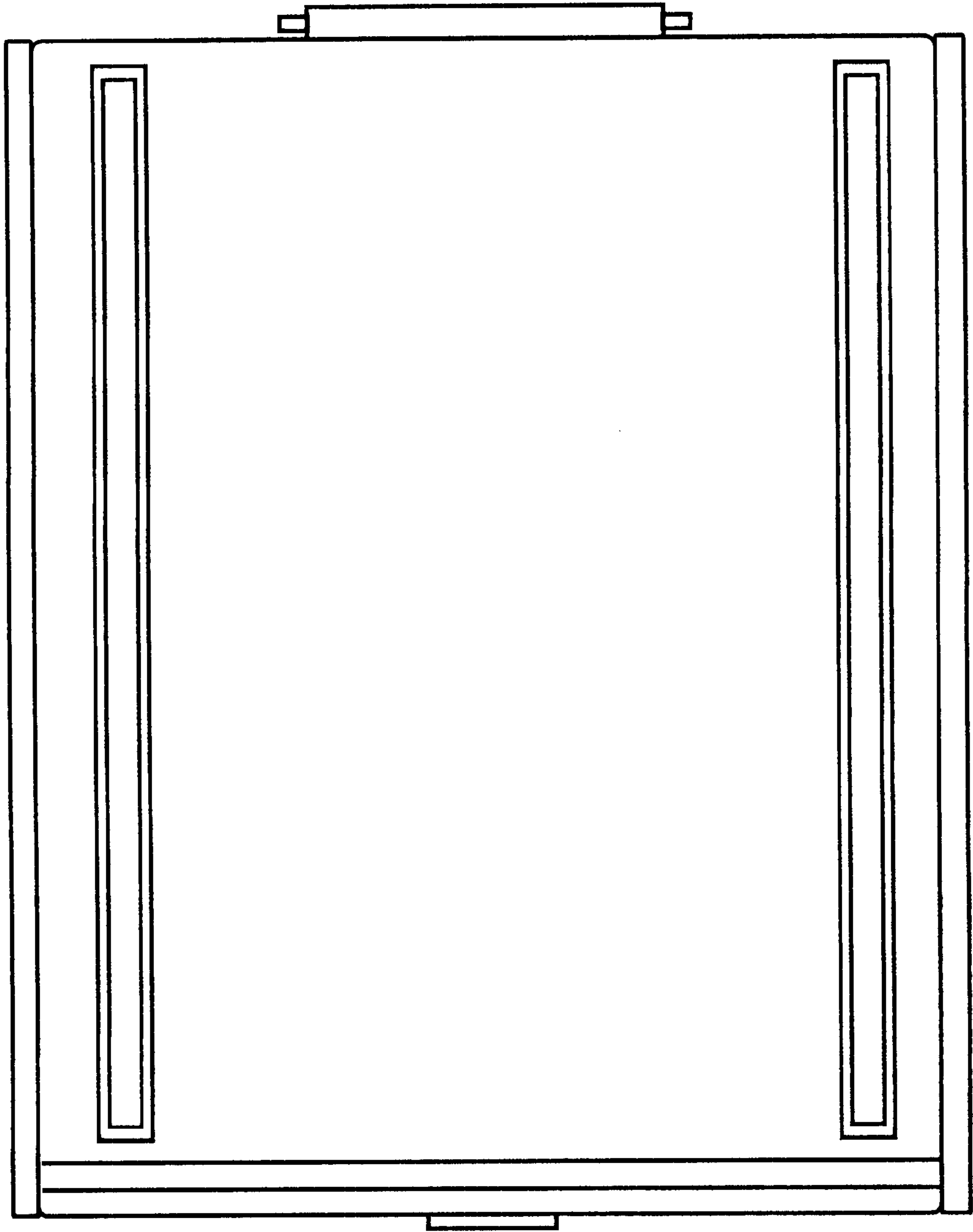


FIG. 7
