



US00D482838S

(12) **United States Design Patent**  
**Tsai**

(10) **Patent No.:** **US D482,838 S**

(45) **Date of Patent:** **\*\* Nov. 25, 2003**

(54) **VEHICULAR JACK**

(75) **Inventor:** **Hsin-I Tsai, El Monte, CA (US)**

(73) **Assignee:** **Big Roc Tools, Inc., Azusa, CA (US)**

(\*\*) **Term:** **14 Years**

(21) **Appl. No.:** **29/170,417**

(22) **Filed:** **Nov. 7, 2002**

(51) **LOC (7) Cl.** ..... **12-05**

(52) **U.S. Cl.** ..... **D34/31**

(58) **Field of Search** ..... **D34/31, 28; 254/8 B, 254/9 B, 93 H, 84.11, DIG. 3, 2 B**

D364,026 S	*	11/1995	Hung	.....	D34/31
5,551,668 A	*	9/1996	Hung	.....	254/8 B
D388,926 S	*	1/1998	Sorensen	.....	D34/31
D398,730 S	*	9/1998	Lin	.....	D34/31
D421,516 S	*	3/2000	Hung	.....	D34/31
D423,750 S	*	4/2000	Hung	.....	D34/31
D442,345 S	*	5/2001	Lee et al.	.....	D34/31
D444,606 S	*	7/2001	Hsu	.....	D34/31
6,264,169 B1	*	7/2001	Hung	.....	254/8 B
D452,597 S	*	12/2001	Hung	.....	D34/31
D453,983 S	*	2/2002	Lin	.....	D34/31
D454,419 S	*	3/2002	Lee et al.	.....	D34/31
6,357,724 B1	*	3/2002	Hung	.....	254/8 B
6,375,160 B1	*	4/2002	Hung	.....	254/8 B
6,505,816 B1	*	1/2003	Hung	.....	254/8 B

\* cited by examiner

(56) **References Cited**

**U.S. PATENT DOCUMENTS**

4,018,421 A	*	4/1977	Tallman	.....	254/8 B
4,131,263 A	*	12/1978	John	.....	254/8 B
D253,696 S	*	12/1979	Suzuki	.....	D34/31
4,241,899 A	*	12/1980	Kaneko	.....	254/8 B
4,277,048 A	*	7/1981	Okuda	.....	254/8 B
D272,670 S	*	2/1984	Tsujimura	.....	D34/31
D284,417 S	*	6/1986	Yamagishi	.....	D34/31
D285,138 S	*	8/1986	Yamagishi	.....	D34/31
D296,598 S	*	7/1988	Hung	.....	D34/31
4,765,593 A	*	8/1988	Hung	.....	254/8 B
4,964,617 A	*	10/1990	Lawrence	.....	254/8 B
5,201,494 A	*	4/1993	Lundman	.....	254/8 B
5,221,073 A	*	6/1993	Shockley	.....	254/8 B
D358,923 S	*	5/1995	Hawkins	.....	D34/31
5,431,369 A	*	7/1995	Hung	.....	254/8 B

*Primary Examiner*—Cynthia E. Ramirez

(74) *Attorney, Agent, or Firm*—Milde & Hoffberg LLP

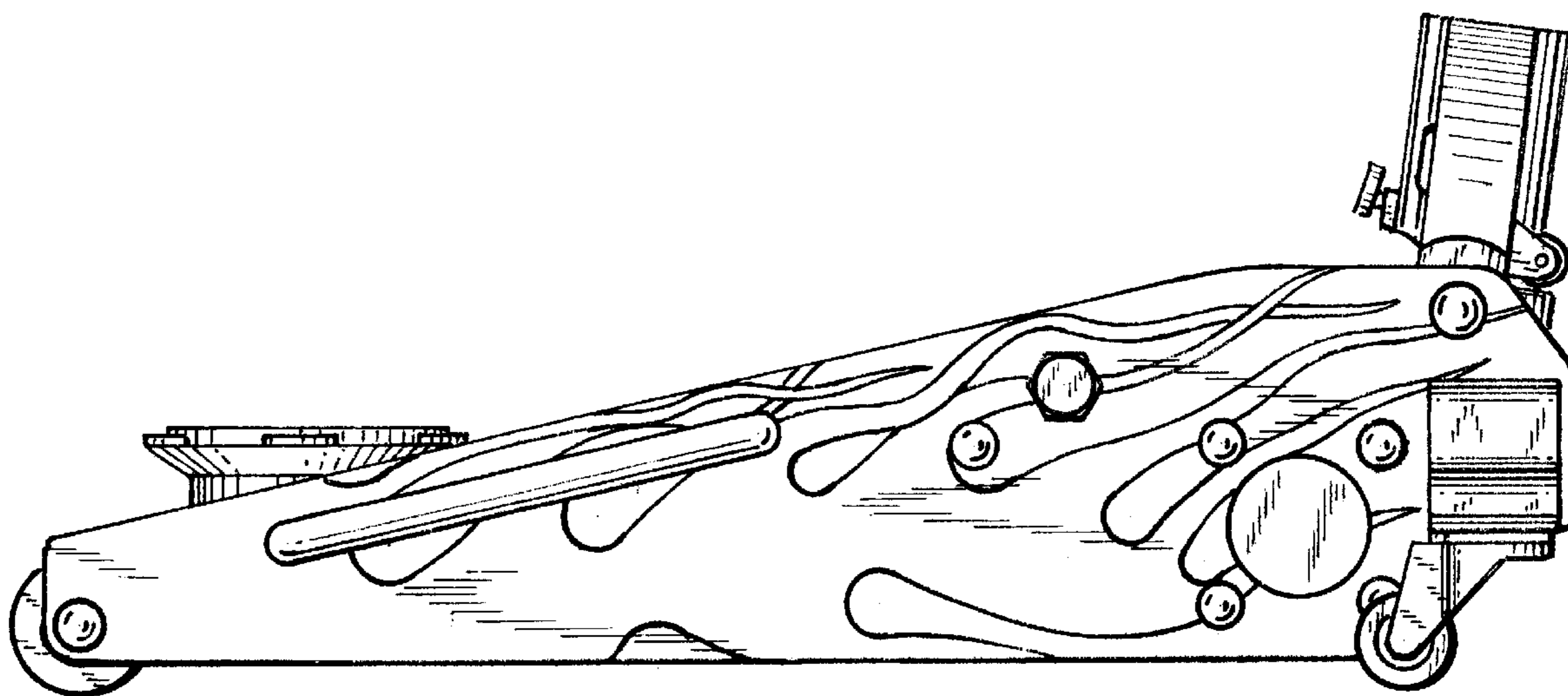
(57) **CLAIM**

The ornamental design for a vehicular jack, as shown and described.

**DESCRIPTION**

FIG. 1 is a right side view of a vehicular jack showing our new design;  
FIG. 2 is a top view of the embodiment of FIG. 1.  
FIG. 3 is a left side view of the embodiment of FIG. 1.  
FIG. 4 is a bottom view of the embodiment of FIG. 1.  
FIG. 5 is a front view of the embodiment of FIG. 1; and,  
FIG. 6 is a rear view of the embodiment of FIG. 1.

**1 Claim, 5 Drawing Sheets**



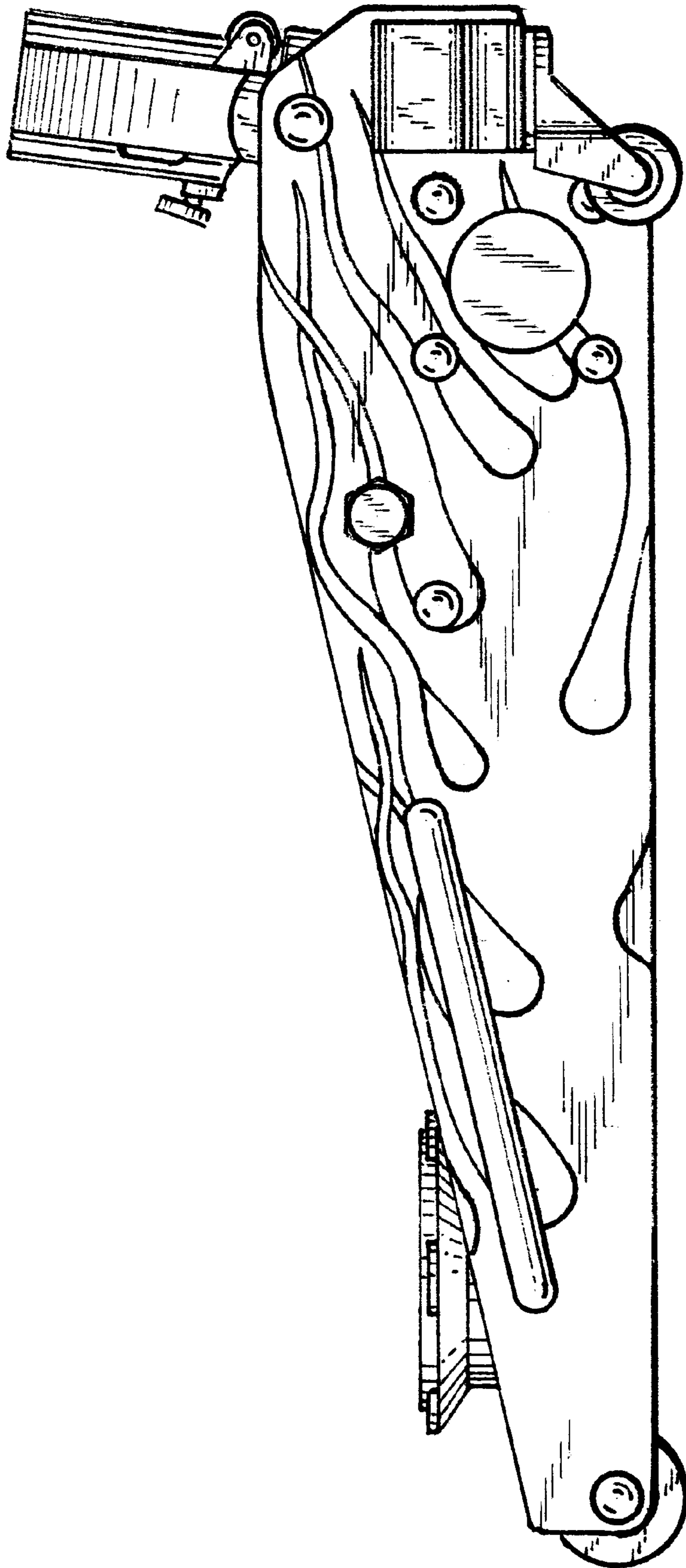


FIG.1

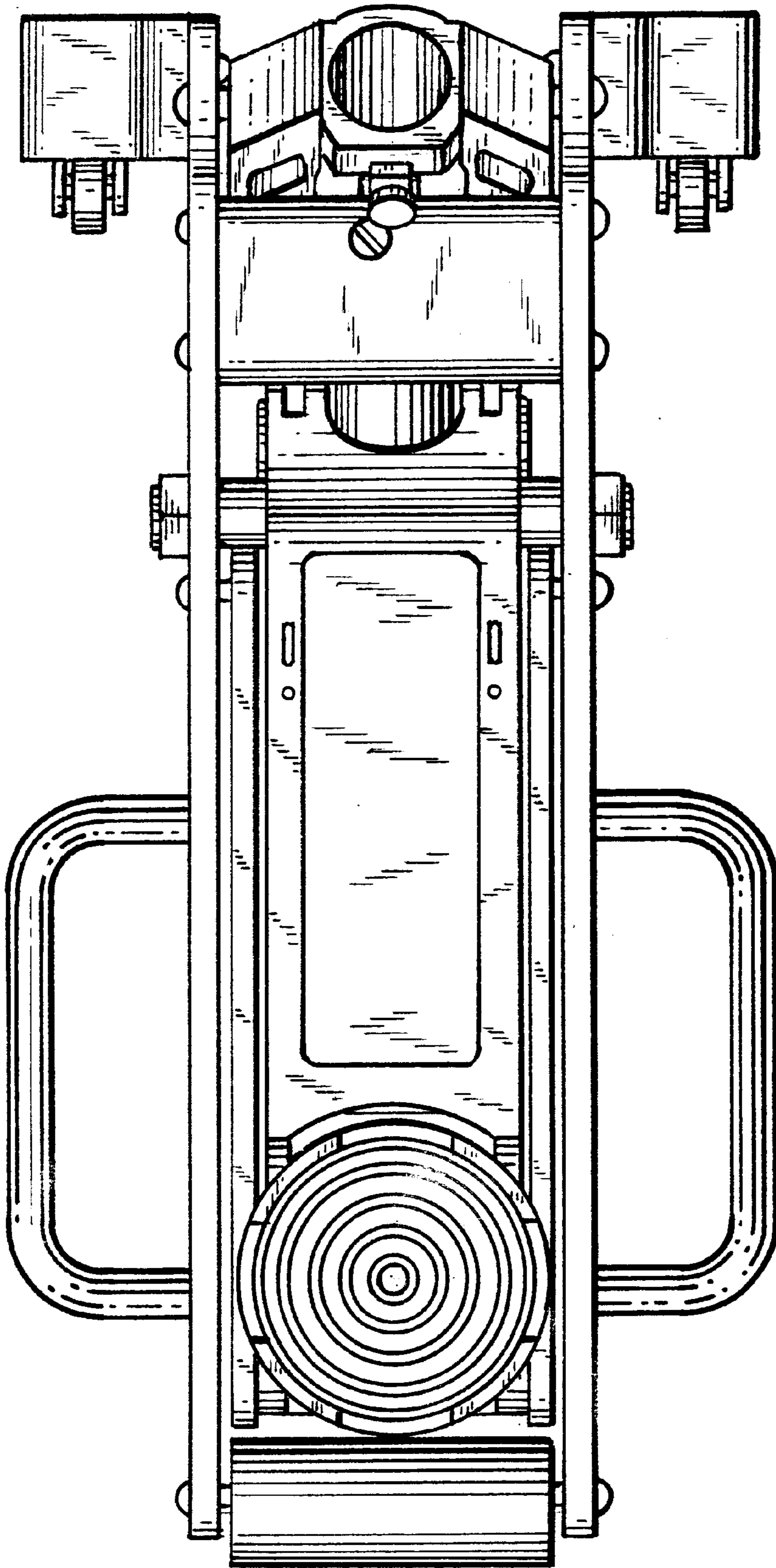


FIG.2



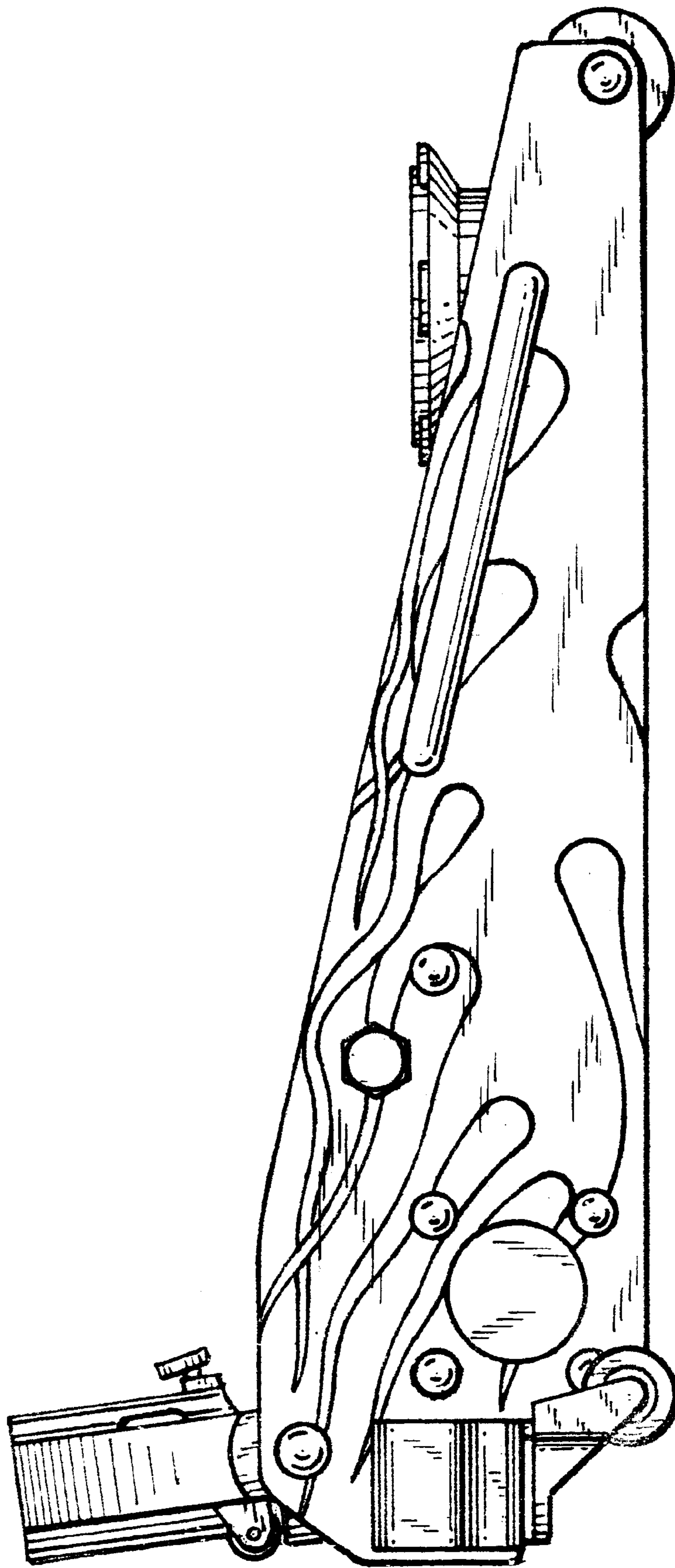


FIG.3

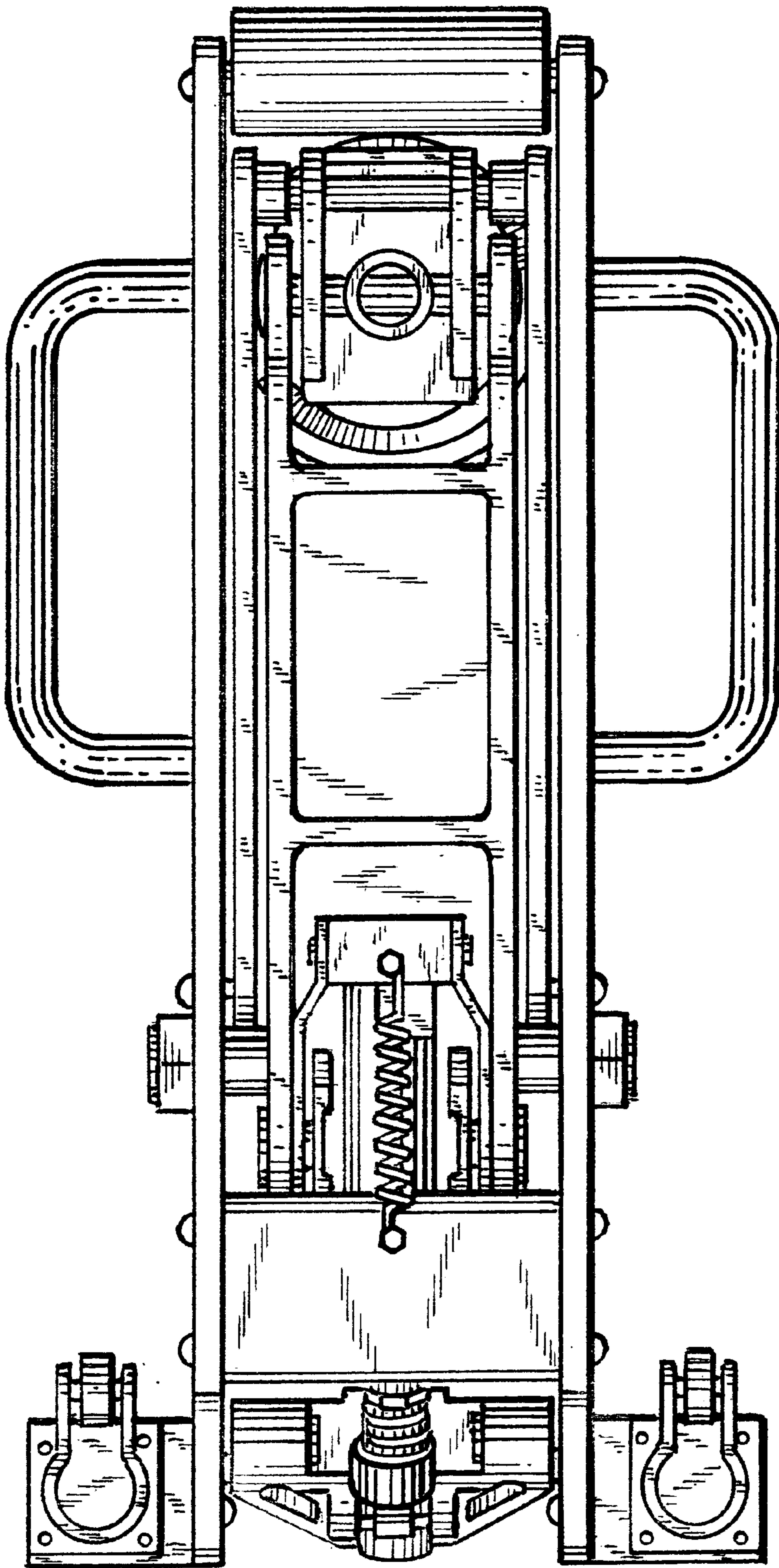


FIG.4

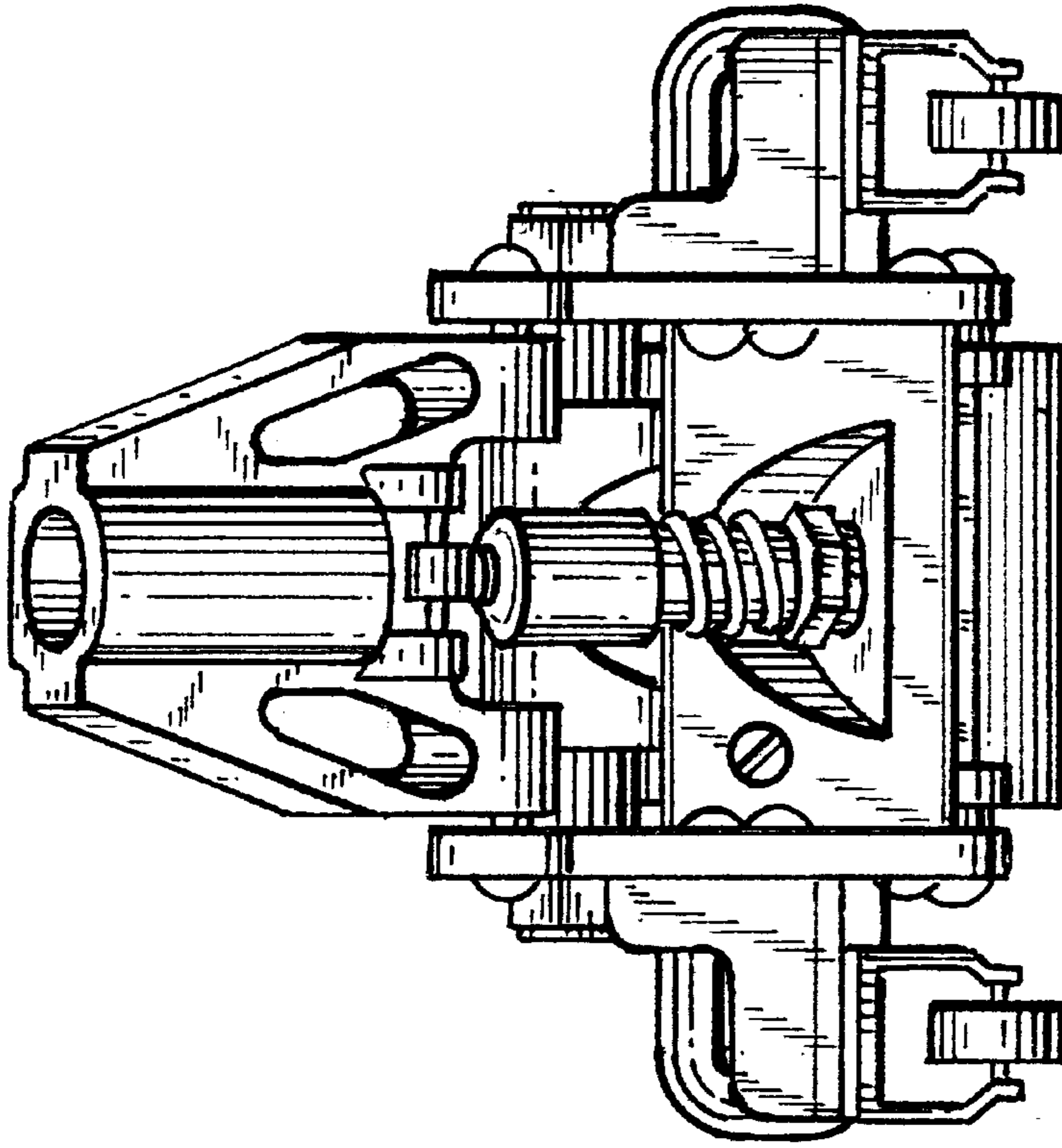


FIG. 6

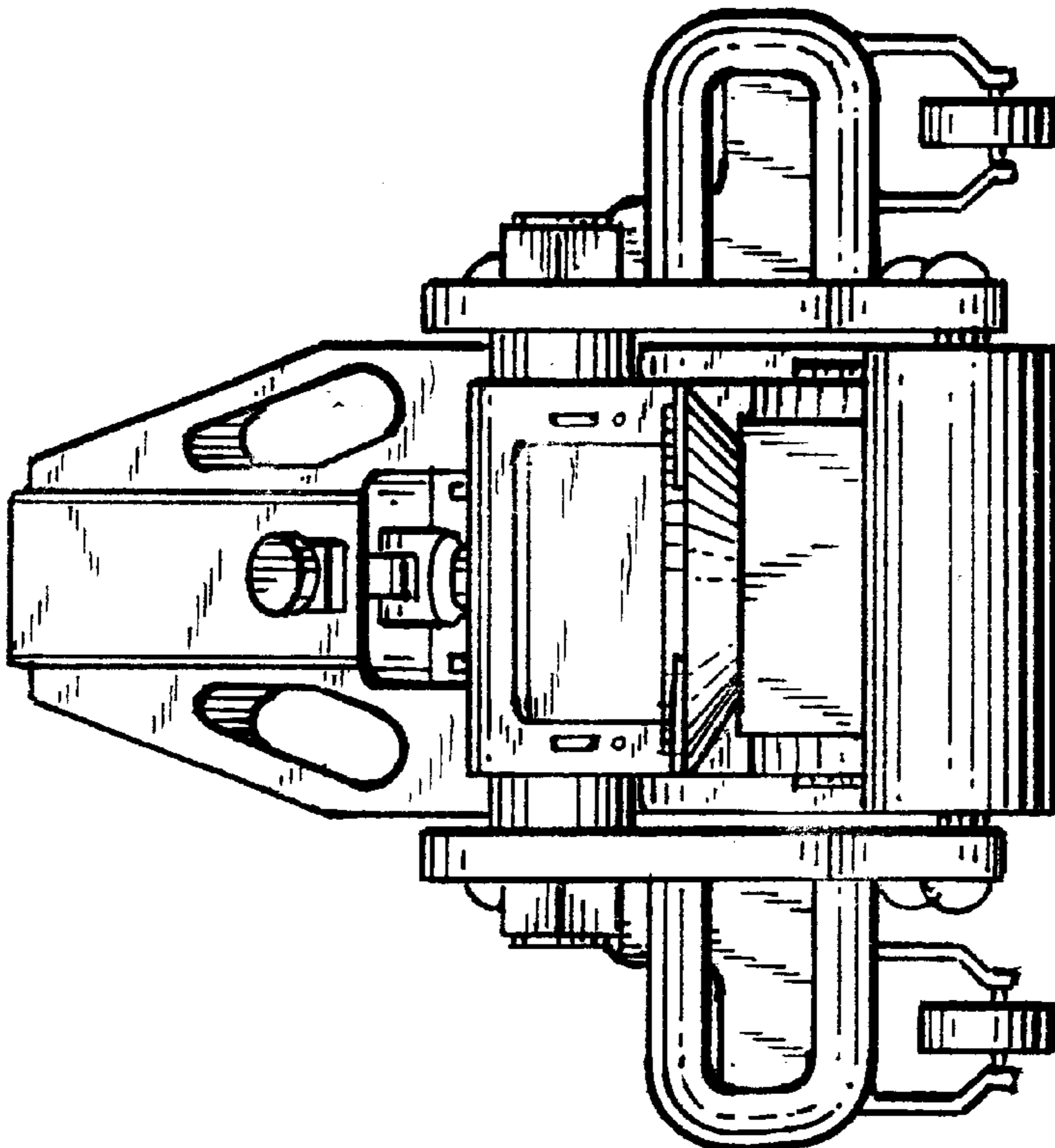


FIG. 5