



US00D482837S

(12) **United States Design Patent**
Westbrook

(10) **Patent No.:** **US D482,837 S**

(45) **Date of Patent:** **** Nov. 25, 2003**

(54) **HARNES FOR HANDLING A MATTRESS
AND OTHER BULKY ITEMS**

(76) **Inventor:** **Wendi R. Westbrook**, 18401 Burbank
Blvd., Suite 202, Tarzana, CA (US)
91356

(**) **Term:** **14 Years**

(21) **Appl. No.:** **29/167,727**

(22) **Filed:** **Sep. 20, 2002**

(51) **LOC (7) Cl.** **12-05**

(52) **U.S. Cl.** **D34/28**

(58) **Field of Search** D34/28; 5/510;
294/74, 77, 76, 68.3, 156, 149, 68.1

(56) **References Cited**

U.S. PATENT DOCUMENTS

2,431,780	A	*	12/1947	Theal	224/157
D203,208	S	*	12/1965	Hillman	D34/28
3,592,502	A	*	7/1971	Bolliger	294/74
4,025,100	A	*	5/1977	Bridgehouse	294/74
4,052,095	A	*	10/1977	Johnson	294/74
4,119,250	A	*	10/1978	Brutlag	294/149
4,235,355	A	*	11/1980	Henry et al.	294/153
4,521,045	A	*	6/1985	Hart	294/149
4,553,780	A	*	11/1985	Strachan	294/152
4,856,836	A	*	8/1989	Delphin	294/74
D323,730	S	*	2/1992	Burney	D34/28

5,427,291	A	*	6/1995	Smith	224/250
D362,327	S	*	9/1995	Nelson	D34/28
5,688,011	A	*	11/1997	Gulley	294/74
5,863,056	A	*	1/1999	Hostetter	280/47.371
6,085,370	A	*	7/2000	Lobascio	5/510
D430,376	S	*	8/2000	Bouchard et al.	D34/28
6,331,024	B1	*	12/2001	Gulley	294/74

* cited by examiner

Primary Examiner—Cynthia E. Ramirez

(74) *Attorney, Agent, or Firm*—Allan M. Shapiro

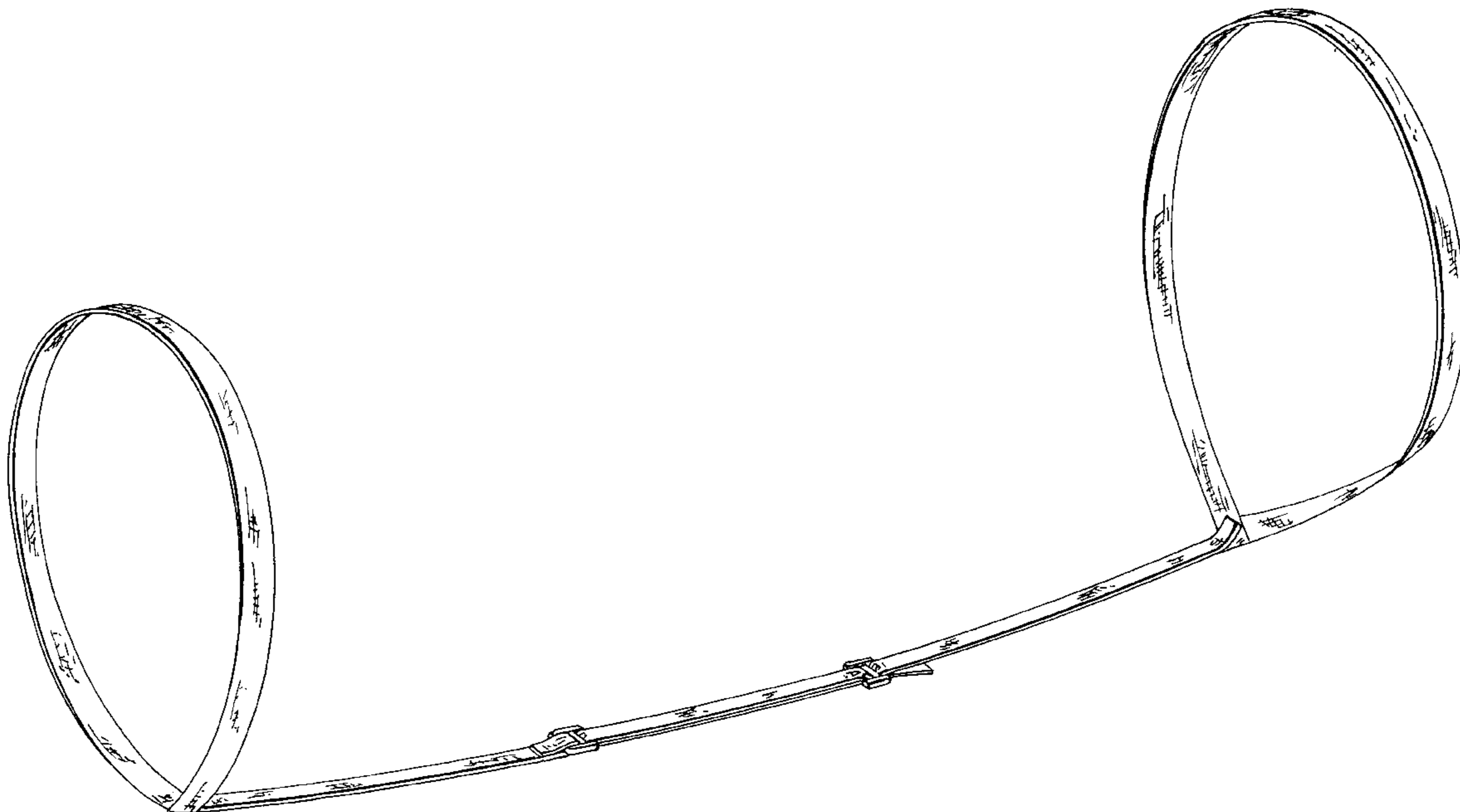
(57) **CLAIM**

The ornamental design for a harness for handling a mattress and other bulky items, as shown and described.

DESCRIPTION

FIG. 1 is a perspective view of a harness for handling a mattress and other bulky items, showing my new design; FIG. 2 is a reduced scale perspective view of the opposite end portions thereof; FIG. 3 is an enlarged fragmentary top perspective view of the central portion thereof; and, FIG. 4 is an enlarged fragmentary bottom perspective view of the central portion thereof. The broken line showing of a mattress in FIG. 2 is for illustrative purposes only and forms no part of the claimed design.

1 Claim, 2 Drawing Sheets



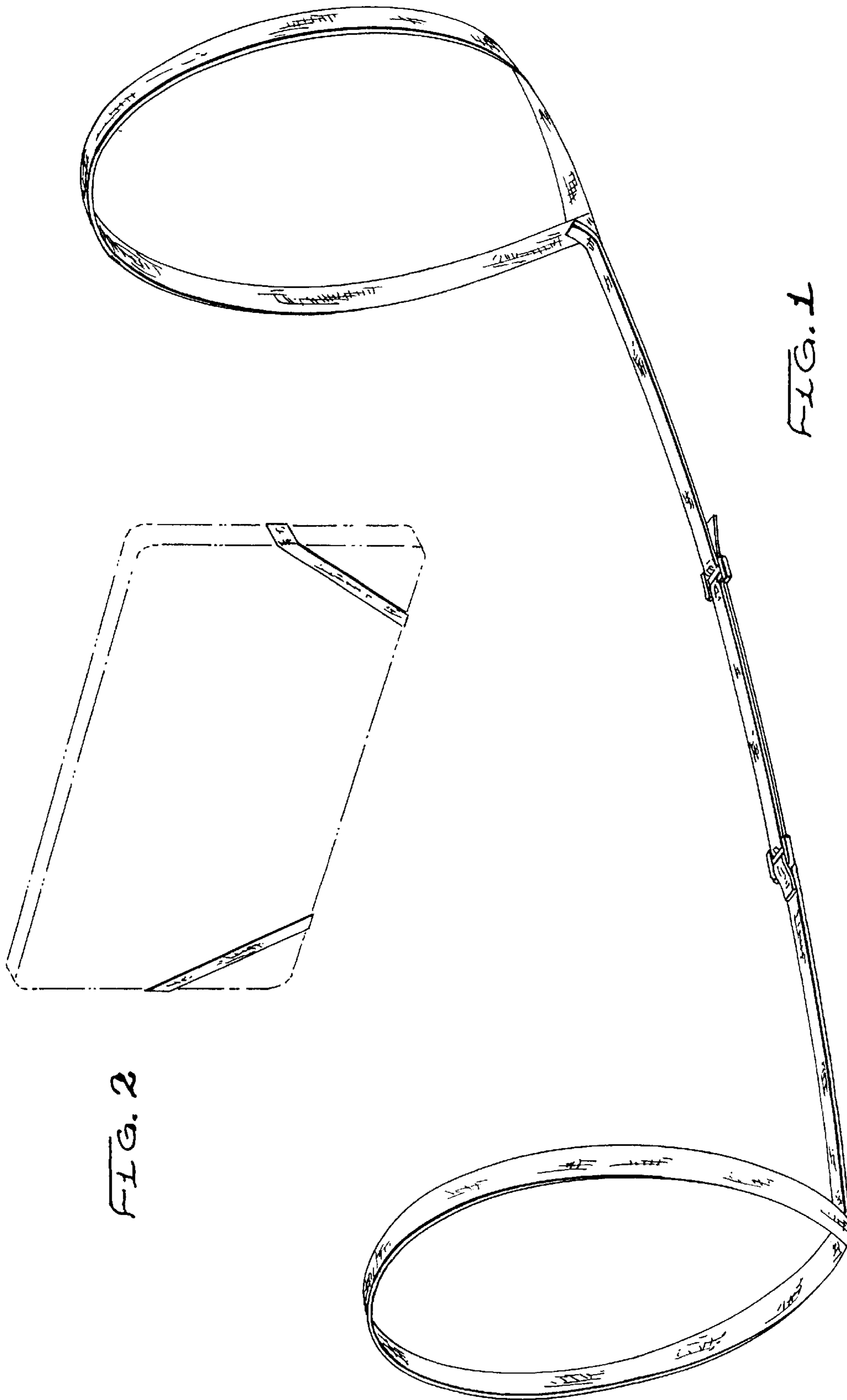


FIG. 2

FIG. 1

FIG. 3

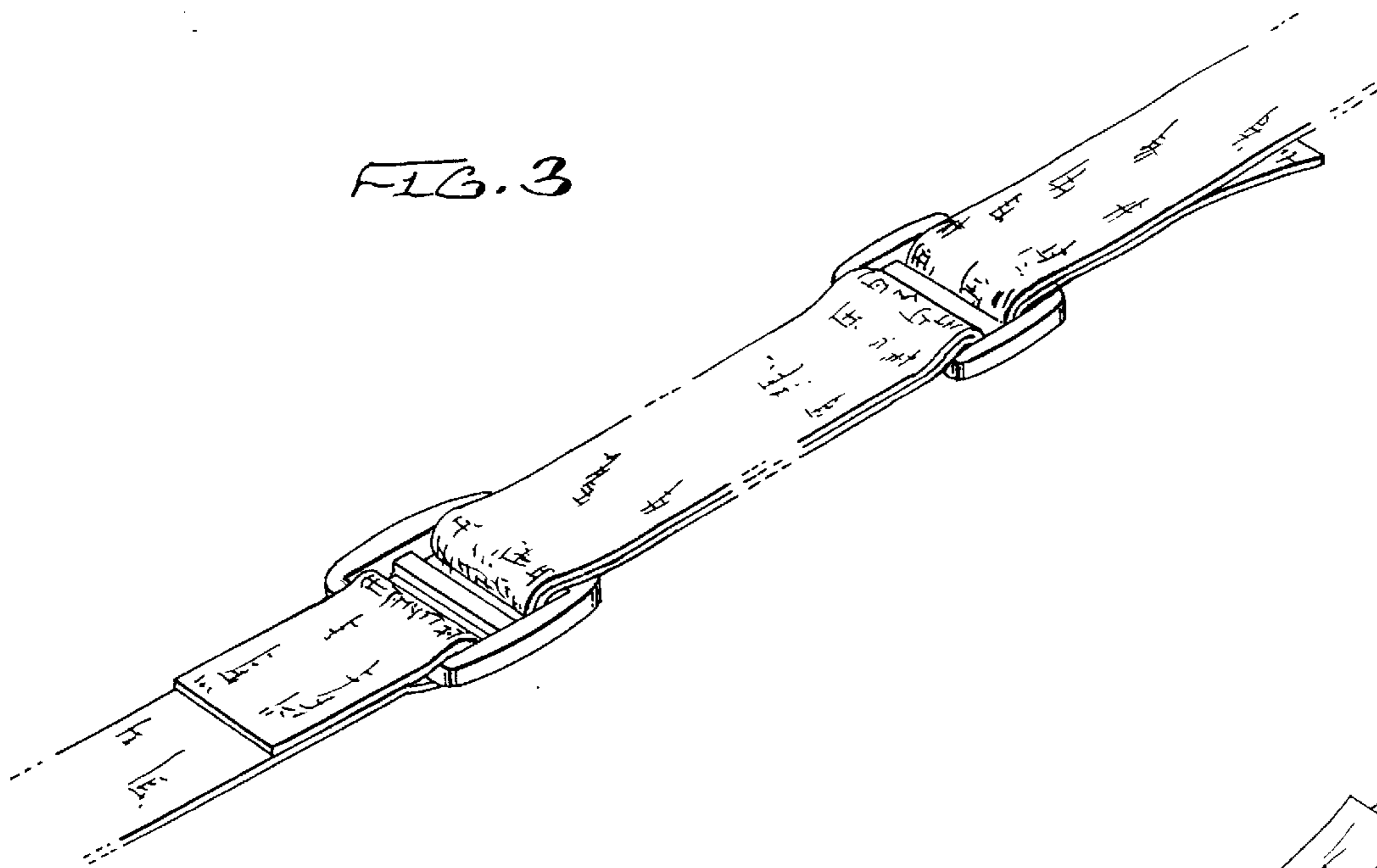


FIG. 4

