



US00D482836S

(12) **United States Design Patent**
Van Landingham, Jr.

(10) **Patent No.:** **US D482,836 S**

(45) **Date of Patent:** **** Nov. 25, 2003**

(54) **HANDLE**

(75) **Inventor:** **Alfred Reneau Van Landingham, Jr.,**
Stephens City, VA (US)

(73) **Assignee:** **Rubbermaid Commercial Products**
LLC, Winchester, VA (US)

(**) **Term:** **14 Years**

(21) **Appl. No.:** **29/175,564**

(22) **Filed:** **Feb. 7, 2003**

(51) **LOC (7) Cl.** **12-02**

(52) **U.S. Cl.** **D34/27**

(58) **Field of Search** D34/12-27; D12/133;
16/110.1, 114.1, 406, 421, 429; 280/33,
992; 340/5, 91; D8/DIG. 7, DIG. 8, DIG. 10

(56) **References Cited**

U.S. PATENT DOCUMENTS

D375,601 S	*	11/1996	Myers	D34/27
D376,459 S	*	12/1996	Myers	D34/27
D392,083 S	*	3/1998	Wu	D34/27
D462,496 S	*	9/2002	Koppes et al.	D34/27
D462,821 S	*	9/2002	Measom	D34/27

OTHER PUBLICATIONS

Rubbermaid Commercial Products—Material Handling,
<http://www.rubbermaidcommercial.com/user/pages/products.jsp?subSubCatID=1943610107&subCatID=144>.

Rubbermaid Commercial Products—Material Handling,
<http://www.rubbermaidcommercial.com/user/pages/products.jsp?crpno=4520>.

* cited by examiner

Primary Examiner—Kay H. Chin

(74) *Attorney, Agent, or Firm*—Foley & Lardner

(57) **CLAIM**

The ornamental design for a handle, as shown and described.

DESCRIPTION

FIG. 1 is a rearward perspective view of an embodiment of a handle according to my new design;

FIG. 2 is a front elevation view of the handle shown in FIG. 1;

FIG. 3 is a rear elevation view of the handle shown in FIG. 1;

FIG. 4 is a top plan view of the handle shown in FIG. 1;

FIG. 5 is a bottom plan view of the handle shown in FIG. 1;

FIG. 6 is a right side elevation view of the handle shown in FIG. 1;

FIG. 7 is a left side elevation view of the handle shown in FIG. 1; and,

FIG. 8 is a right side view of the handle shown in FIG. 1, the handle being shown on a maintenance cart shown in broken lines.

The ornamental design which is claimed is shown in solid lines in the drawings. Any broken lines in the drawings are for illustrative purposes only and form no part of the claimed design.

1 Claim, 5 Drawing Sheets

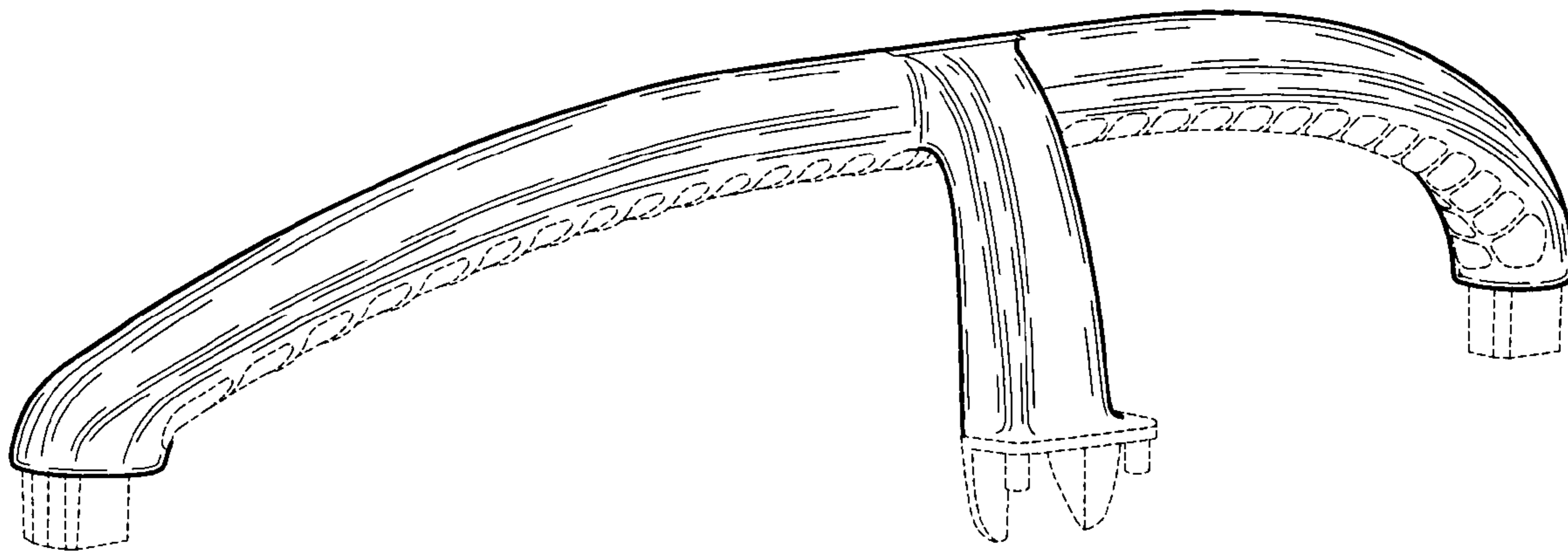


Fig. 1

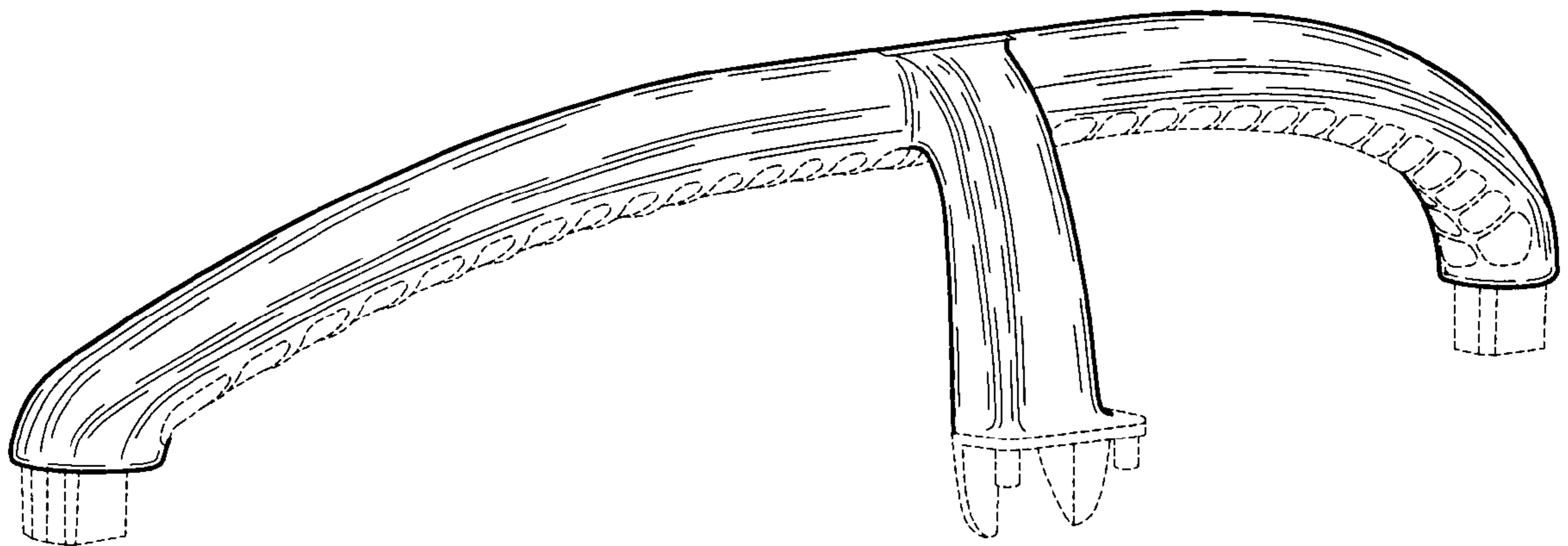


Fig. 2

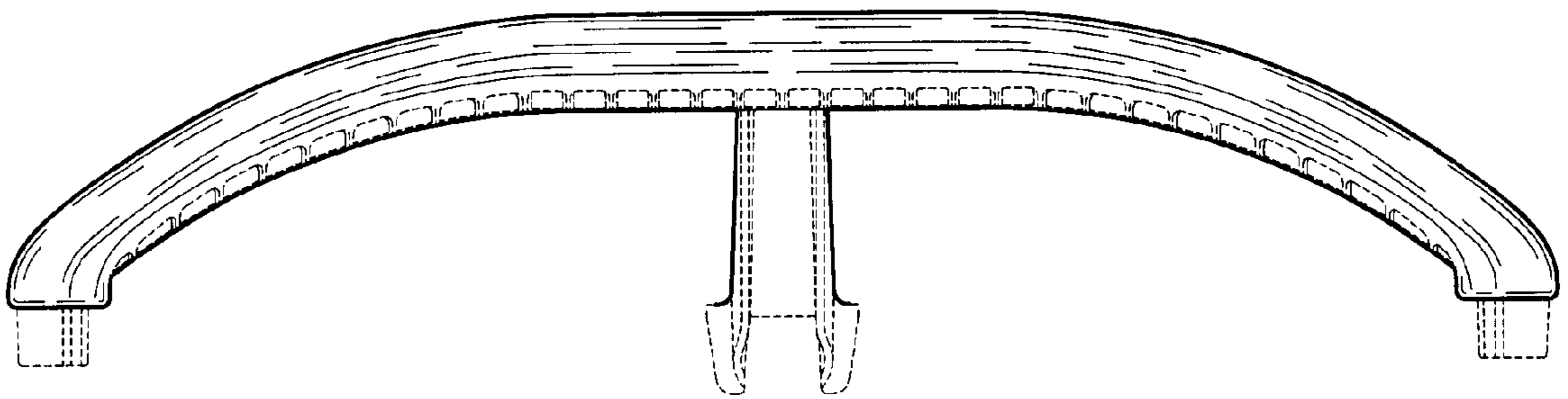


Fig. 3

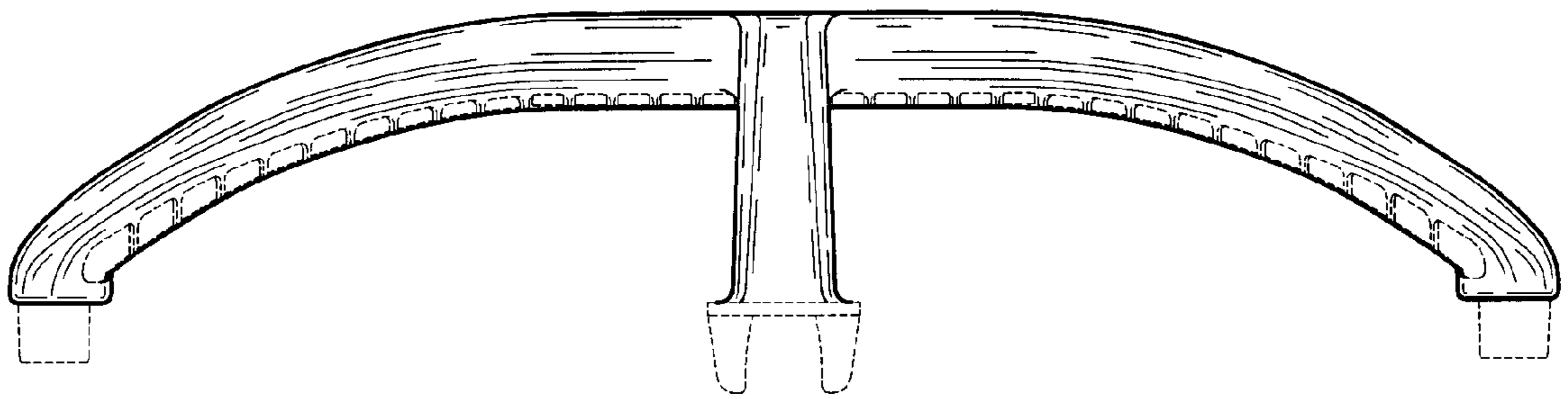


Fig. 4

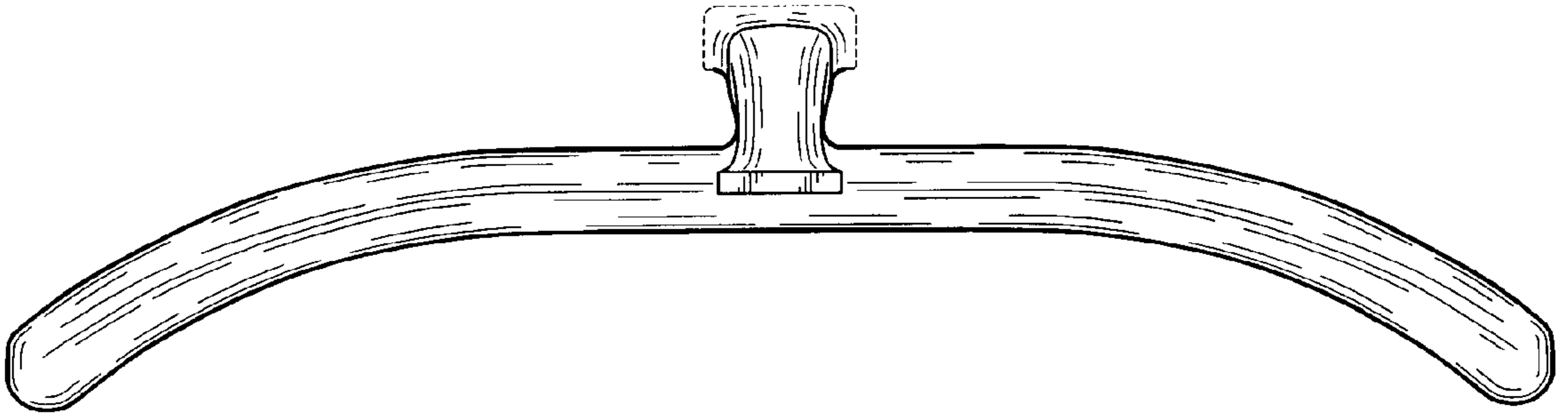


Fig. 5

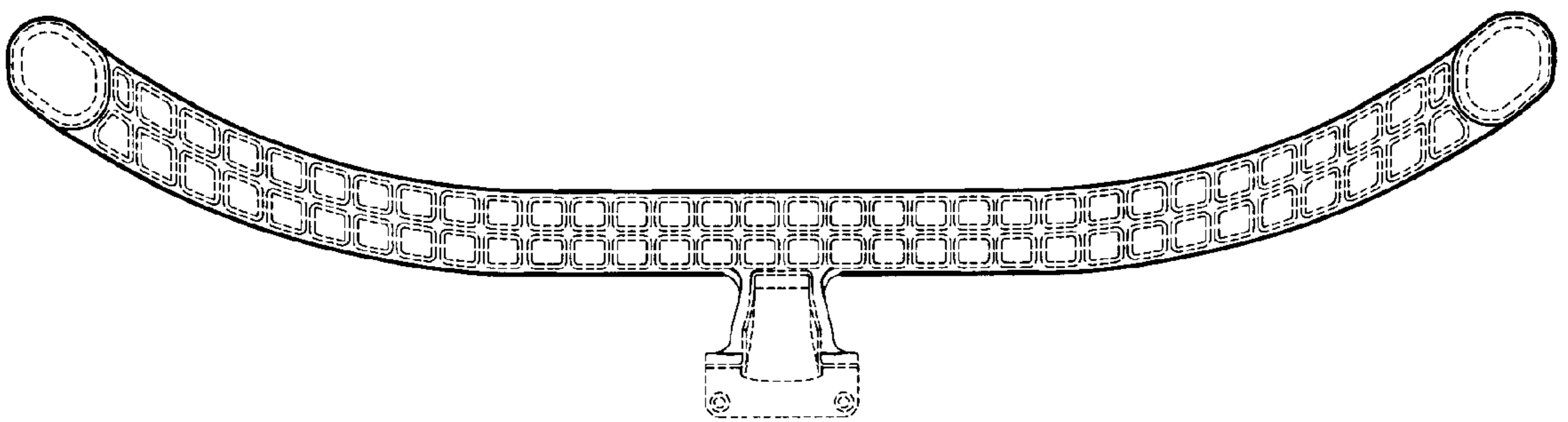


Fig. 6

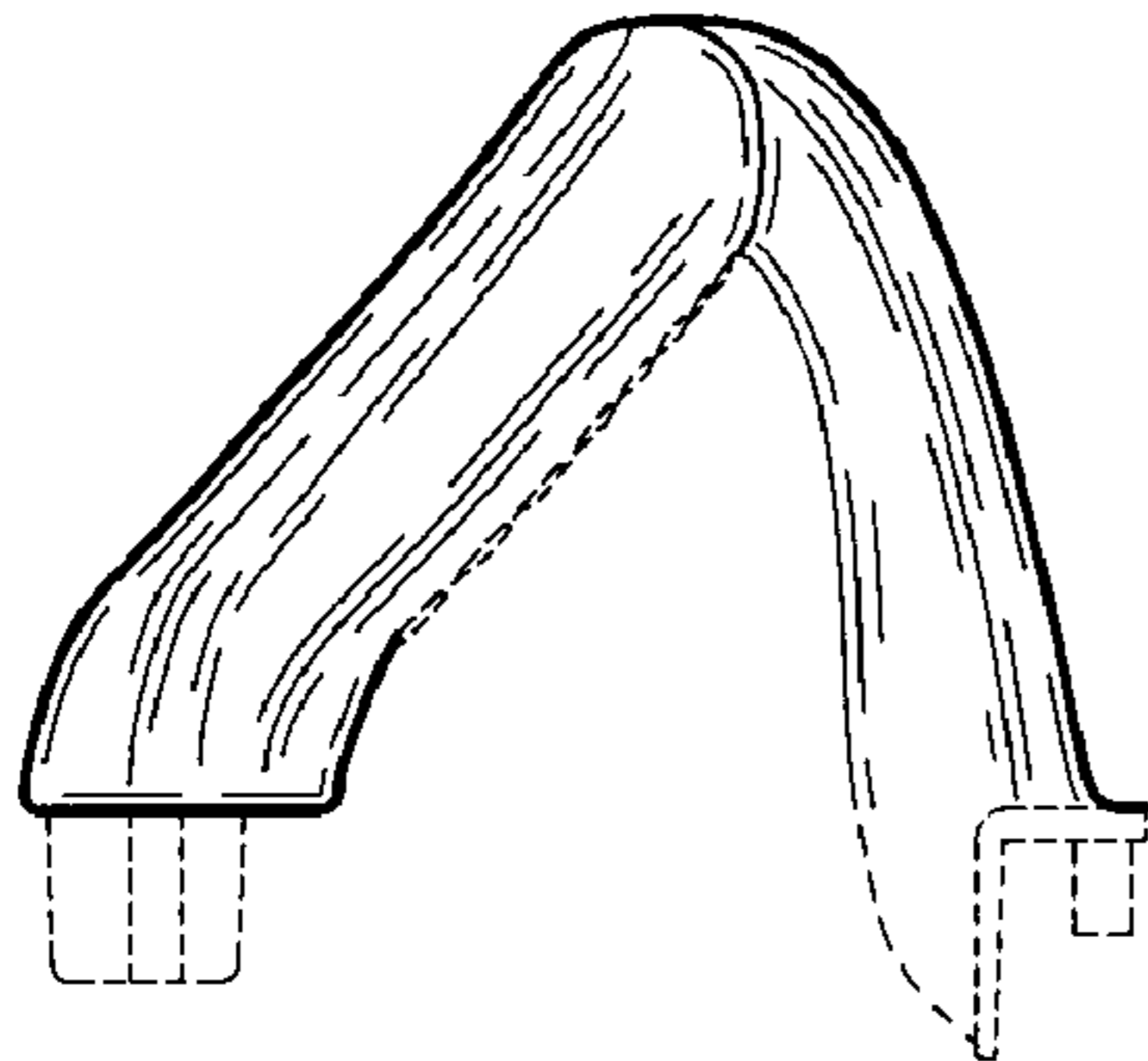


Fig. 7

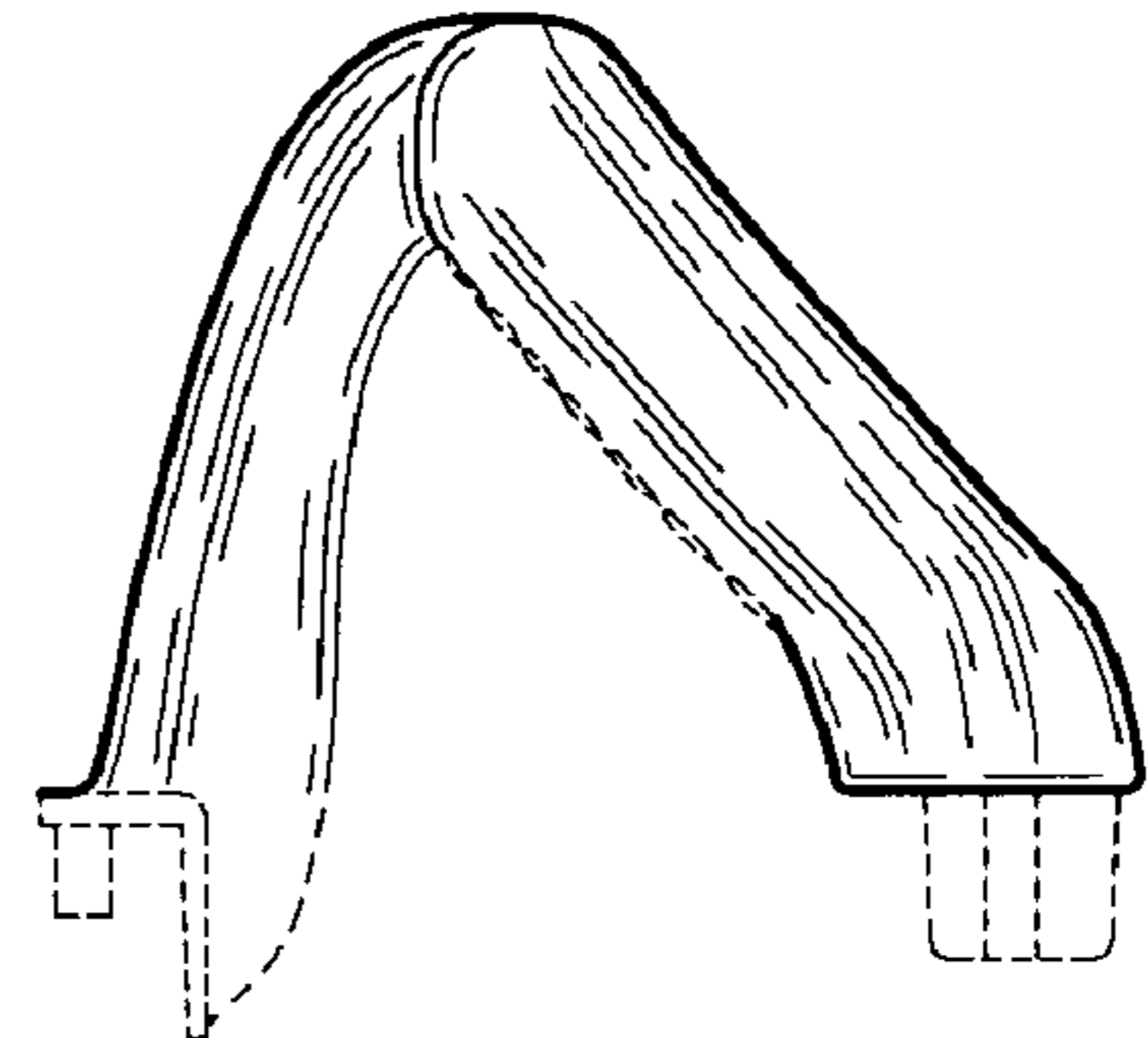


Fig. 8

