



US00D482834S

(12) **United States Design Patent** (10) **Patent No.:** **US D482,834 S**
Bennett (45) **Date of Patent:** **** Nov. 25, 2003**

(54) **REFUSE CONTAINER LID**

D459,046 S * 6/2002 Laib D34/1
D462,838 S * 9/2002 Van Landingham D3/304

(75) Inventor: **Eric Bennett**, Winchester, VA (US)

* cited by examiner

(73) Assignee: **Rubbermaid Commercial Products LLC**, Winchester, VA (US)

Primary Examiner—Cynthia E. Ramirez
(74) *Attorney, Agent, or Firm*—Foley & Lardner

(**) Term: **14 Years**

(57) **CLAIM**

(21) Appl. No.: **29/167,581**

The ornamental design for a refuse container lid, as shown and described.

(22) Filed: **Sep. 18, 2002**

DESCRIPTION

(51) **LOC (7) Cl.** **09-09**

(52) **U.S. Cl.** **D34/11**

(58) **Field of Search** D34/1, 7, 10, 11;
220/908, 252, 263, 200, 910

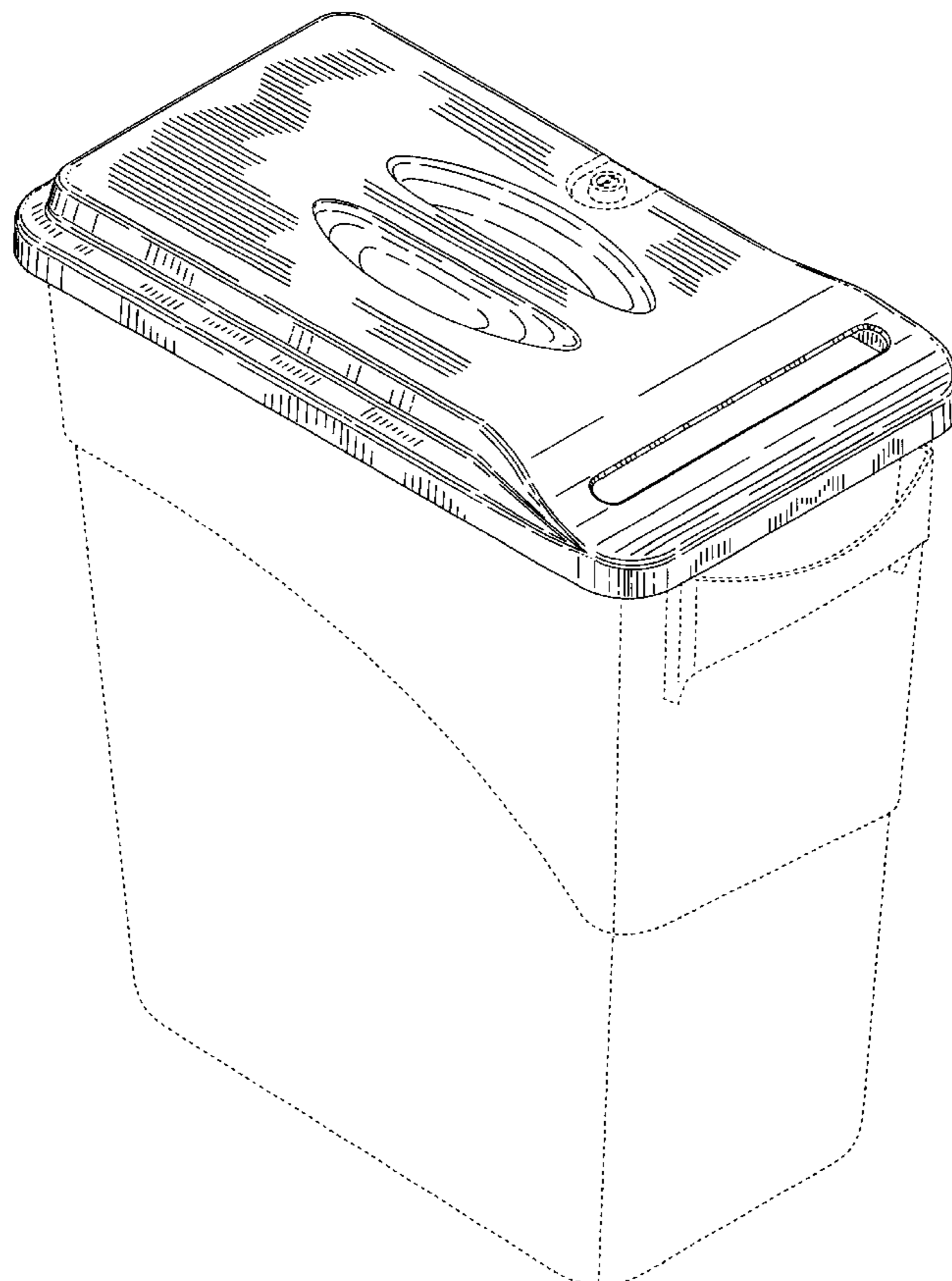
FIG. 1 is a top frontal perspective view of a refuse container lid according to my new design;
FIG. 2 is a right side view of the embodiment shown in FIG. 1;
FIG. 3 is a left side view of the embodiment shown in FIG. 1;
FIG. 4 is a back view of the embodiment shown in FIG. 1;
FIG. 5 is a front view of the embodiment shown in FIG. 1;
FIG. 6 is a bottom view of the embodiment shown in FIG. 1;
FIG. 7 is a bottom view of the embodiment shown in FIG. 1 with the environmental structure removed for clarity; and
FIG. 8 is a top view of the embodiment shown in FIG. 1.
The broken lines in the drawings are for illustrative purposes only and form no part of the claimed design.

(56) **References Cited**

U.S. PATENT DOCUMENTS

D322,498 S	*	12/1991	McClees et al.	D34/1
D327,555 S	*	6/1992	Juergens	D34/1
D331,133 S	*	11/1992	Edwards	D34/11
D351,906 S	*	10/1994	Marsh	D24/131
D376,456 S		12/1996	Presnell et al.		
D376,884 S		12/1996	Presnell et al.		
D405,576 S	*	2/1999	Rausch	D34/1
D407,881 S	*	4/1999	Delmerico	D34/11
D411,677 S	*	6/1999	Kenamer	D34/10
D422,767 S	*	4/2000	Presser	D34/6
D436,171 S	*	1/2001	Gaba et al.	D24/131

1 Claim, 8 Drawing Sheets



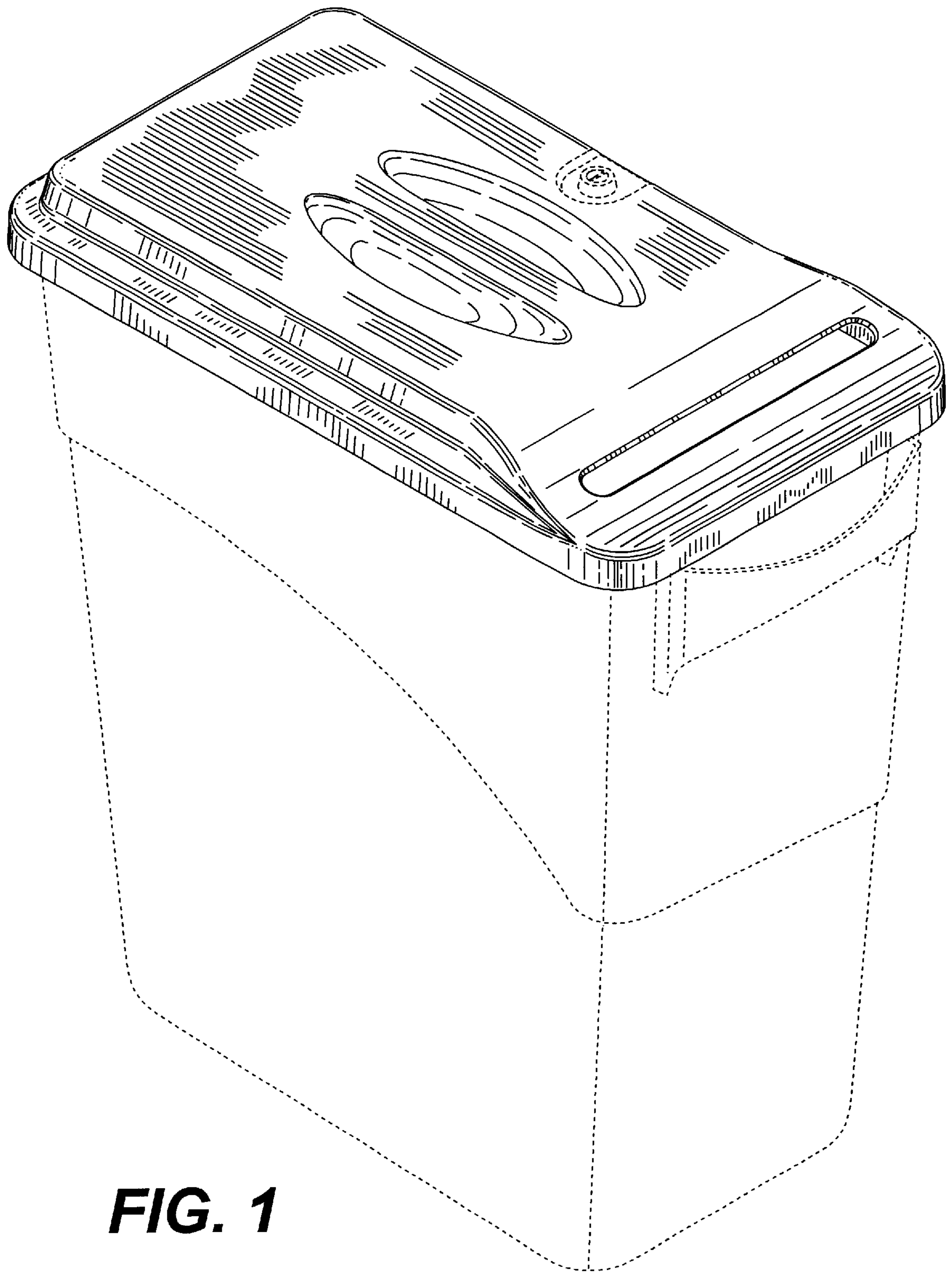


FIG. 1

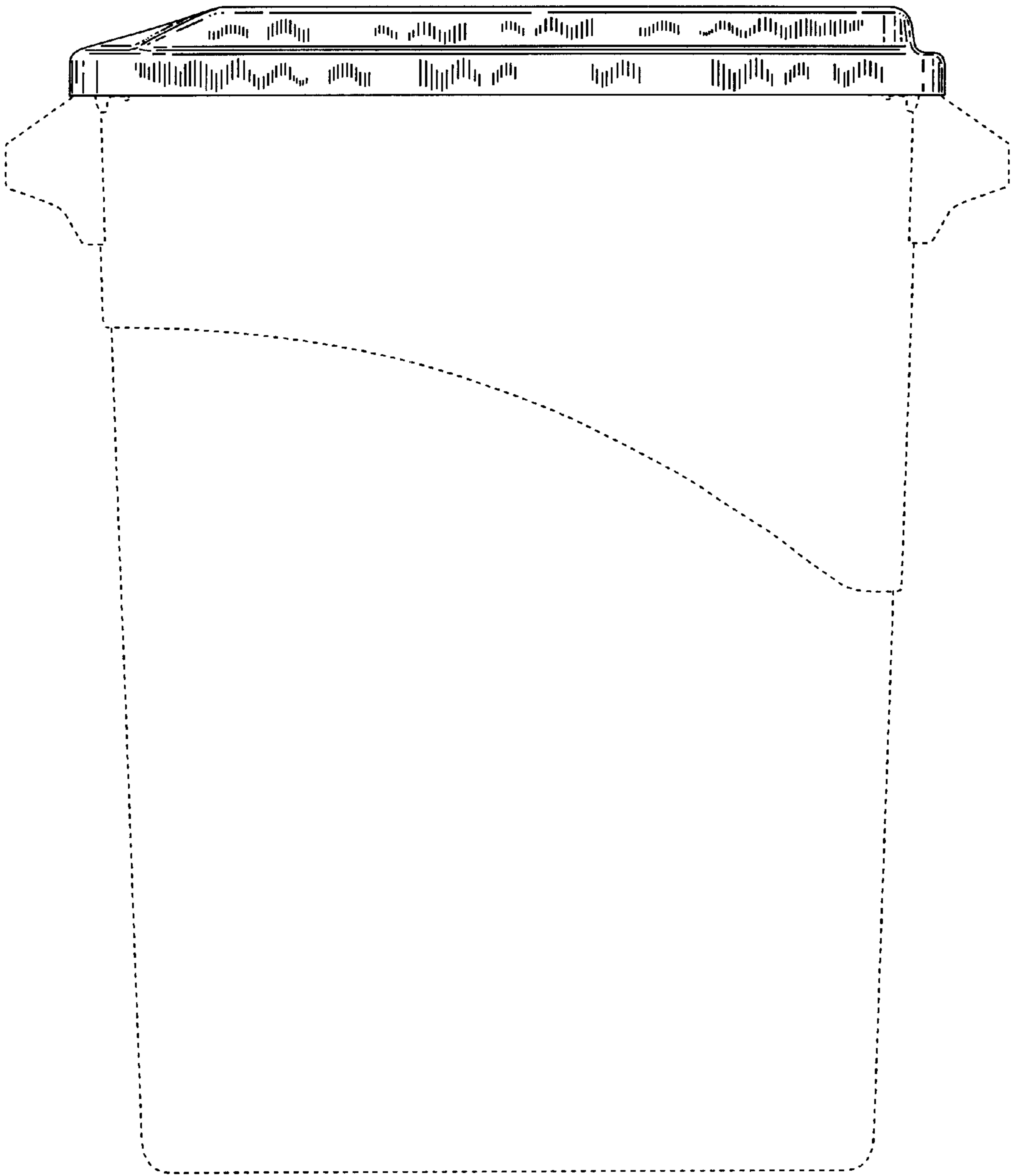


FIG. 2

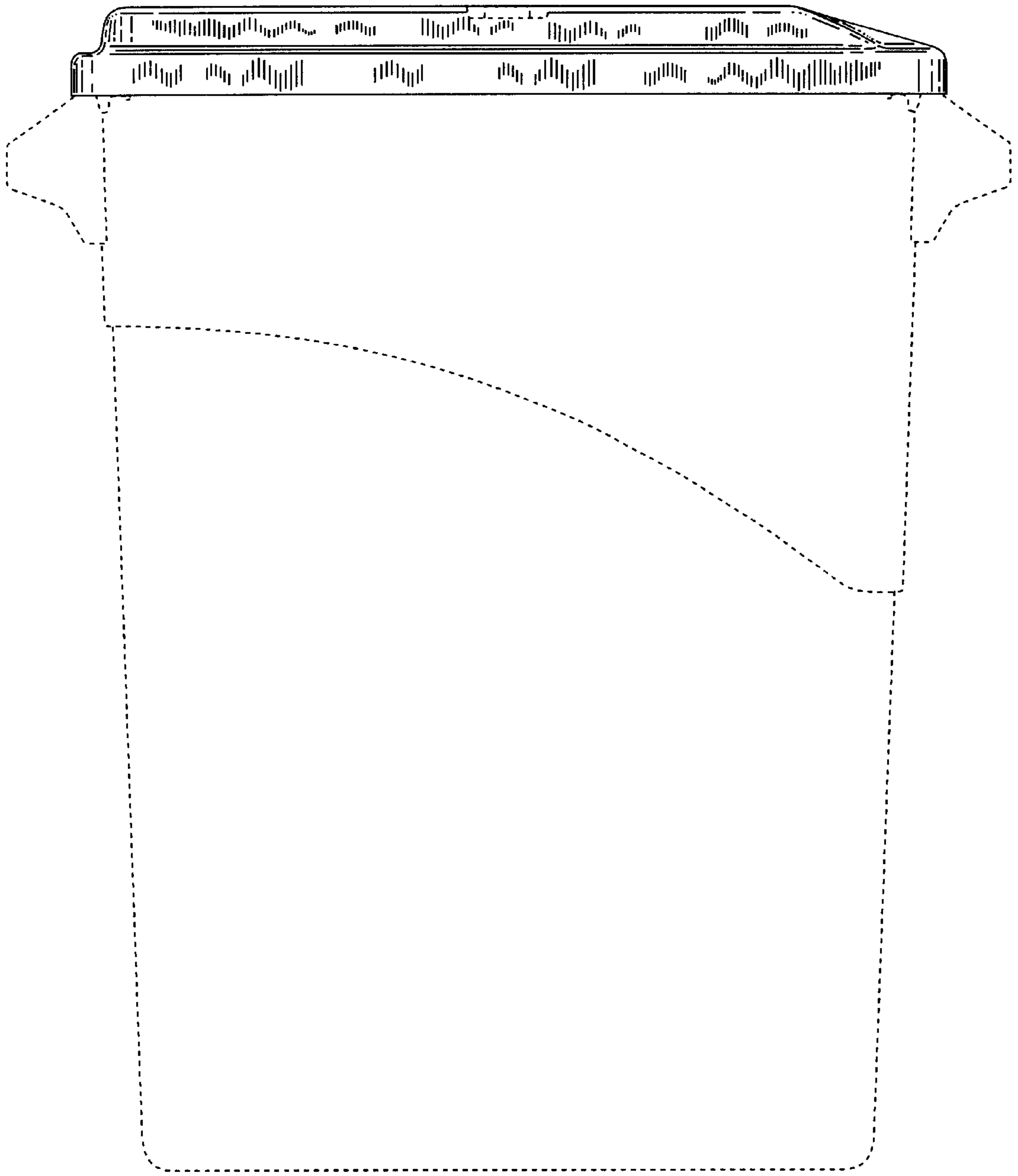


FIG. 3

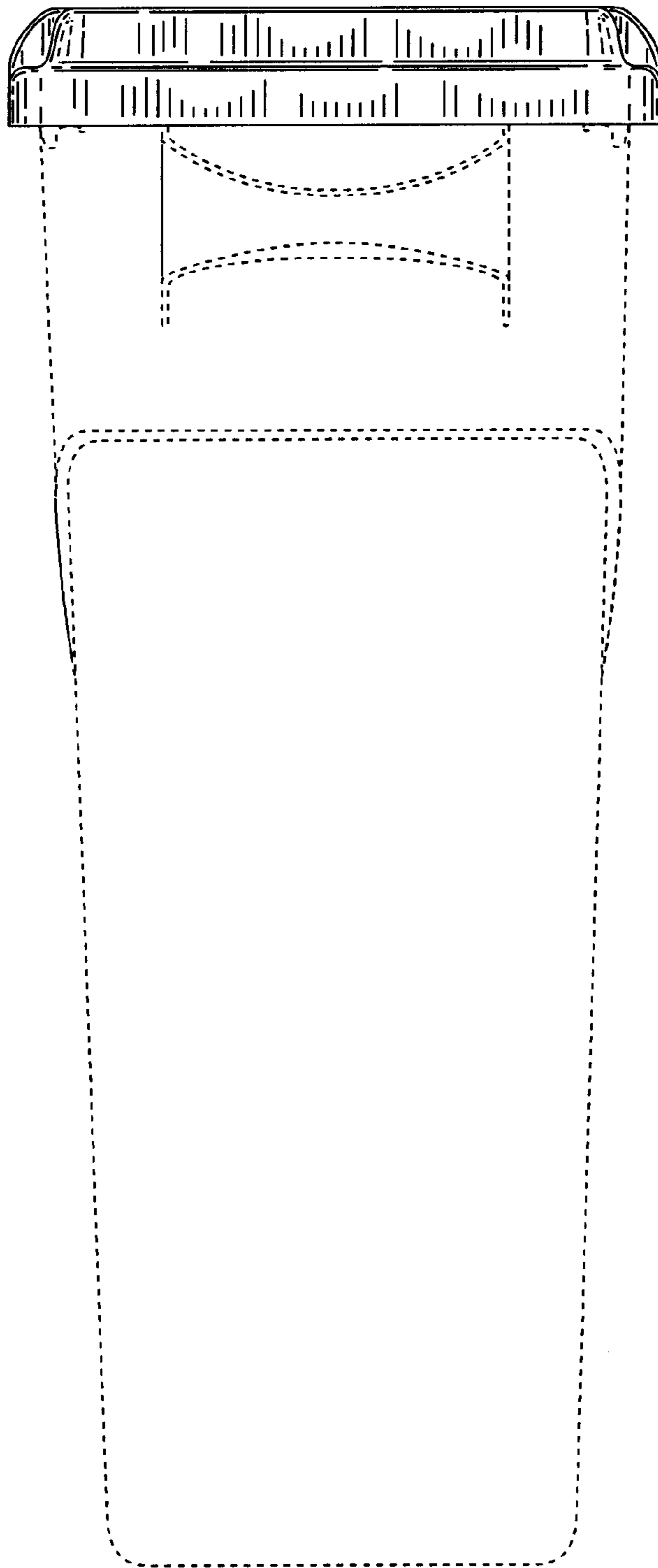


FIG. 4

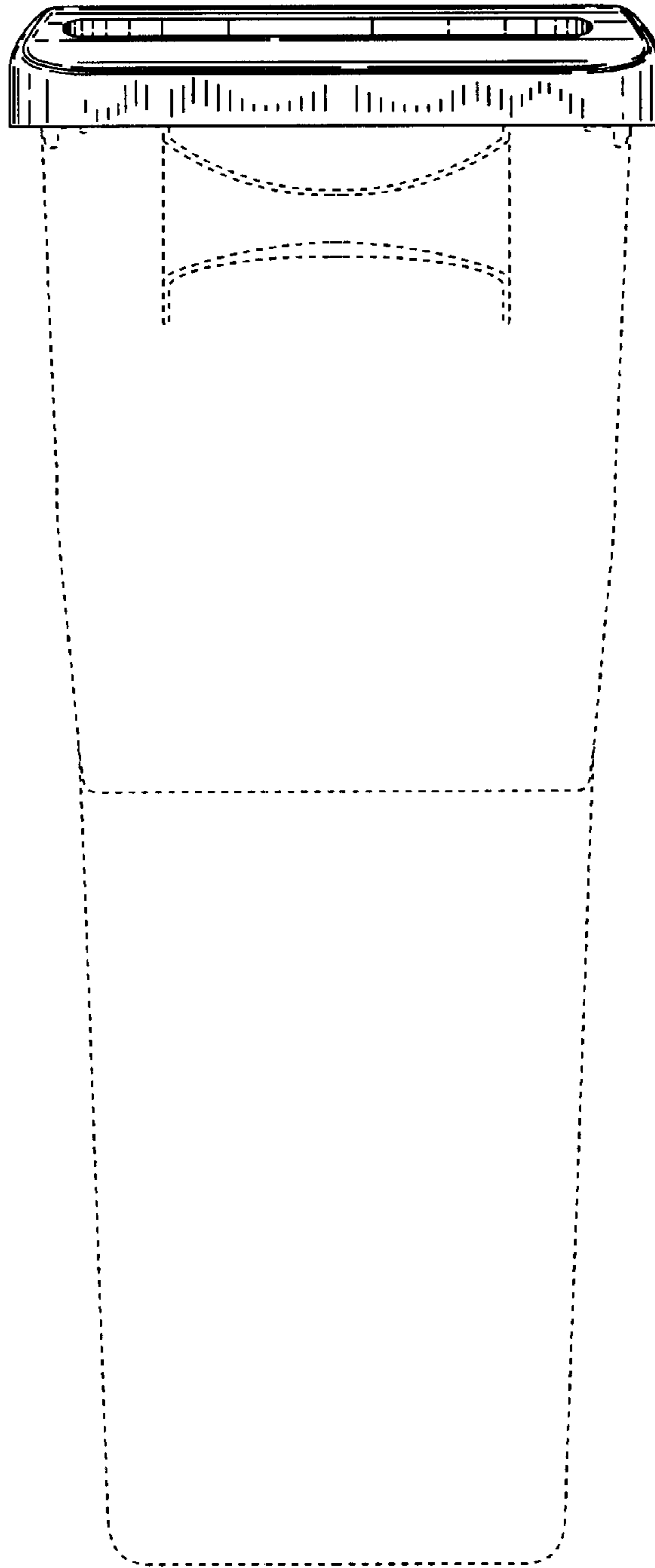


FIG. 5

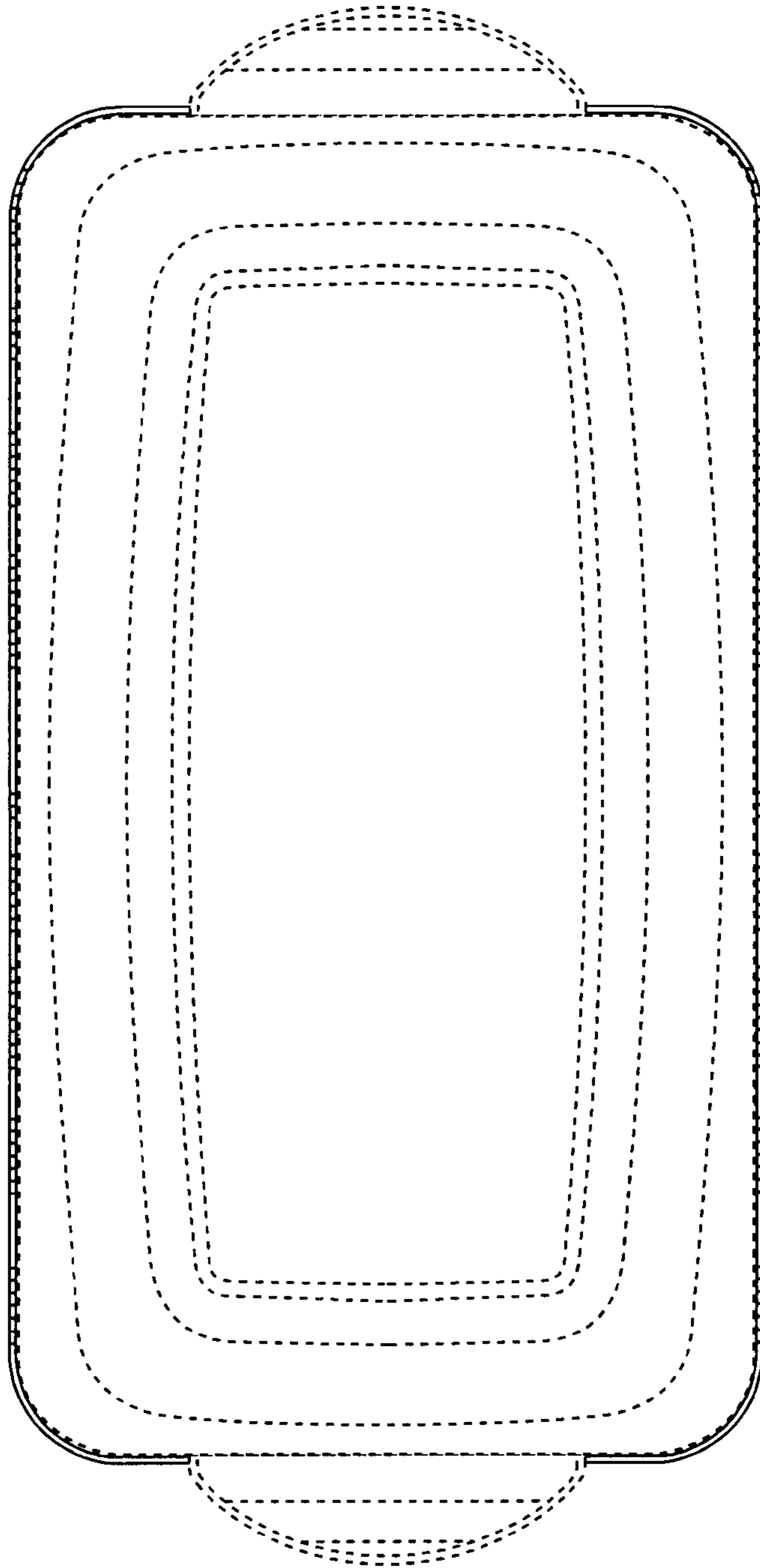


FIG. 6

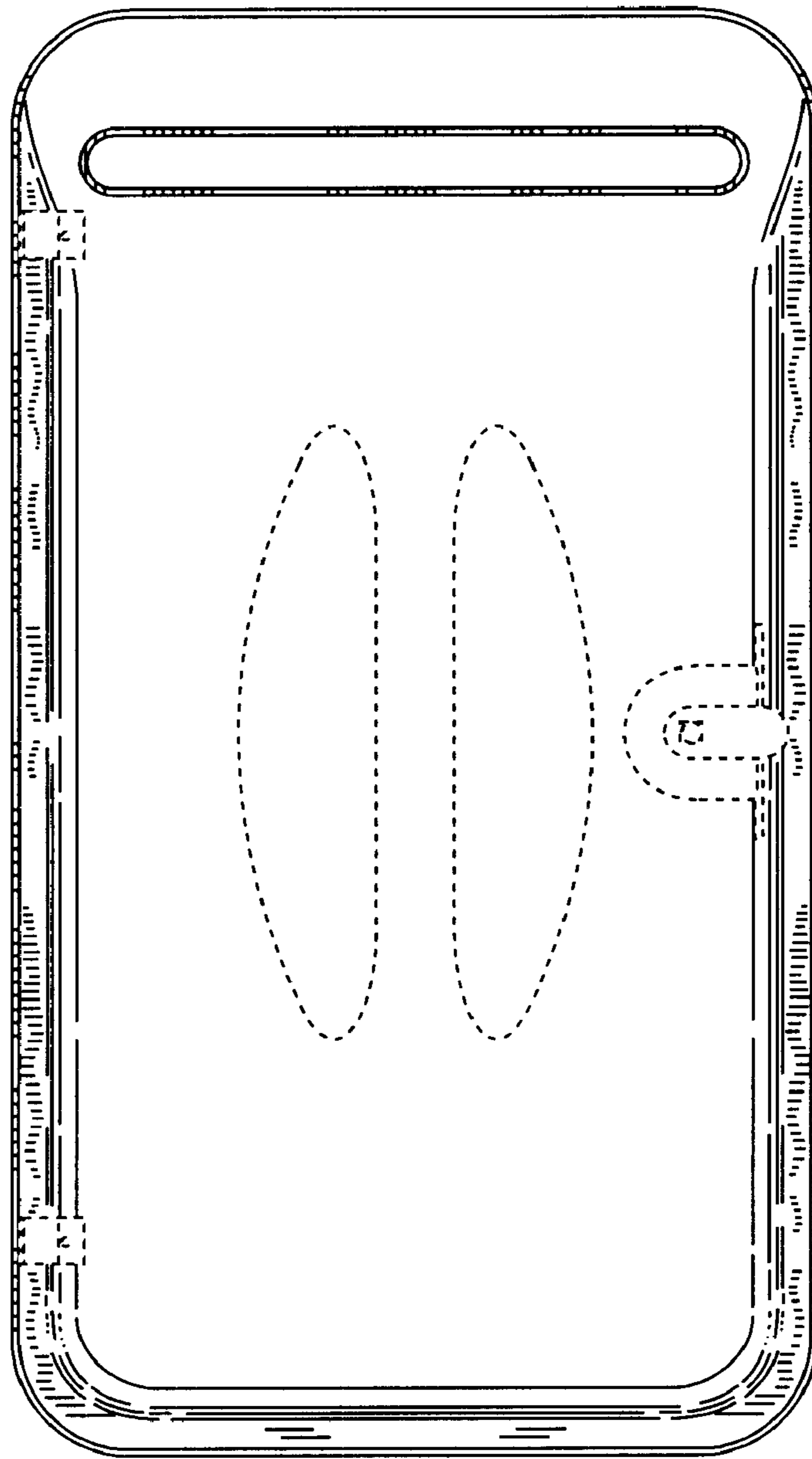


FIG. 7

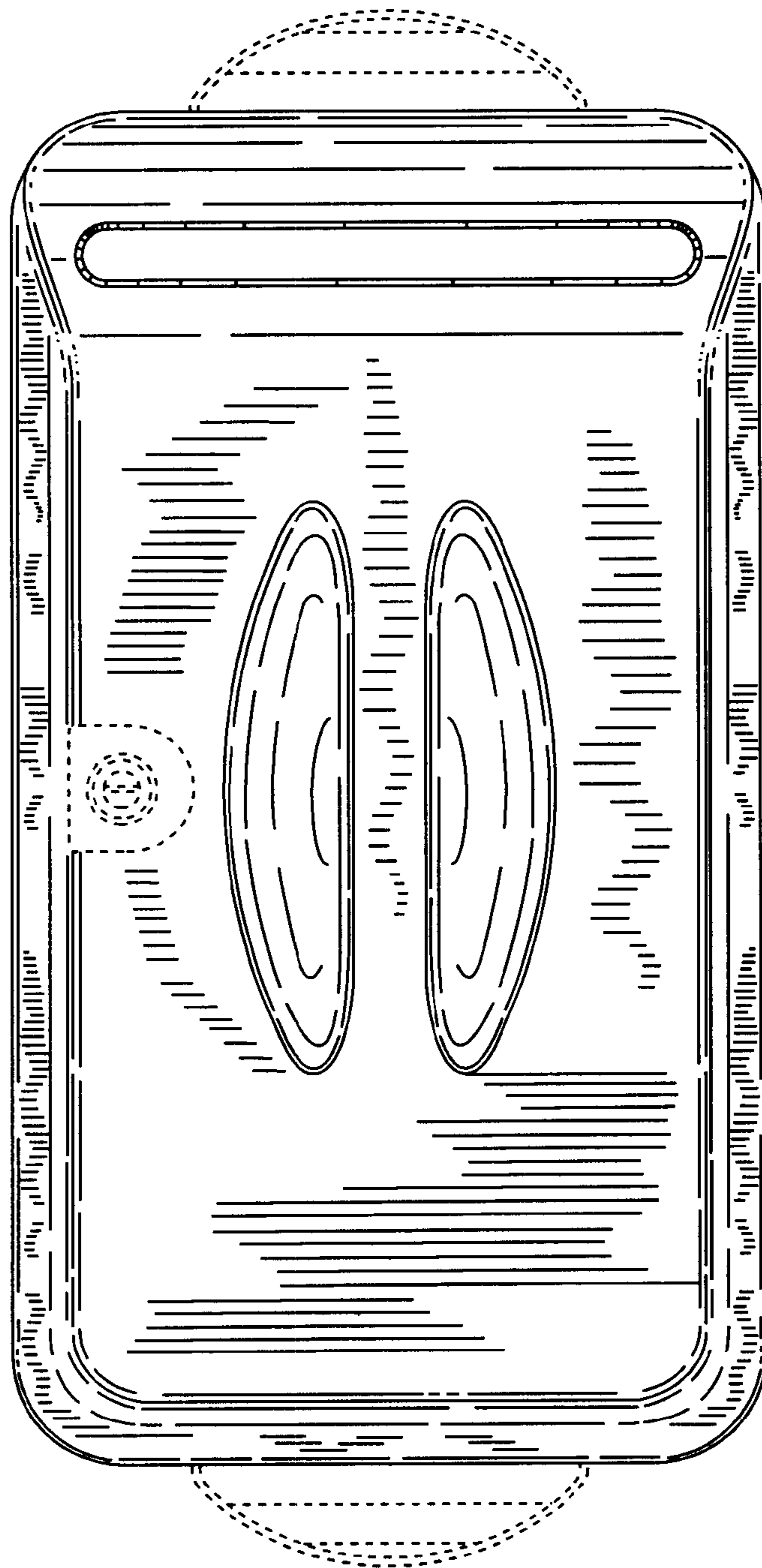


FIG. 8