



US00D482830S

(12) **United States Design Patent**
Kohn

(10) **Patent No.:** **US D482,830 S**

(45) **Date of Patent:** **** Nov. 25, 2003**

(54) **PAINT TRIM TRAY**

(76) **Inventor:** **Peter Kohn**, 162-21 Powell Cove Blvd., Queens, NY (US) 11357

(**) **Term:** **14 Years**

(21) **Appl. No.:** **29/180,566**

(22) **Filed:** **Apr. 25, 2003**

(51) **LOC (7) Cl.** **07-07**

(52) **U.S. Cl.** **D32/53.1**

(58) **Field of Search** D32/53, 53.1;
D9/341, 347, 424, 425; 15/248.1, 257.05,
257.06; 206/505, 518-520, 557, 561; 220/500,
505, 555, 570, 604, 669, 674-675, 695,
697, 699-700, 735-736, DIG. 12, DIG. 13,
DIG. 14

(56) **References Cited**

U.S. PATENT DOCUMENTS

3,671,992 A * 6/1972 Linger 220/699 X
D328,808 S * 8/1992 Goetz D32/53.1
D332,512 S * 1/1993 Bernard D32/53.1

D351,997 S * 11/1994 Finnah D9/347
5,511,279 A * 4/1996 Ippolito 15/257.06
5,634,568 A * 6/1997 Wawrzyniak 220/570
D448,130 S * 9/2001 Wagner D32/53.1

* cited by examiner

Primary Examiner—Alan P. Douglas

Assistant Examiner—Lavone D. Tabor

(74) *Attorney, Agent, or Firm*—Goldstein & Lavas, P.C.

(57) **CLAIM**

The ornamental design for a paint trim tray, as shown and described.

DESCRIPTION

FIG. 1 is a perspective view of a paint trim tray.

FIG. 2 is a front elevational view thereof.

FIG. 3 is a rear elevational view thereof.

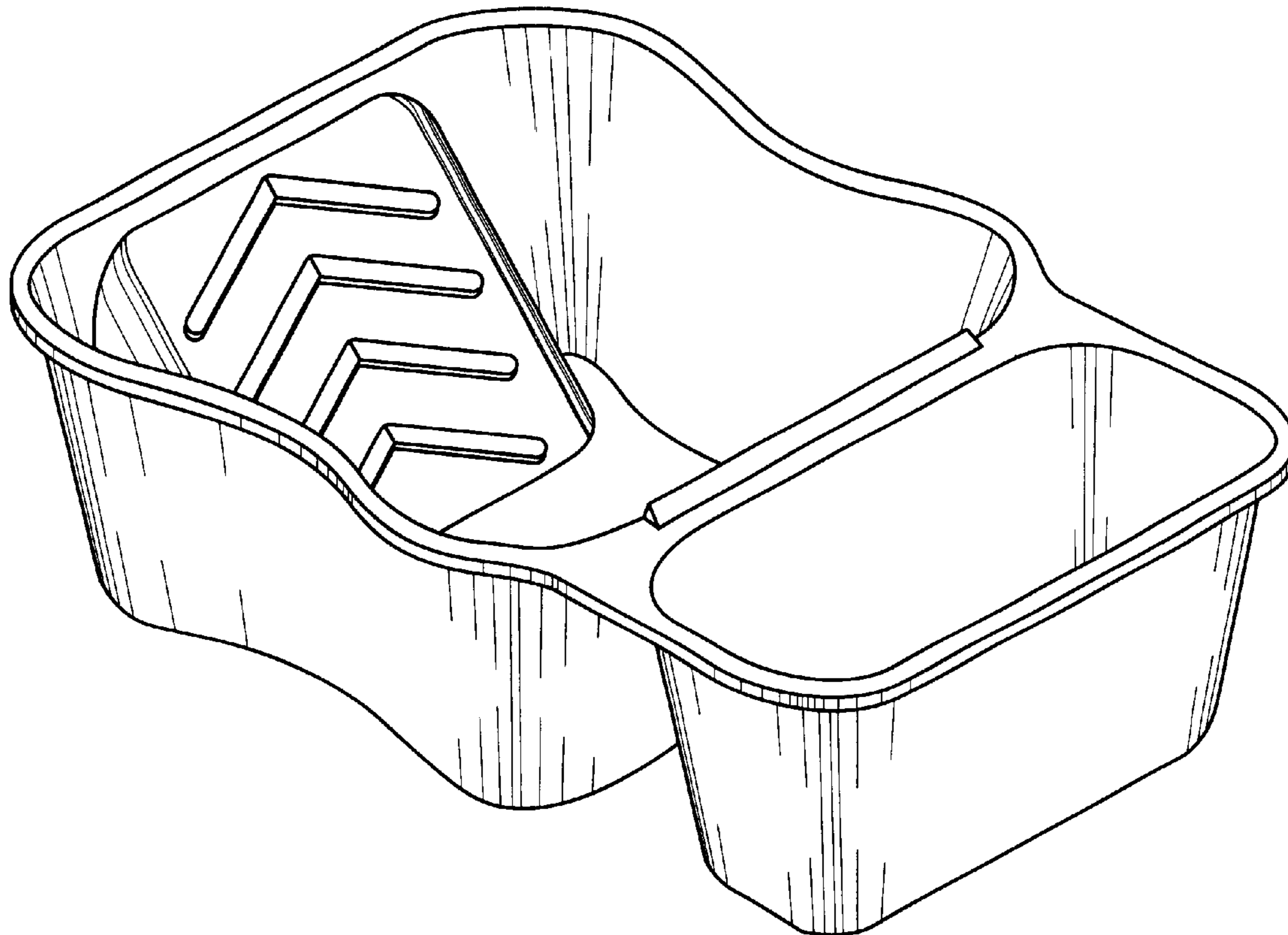
FIG. 4 is a left side elevational view thereof.

FIG. 5 is a right side elevational view thereof.

FIG. 6 is a top plan view of the paint trim tray; and,

FIG. 7 is a bottom plan view thereof.

1 Claim, 4 Drawing Sheets



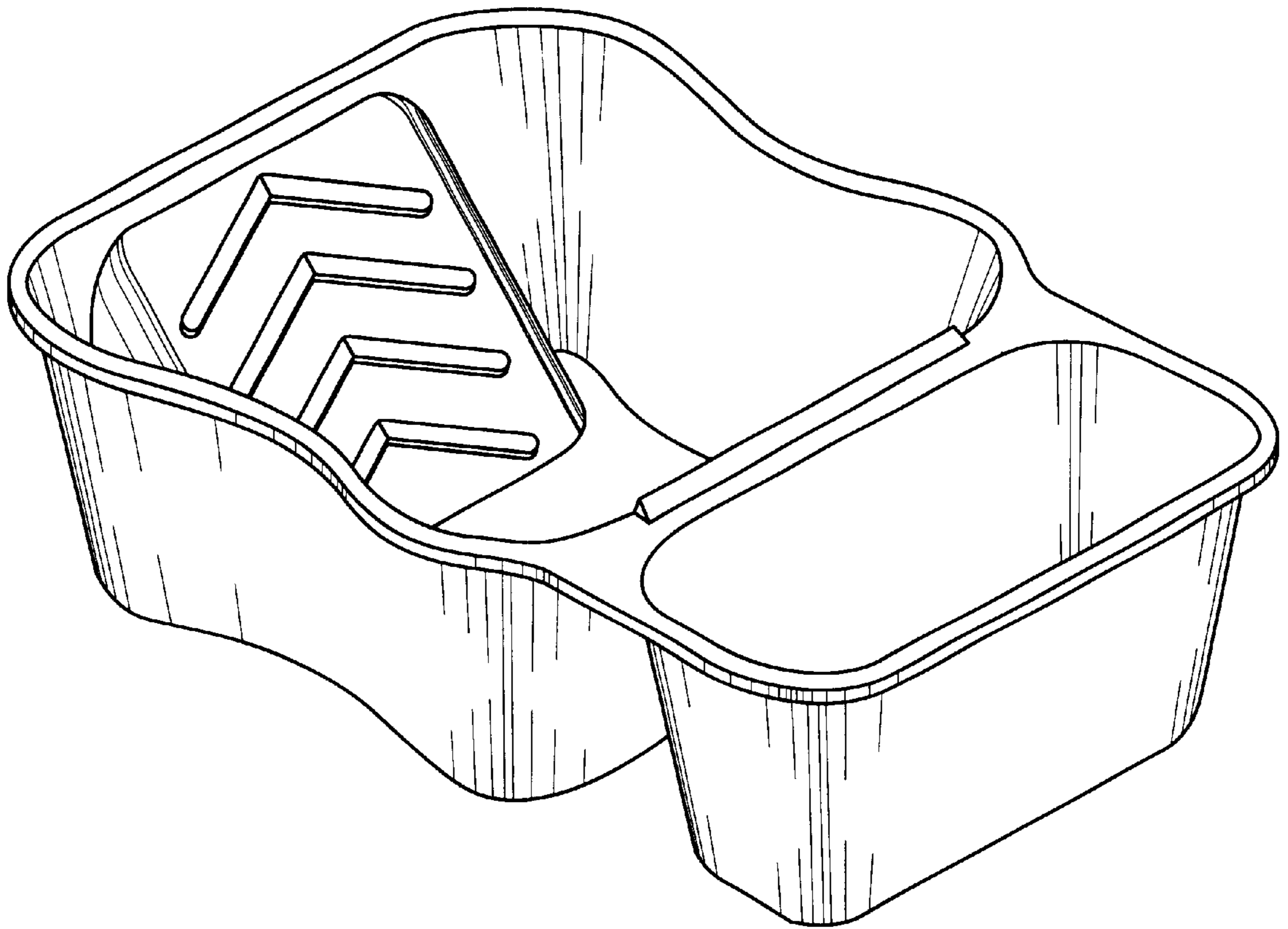


FIG. 1

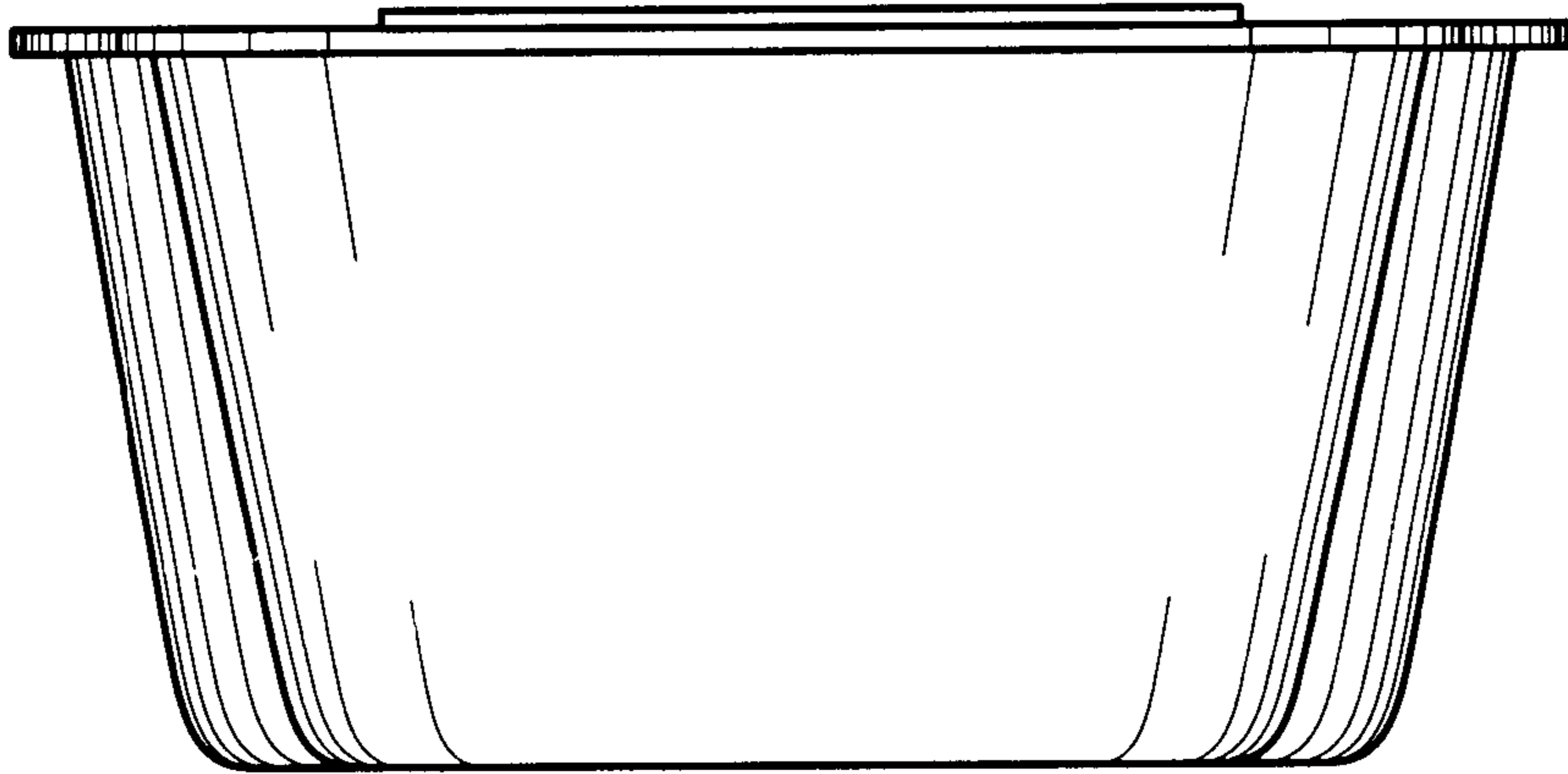


FIG. 2

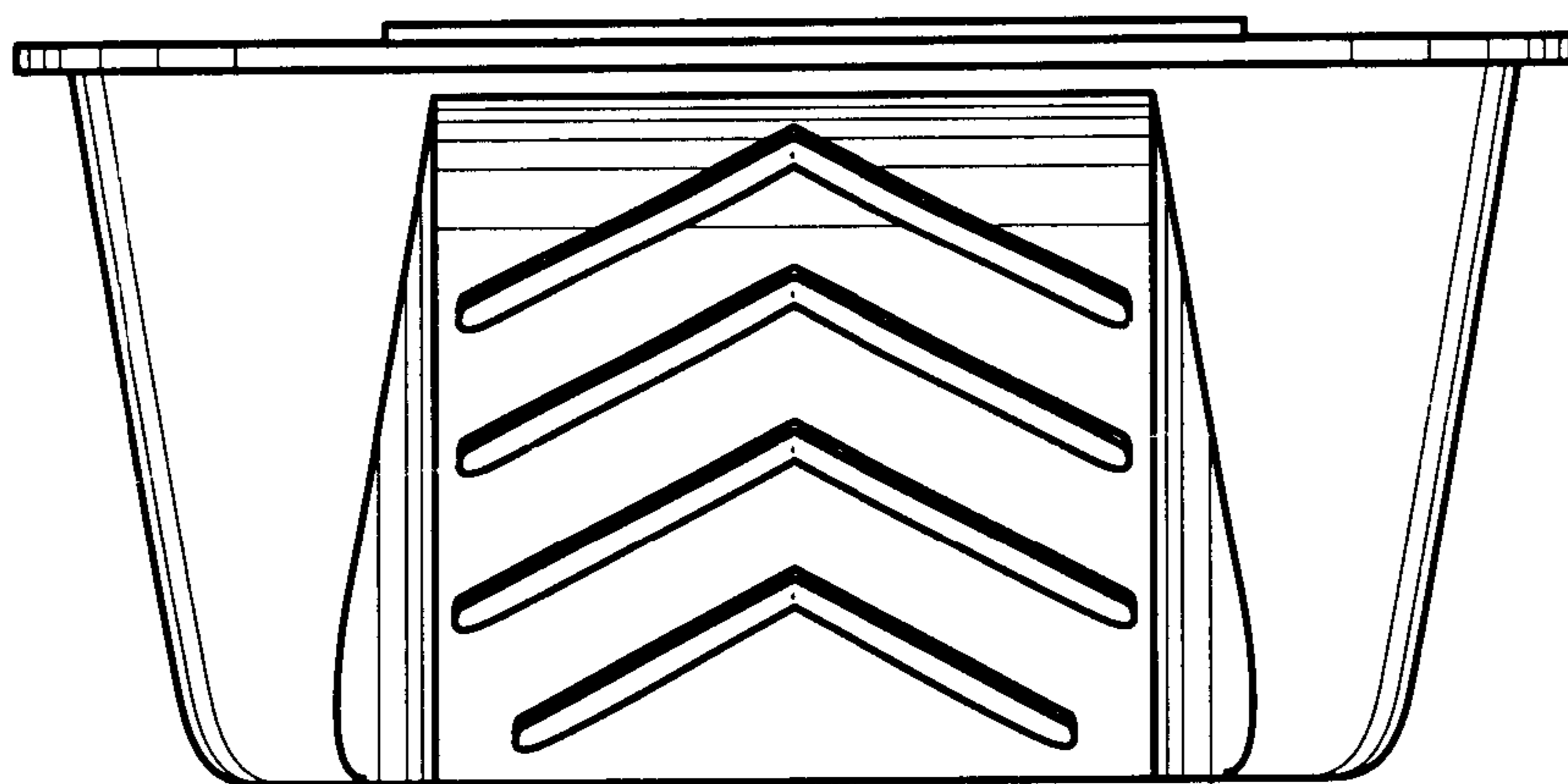


FIG. 3

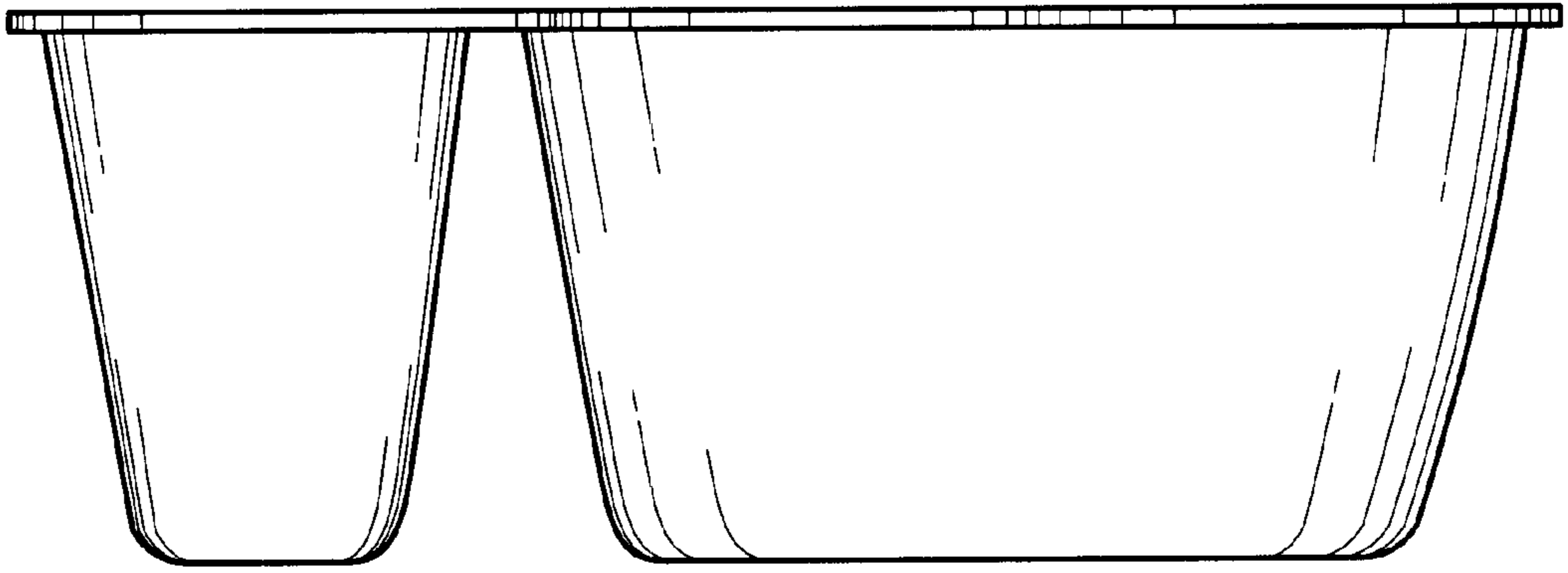


FIG. 4

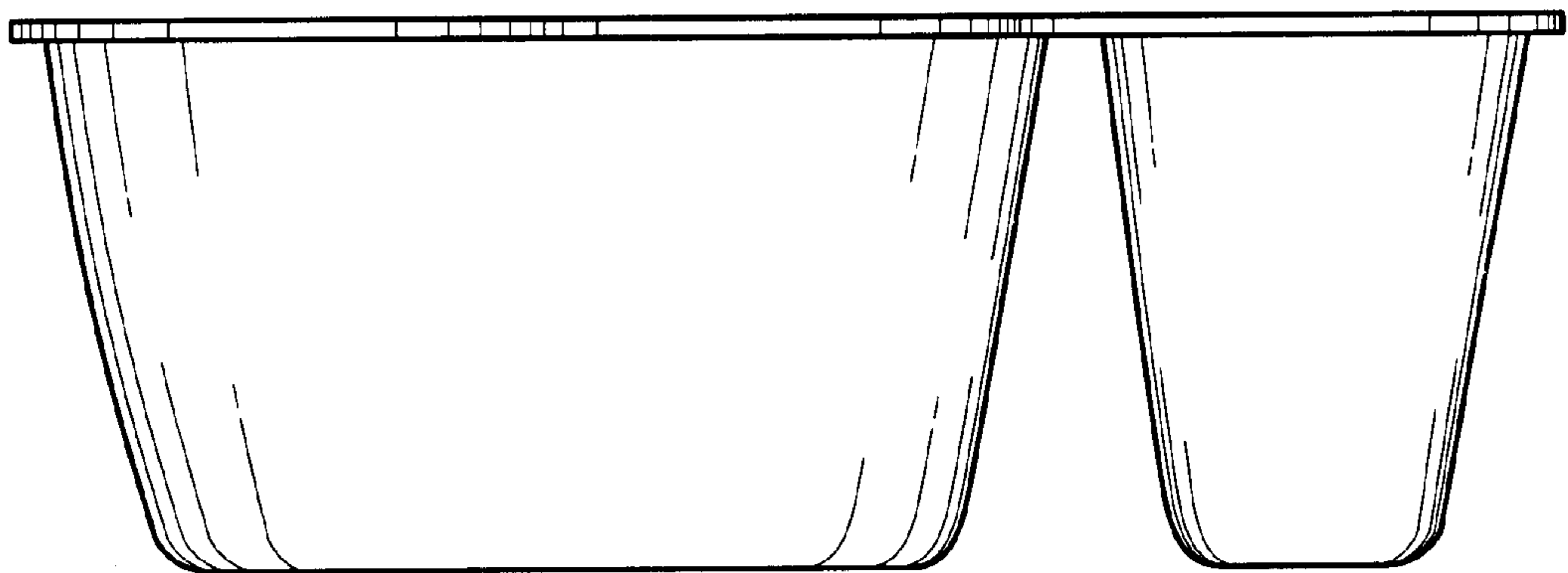


FIG. 5

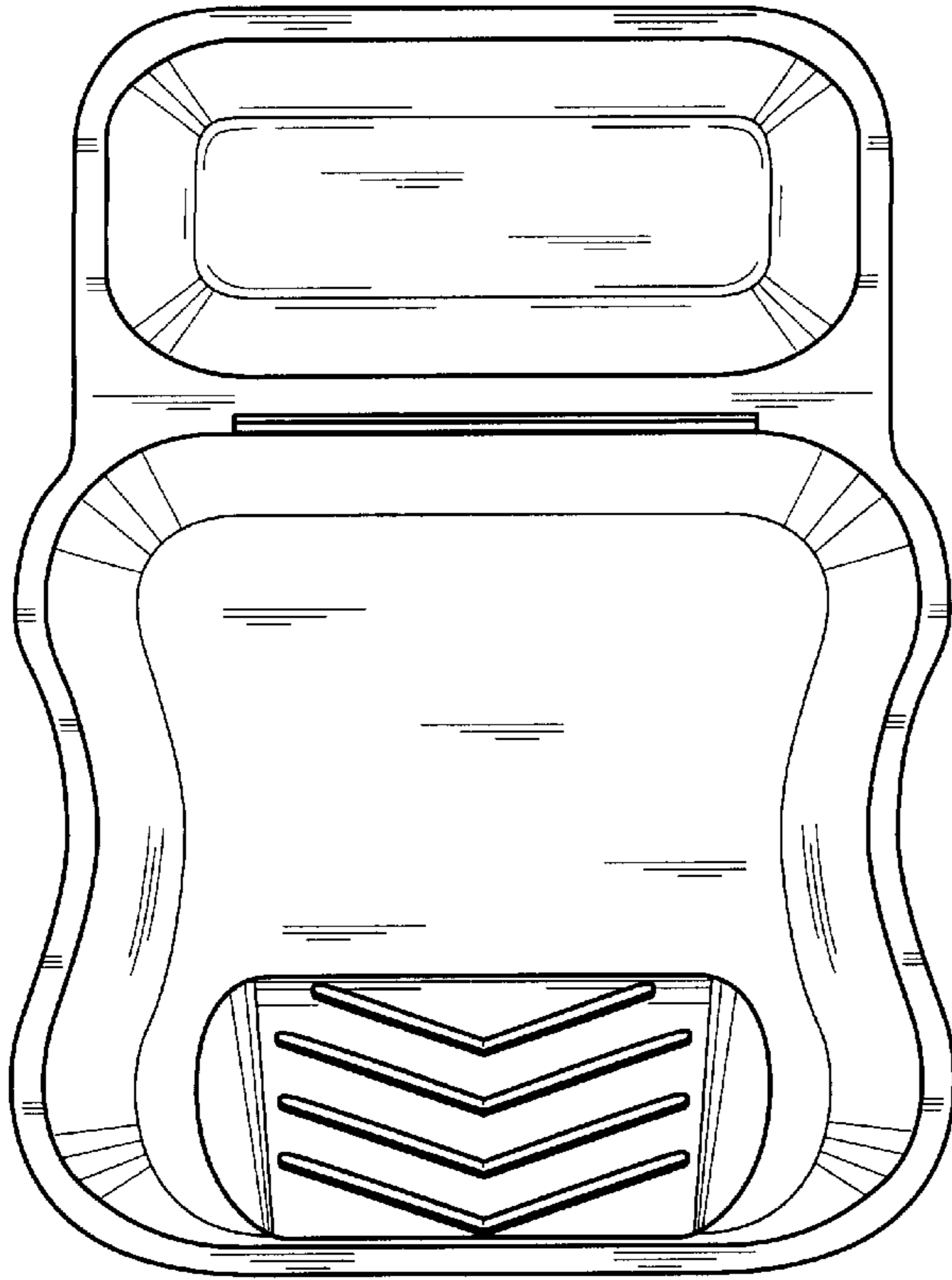


FIG. 6

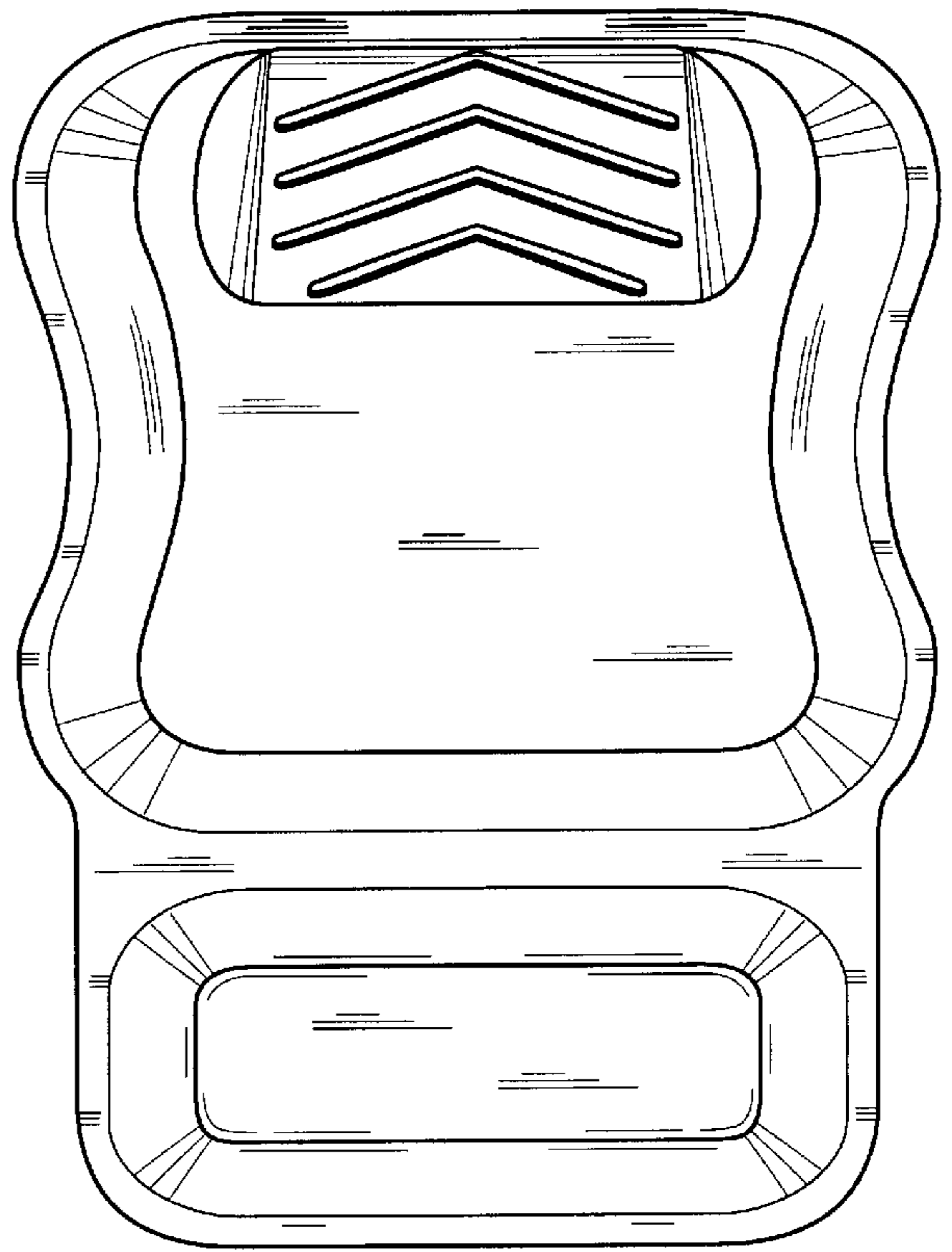


FIG. 7