



US00D482829S

(12) **United States Design Patent**  
**Vosbikian et al.**

(10) **Patent No.:** **US D482,829 S**

(45) **Date of Patent:** **\*\* Nov. 25, 2003**

(54) **LIQUID DISBURSEMENT MOP**

(75) Inventors: **Peter S. Vosbikian**, Moorestown, NJ (US); **Robert E. Petner**, Burlington, NJ (US)

(73) Assignee: **Quickie Manufacturing Corporation**, Cinnaminson, NJ (US)

(\*\*) Term: **14 Years**

(21) Appl. No.: **29/168,263**

(22) Filed: **Sep. 26, 2002**

(51) **LOC (7) Cl.** ..... **04-01**

(52) **U.S. Cl.** ..... **D32/45; D32/50**

(58) **Field of Search** ..... **D32/40, 45, 50, D32/51; 15/209.1, 210.1, 228, 147.1, 147.2, 231, 233; 401/138-140, 268, 270, 275, 279, 282**

(56) **References Cited**

**U.S. PATENT DOCUMENTS**

3,123,851 A \* 3/1964 Arndt et al. .... 401/138  
4,863,299 A \* 9/1989 Osberghaus et al. .... 401/138 X  
D401,703 S \* 11/1998 Beechuk et al. .... D32/45  
6,497,525 B1 \* 12/2002 Huang ..... 401/138

**FOREIGN PATENT DOCUMENTS**

JP 9-253017 \* 9/1997 ..... A47L/13/16

\* cited by examiner

*Primary Examiner*—Alan P. Douglas

*Assistant Examiner*—Lavone D. Tabor

(74) *Attorney, Agent, or Firm*—Stuart M. Goldstein

(57) **CLAIM**

The ornamental design for a liquid disbursement mop, as shown and described.

**DESCRIPTION**

FIG. 1 is an isometric view of the mop of the present invention.

FIG. 2 is an isometric view of the present invention, showing cleaning head member rotation.

FIG. 3 is an isometric view of the present invention as the cleaning head member continues its rotation from the position shown in FIG. 2.

FIG. 4 is an isometric view of the presenting invention showing the cleaning head member rotated 180° from the position shown in FIG. 1.

FIG. 5 is a front view of the design of the present invention.

FIG. 6 is a rear view of the design of the present invention.

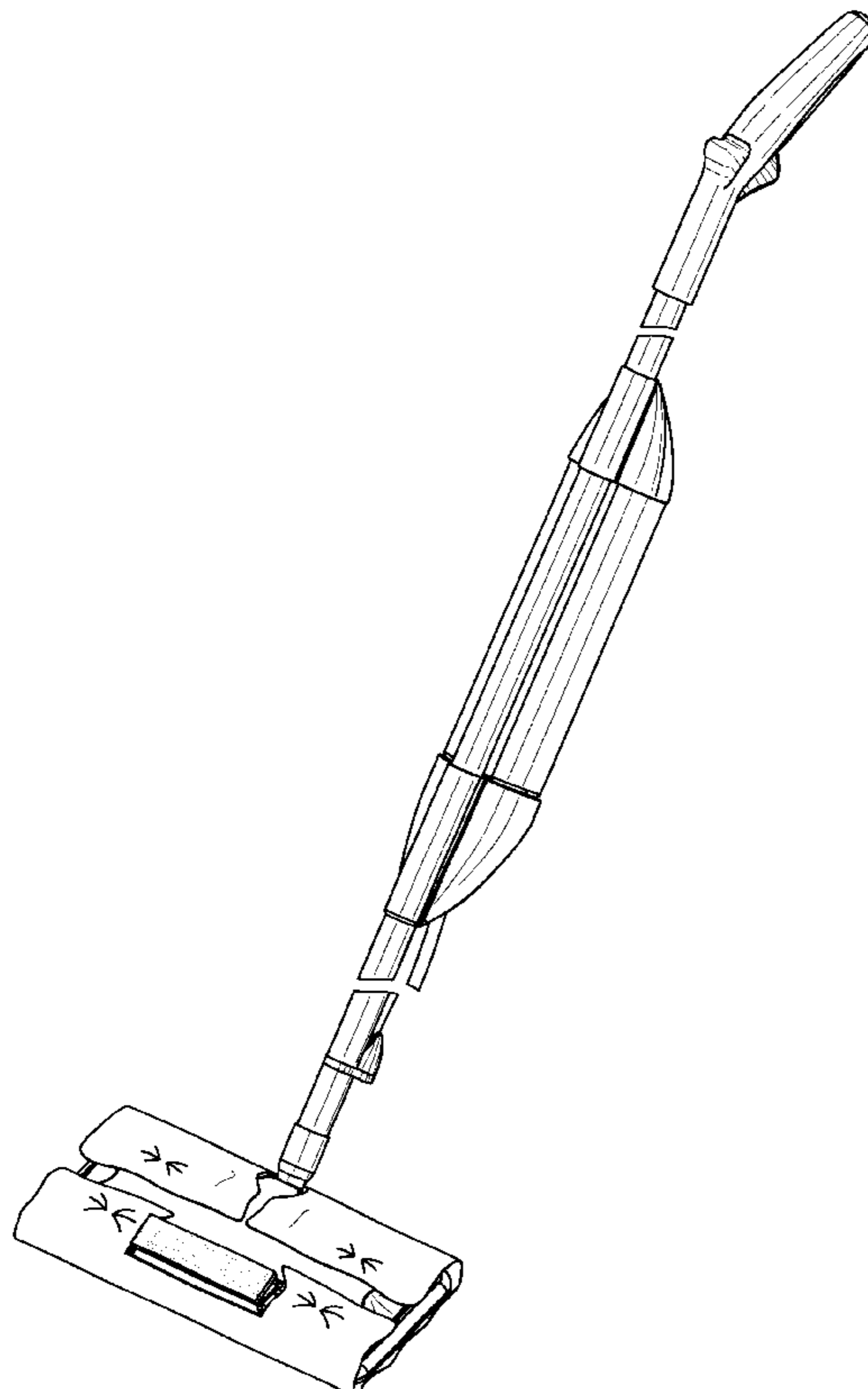
FIG. 7 is a top view of the design of the present invention.

FIG. 8 is a bottom view of the design of the present invention; and,

FIG. 9 is a side view of the design of the present invention.

The portions shown broken away are done so to indicate an unspecified length.

**1 Claim, 7 Drawing Sheets**



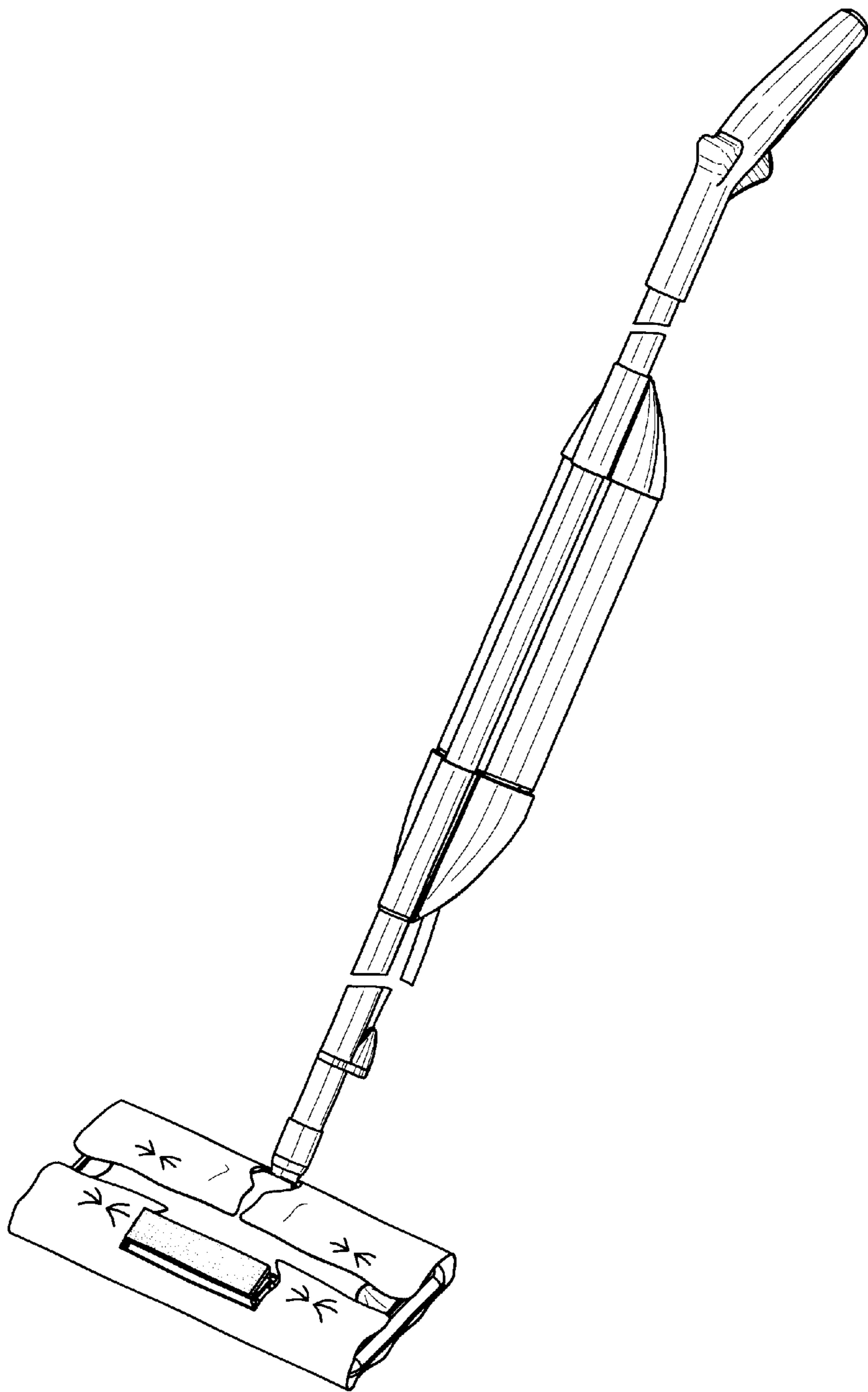


FIG. 1

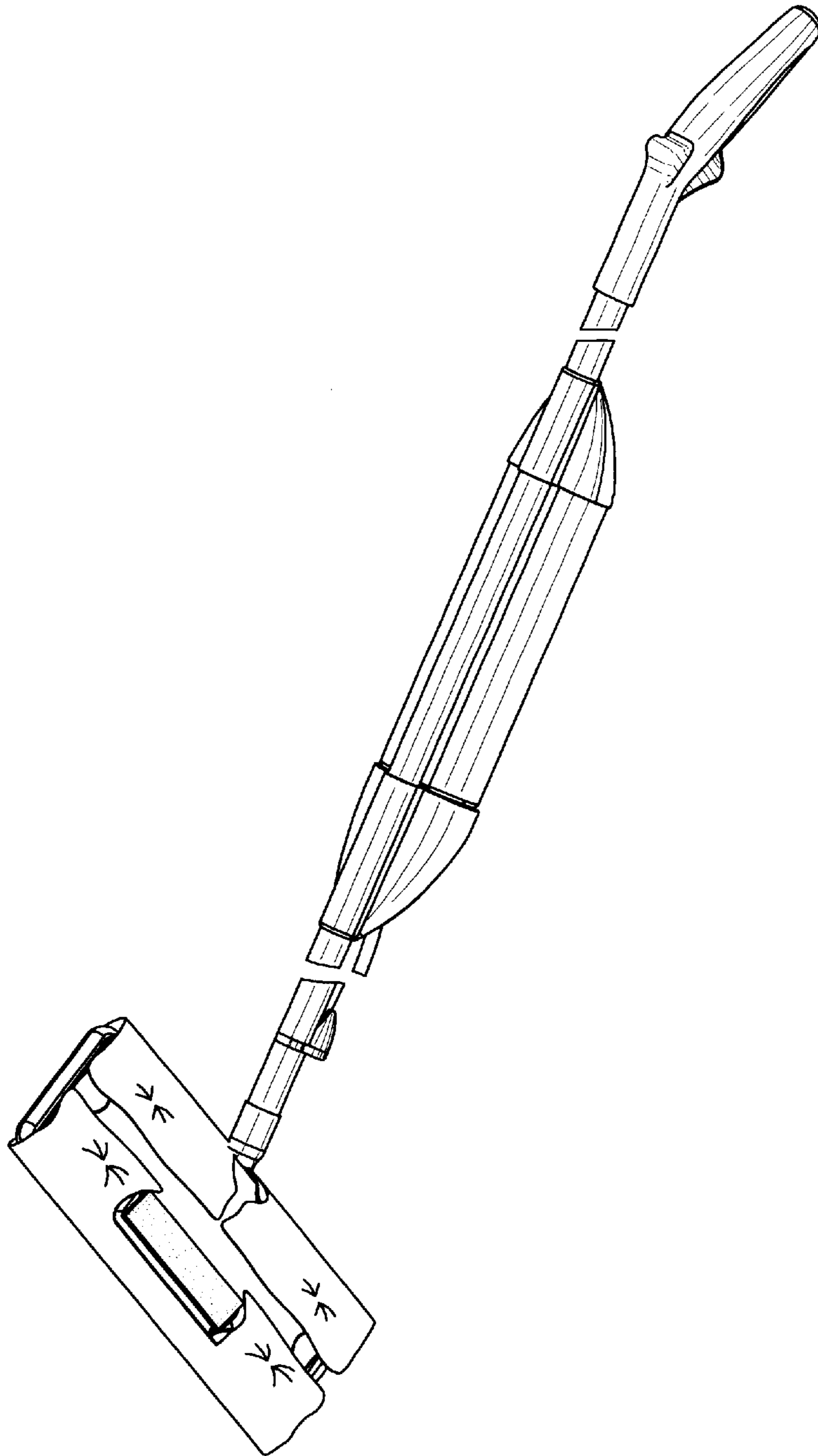


FIG. 2

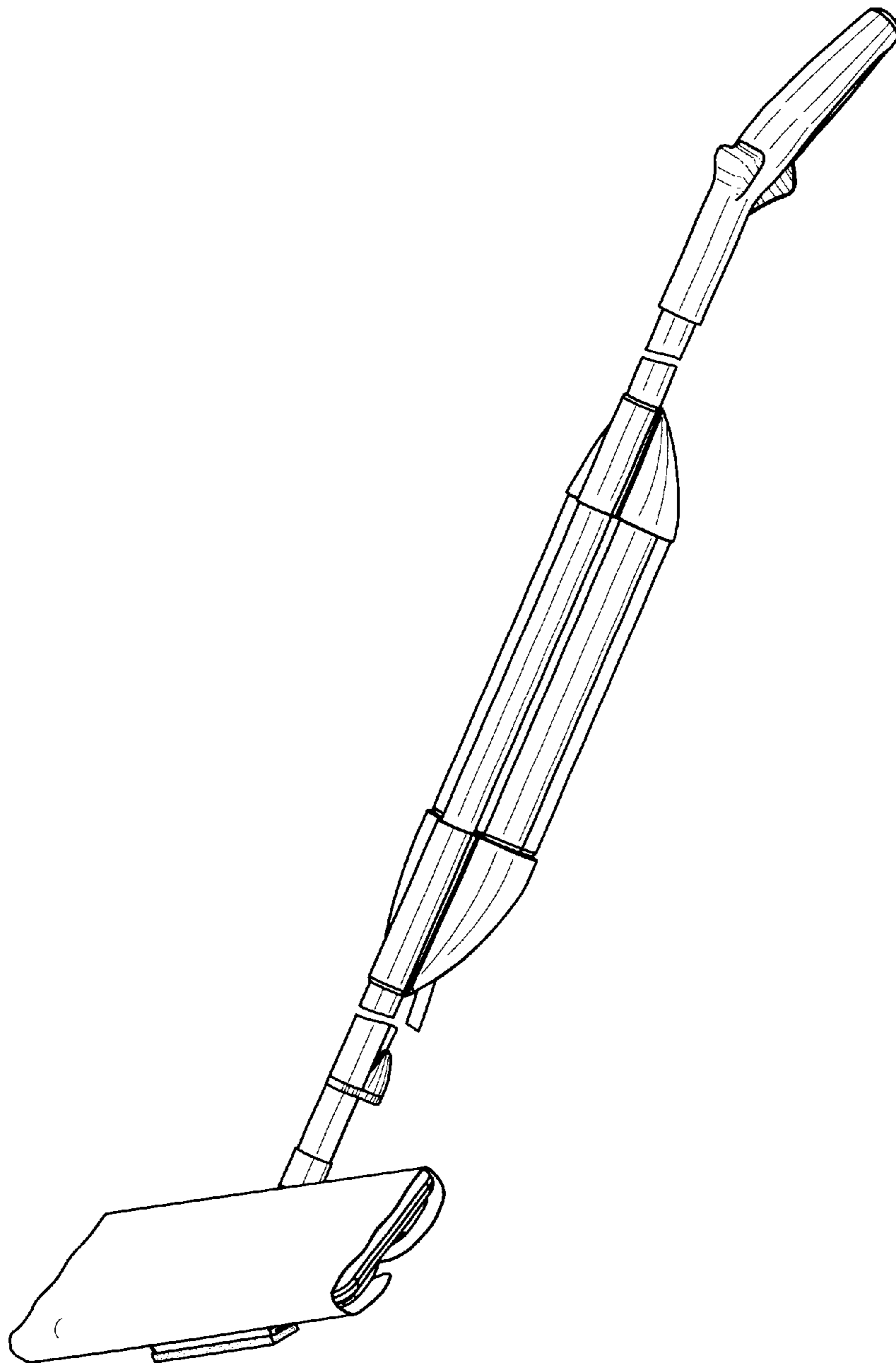


FIG. 3

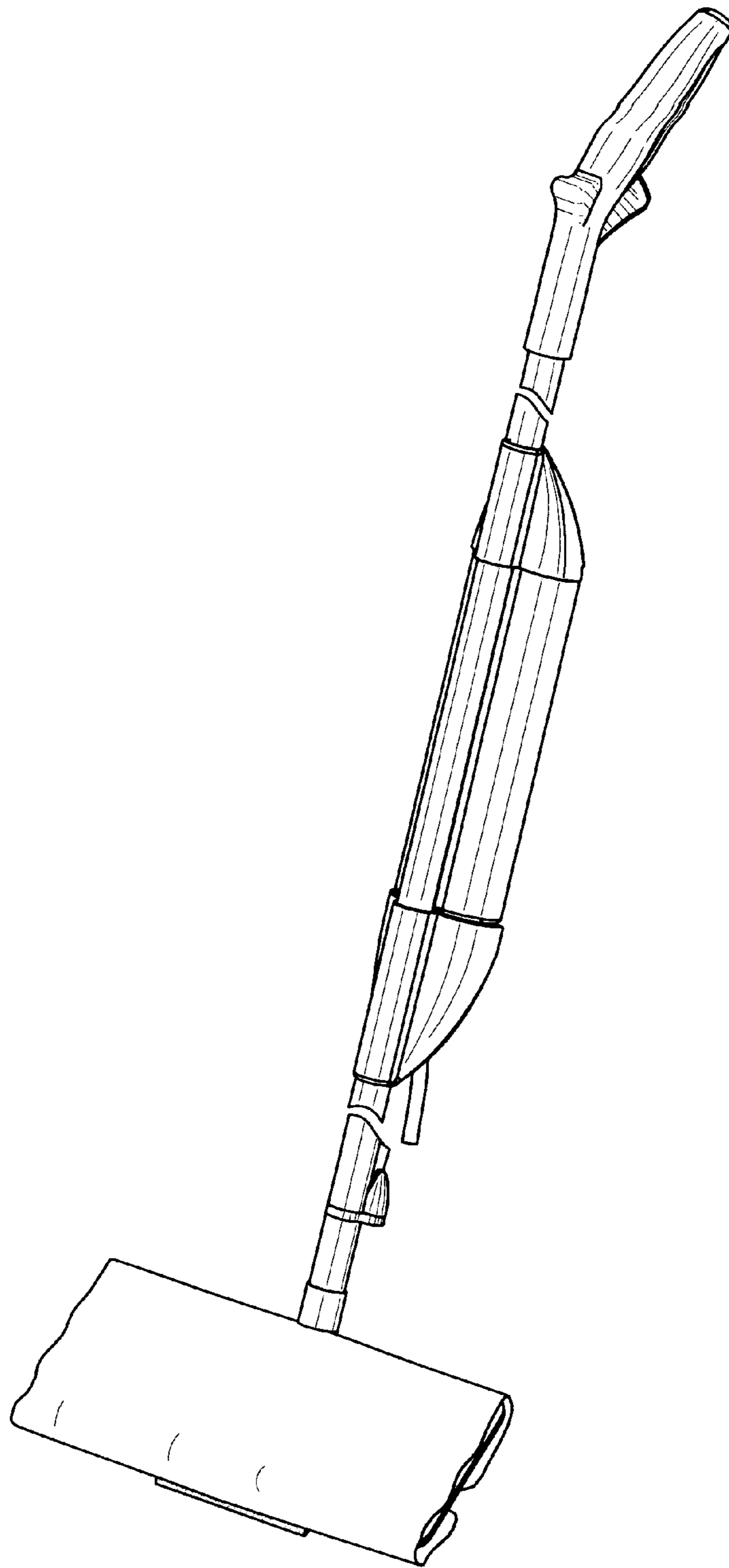


FIG. 4

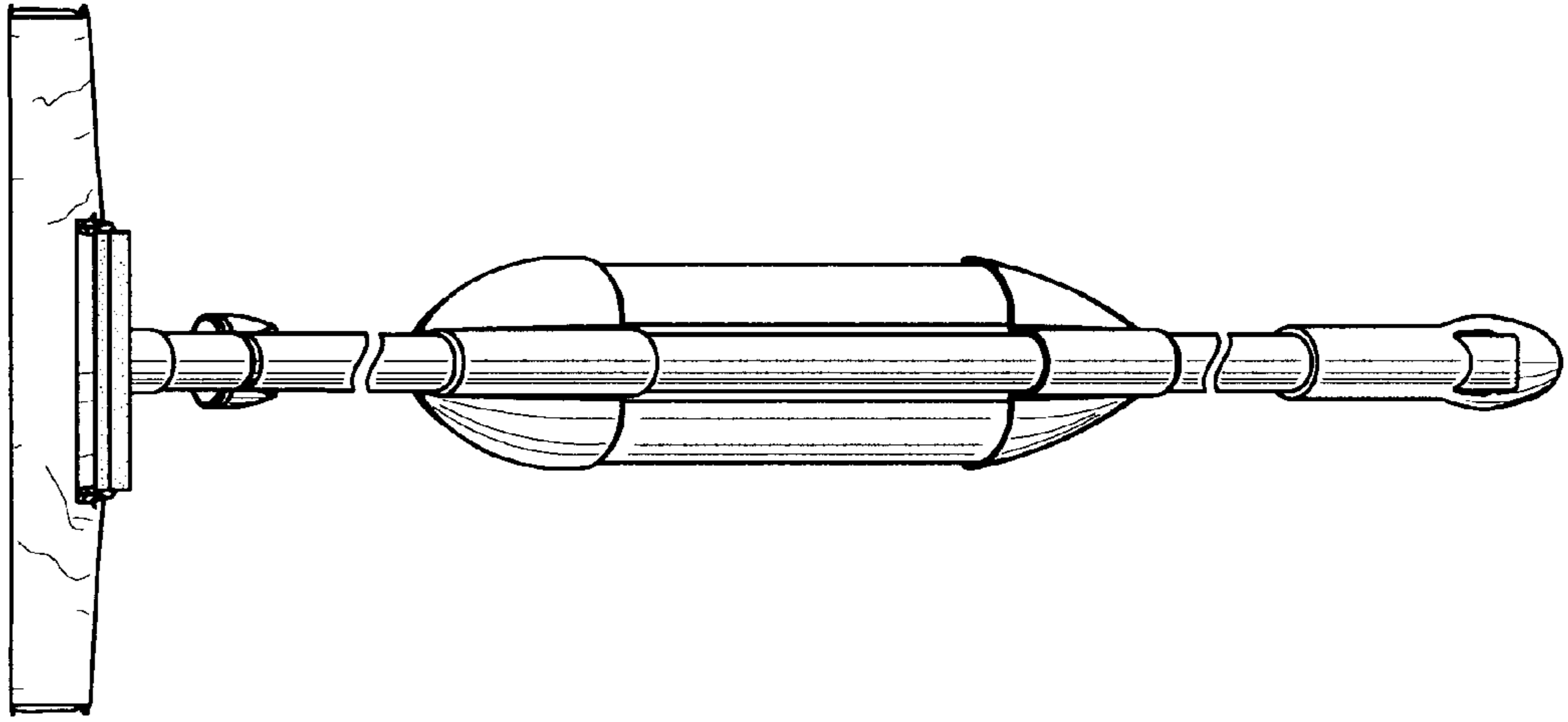


FIG. 5

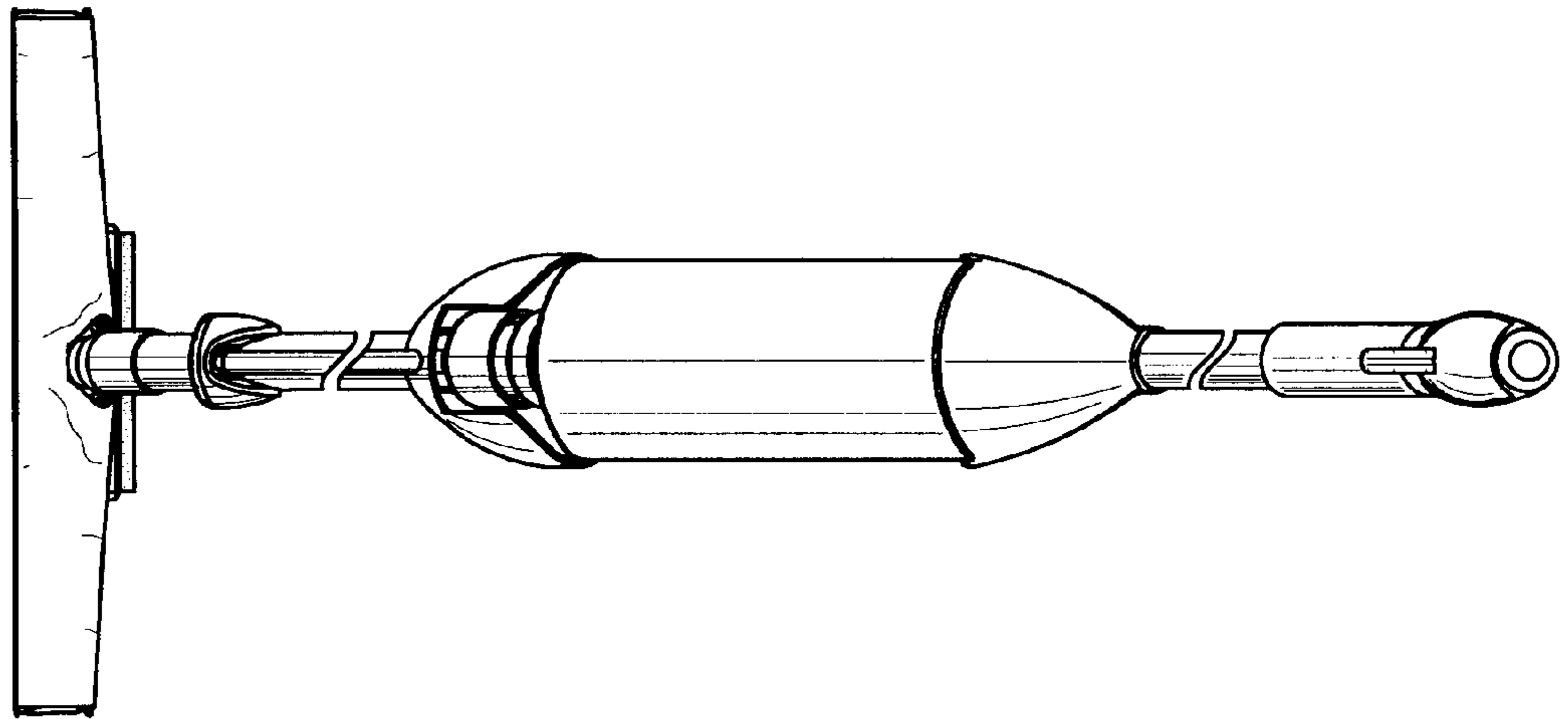


FIG. 6

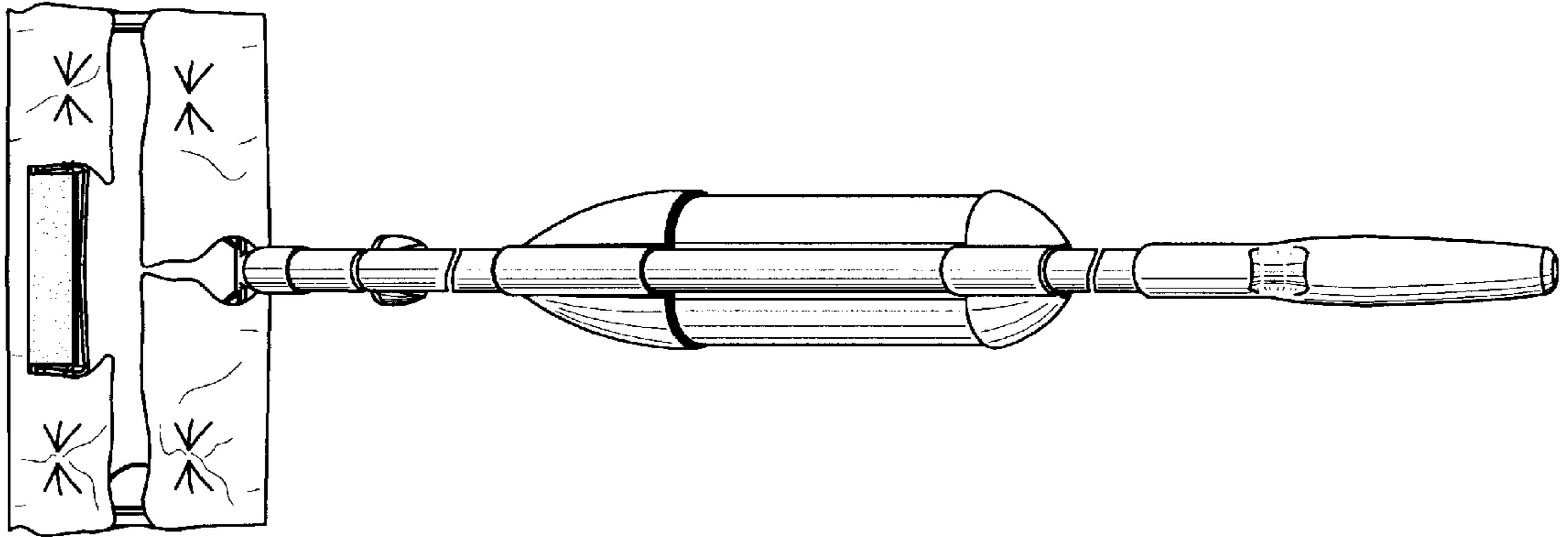


FIG. 7

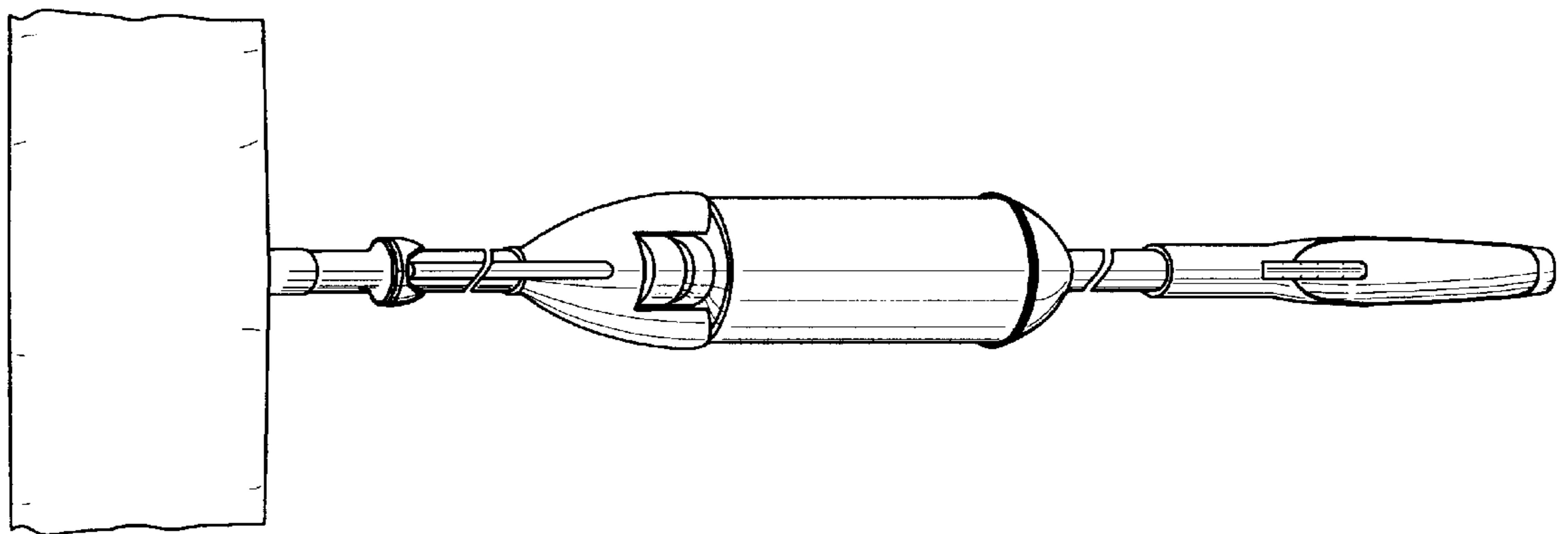


FIG. 8

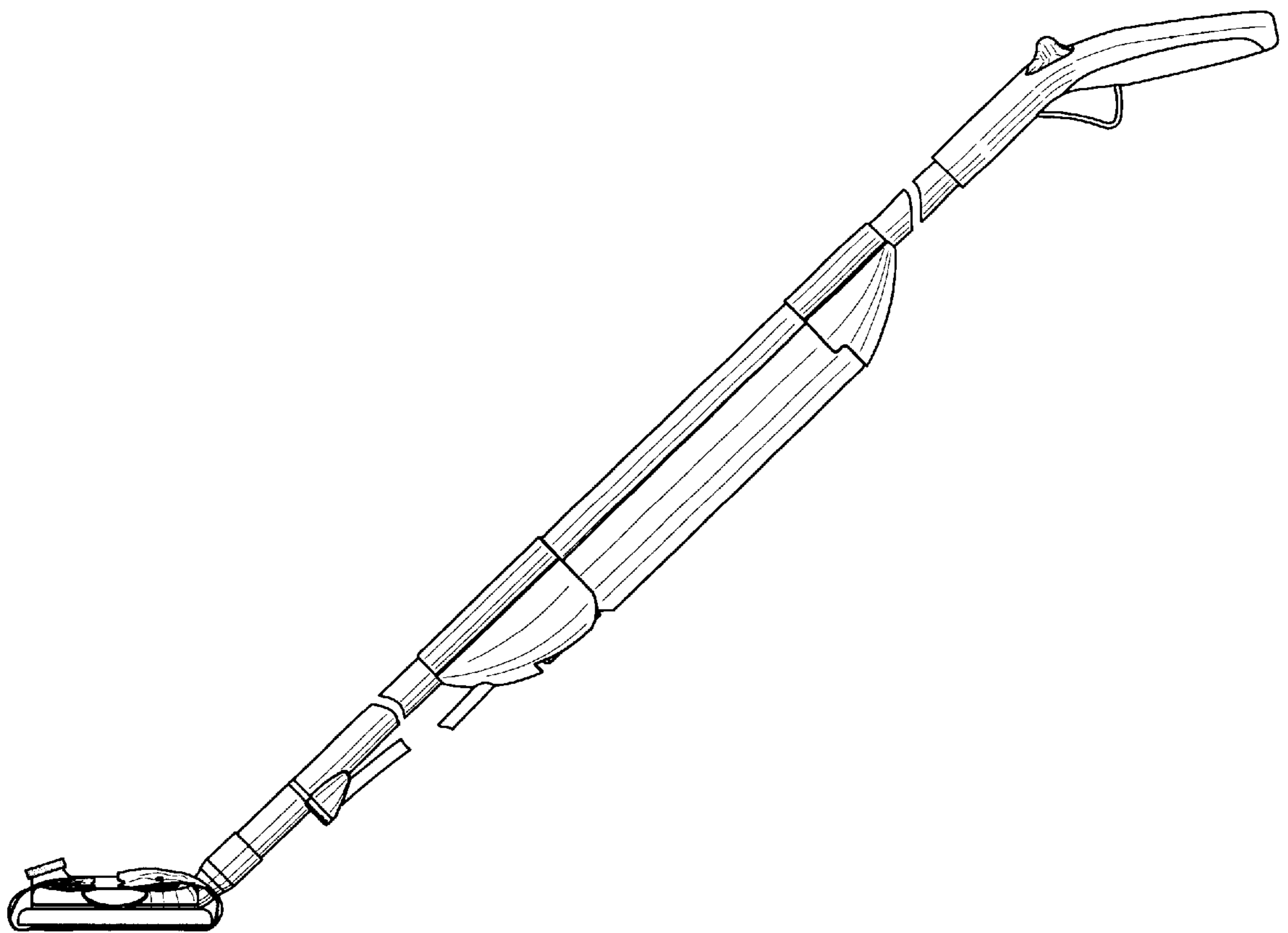


FIG. 9