



US00D482828S

(12) **United States Design Patent**
Storer et al.

(10) **Patent No.:** **US D482,828 S**

(45) **Date of Patent:** **** Nov. 25, 2003**

- (54) **ABRASIVE MEDIA SEPARATOR**
- (75) Inventors: **Ron D. Storer**, Villa Park, CA (US);
Robert A. Robinson, Glenwood, NM (US);
Lance G. Nord, Huntington Beach, CA (US);
Stephen C. McGrady, Hesperia, CA (US)
- (73) Assignee: **Media Blast & Abrasives, Inc.**, Brea, CA (US)
- (**) Term: **14 Years**
- (21) Appl. No.: **29/164,688**
- (22) Filed: **Jul. 29, 2002**
- (51) **LOC (7) Cl.** **15-05**
- (52) **U.S. Cl.** **D32/21**
- (58) **Field of Search** D32/21-22, 15-16,
D32/30-34, 38-39, 14; 15/347, 350-353,
349, 335, 361; 55/337, 429, DIG. 3, 302,
283, 303; 95/278, 280

- 4,330,400 A 5/1982 Schmidt
- 4,336,040 A 6/1982 Haberi
- 4,348,057 A 9/1982 Parenti et al.
- 4,416,673 A 11/1983 Kirchen et al.
- D274,851 S * 7/1984 Schmitz D32/15
- 4,543,111 A 9/1985 Muller et al.
- 4,655,806 A 4/1987 Bowersox
- 4,657,567 A 4/1987 Callgren et al.
- 4,673,424 A * 6/1987 Range 55/356
- 4,792,382 A 12/1988 Lorenz et al.
- 4,878,927 A 11/1989 Margraf
- 4,984,397 A 1/1991 Van Leeuwen
- 5,089,037 A * 2/1992 Marsolais 55/357
- 5,185,968 A 2/1993 Lyras
- 5,221,300 A 6/1993 Hoogland et al.
- 5,271,751 A 12/1993 Lagler
- D343,706 S * 1/1994 Gurstein D32/21
- 5,584,901 A 12/1996 Bakharev et al.
- 5,690,709 A 11/1997 Barnes
- 5,800,246 A 9/1998 Tomioka
- 5,839,951 A 11/1998 Tomioka
- 5,983,840 A 11/1999 Riccius et al.

(List continued on next page.)

OTHER PUBLICATIONS

Pipe Restoration; User's Manual for Air Filter.

Primary Examiner—Ruth McInroy

(74) *Attorney, Agent, or Firm*—Stetina Brunda Garred & Brucker

(57) **CLAIM**

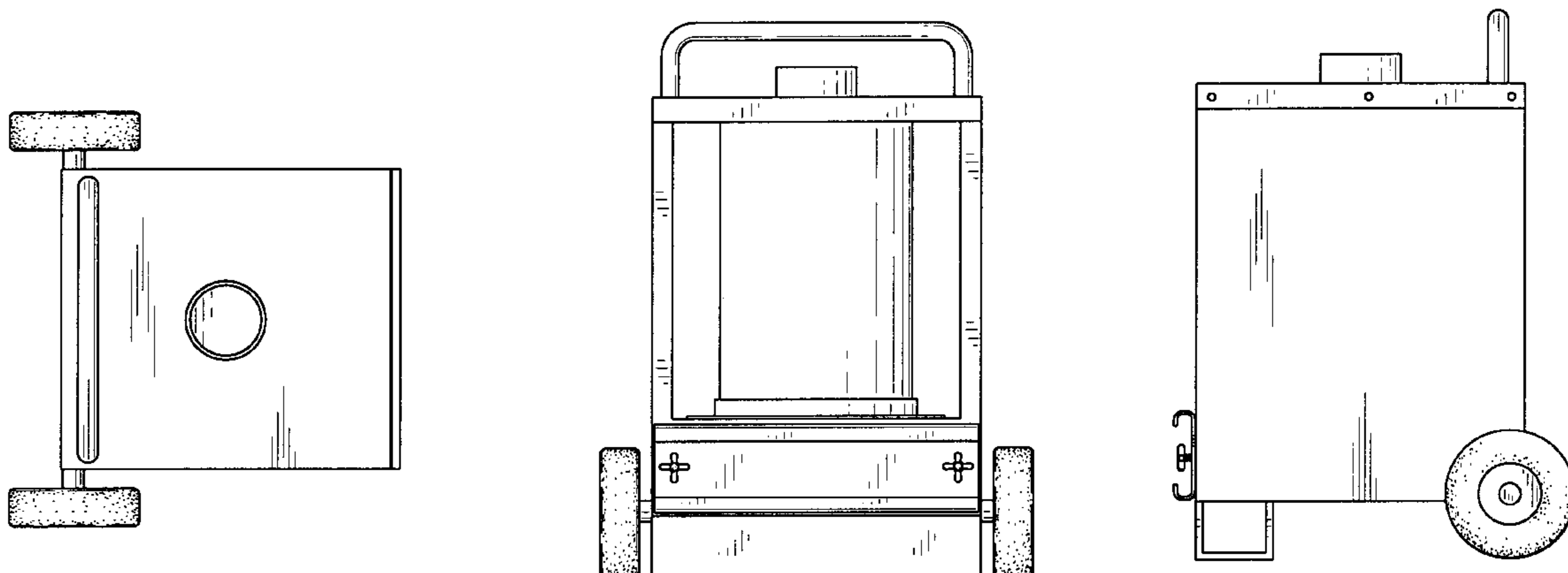
The ornamental design for an abrasive media separator, as shown and described.

DESCRIPTION

FIG. 1 is a top plan view of the abrasive media separator of the present invention showing our new design; FIG. 2 is a right side elevational view thereof; FIG. 3 is a front elevational view thereof; FIG. 4 is a left side elevational view thereof; FIG. 5 is a rear elevational view thereof; and, FIG. 6 is a bottom plan view thereof.

1 Claim, 2 Drawing Sheets

- (56) **References Cited**
- U.S. PATENT DOCUMENTS**
- D239,155 S * 3/1976 Kent et al. D32/16
 - 3,953,184 A 4/1976 Stockford et al.
 - 3,970,437 A 7/1976 Van Diepenbrock et al.
 - 4,026,687 A 5/1977 Berz
 - 4,047,907 A 9/1977 Knutsson et al.
 - 4,099,937 A 7/1978 Ufken et al.
 - 4,140,502 A 2/1979 Margraf
 - 4,144,043 A 3/1979 Johnston
 - 4,156,600 A 5/1979 Jacobson
 - 4,201,256 A 5/1980 Truhan
 - 4,202,142 A 5/1980 Van Fossen
 - 4,223,748 A 9/1980 Barendsen
 - 4,230,468 A 10/1980 Rebours et al.
 - D257,774 S * 1/1981 Pierson D32/21
 - 4,244,715 A 1/1981 Eisenbarth
 - 4,266,673 A 5/1981 Haidlen et al.
 - 4,272,260 A 6/1981 Klein et al.
 - 4,275,531 A 6/1981 Van Fossen
 - 4,285,707 A 8/1981 Pfenninger
 - 4,286,974 A 9/1981 Schminke et al.



US D482,828 S

Page 2

U.S. PATENT DOCUMENTS

6,051,054 A	4/2000	Ahman	6,254,362 B1	7/2001	Higuchi et al.	
6,195,837 B1	3/2001	Vanderlinden	6,319,295 B1	11/2001	Tojner	
6,224,645 B1	5/2001	Rydin et al.	6,521,051 B1 *	2/2003	Lutich	134/21

* cited by examiner

Fig. 1

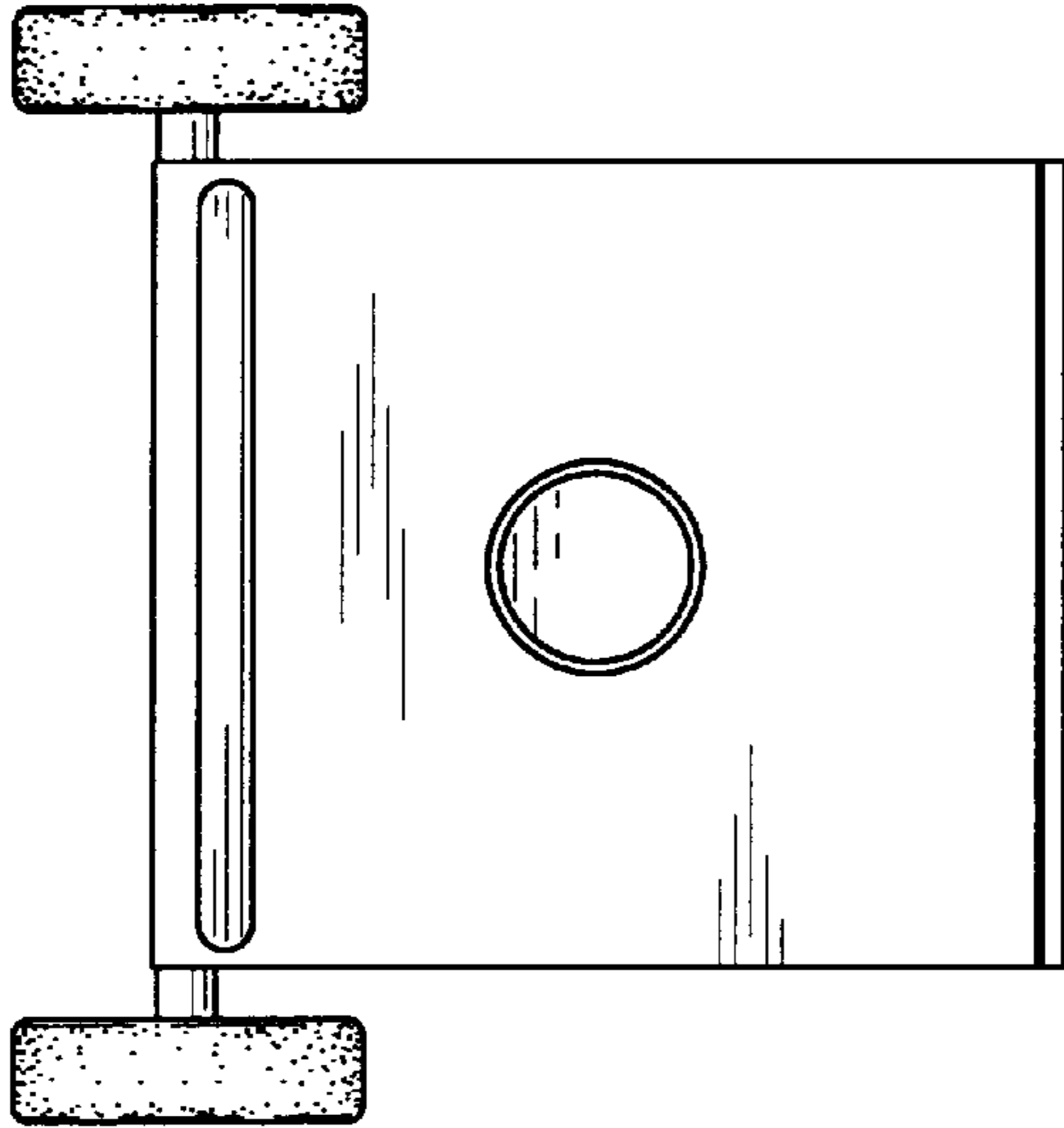


Fig. 2

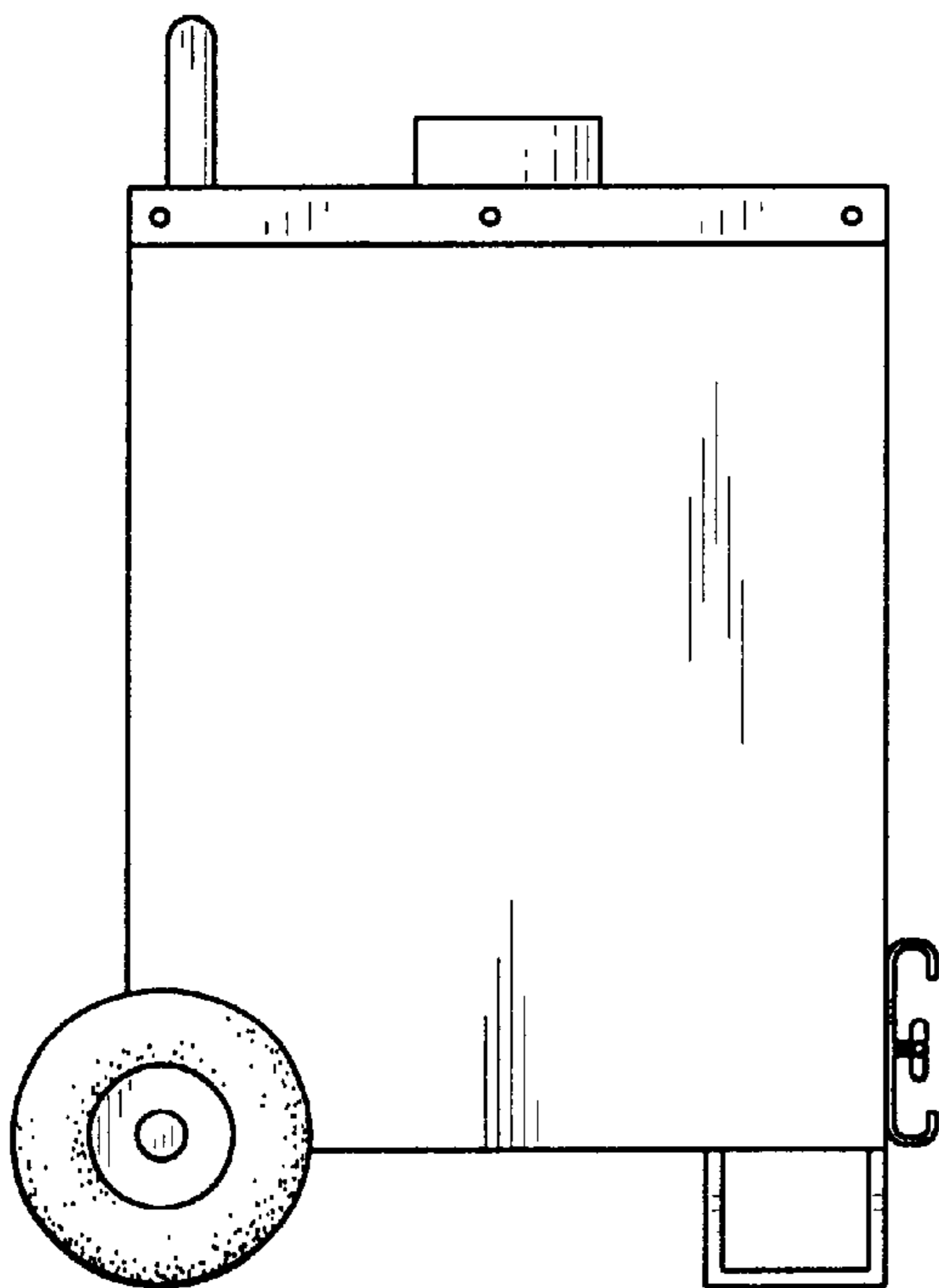


Fig. 3

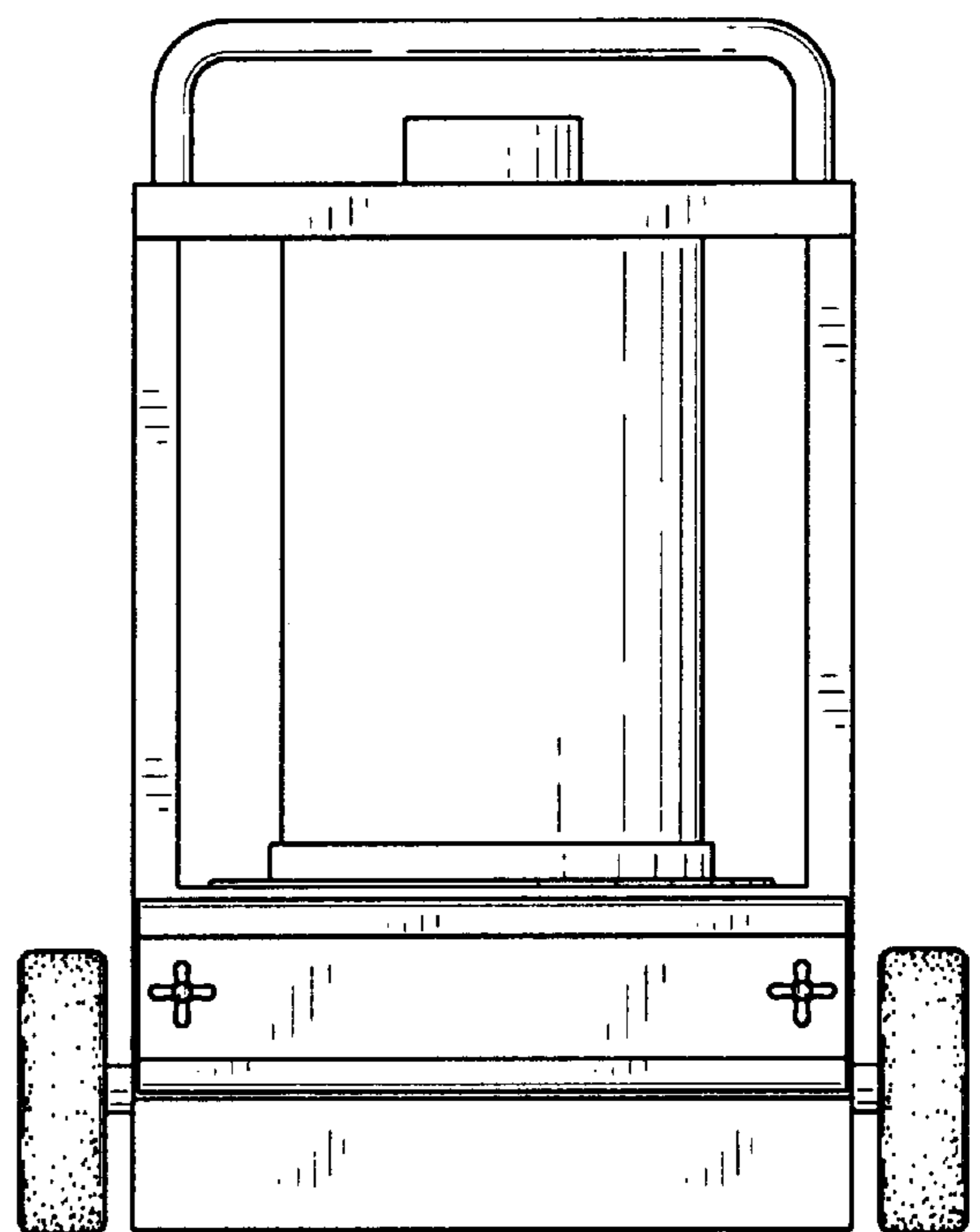


Fig. 4

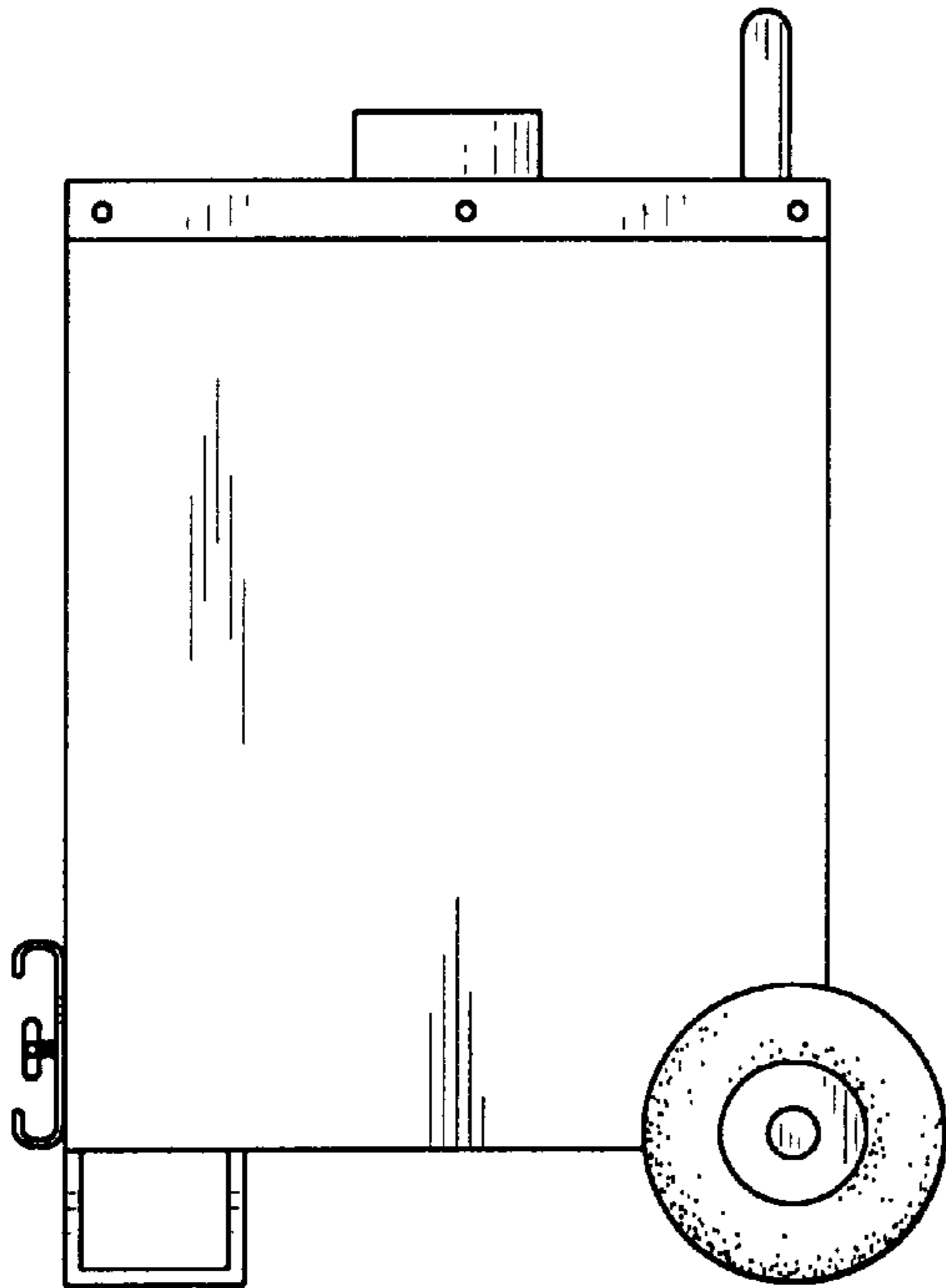


Fig. 5

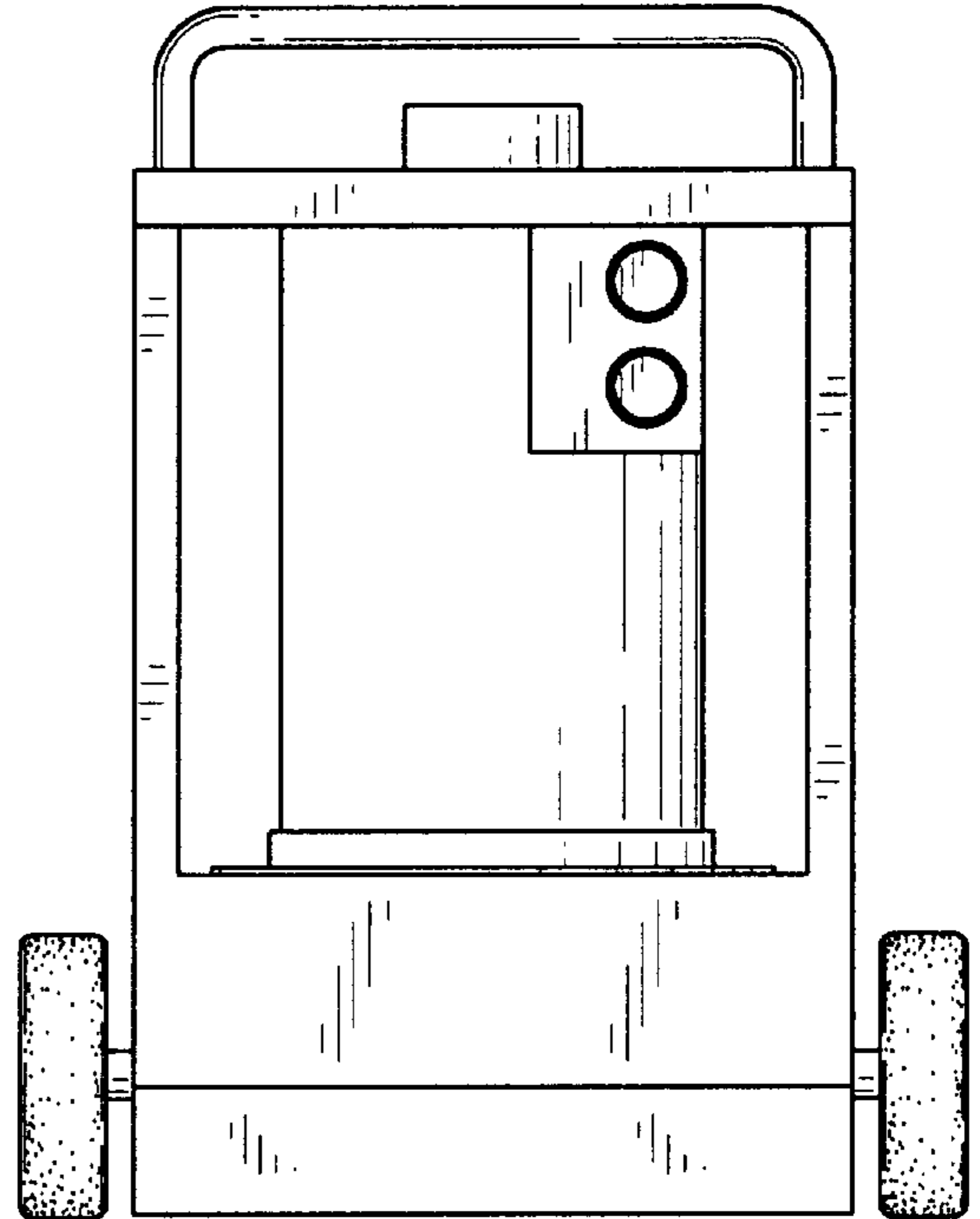


Fig. 6

