



US00D482823S

(12) **United States Design Patent**
Toney

(10) **Patent No.:** **US D482,823 S**

(45) **Date of Patent:** **** Nov. 25, 2003**

(54) **FINGERNAIL AND TOENAIL CLIPPER**

(76) Inventor: **Mark Toney**, 635 Church Rd.,
Grateford, PA (US) 19426

(**) Term: **14 Years**

(21) Appl. No.: **29/174,073**

(22) Filed: **Jan. 10, 2003**

(51) **LOC (7) Cl.** **28-03**

(52) **U.S. Cl.** **D28/60**

(58) **Field of Search** D28/60; 30/27,
30/28, 298; 132/75.3, 75.5, 73.5

(56) **References Cited**

U.S. PATENT DOCUMENTS

| | | | | | | |
|-----------|---|---|---------|-----------|-------|--------|
| 3,997,966 | A | * | 12/1976 | Sartore | | 30/28 |
| D286,091 | S | | 10/1986 | Hill | | D28/60 |
| 5,384,960 | A | * | 1/1995 | Tottenham | | 30/28 |
| D391,026 | S | | 2/1998 | Stubbs | | D28/60 |
| D397,516 | S | | 8/1998 | Ishida | | D28/60 |
| D439,375 | S | | 3/2001 | Socarras | | D28/60 |
| D459,549 | S | * | 6/2002 | Savoie | | D28/60 |

* cited by examiner

Primary Examiner—Jennifer Rivard

(74) *Attorney, Agent, or Firm*—Goldstein & Lavas, P.C

(57) **CLAIM**

The ornamental design for a fingernail and toenail clipper, as shown and described.

DESCRIPTION

FIG. 1 is a perspective view of a fingernail and toenail clipper with the clipper arm in the raised position for cutting the nails.

FIG. 2 is a front elevational view thereof.

FIG. 3 is a rear elevational view thereof.

FIG. 4 is a left side elevational view thereof.

FIG. 5 is a right side elevational view thereof.

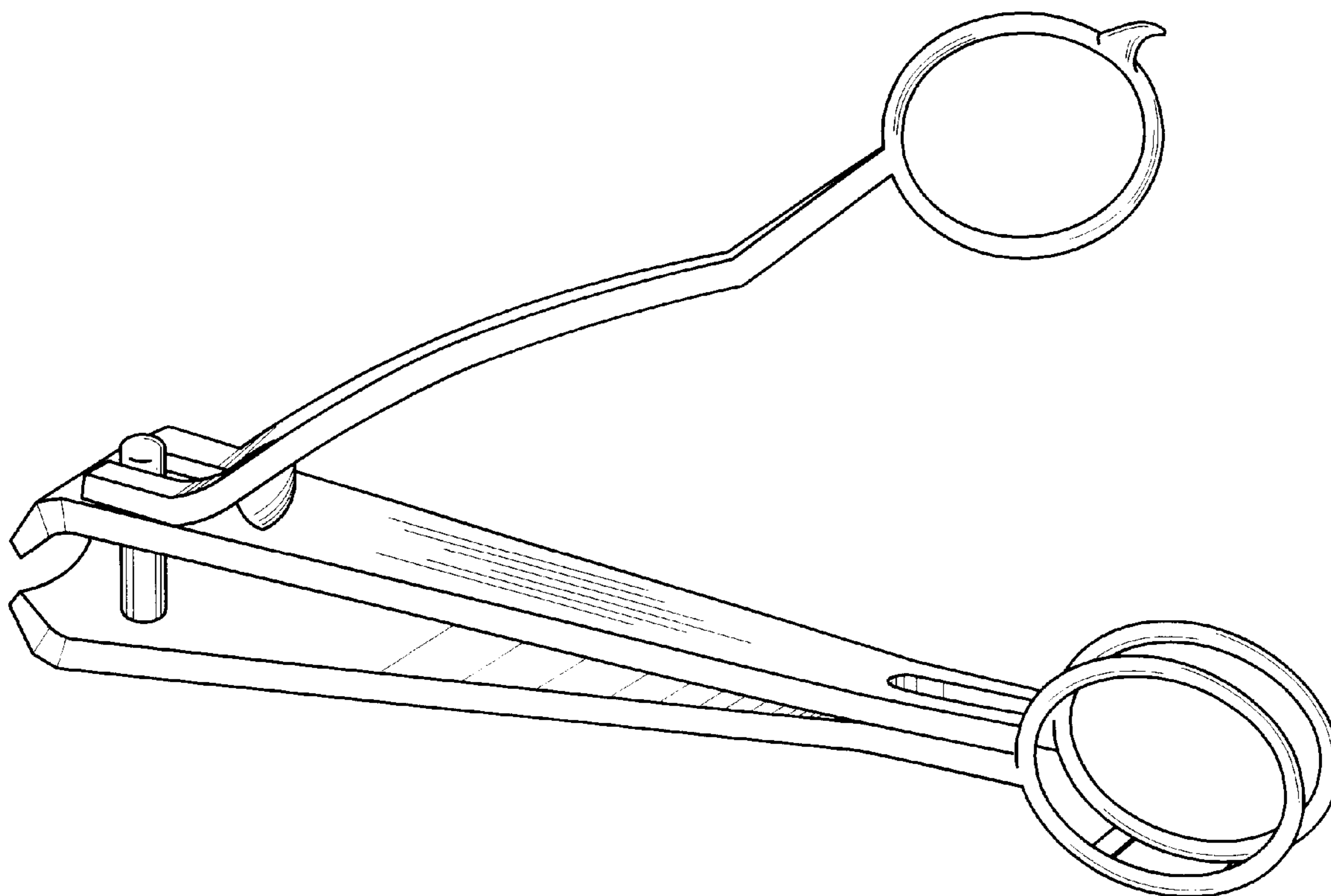
FIG. 6 is a top plan view thereof.

FIG. 7 is a bottom plan view thereof.

FIG. 8 is a left side elevational view of the fingernail and toenail clipper with the clipper arm in a collapsed position; and,

FIG. 9 is a top plan view thereof.

1 Claim, 5 Drawing Sheets



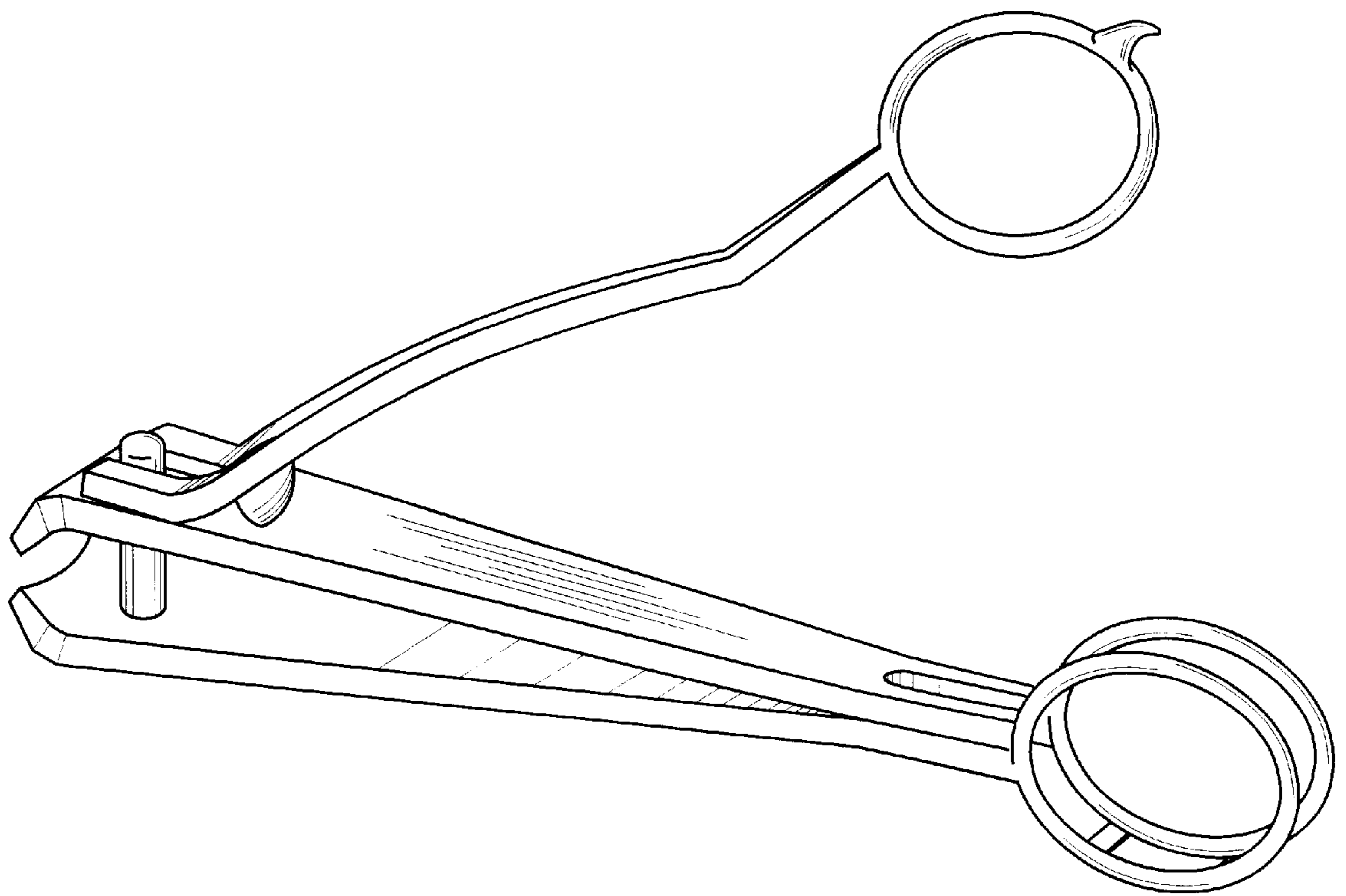


FIG. 1

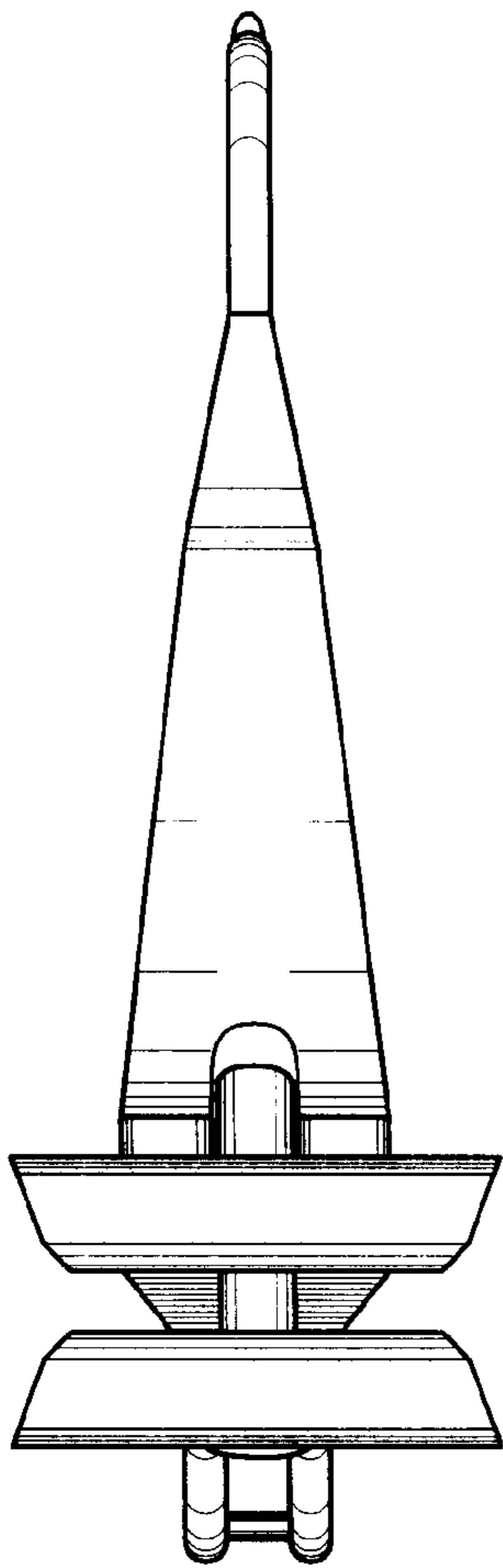


FIG. 2

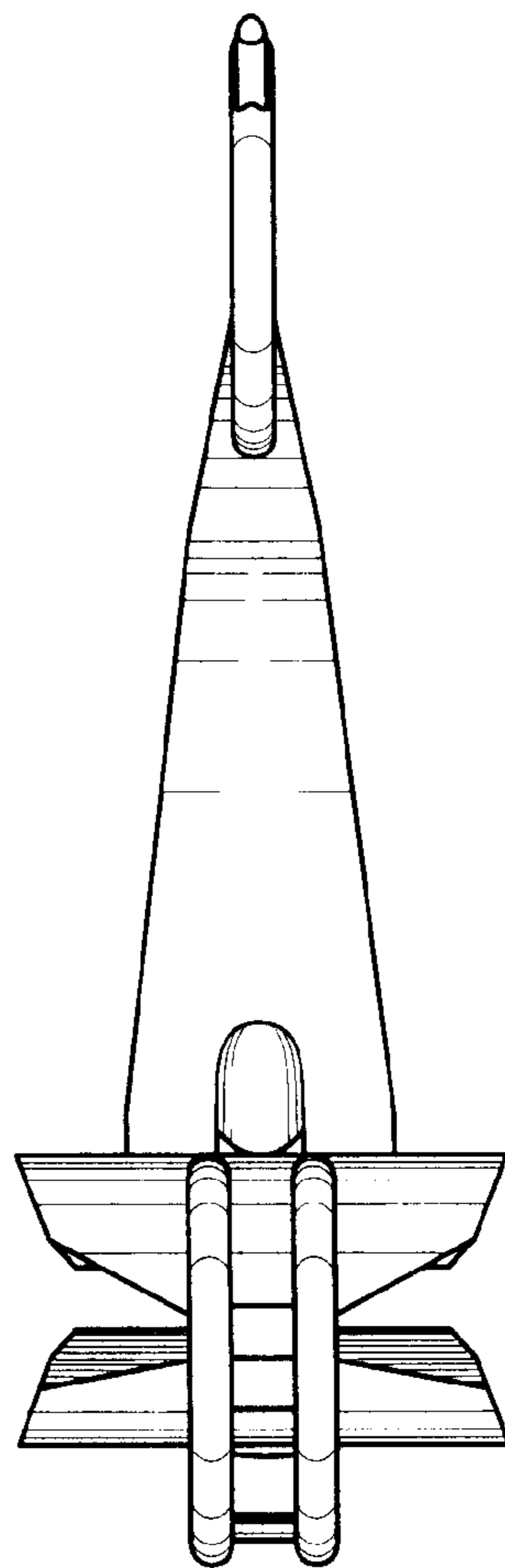


FIG. 3

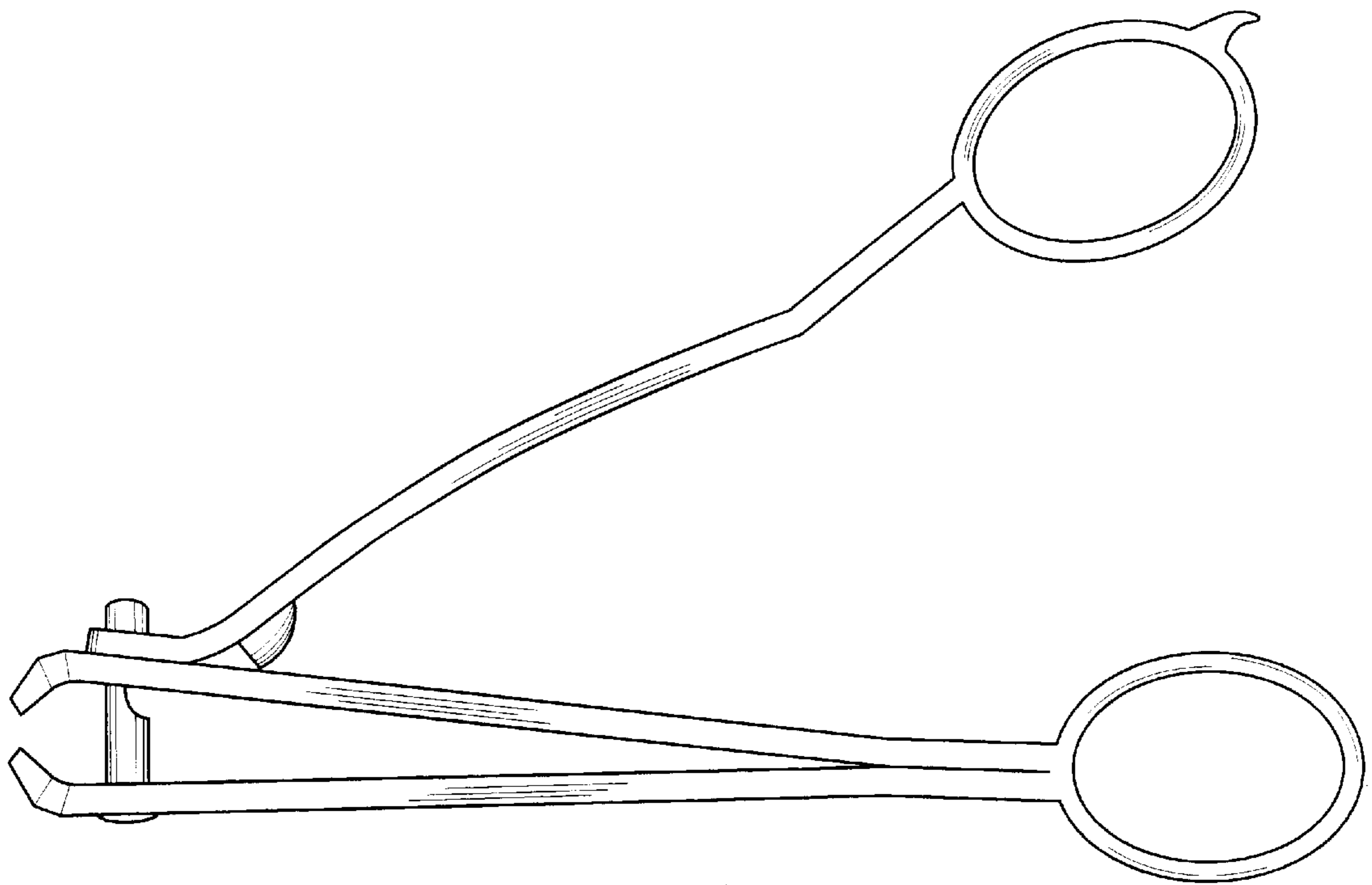


FIG. 4

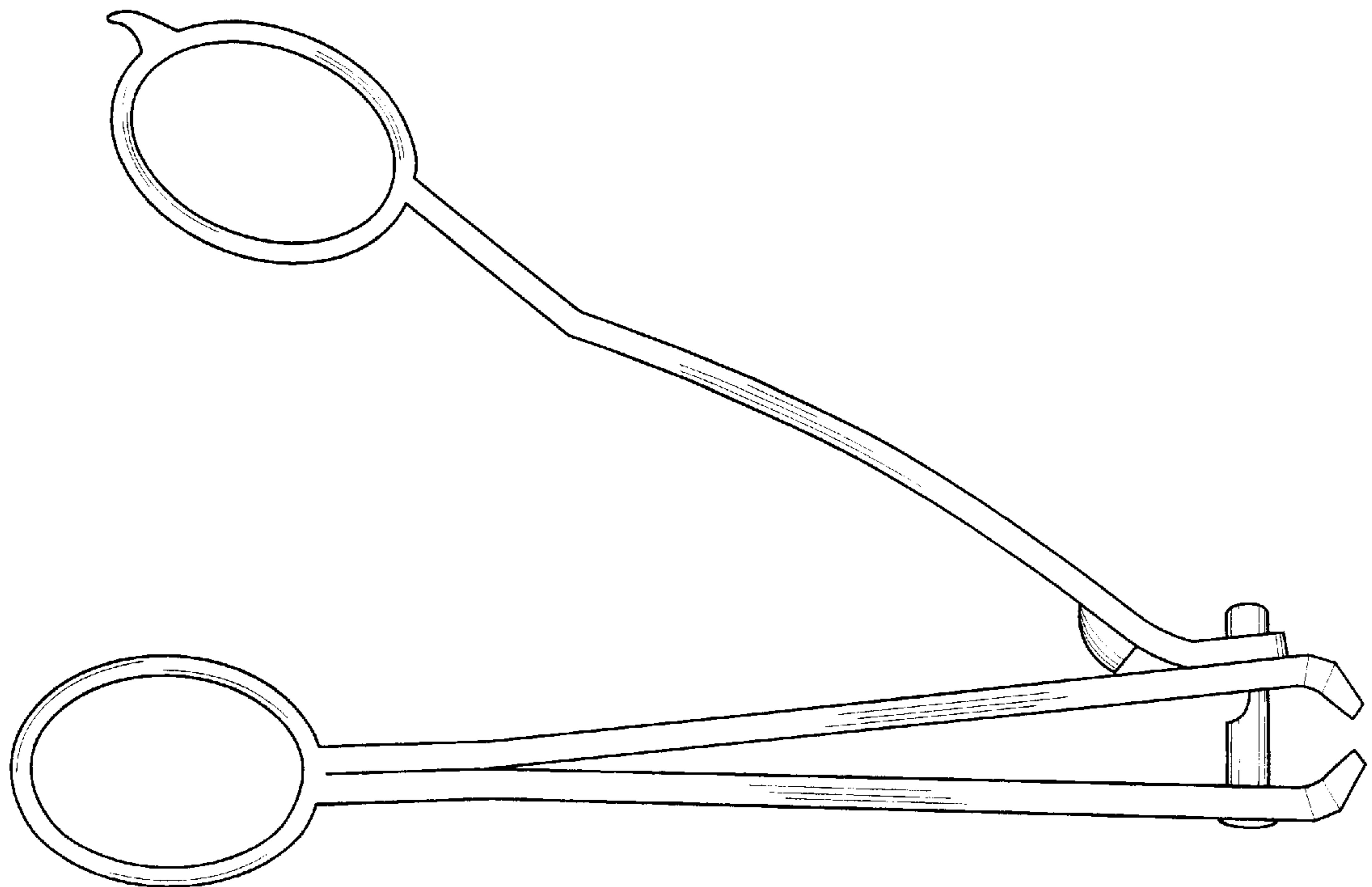


FIG. 5

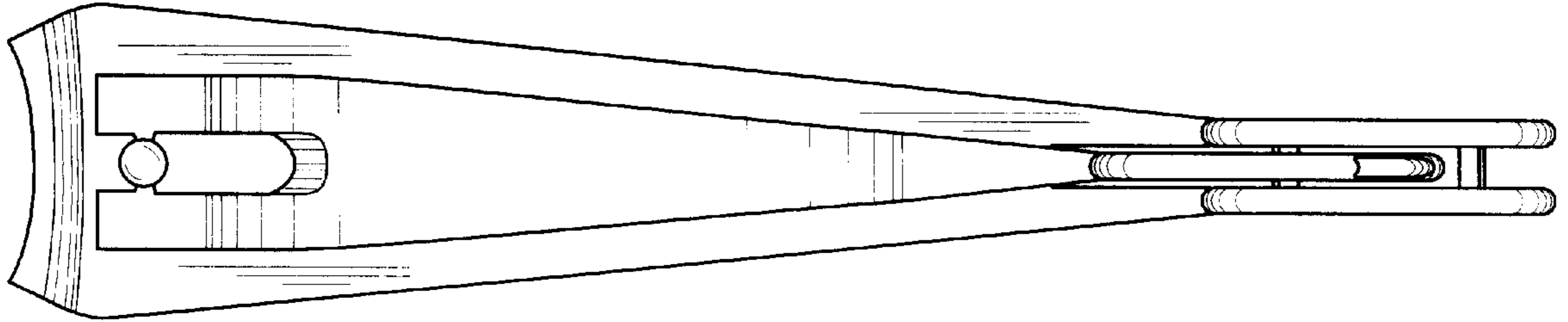


FIG. 6

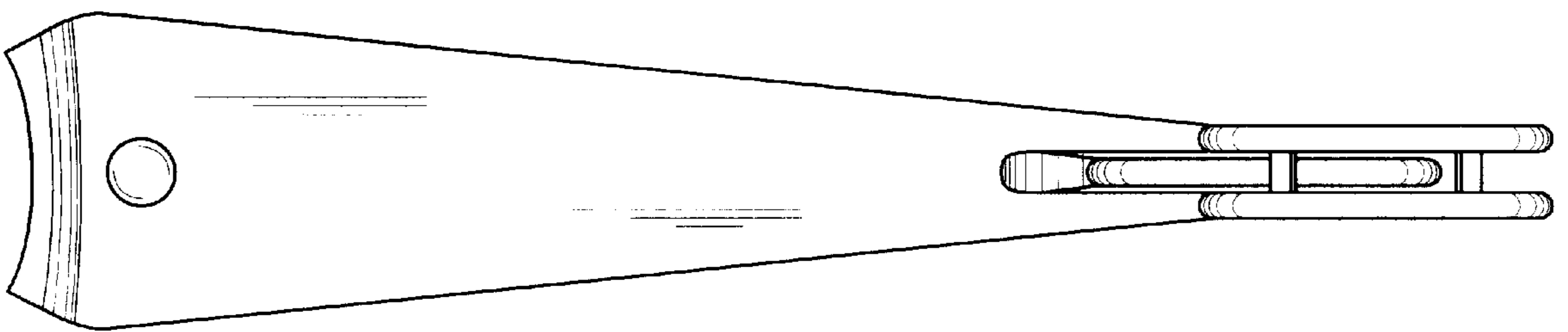


FIG. 7

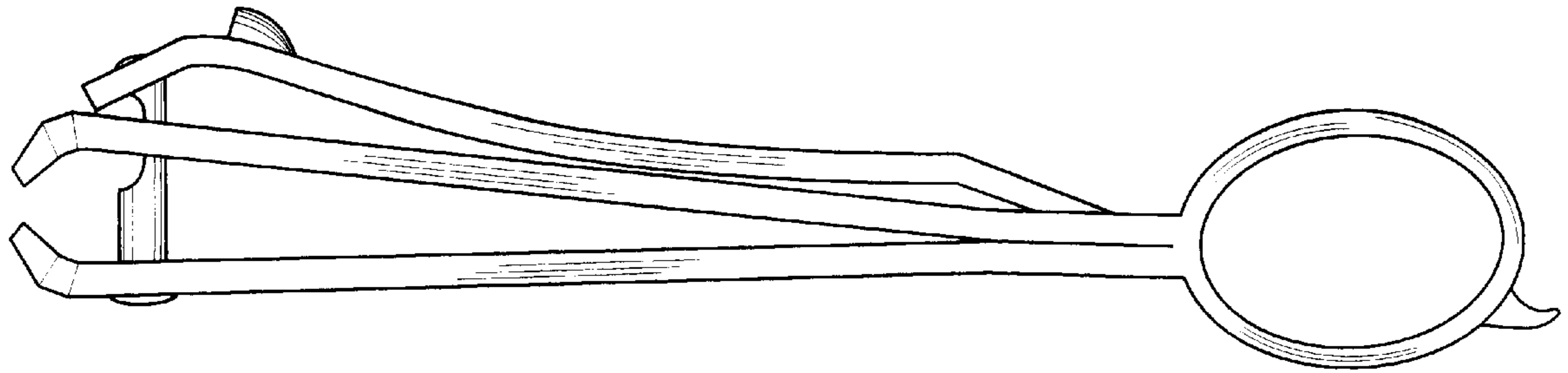


FIG. 8

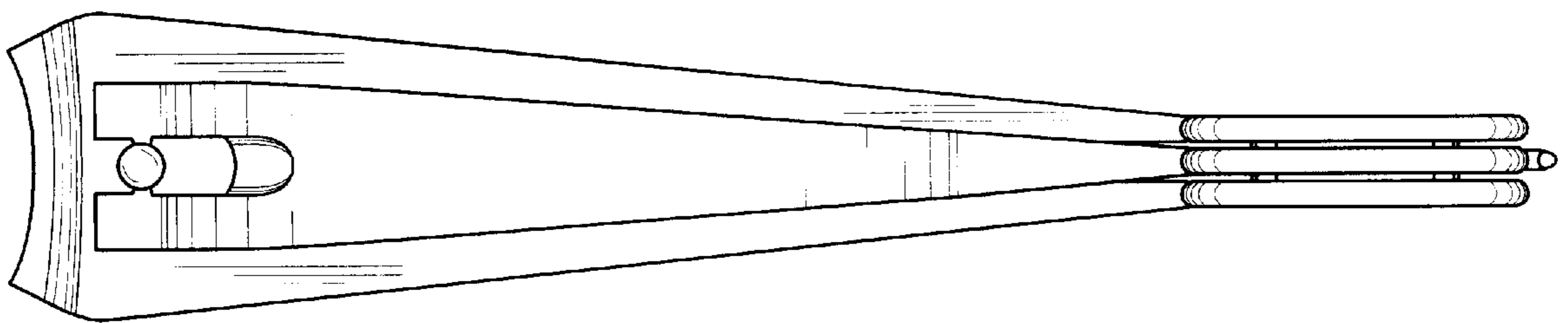


FIG. 9