



US00D482819S

(12) **United States Design Patent**  
**Enriquez**

(10) **Patent No.:** **US D482,819 S**

(45) **Date of Patent:** **\*\* Nov. 25, 2003**

(54) **ELECTRIC HAIR DRYER**

D446,350 S 8/2001 Picozza

(75) Inventor: **Ruben Enriquez**, El Paso, TX (US)

**OTHER PUBLICATIONS**

(73) Assignee: **Courtesy Products, LLC**, St. Louis, MO (US)

Evans Catalog, 1988/1989, p. 204, Oster Wall-Mount Hair Dryer, item #4.\*

(\*\*) Term: **14 Years**

“JUST ONE. The Sunbeam® BrightSaver® Hairdryer/Nightlight” catalog sheet. ©1998 Sunbeam Products, Inc. Two pages of sales literature showing Voyager Wall Mounted Hairdryer Item #1002500; Voyager Wall Mounted Hairdryer w/.Nightlight Item #13002505; and Voyager Hand-Held Hairdryer item #13002510, printed from the internet Jun. 16, 2001.

(21) Appl. No.: **29/170,734**

(22) Filed: **Nov. 12, 2002**

(51) **LOC (7) Cl.** ..... **28-03**

(52) **U.S. Cl.** ..... **D28/13; D28/15**

(58) **Field of Search** ..... D28/12-19; 34/96-101, 34/201; 392/380, 383, 384, 385

\* cited by examiner

*Primary Examiner*—Lucy Lieberman

(74) *Attorney, Agent, or Firm*—Thompson Coburn LLP

(56) **References Cited**

(57) **CLAIM**

**U.S. PATENT DOCUMENTS**

The ornamental design for an electric hair dryer, as shown and described.

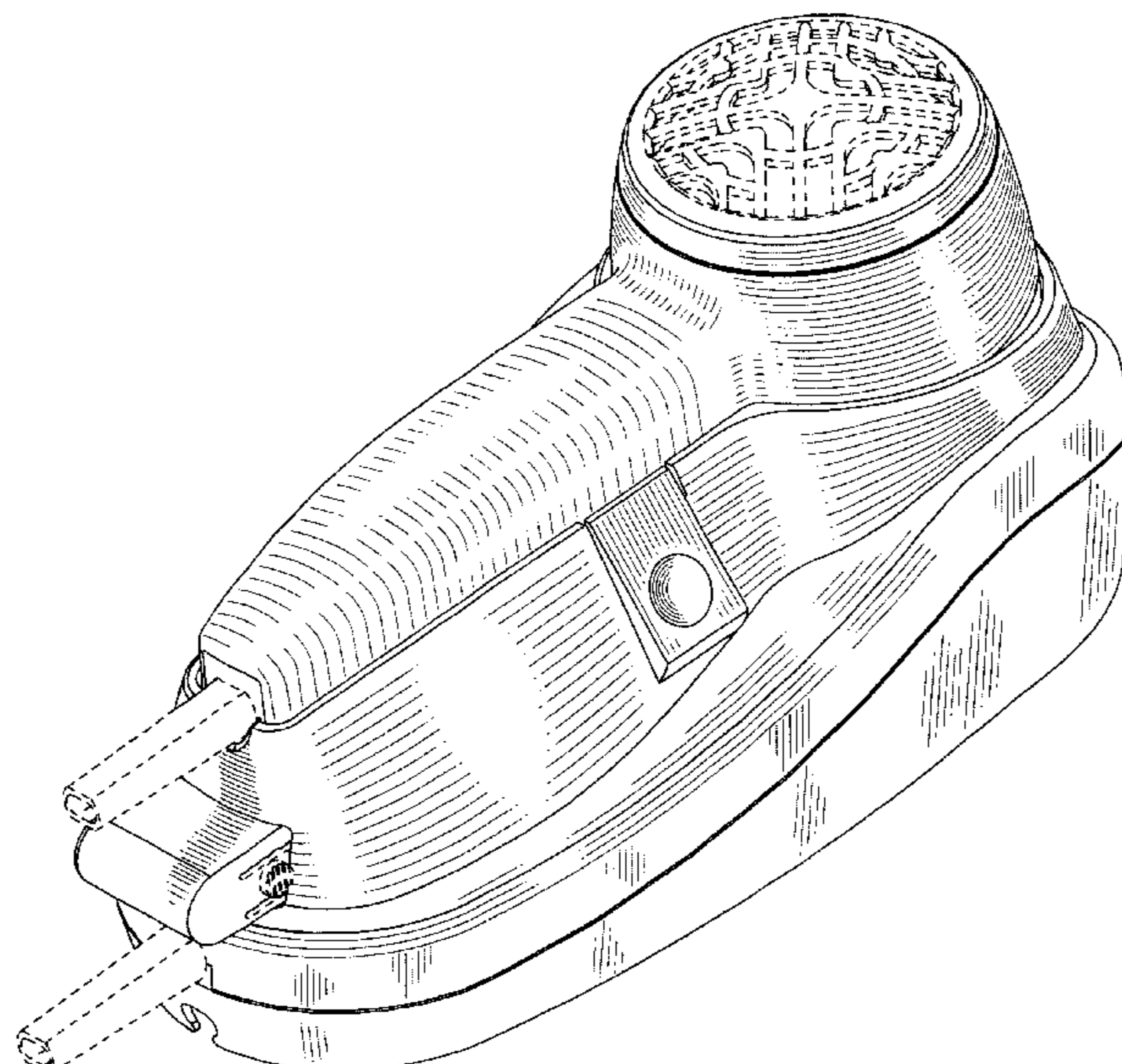
D253,253 S	10/1979	Rakocy	
D254,328 S	2/1980	Benty	
D260,302 S	8/1981	Lacey	
D261,563 S	10/1981	Lee	
D265,136 S	6/1982	Madl	
D265,137 S	6/1982	Long	
D276,660 S	* 12/1984	Glicksman	..... D28/15
4,493,975 A	* 1/1985	Yamamoto	..... 392/384
D280,851 S	10/1985	Muller et al.	
D286,924 S	11/1986	Muller	
4,659,907 A	4/1987	Andis et al.	
D290,221 S	* 6/1987	Wilson et al.	..... D8/71
D345,818 S	4/1994	Froidevaux	
5,351,417 A	* 10/1994	Rubin	..... 34/90
D372,189 S	7/1996	Andis et al.	
5,568,691 A	10/1996	Rubin	
5,590,475 A	* 1/1997	Andis	..... 34/97
6,026,590 A	2/2000	Picozza et al.	
D427,726 S	* 7/2000	Cruz et al.	..... D28/73
RE36,995 E	12/2000	Andis	
D436,690 S	* 1/2001	Cruz et al.	..... D28/13

**DESCRIPTION**

FIG. 1 is a perspective view of an electric hair dryer of the present invention showing my new design;  
FIG. 2 is a front elevational view of the electric hair dryer of FIG. 1;  
FIG. 3 is a left side elevational view of the electric hair dryer of FIG. 1, the right side elevational view being a mirror image thereof;  
FIG. 4 is a top plan view of the electric hair dryer of FIG. 1; and,  
FIG. 5 is a bottom plan view of the electric hair dryer of FIG. 1.

Subject matter shown in broken lines represents environment and does not form a part of the claimed design. The rear elevational view forms no part of the claimed design.

**1 Claim, 5 Drawing Sheets**



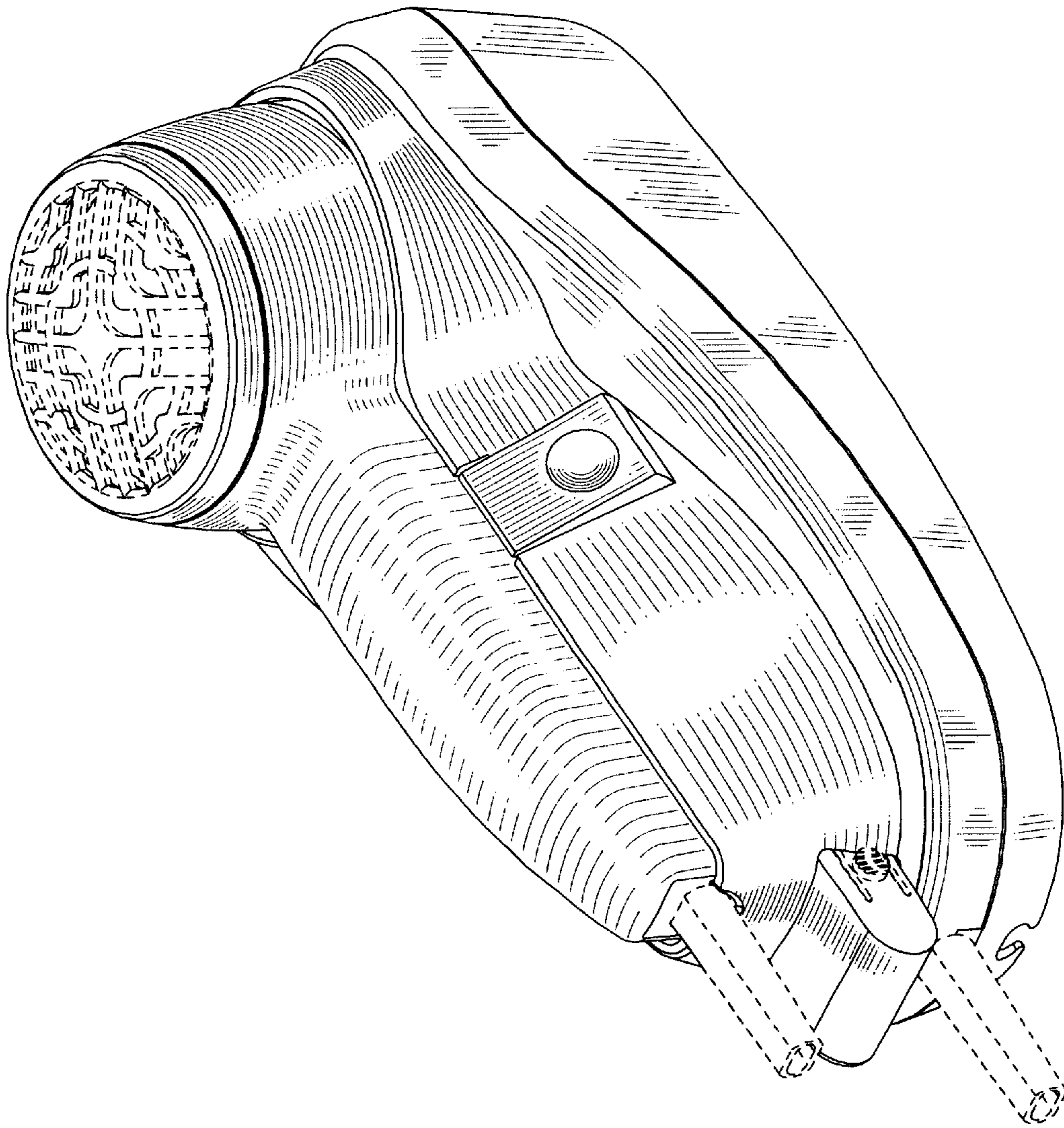


Fig. 1

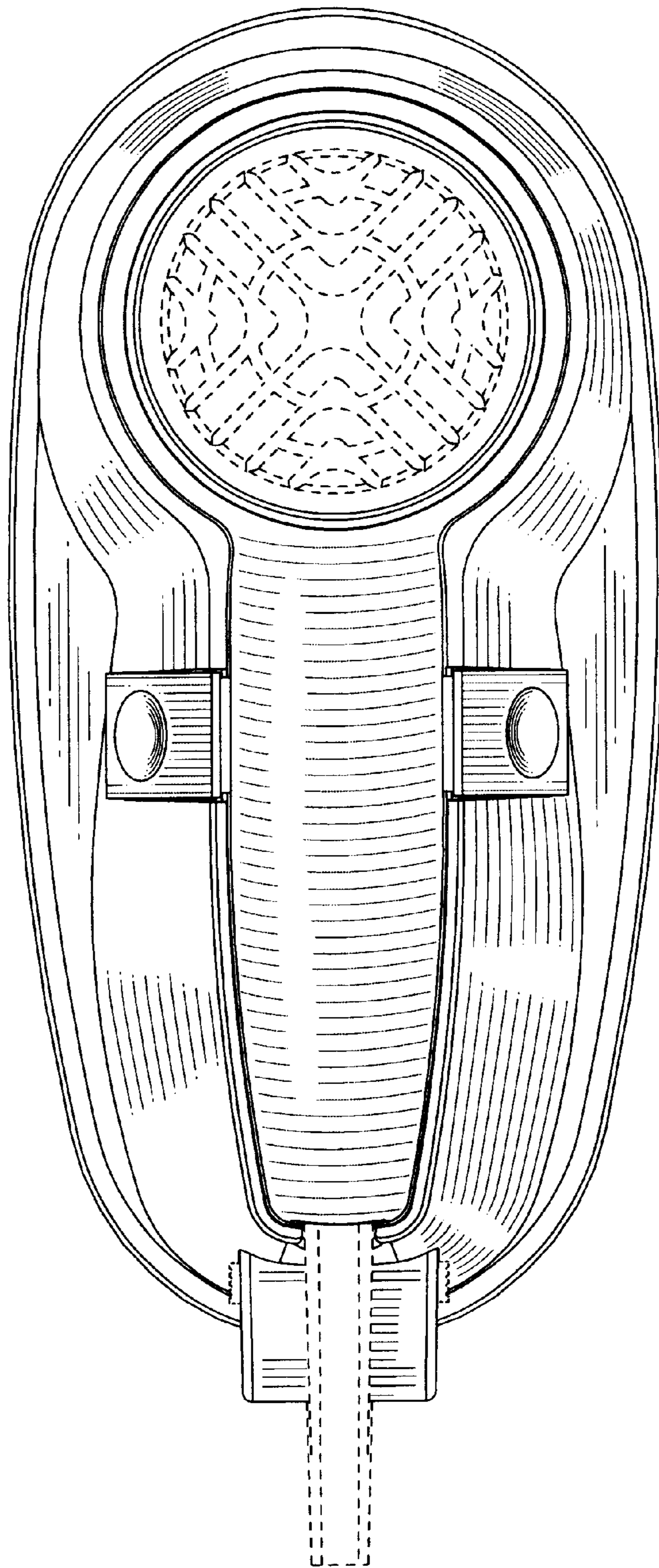


Fig. 2

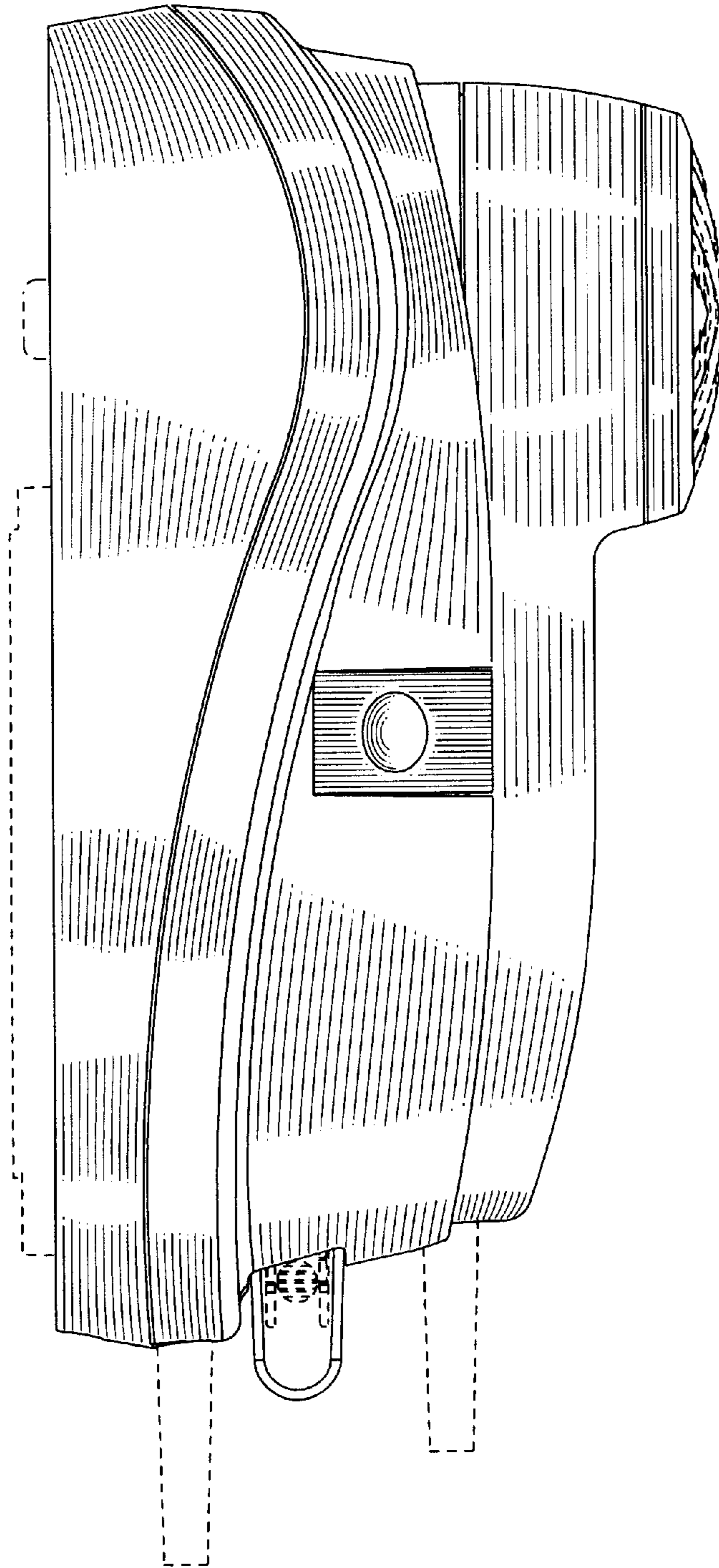


Fig. 3

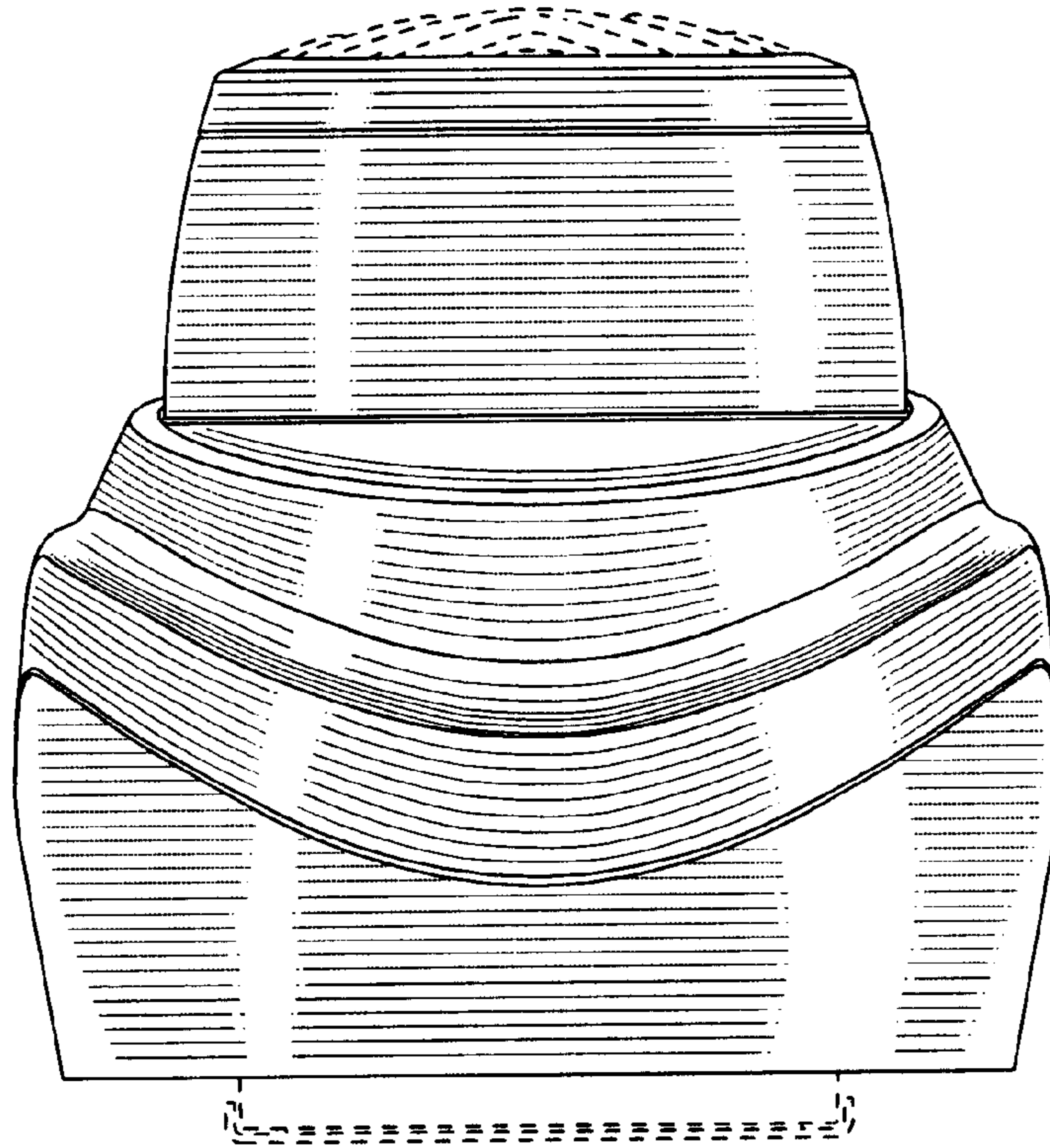


Fig. 4

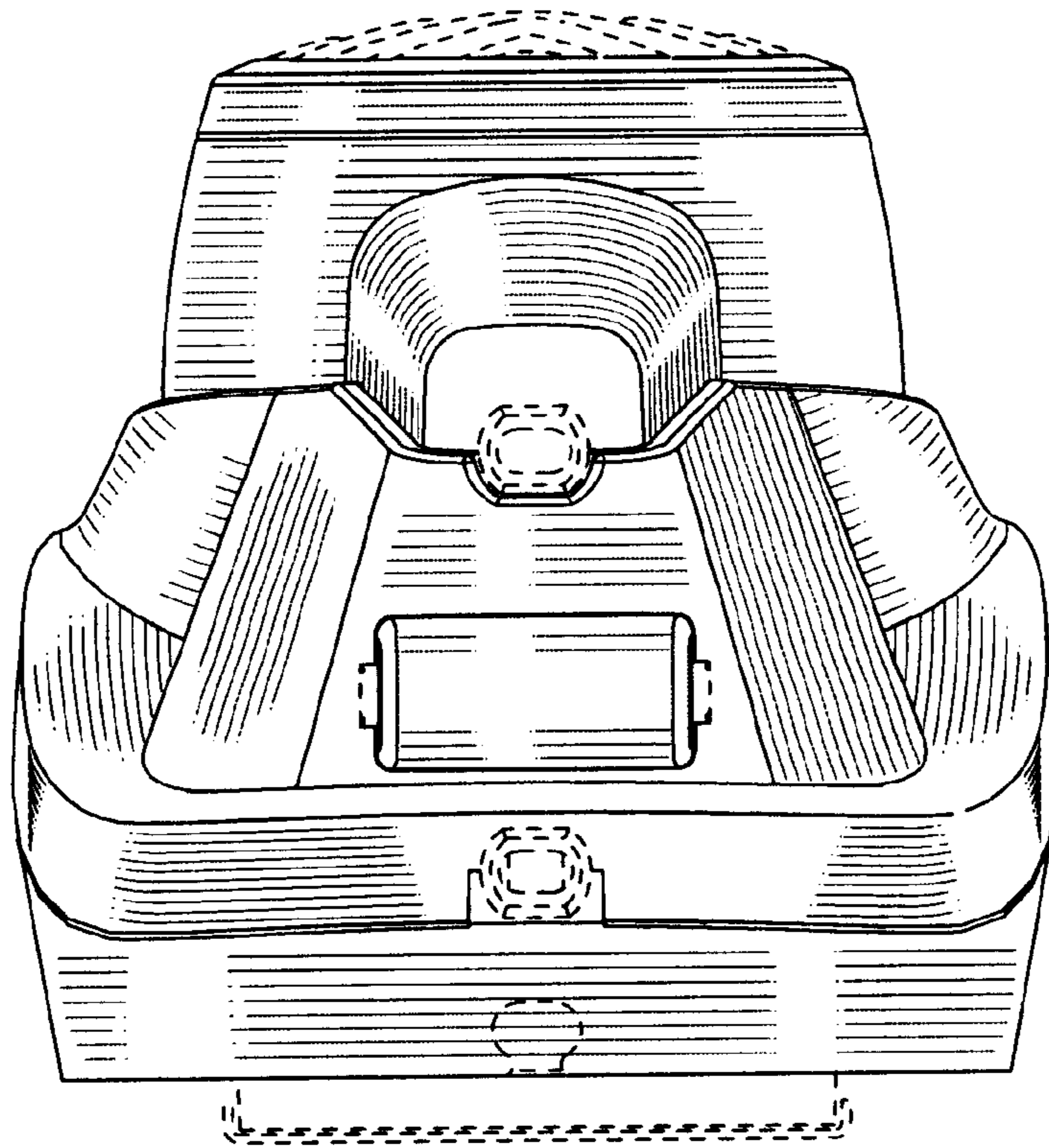


Fig. 5