



US00D482816S

(12) **United States Design Patent**
Packer et al.

(10) **Patent No.:** **US D482,816 S**

(45) **Date of Patent:** **** Nov. 25, 2003**

(54) **SUSPENDED LUMINAIRE**

(75) Inventors: **Michael Packer**, Grandview Heights, OH (US); **Jeffrey D. McClow**, Newark, OH (US); **James M. Pacocha**, Westerville, OH (US)

(73) Assignee: **Acuity Brands, Inc.**, Atlanta, GA (US)

(**) Term: **14 Years**

(21) Appl. No.: **29/169,410**

(22) Filed: **Oct. 18, 2002**

(51) **LOC (7) Cl.** **26-03**

(52) **U.S. Cl.** **D26/89; D26/61**

(58) **Field of Search** D26/72, 80-92,
D26/61, 66; 362/147, 237, 432, 404-406,
806, 430, 150, 418

(56) **References Cited**

U.S. PATENT DOCUMENTS

D222,103	S	*	9/1971	Anderson, Jr.	D26/85
4,837,669	A	*	6/1989	Tharp et al.	362/418
D302,737	S	*	8/1989	Hoke et al.	D26/88
D461,267	S	*	8/2002	Arumugasaamy	D26/85
D467,676	S	*	12/2002	Packer et al.	D26/72
2002/0071284	A1	*	6/2002	Fischer et al.	362/404
2003/0016536	A1	*	1/2003	Lin	362/250

OTHER PUBLICATIONS

Taiwan Lighting, Nov. 2001, p. 112, lamp shown in bottom right of page.*

Home Lighting and Accessories, Jun. 2001, p. 276, "The Luna", bottom left of page.*

* cited by examiner

Primary Examiner—Clare E. Heflin

(74) *Attorney, Agent, or Firm*—Kenneth E. Darnell

(57) **CLAIM**

The ornamental design of a suspended luminaire, as shown and described.

DESCRIPTION

FIG. 1 is a perspective view of a first embodiment of the luminaire showing the new design;

FIG. 2 is an elevational view thereof;

FIG. 3 is a bottom view thereof;

FIG. 4 is a top plan view thereof;

FIG. 5 is a perspective view of a second embodiment of a luminaire showing the new design;

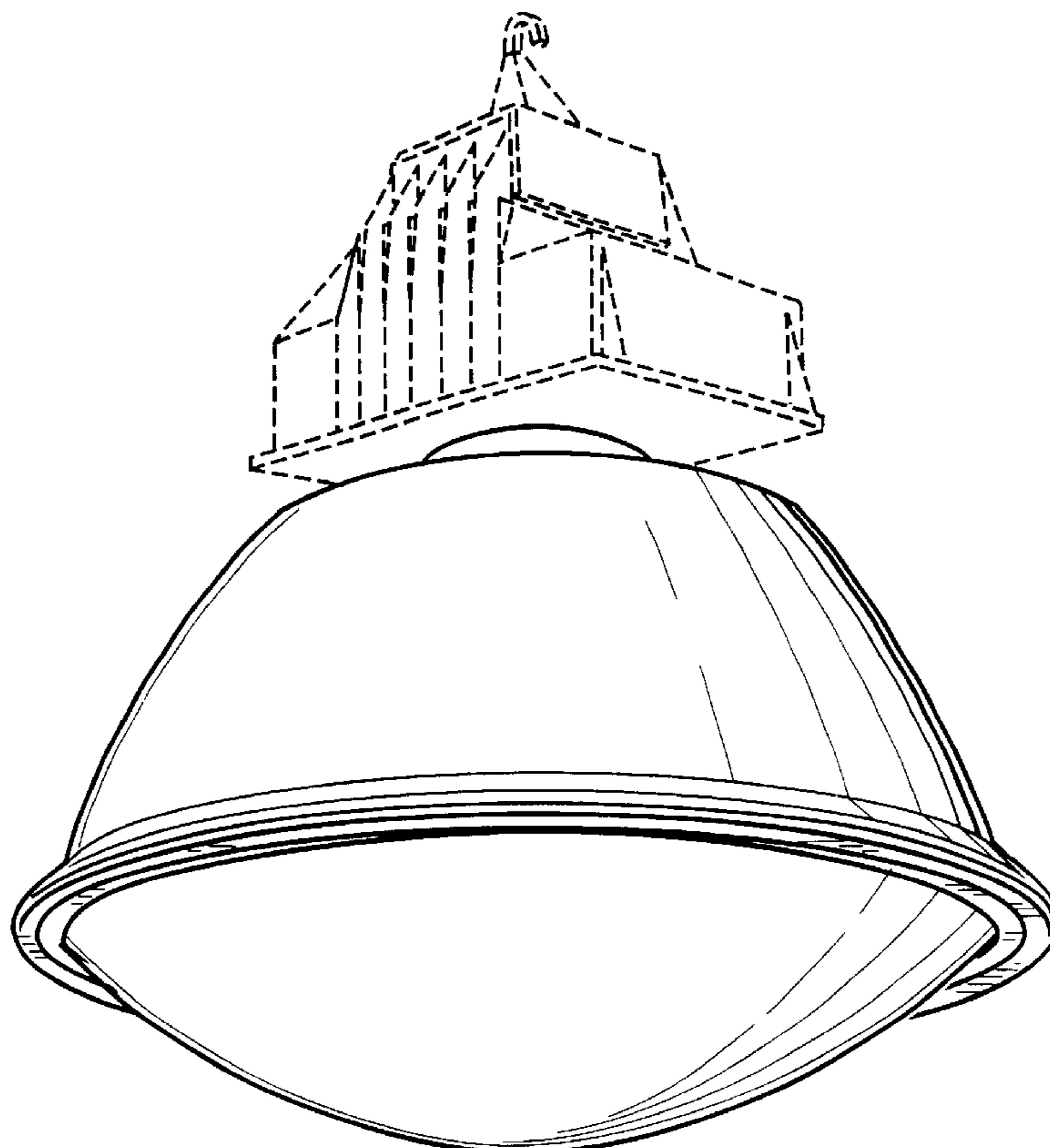
FIG. 6 is an elevational view thereof;

FIG. 7 is a bottom view thereof; and,

FIG. 8 is a top plan view thereof.

The broken lines shown on the drawings are for illustrative purposes only and form no part of the claimed design.

1 Claim, 6 Drawing Sheets



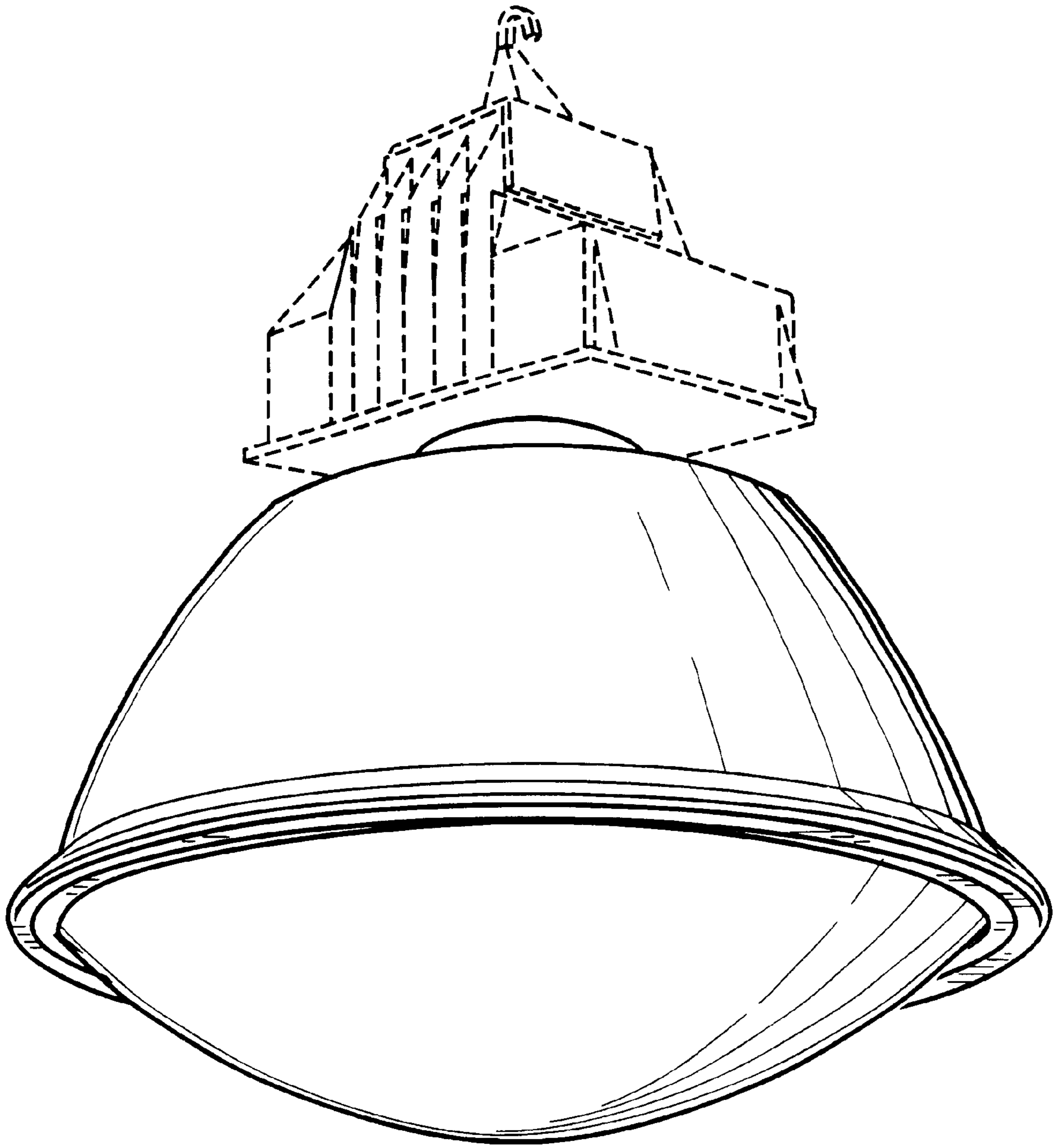


Fig. 1

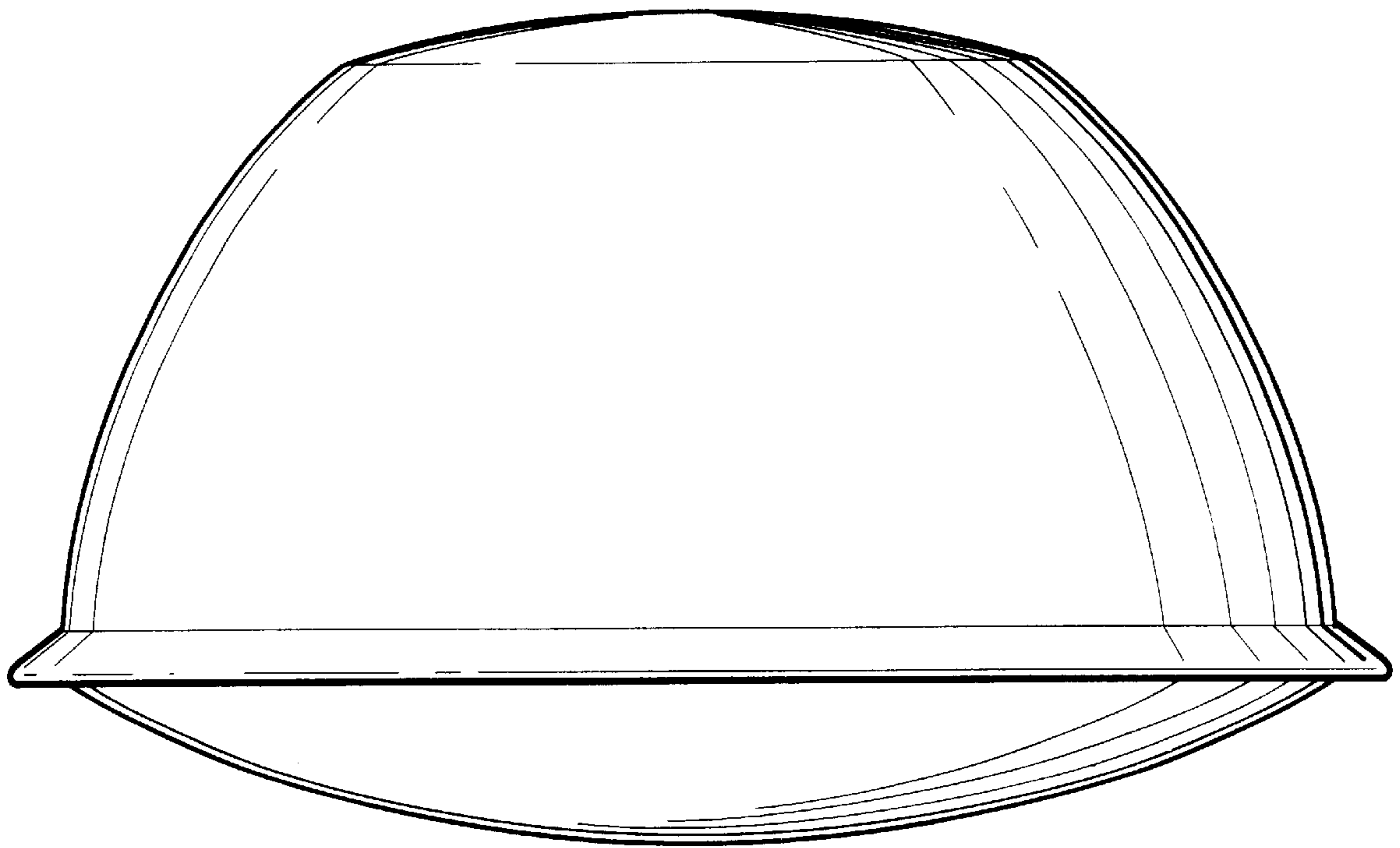


Fig. 2

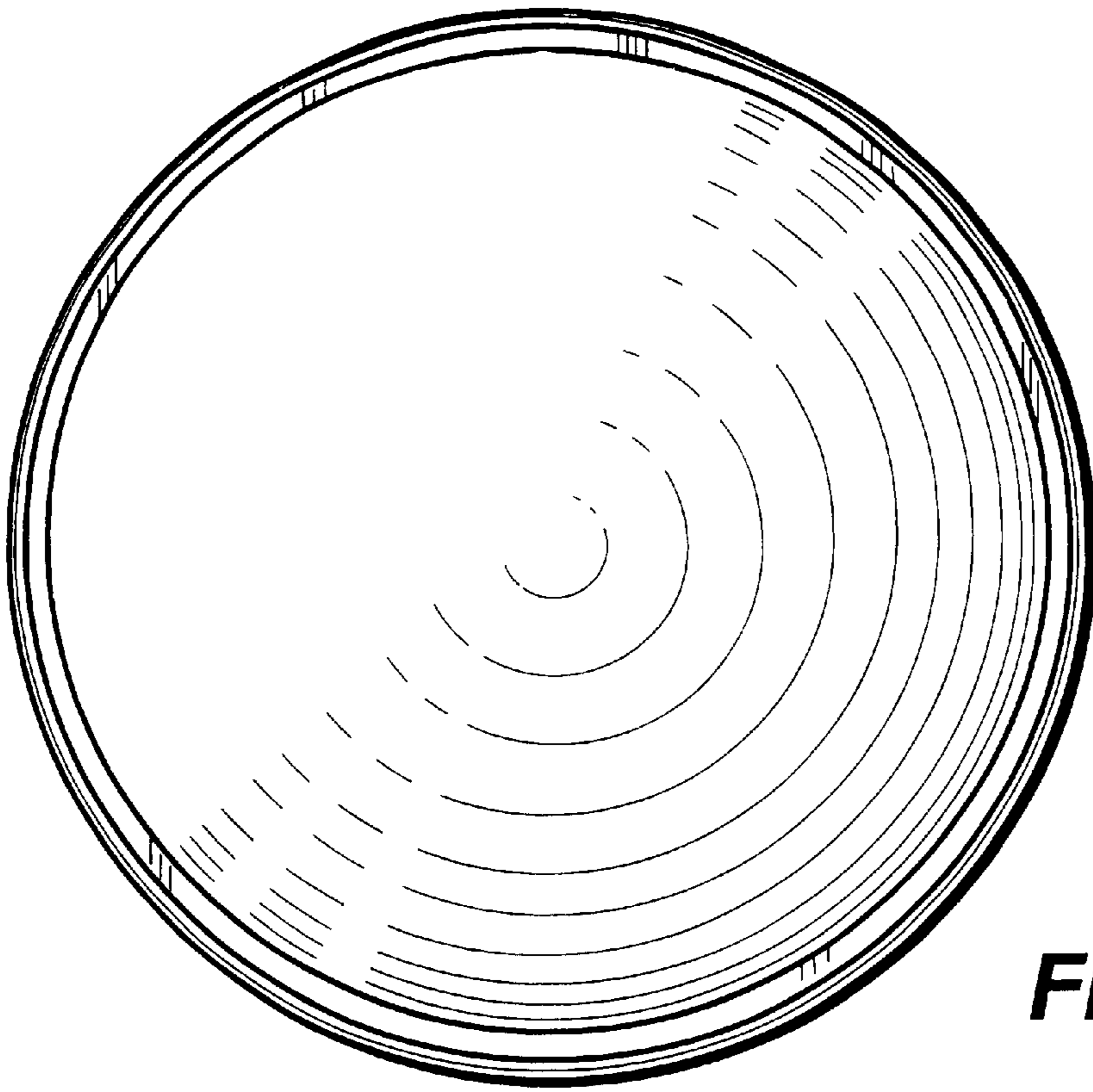


Fig. 3

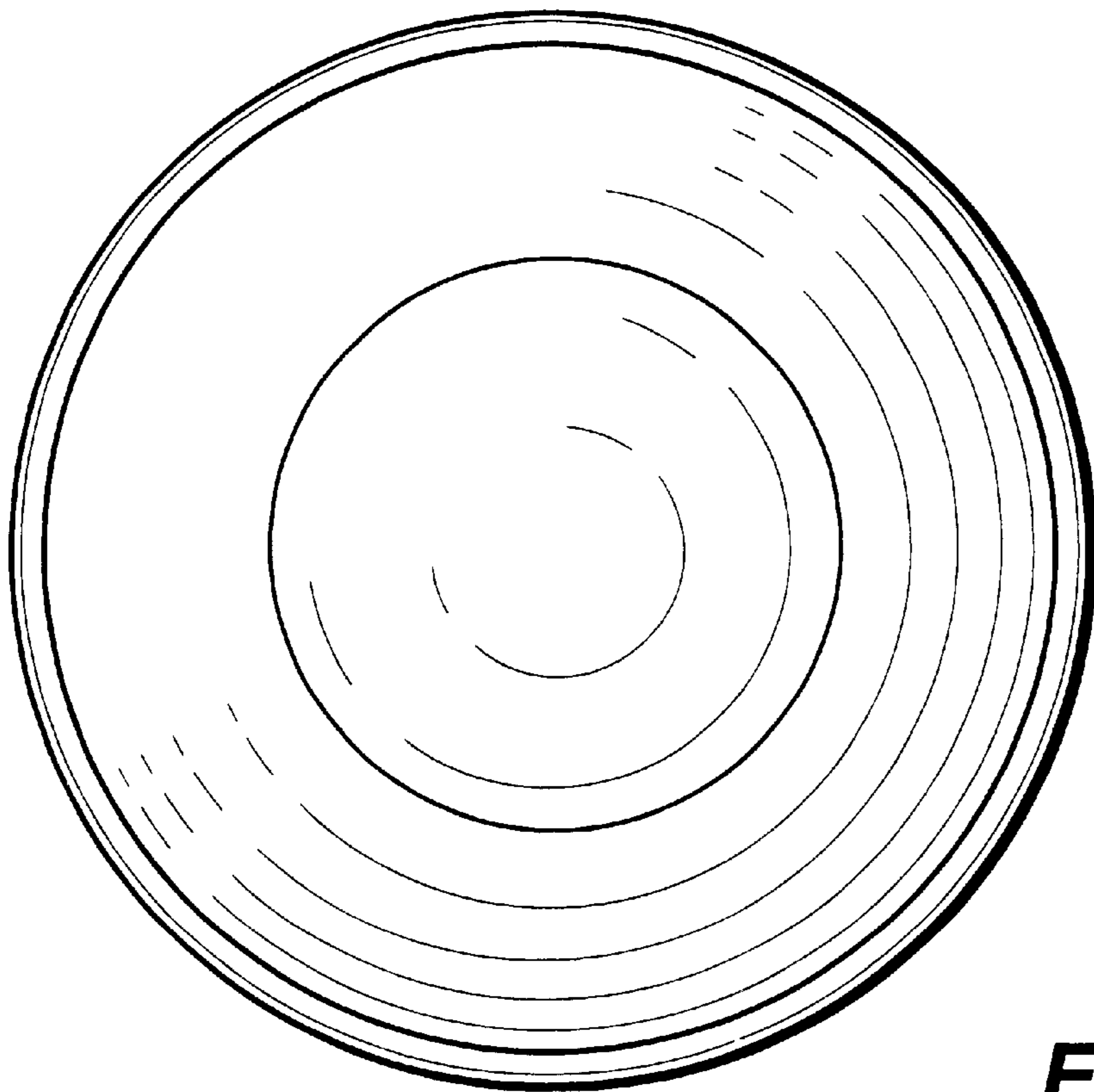


Fig. 4

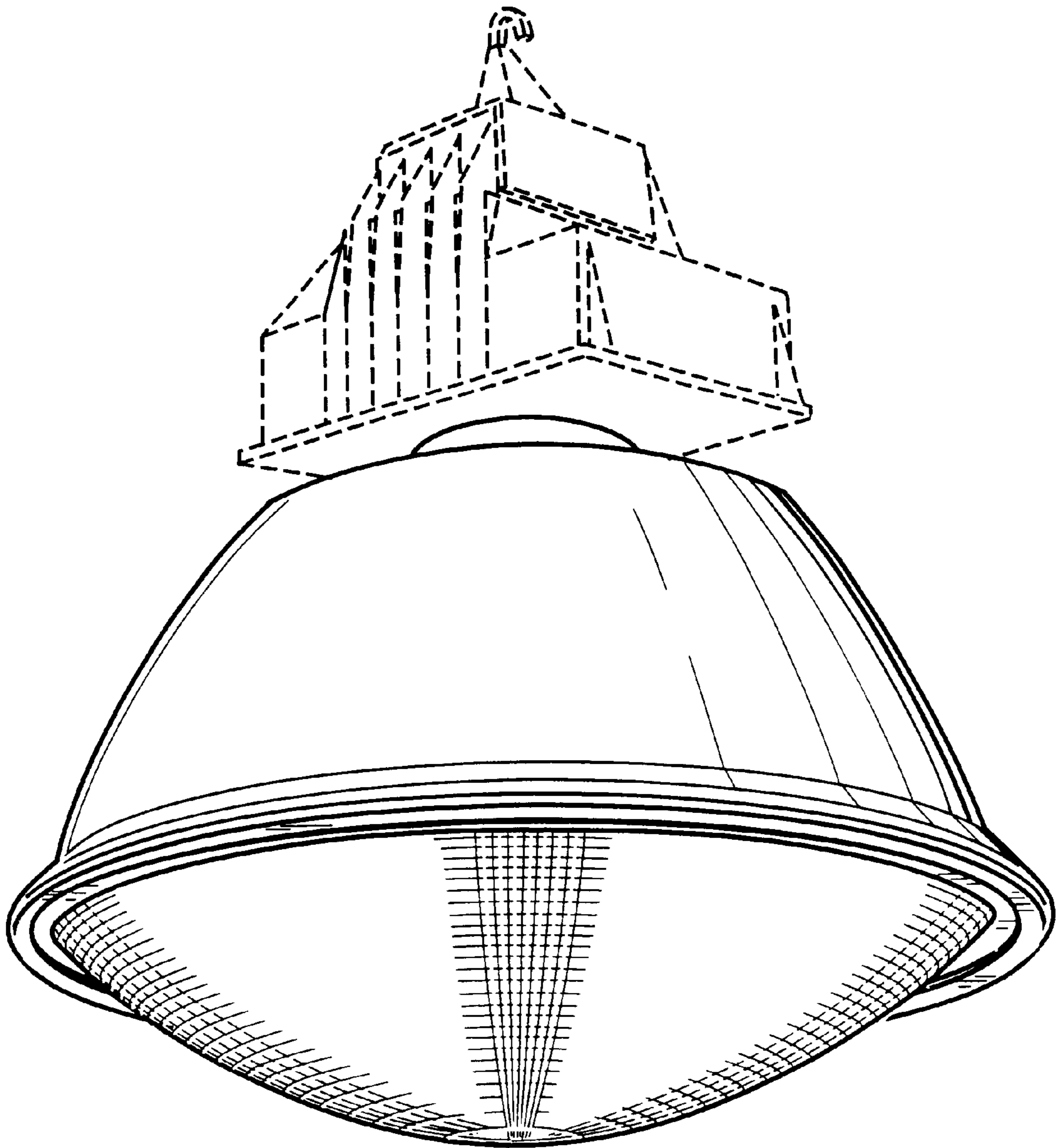


Fig. 5

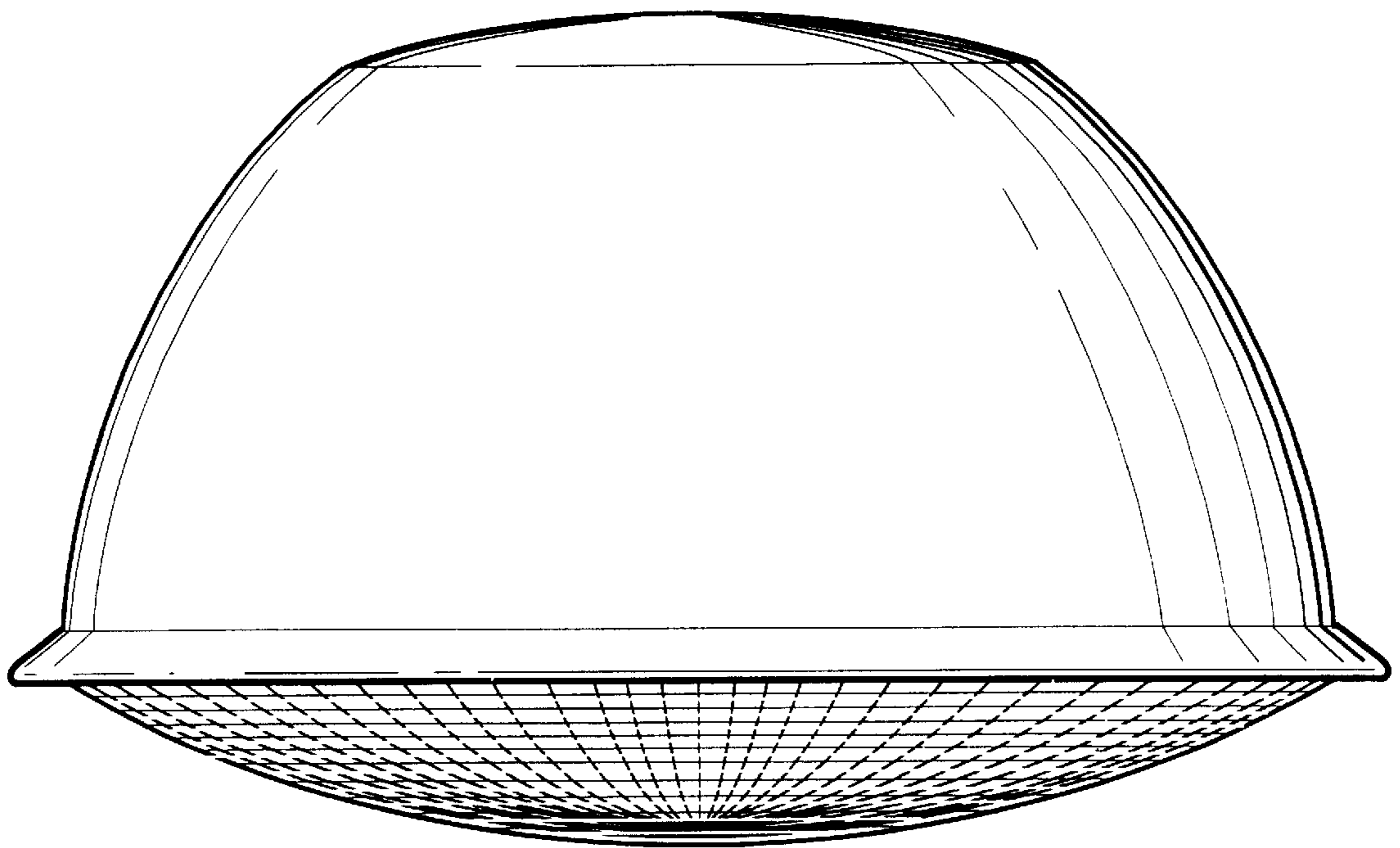


Fig. 6

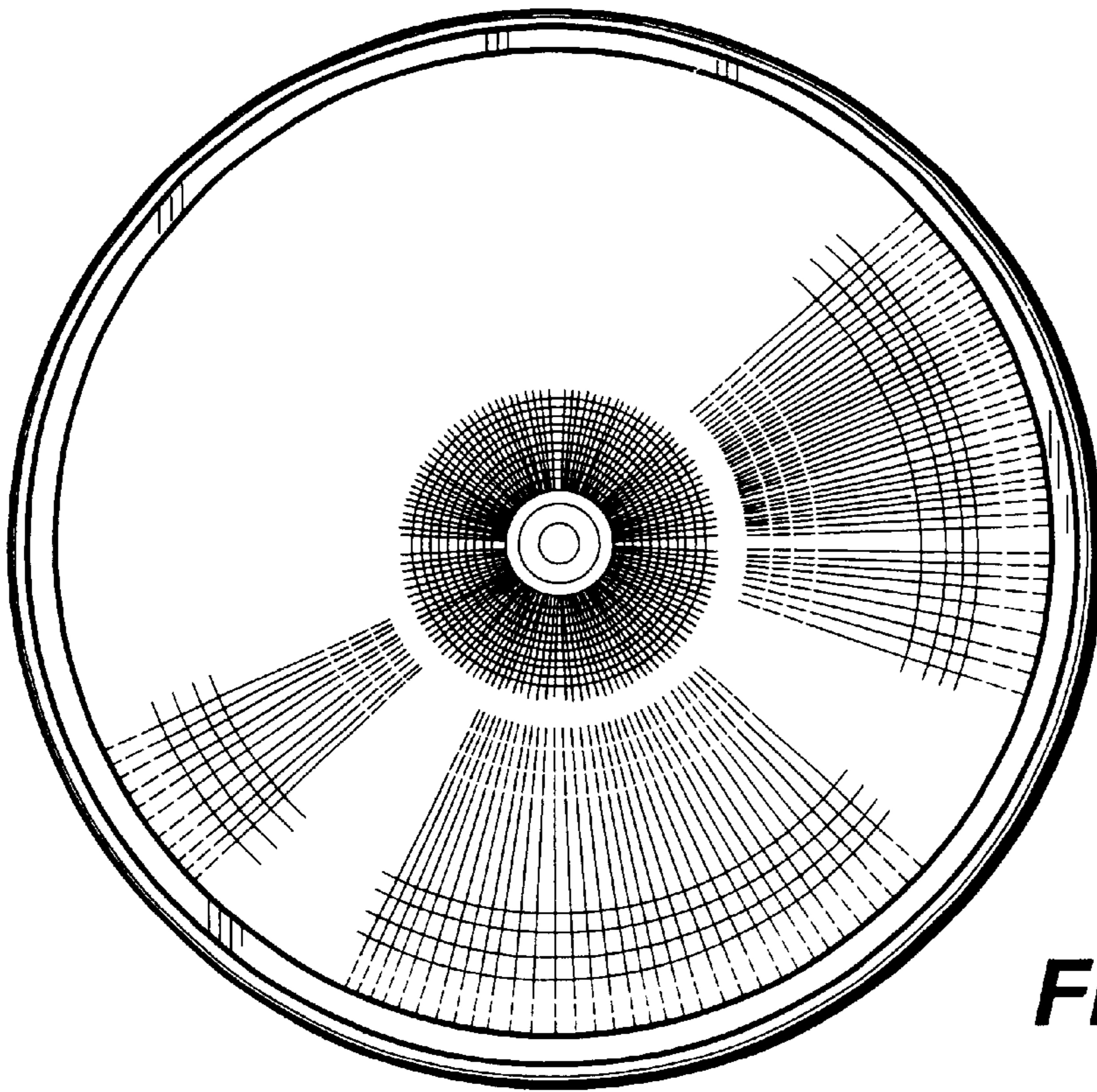


Fig. 7

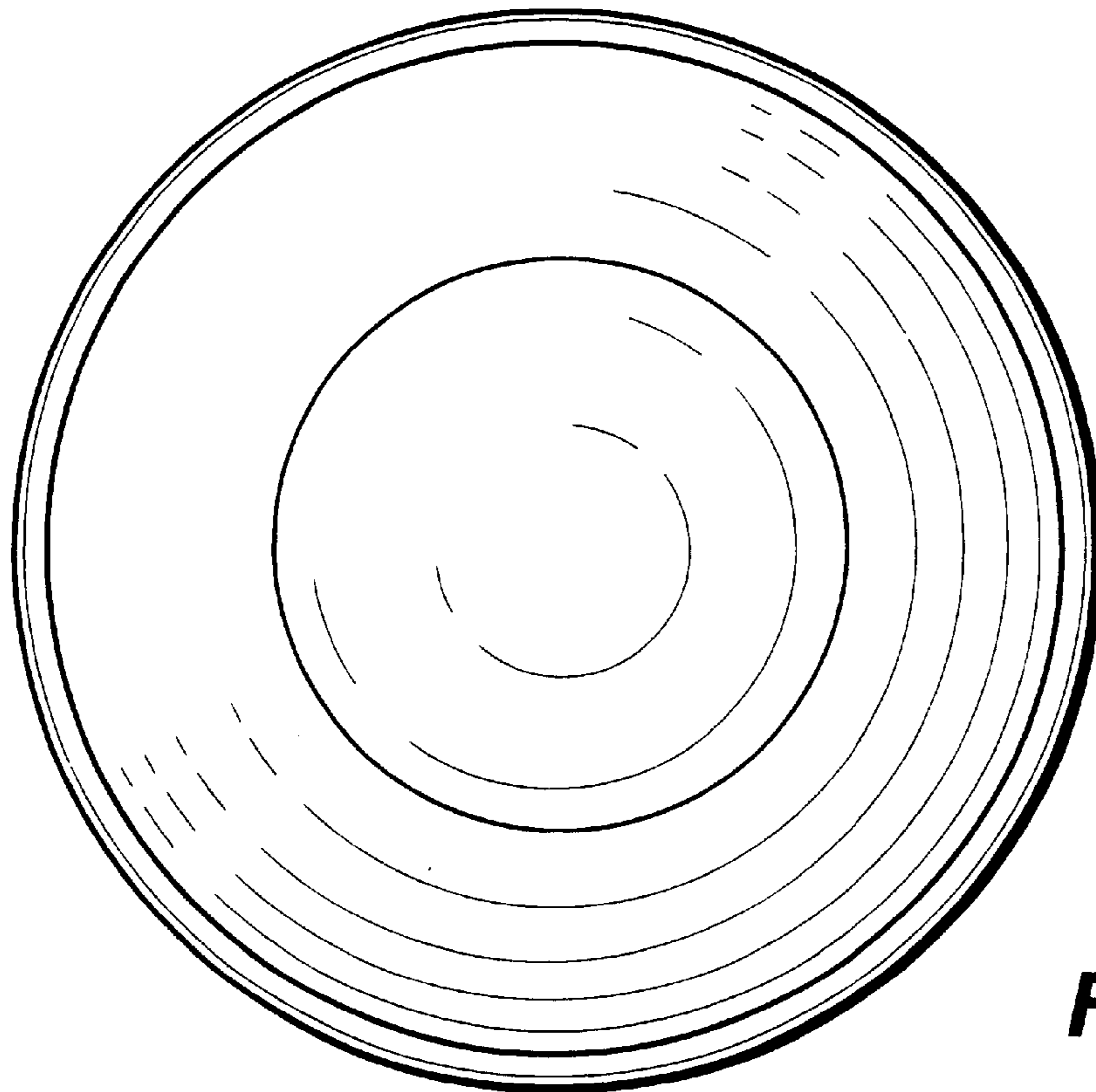


Fig. 8