



US00D482814S

(12) **United States Design Patent**  
**Pu**

(10) **Patent No.:** **US D482,814 S**

(45) **Date of Patent:** **\*\* Nov. 25, 2003**

(54) **LIGHT**

(75) Inventor: **Mingqiang Pu**, Xinhua (CN)

(73) Assignee: **World Factory, Inc.**, Southlake, TX (US)

(\*\*) Term: **14 Years**

(21) Appl. No.: **29/178,340**

(22) Filed: **Mar. 24, 2003**

(51) **LOC (7) Cl.** ..... **26-05**

(52) **U.S. Cl.** ..... **D26/67**

(58) **Field of Search** ..... D26/67, 68, 72-92,  
D26/113, 118, 128, 129; 362/147, 363,  
367, 368, 404-408, 432, 153, 153.1, 159,  
431

(56) **References Cited**

**U.S. PATENT DOCUMENTS**

D208,325 S	*	8/1967	Bobrick	.....	D26/67
D346,873 S	*	5/1994	Frost	.....	D26/67
D469,908 S	*	2/2003	Chen	.....	D26/67
D477,107 S	*	7/2003	Kuelbs et al.	.....	D26/128

**OTHER PUBLICATIONS**

CENS Lighting Jul. 2002; p. 84; fixture #SW003-1; top left of page.\*  
CENS Lighting Apr. 2002; p. 116; item #SL051PY; top right of page.\*

CENS Lighting Jan. 2002; p. 26; outdoor lamp in upper central section of photo.\*

Progress Lighting Product Catalog No. 124 (c)2000; p. 319; item #P5238.\*

\* cited by examiner

*Primary Examiner*—Clare E. Heflin

(74) *Attorney, Agent, or Firm*—Melvin A. Hunn; Hill & Hunn, LLP

(57) **CLAIM**

The ornamental design for a light, as shown and described.

**DESCRIPTION**

FIG. 1 is a perspective view of the light according to the present invention.

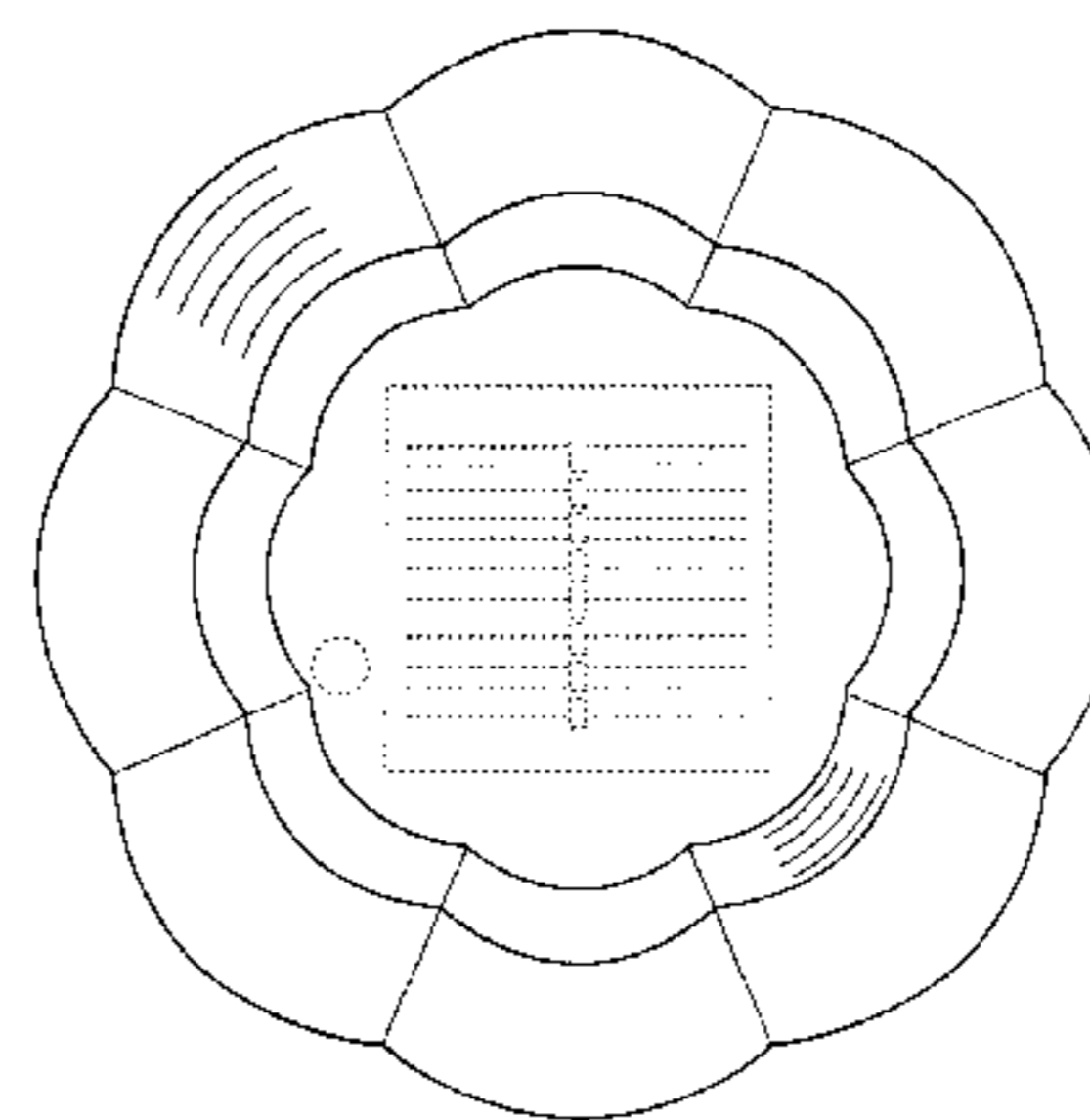
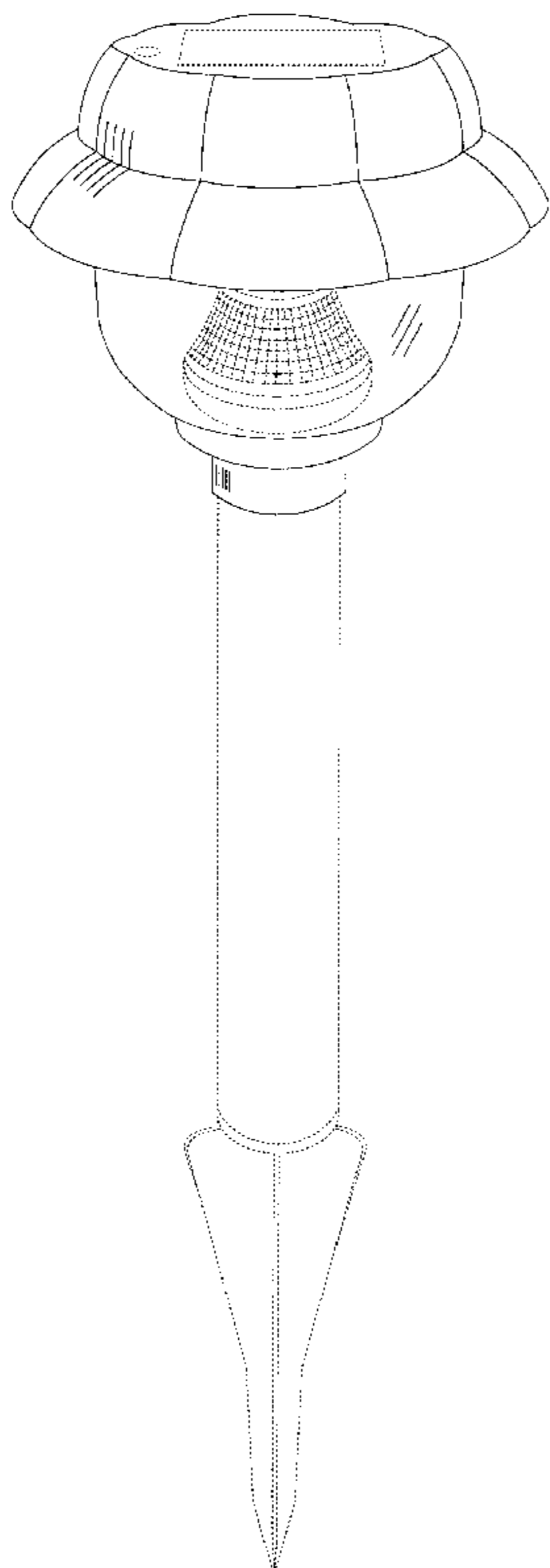
FIG. 2 is a front view of the light according to the present invention. The rear view and the right and left side views are identical to the front view for the claimed invention.

FIG. 3 is top view of the light according to the present invention; and,

FIG. 4 is a bottom view of the light according to the present invention.

The broken lines are for illustrative purposes only and form no part of the claimed design.

**1 Claim, 3 Drawing Sheets**



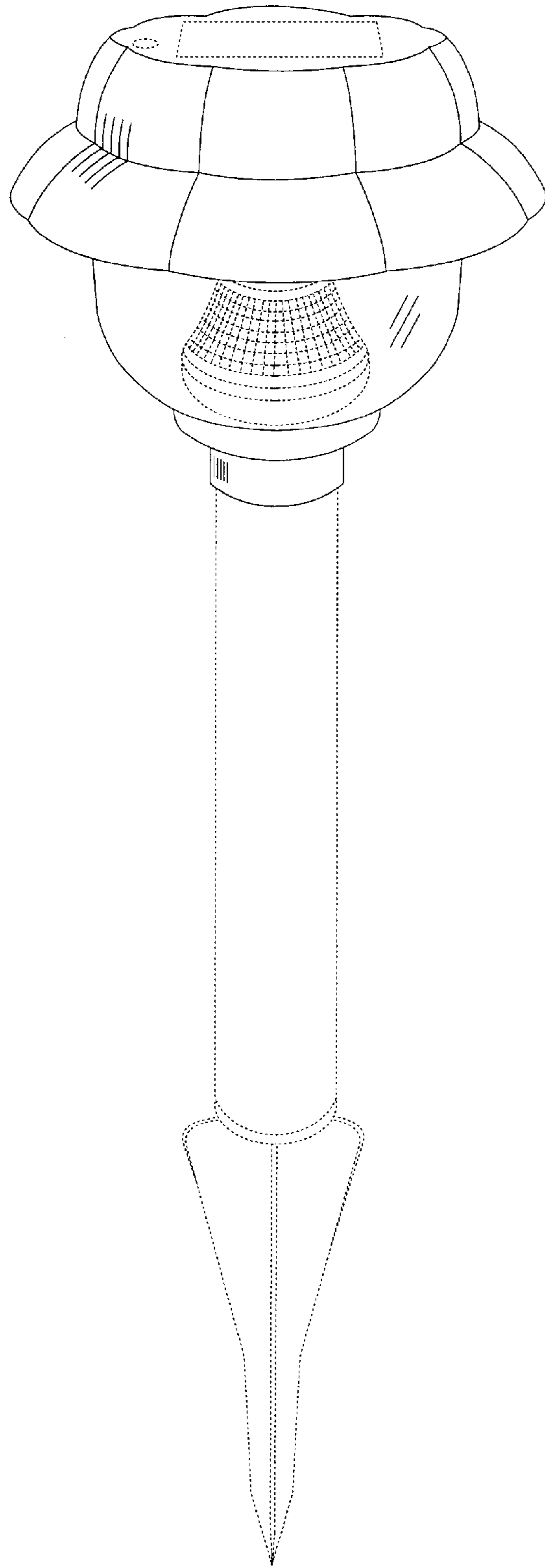


Figure 1

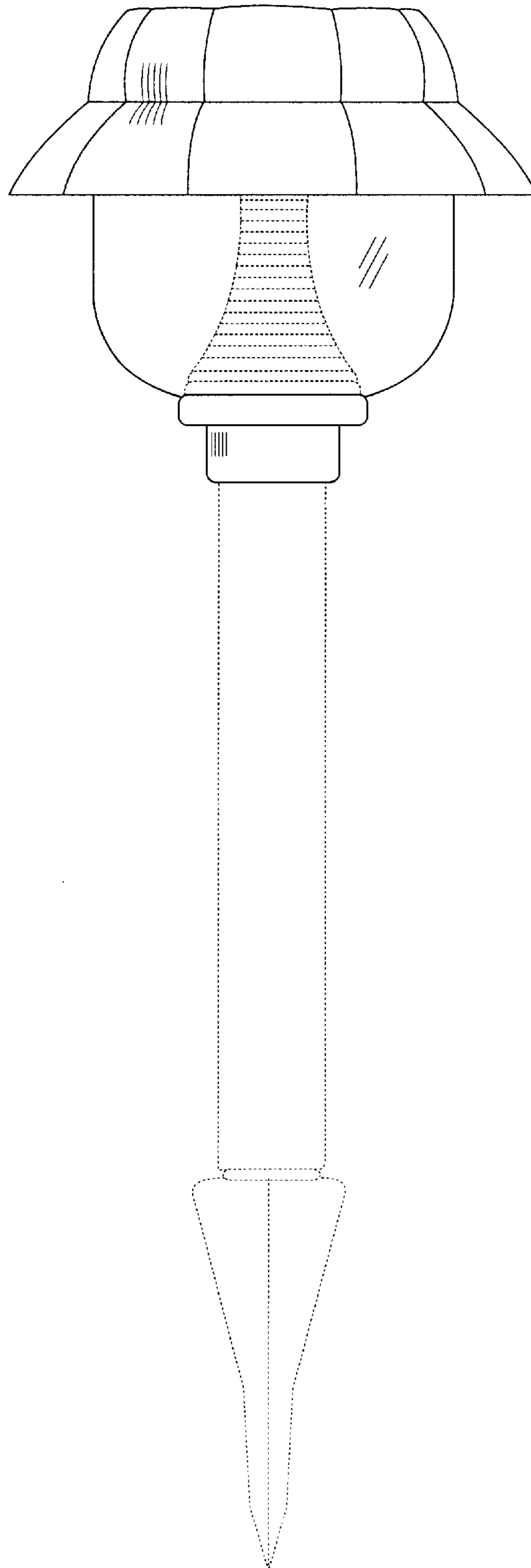


Figure 2

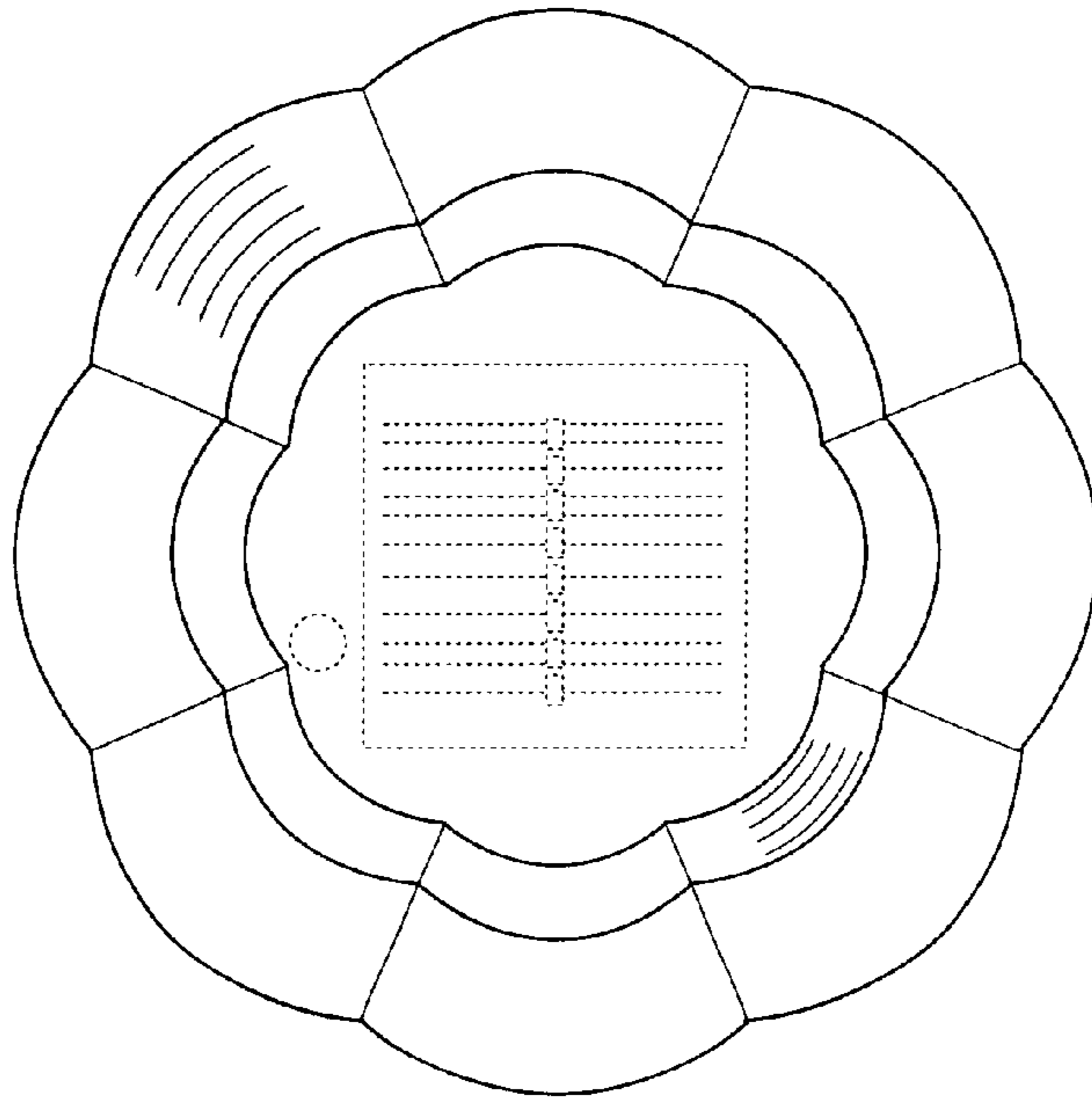


Figure 3

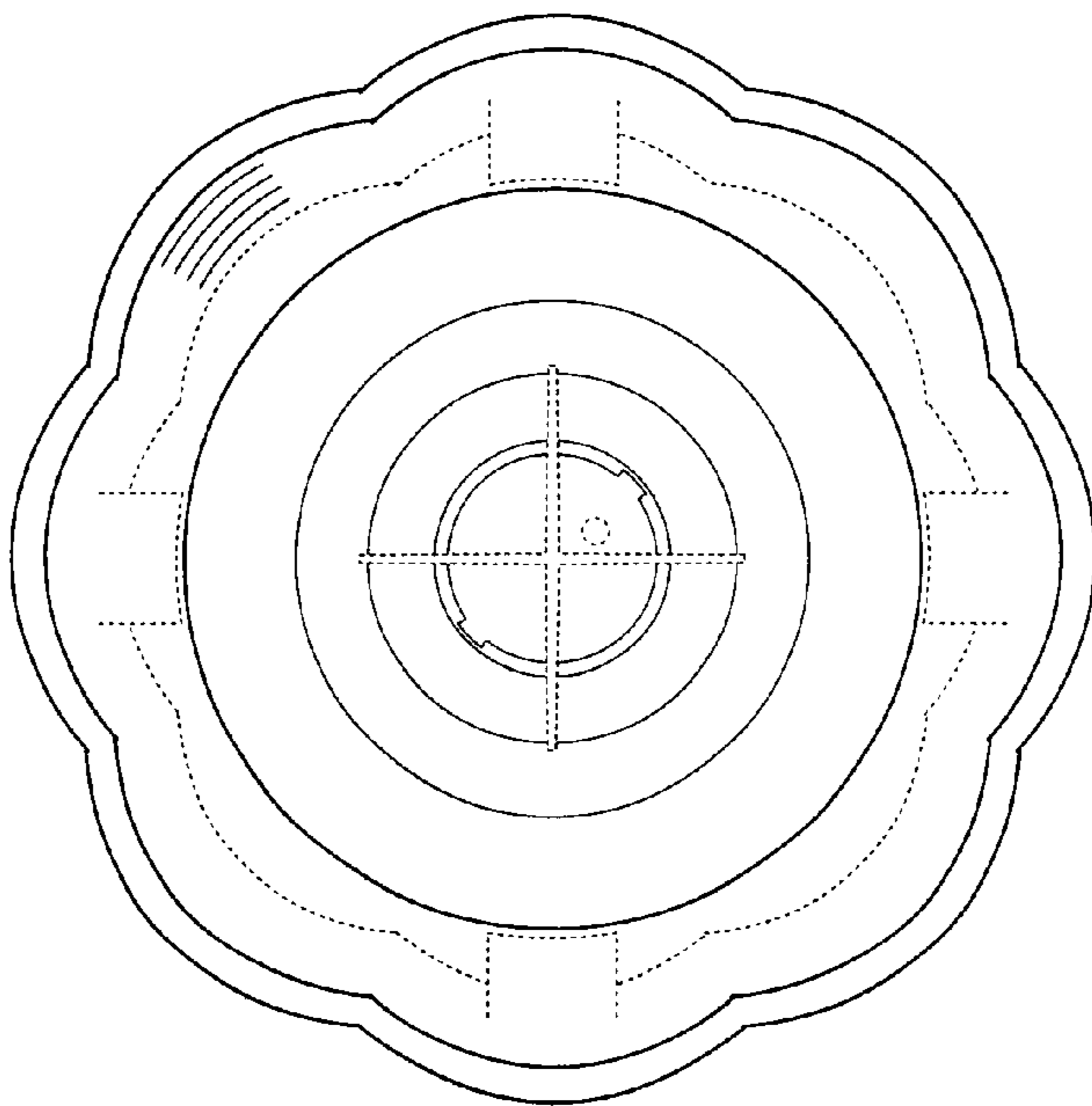


Figure 4