



US00D482813S

(12) **United States Design Patent**  
**Waldmann**

(10) **Patent No.:** **US D482,813 S**

(45) **Date of Patent:** **\*\* Nov. 25, 2003**

(54) **LIGHT FIXTURE ASSEMBLY FOR  
WORKPLACE**

(75) Inventor: **Gerhard Waldmann**, Dauchingen (DE)

(73) Assignee: **Herbert Waldmann GmbH & Co.**,  
Villingen\_Schwenningen (DE)

(\*\*) Term: **14 Years**

(21) Appl. No.: **29/156,401**

(22) Filed: **Feb. 28, 2002**

(30) **Foreign Application Priority Data**

Sep. 1, 2001 (DE) ..... 401 07 757

(51) **LOC (7) Cl.** ..... **26-05**

(52) **U.S. Cl.** ..... **D26/61**

(58) **Field of Search** ..... D26/61-66; 362/269,  
362/253, 273, 275; D16/135; 359/819

(56) **References Cited**

**U.S. PATENT DOCUMENTS**

D276,940 S \* 12/1984 Andersson ..... D16/135  
D284,087 S \* 6/1986 Haidinger ..... D16/135  
D334,759 S \* 4/1993 Meyer et al. .... D16/135  
D337,841 S \* 7/1993 Lu ..... D26/65

**OTHER PUBLICATIONS**

Taiwan Lighting Feb. 1998, lamps with magnifying glass on  
p. 106.\*

\* cited by examiner

*Primary Examiner*—Alan P. Douglas

*Assistant Examiner*—Linda Brooks

(74) *Attorney, Agent, or Firm*—Eugene E. Renz, Jr.

(57) **CLAIM**

The ornamental design for a light fixture assembly for  
workplace, as shown and described.

**DESCRIPTION**

FIG. 1 is a perspective view of my design with the center  
section open;

FIG. 2 is identical to FIG. 2 except the center section is  
closed;

FIG. 3 is a top plan view of my design with the center  
section closed;

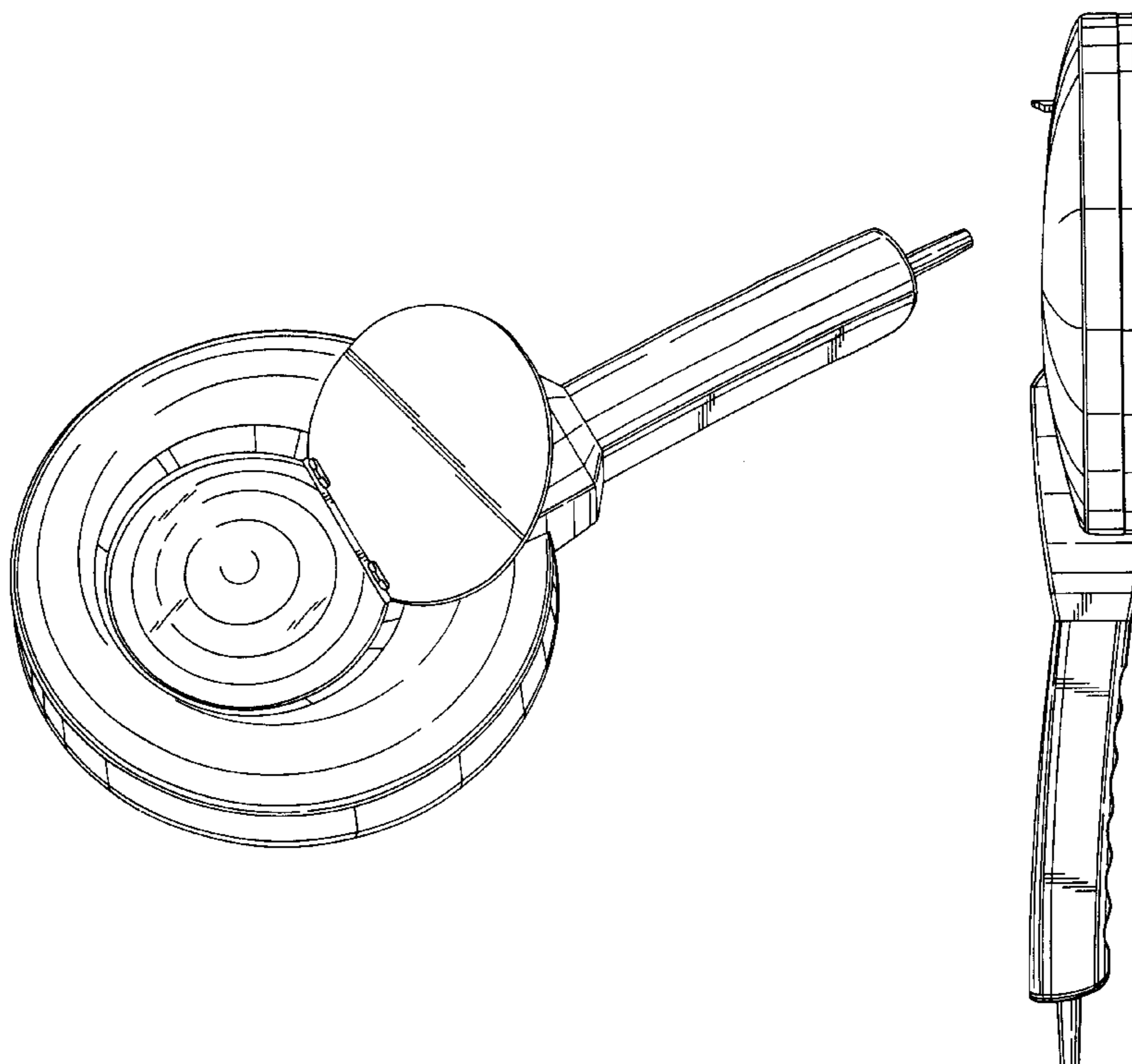
FIG. 4 is a right side view of my design with the center  
section closed;

FIG. 5 is a rear view of my design with the center section  
closed;

FIG. 6 is a front view of my design with the center section  
closed; and,

FIG. 7 is a bottom view of my design.

**1 Claim, 3 Drawing Sheets**



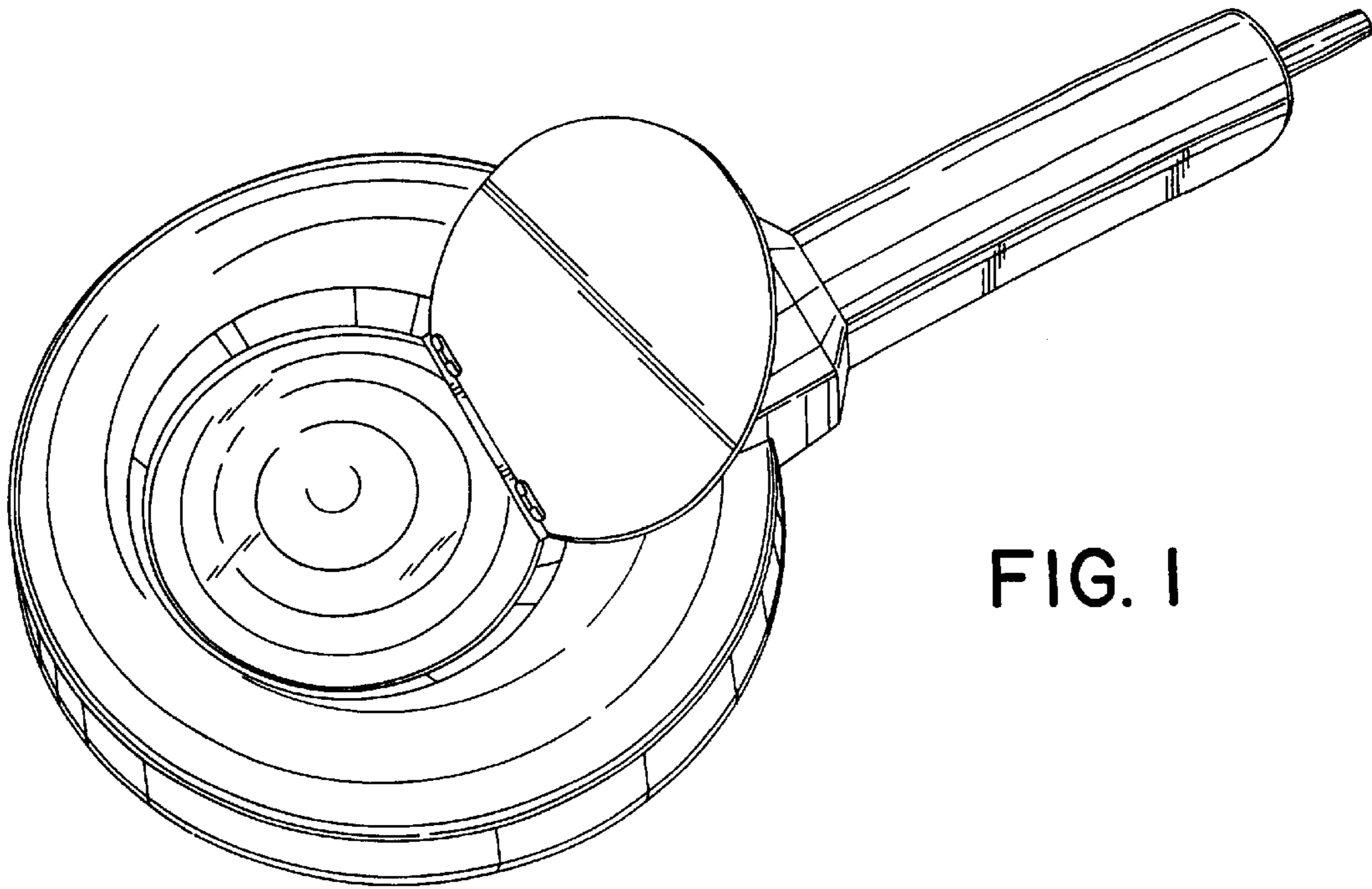


FIG. 1

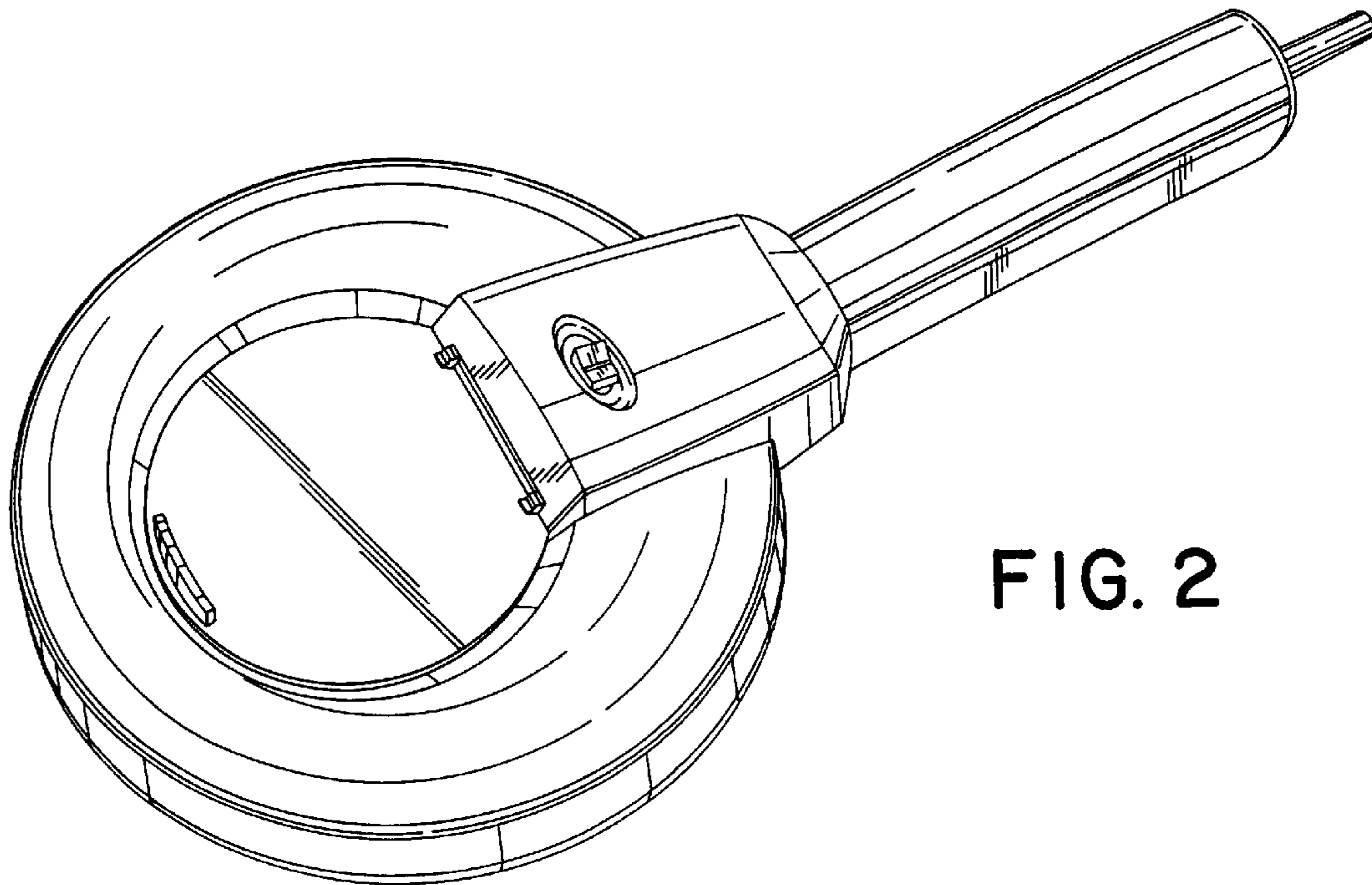


FIG. 2

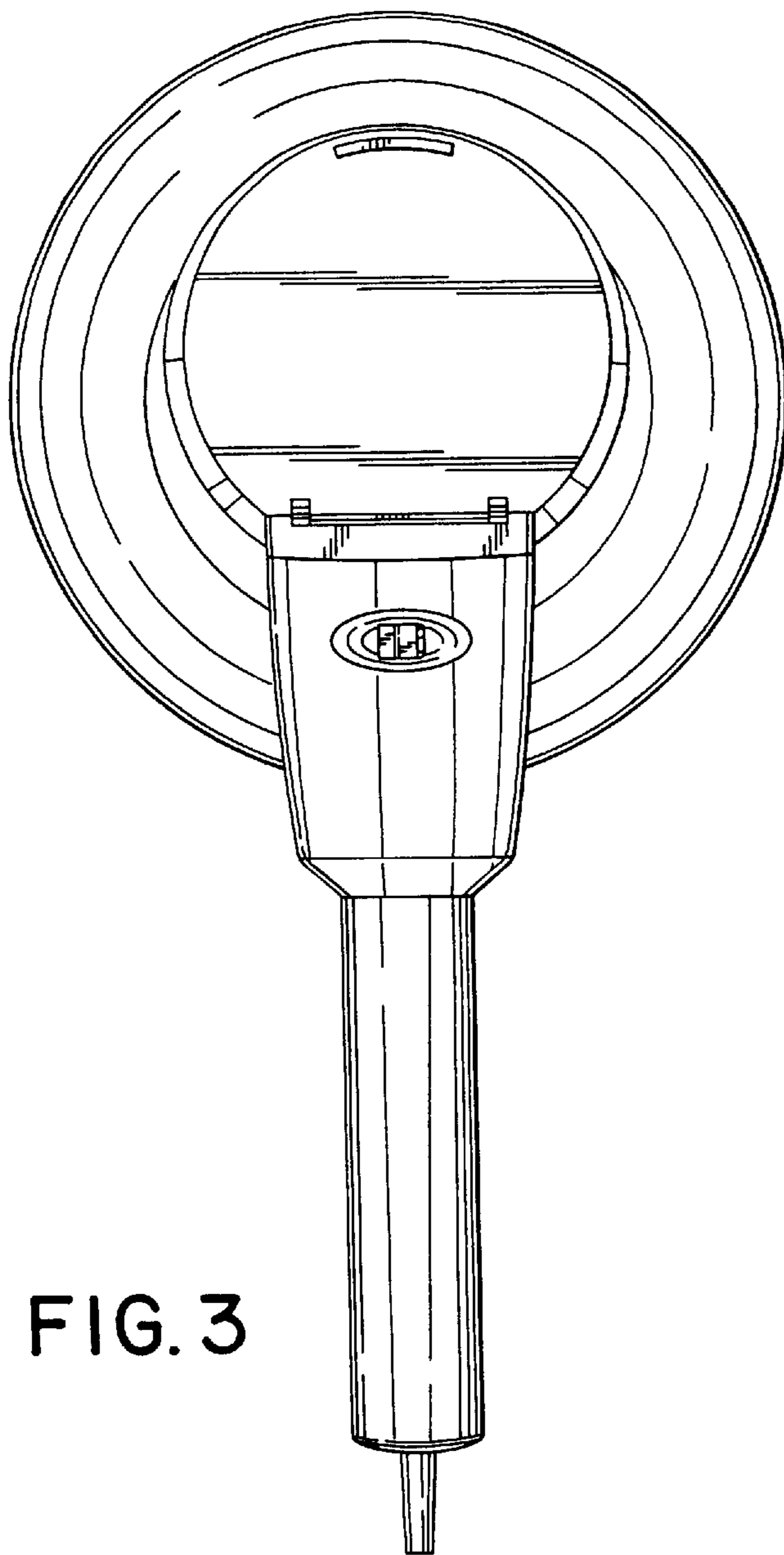


FIG. 3

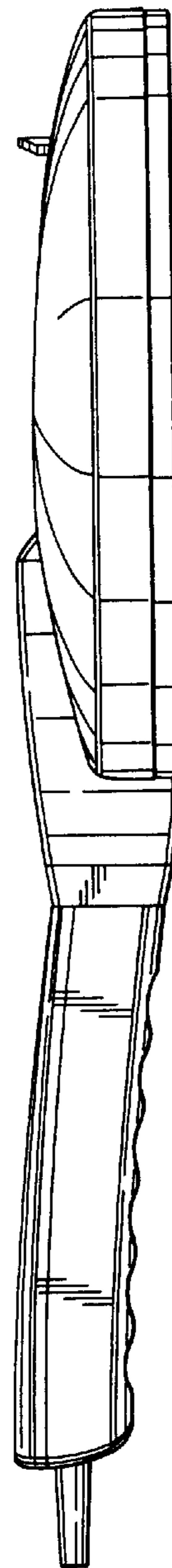


FIG. 4

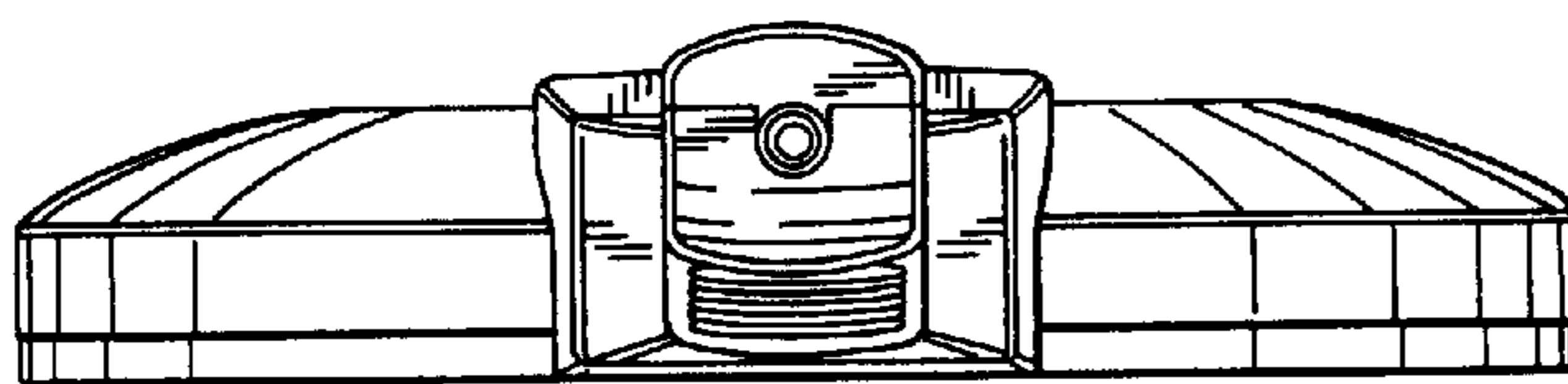


FIG. 5

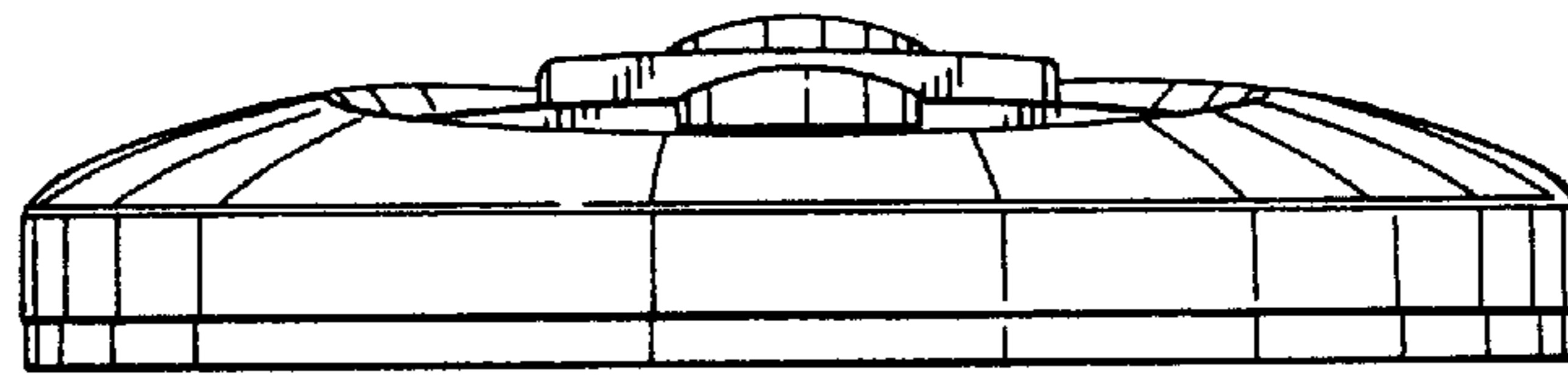


FIG. 6

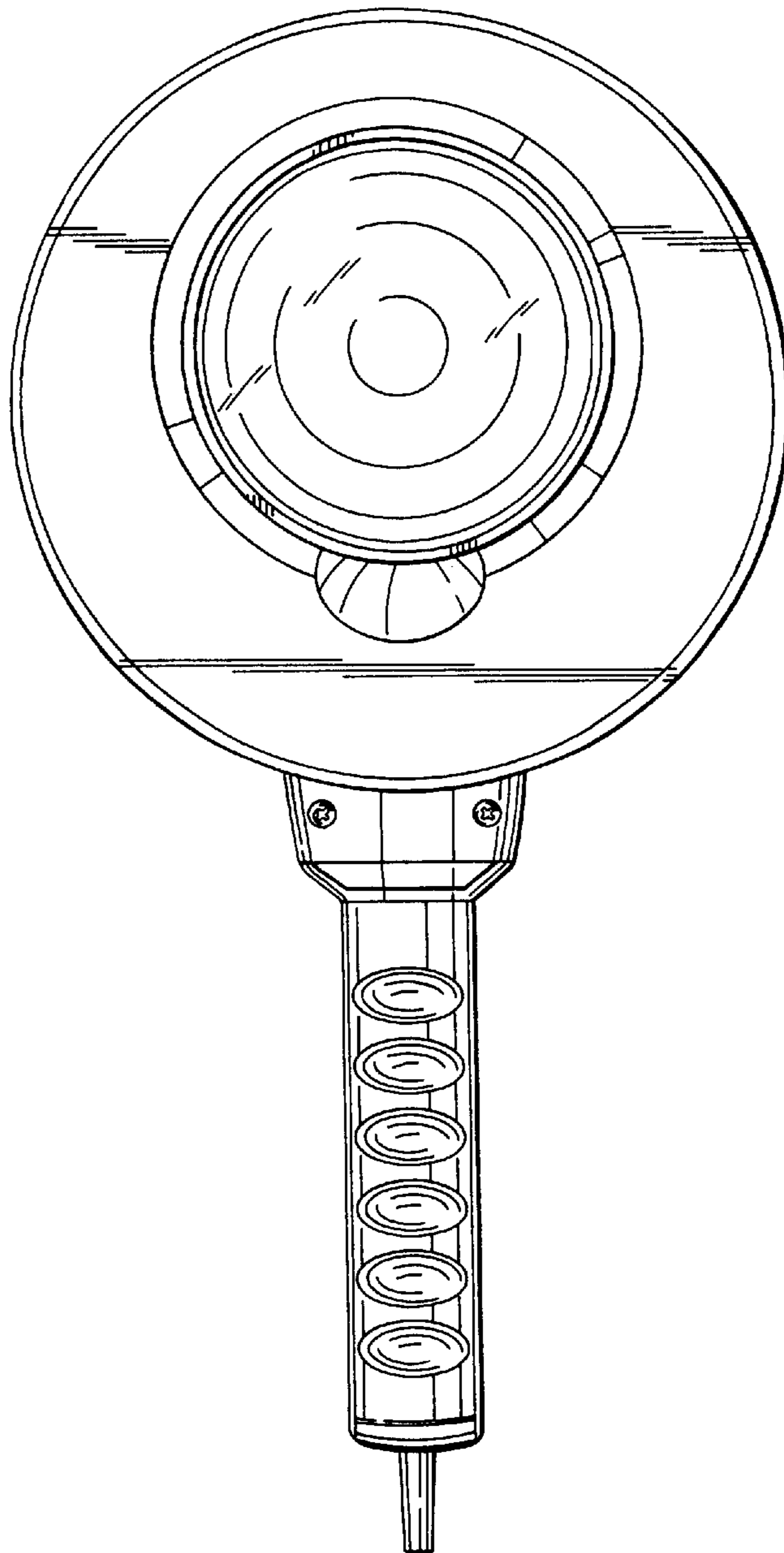


FIG. 7