



US00D482812S

(12) **United States Design Patent**
Cooper

(10) **Patent No.:** **US D482,812 S**

(45) **Date of Patent:** **** Nov. 25, 2003**

(54) **PORTABLE ILLUMINATION APPARATUS**

(75) **Inventor:** **Ira Jeffrey Cooper**, Lexington, KY (US)

(73) **Assignee:** **Q-Lighting, Inc**, Lexington, KY (US)

(**) **Term:** **14 Years**

(21) **Appl. No.:** **29/174,436**

(22) **Filed:** **Jan. 16, 2003**

(51) **LOC (7) Cl.** **26-05**

(52) **U.S. Cl.** **D26/60; D26/63**

(58) **Field of Search** D26/37-39, 60-66, D26/72, 24; 362/157, 183, 187, 189, 190, 194-200, 202, 98, 99, 396, 33, 804; 600/249

(56) **References Cited**

U.S. PATENT DOCUMENTS

5,319,532 A	6/1994	Pidancet	
D366,711 S	* 1/1996	Clasby D26/60
5,485,358 A	1/1996	Chien	
D382,357 S	8/1997	Henrici et al.	
5,667,291 A	9/1997	Caplan et al.	

5,680,718 A	10/1997	Ratcliffe et al.	
D405,203 S	* 2/1999	Tobianski D26/60
D408,091 S	* 4/1999	Joyner et al. D26/63
D438,658 S	* 3/2001	Meschi D26/60
D464,750 S	10/2002	Cooper	

* cited by examiner

Primary Examiner—Clare E. Heflin

(74) *Attorney, Agent, or Firm*—King & Schickli, PLLC

(57) **CLAIM**

The ornamental design of a portable illumination apparatus, as shown and described.

DESCRIPTION

FIG. 1 is a perspective view of the portable illumination apparatus of the present invention; FIG. 2 is a side view thereof; the opposite side view being substantially the same as a minor image thereof; FIG. 3 is a front view thereof; FIG. 4 is a rear view thereof; FIG. 5 is a top view thereof; and, FIG. 6 is a bottom view thereof.

1 Claim, 2 Drawing Sheets

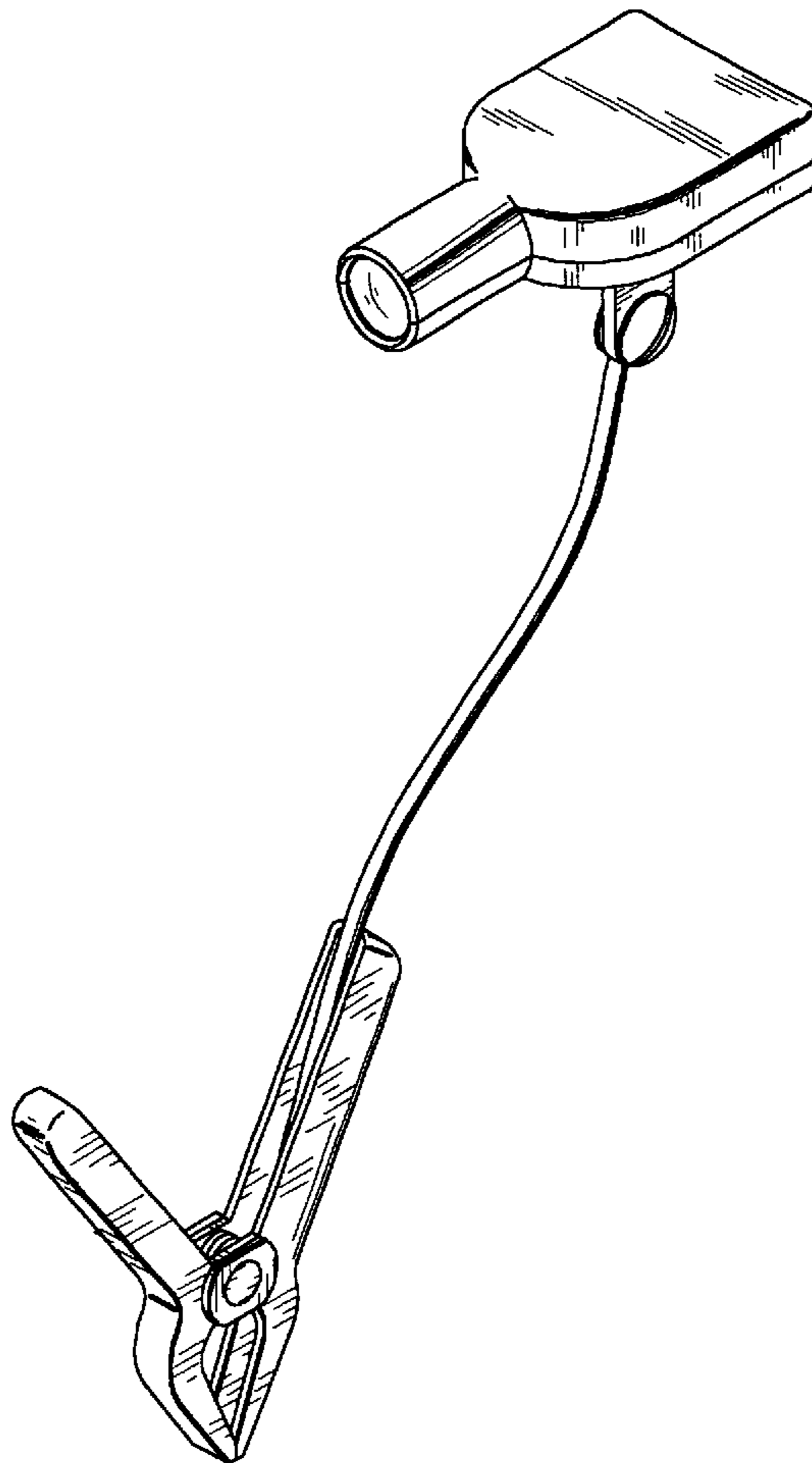


FIG. 1

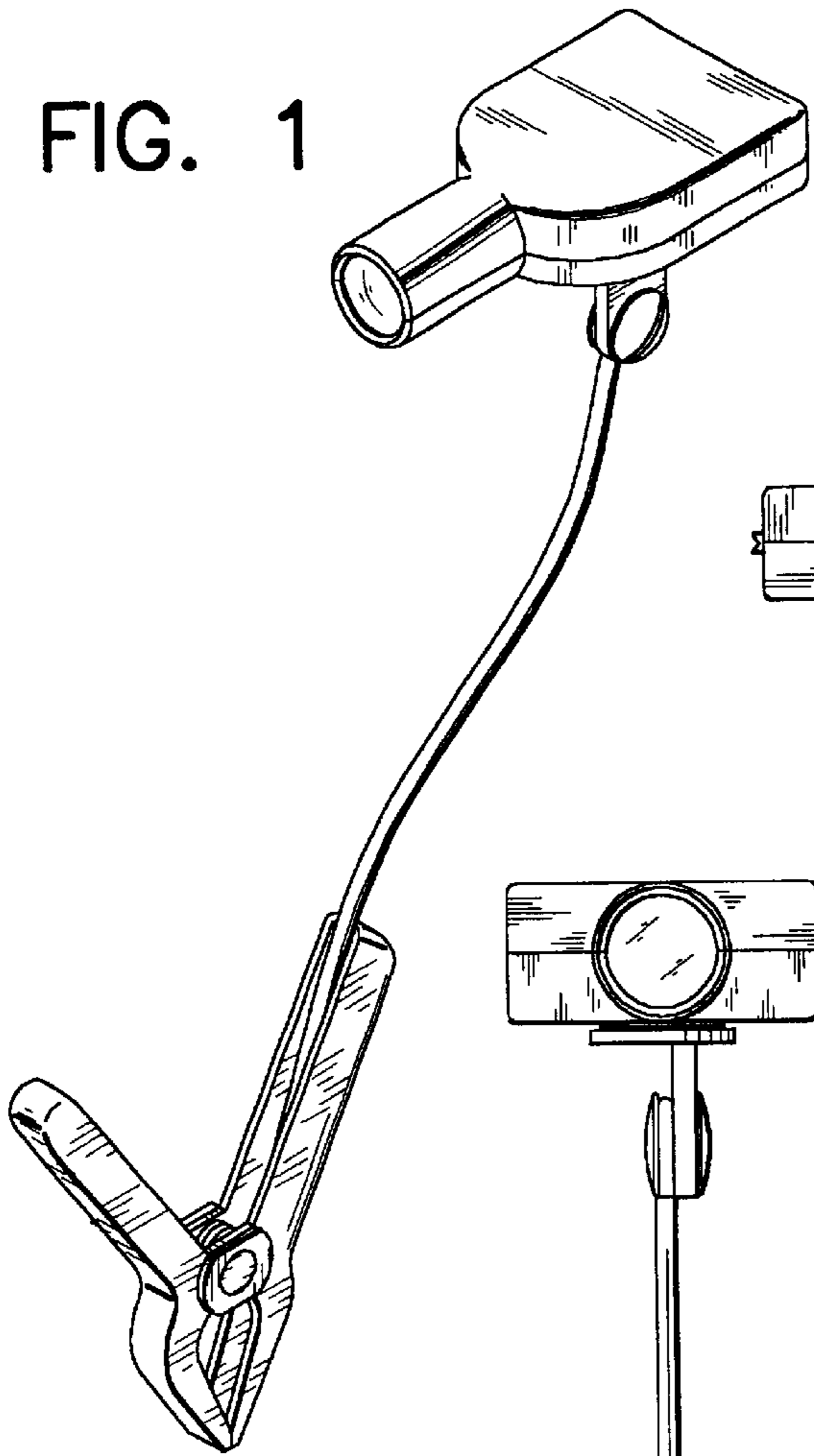


FIG. 2

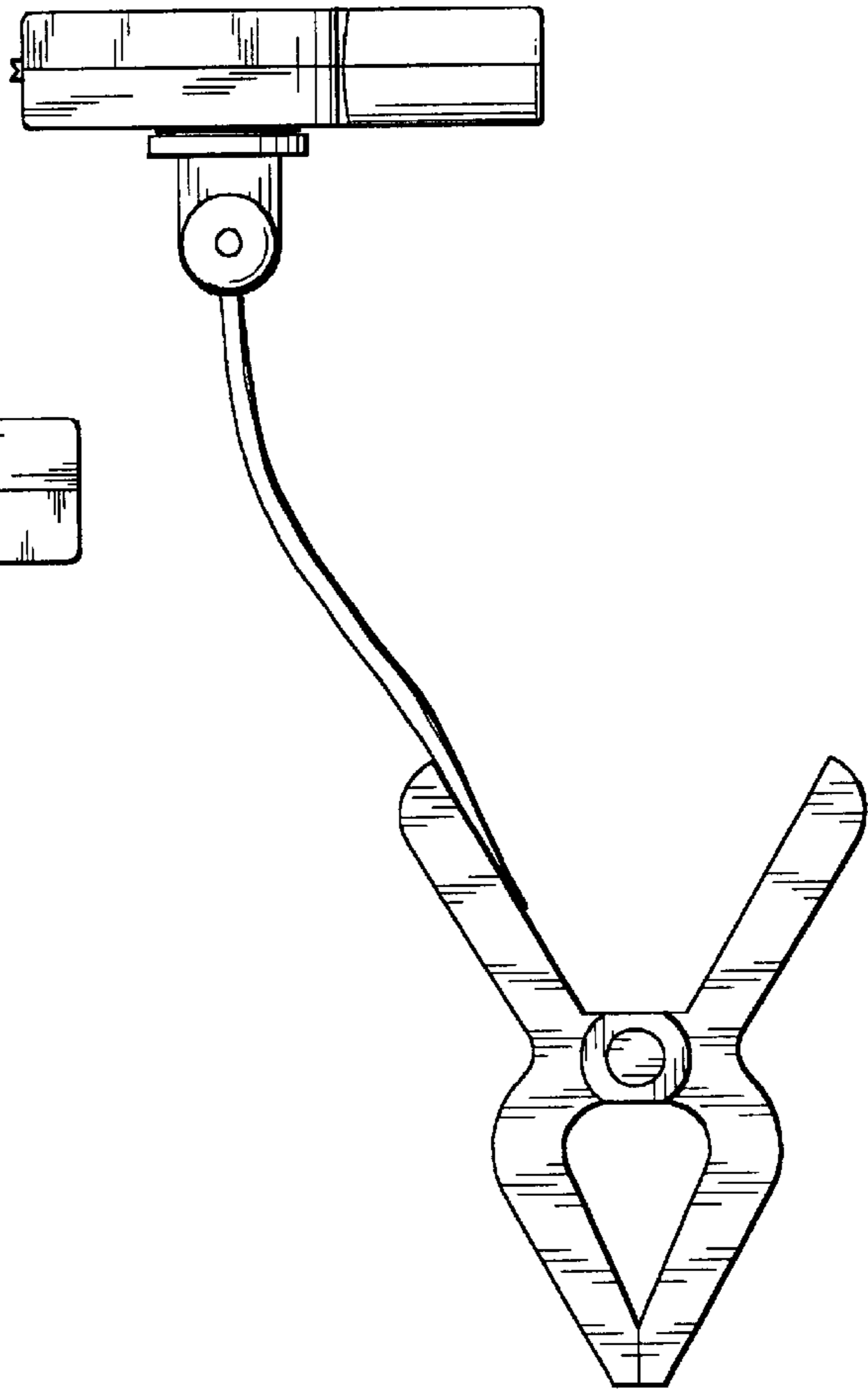
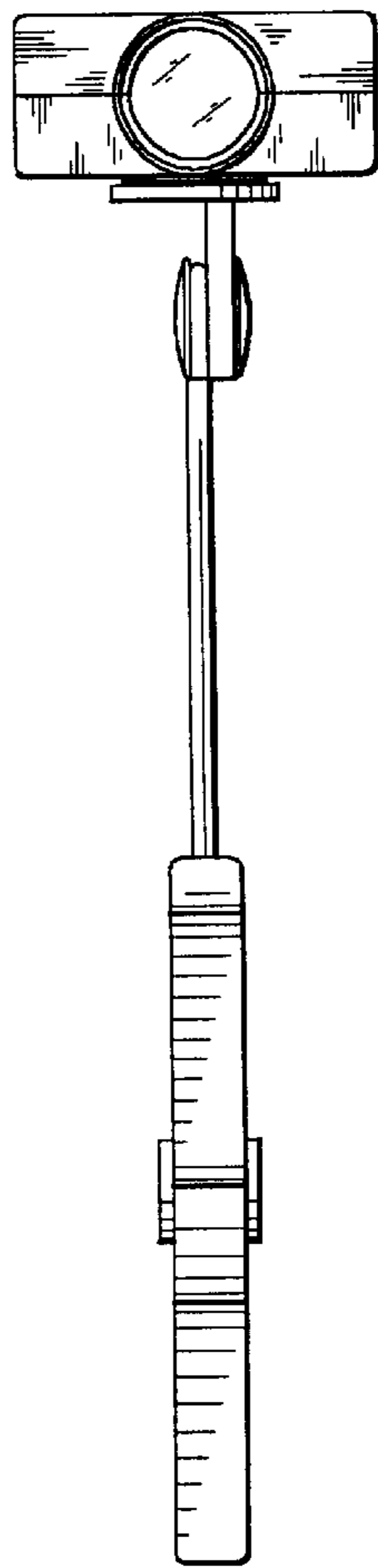


FIG. 3



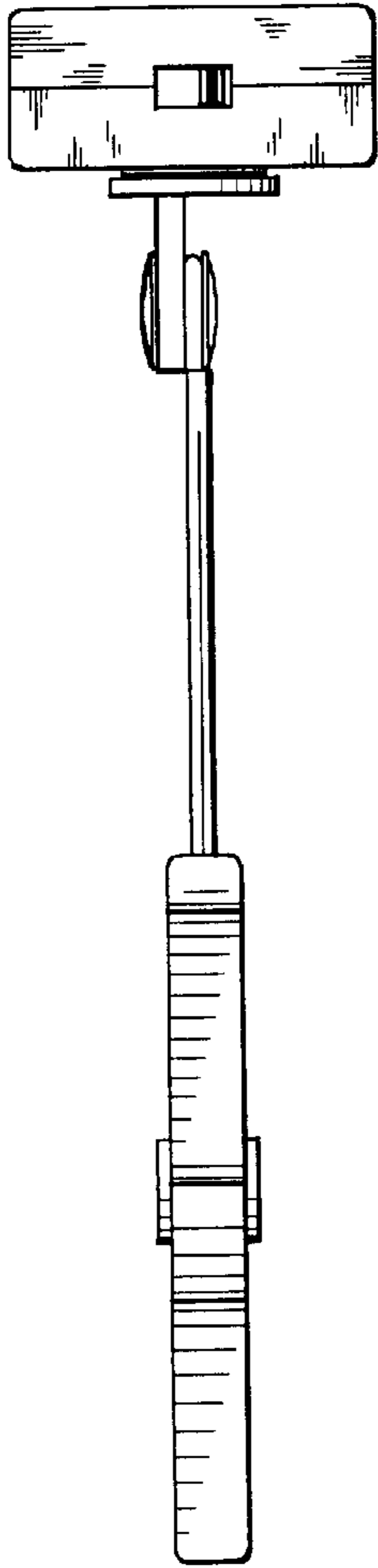


FIG. 4

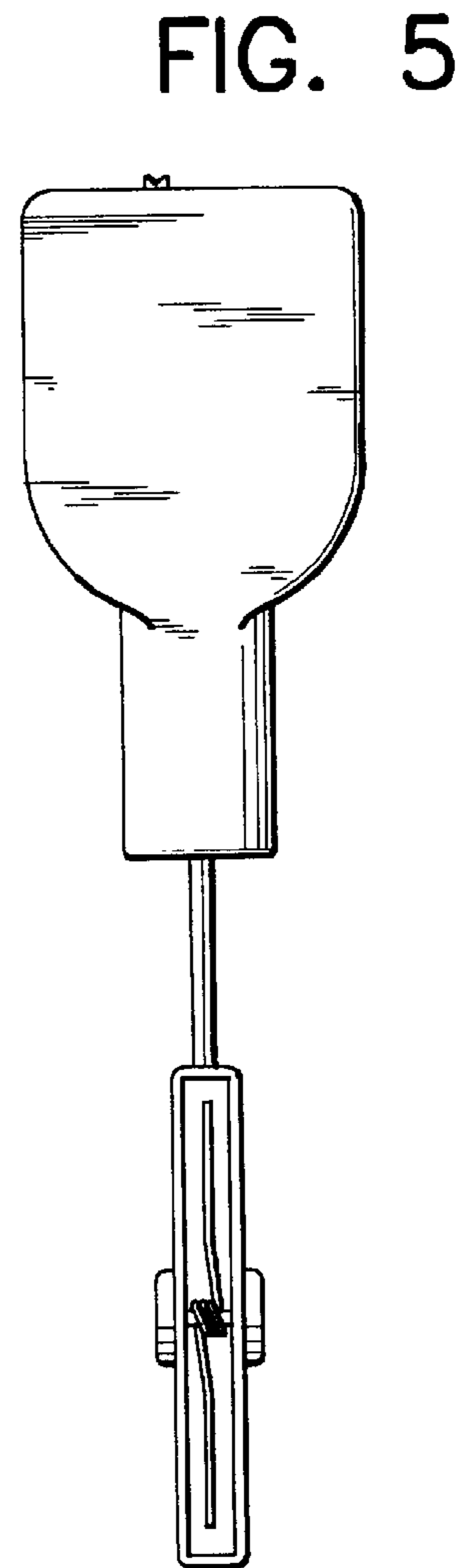


FIG. 5

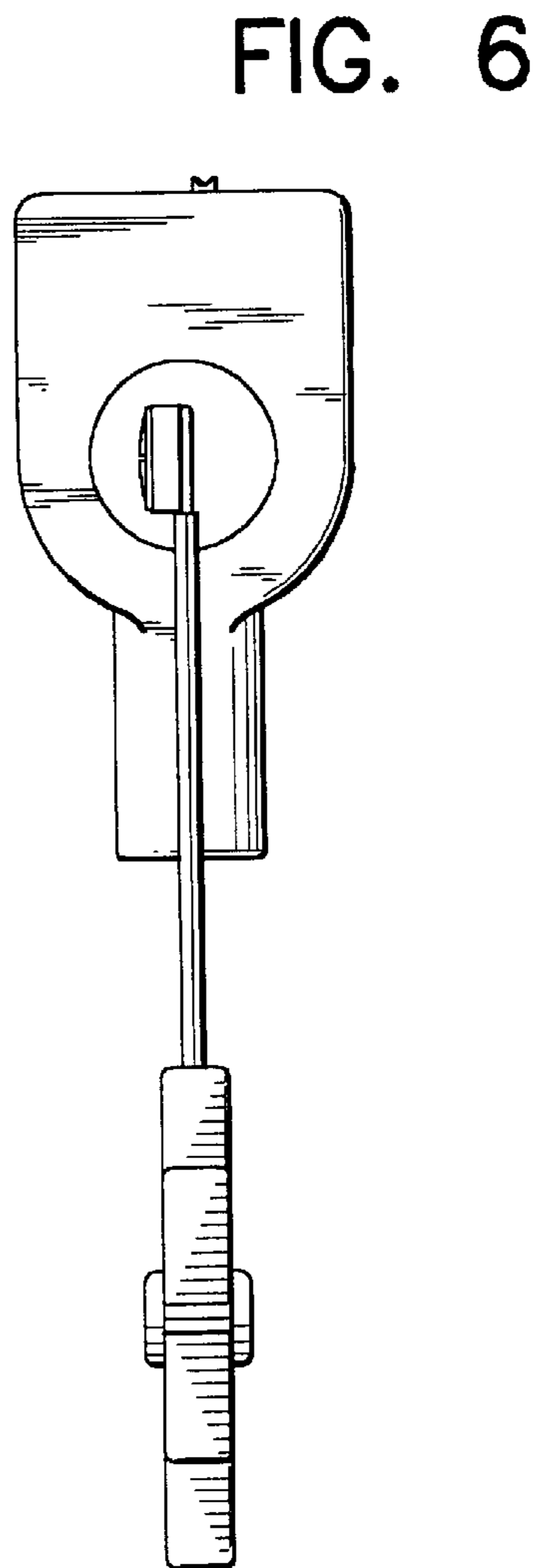


FIG. 6