



US00D482804S

(12) **United States Design Patent**
Schwagermann

(10) **Patent No.:** **US D482,804 S**

(45) **Date of Patent:** **** Nov. 25, 2003**

(54) **PARTITIONING WALL FOR POULTRY NESTS**

D411,628 S * 6/1999 Dyer D25/138

* cited by examiner

(75) **Inventor:** **Leendert Q. Schwagermann**, Sloten (NL)

Primary Examiner—Doris Clark

(73) **Assignee:** **Jansen Holding B.V.**, Barneveld (NL)

(74) *Attorney, Agent, or Firm*—Browdy and Neimark, P.L.L.C.

(**) **Term:** **14 Years**

(57) **CLAIM**

(21) **Appl. No.:** **29/173,320**

The ornamental design for a partitioning wall for poultry nests, as shown and described.

(22) **Filed:** **Dec. 27, 2002**

DESCRIPTION

(30) **Foreign Application Priority Data**

Jun. 27, 2002 (WO) DM/060 806

FIG. 1 is a front perspective view of the partitioning wall for poultry nests;

(51) **LOC (7) Cl.** **25-01**

FIG. 2 is a top view thereof;

(52) **U.S. Cl.** **D25/138**

FIG. 3 is a side elevational view thereof from one side;

(58) **Field of Search** D25/138, 58; 52/223.6, 52/474, 475.1, 476; D30/108, 2, 115; 119/482, 436, 416, 437, 445, 487

FIG. 4 is a side elevational view thereof from the opposite side of FIG. 3;

FIG. 5 is a rear elevational view thereof; and,

FIG. 6 is a bottom plan view thereof.

(56) **References Cited**

U.S. PATENT DOCUMENTS

1,715,175 A * 5/1929 Stark et al. 119/482

1 Claim, 2 Drawing Sheets

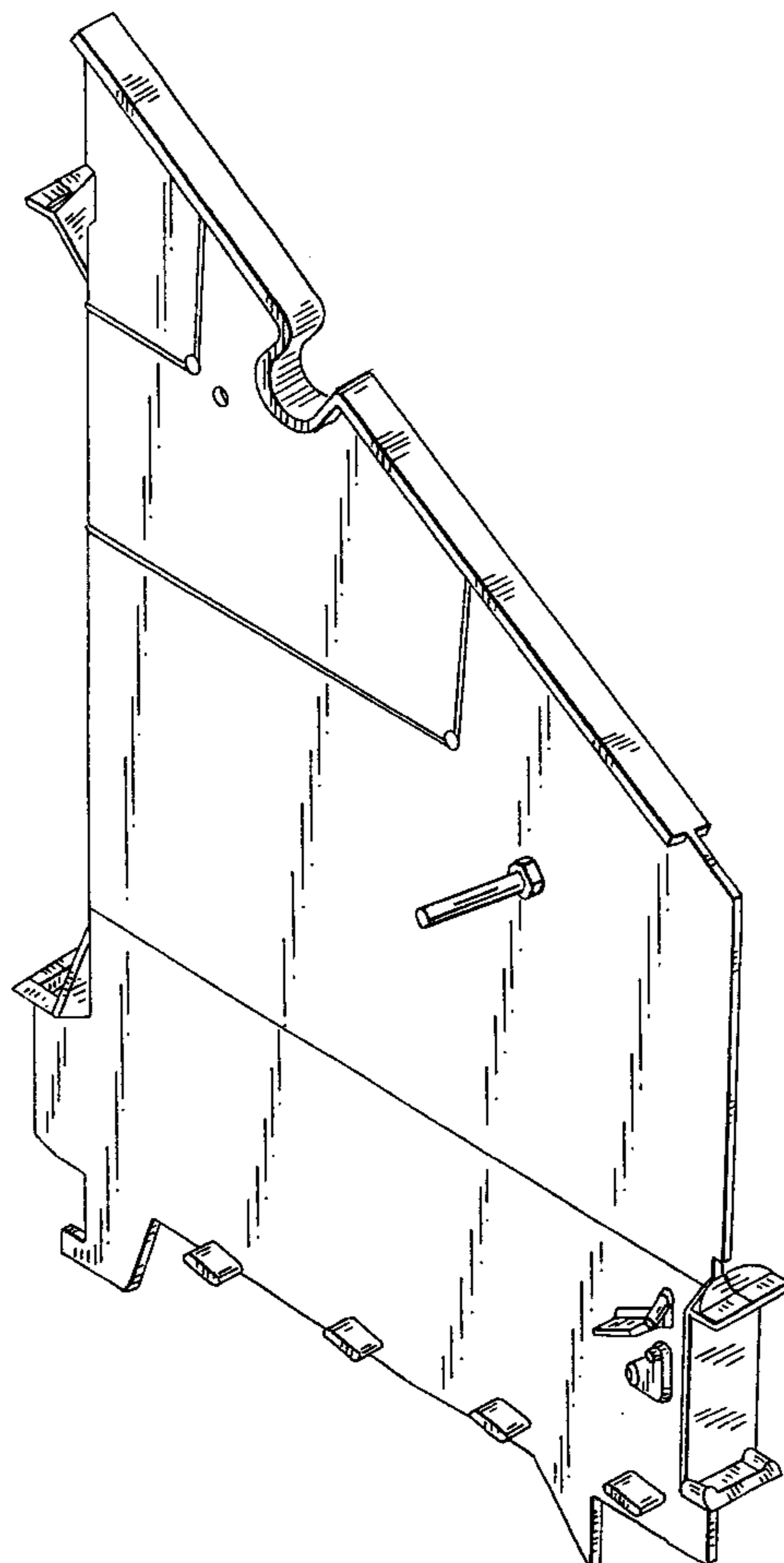


FIG. 1

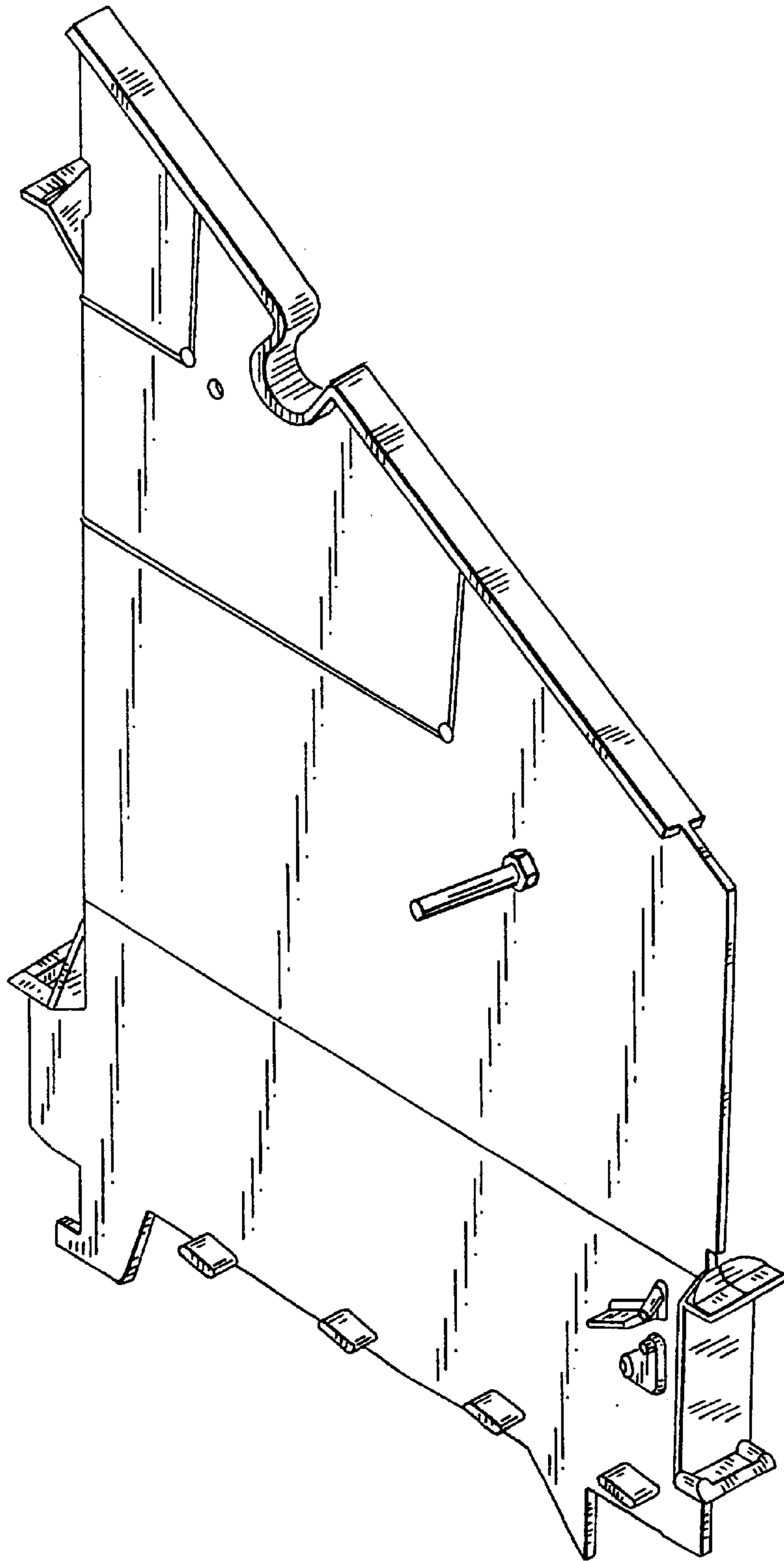


FIG. 2

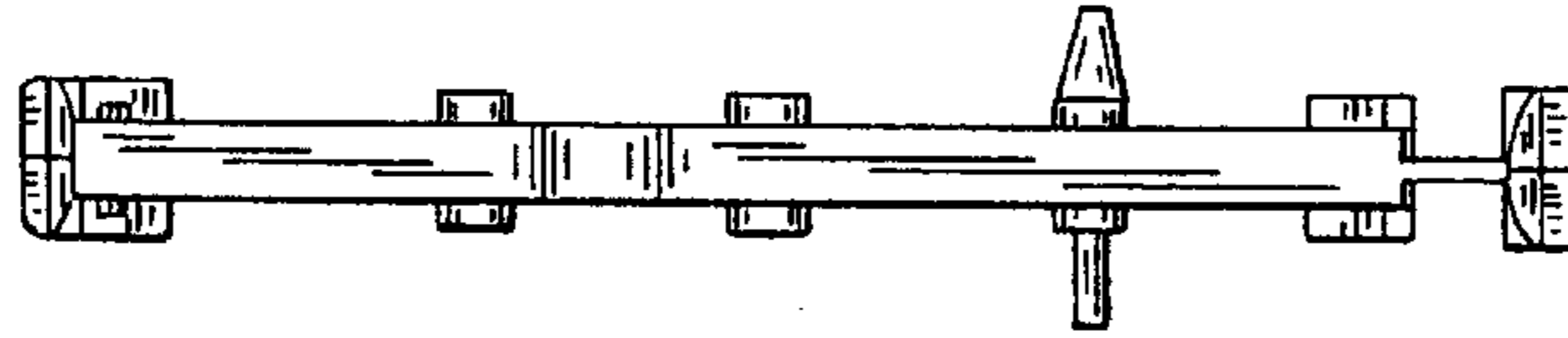


FIG. 4

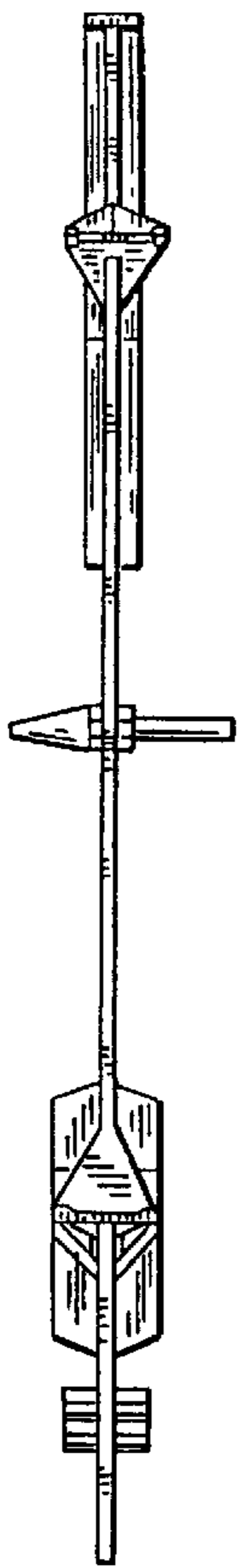


FIG. 3

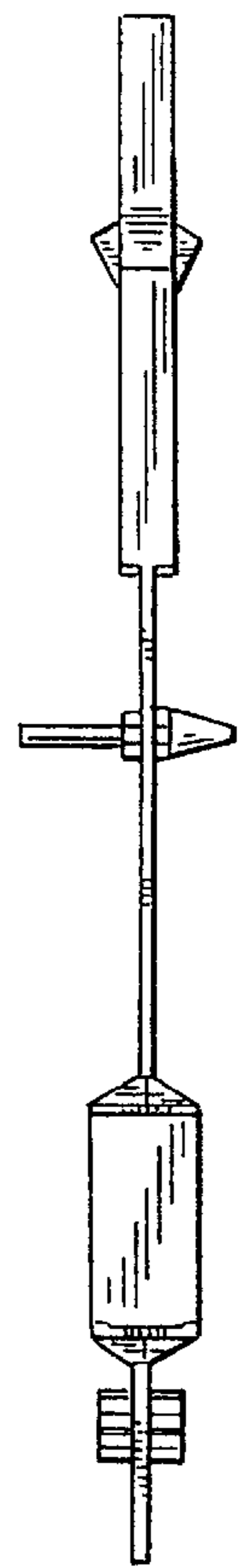


FIG. 5

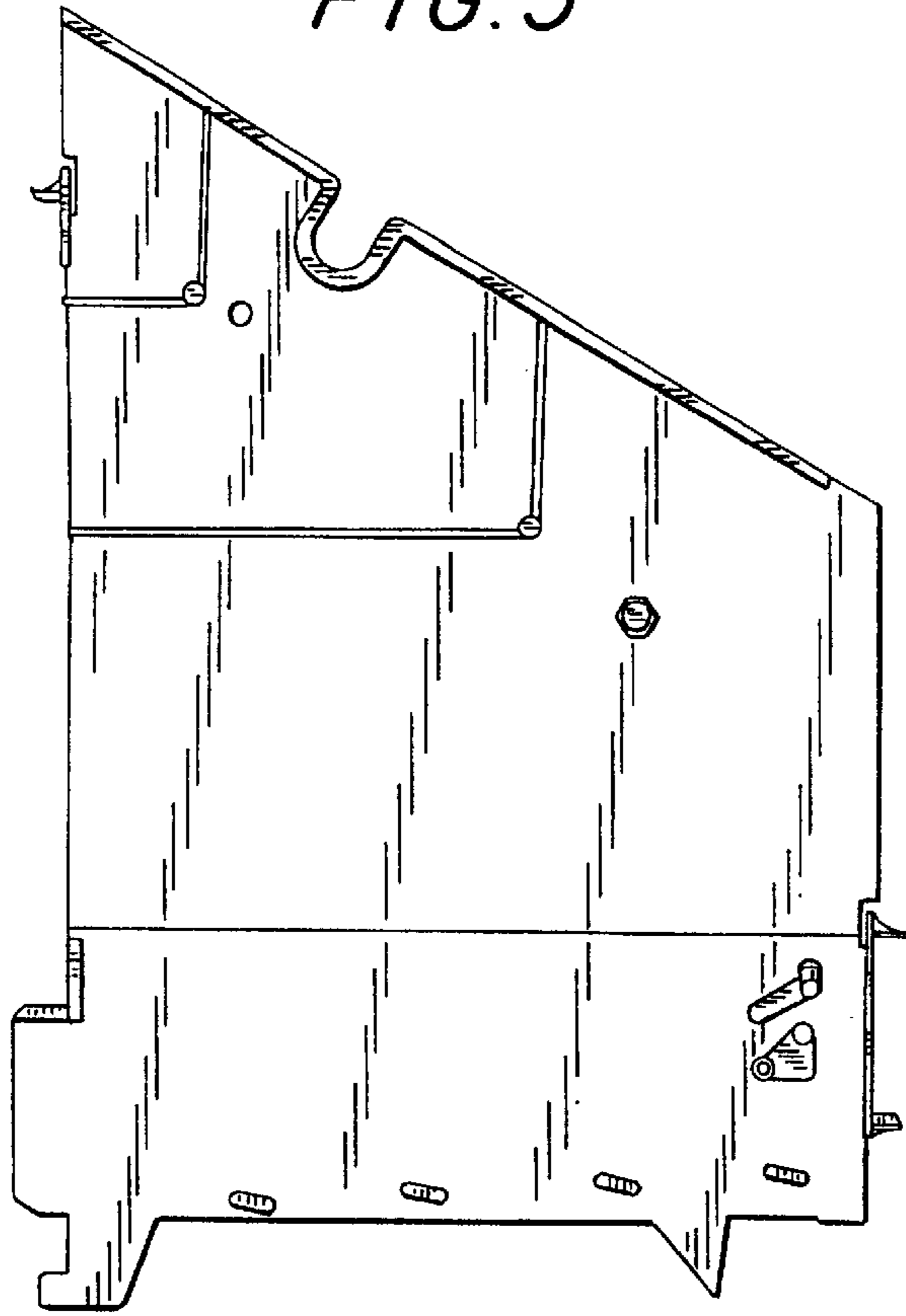


FIG. 6

