



US00D482801S

(12) **United States Design Patent**
Dice et al.

(10) **Patent No.:** **US D482,801 S**

(45) **Date of Patent:** **** Nov. 25, 2003**

(54) **REVETMENT BLOCK**

(75) Inventors: **Derek W. Dice**, Bowling Green, KY (US); **Kenneth L. McAllister**, Bowling Green, KY (US); **Kenny W. McCoy**, Morgantown, KY (US)

(73) Assignee: **Lee Masonry Products, LLC**, Bowling Green, KY (US)

(**) Term: **14 Years**

(21) Appl. No.: **29/159,157**

(22) Filed: **Apr. 15, 2002**

(51) **LOC (7) Cl.** **25-01**

(52) **U.S. Cl.** **D25/115**

(58) **Field of Search** D25/112-118, D25/164; D21/484-486, 488-497, 499-505; 404/17, 27-31, 34, 37-42; 52/102, 574-576, 596, 600-602, 603-605, 606-607, 608-609; 405/16, 284

(56) **References Cited**

U.S. PATENT DOCUMENTS

1,045,328 A	11/1912	Sammis
2,605,681 A	8/1952	Trief
3,903,702 A	9/1975	Appleton
3,923,410 A	12/1975	Jordan et al.
4,227,829 A	10/1980	Landry, Jr.
4,370,075 A	1/1983	Scales
4,499,664 A	2/1985	Scales
4,564,111 A	1/1986	Suttles

4,564,311 A	*	1/1986	Scales	52/596 X
4,919,565 A		4/1990	Gopfert		
5,484,230 A		1/1996	Rudloff		
5,779,391 A		7/1998	Knight		
D399,577 S		10/1998	Scales		
5,906,456 A		5/1999	Knight		
5,921,710 A		7/1999	Scales		
D465,034 S	*	10/2002	Mondo	D25/113

FOREIGN PATENT DOCUMENTS

GB 1567155 * 5/1980 D25/113

* cited by examiner

Primary Examiner—Louis S. Zarfes

Assistant Examiner—Robert A. Delehanty

(74) *Attorney, Agent, or Firm*—Laura M. Hagan; Kerrick, Grise, Stivers & Coyle, P.L.C.

(57) **CLAIM**

The ornamental design for the “revetment block,” as shown and described.

DESCRIPTION

FIG. 1 is a top perspective view of the “revetment block” showing our new design;

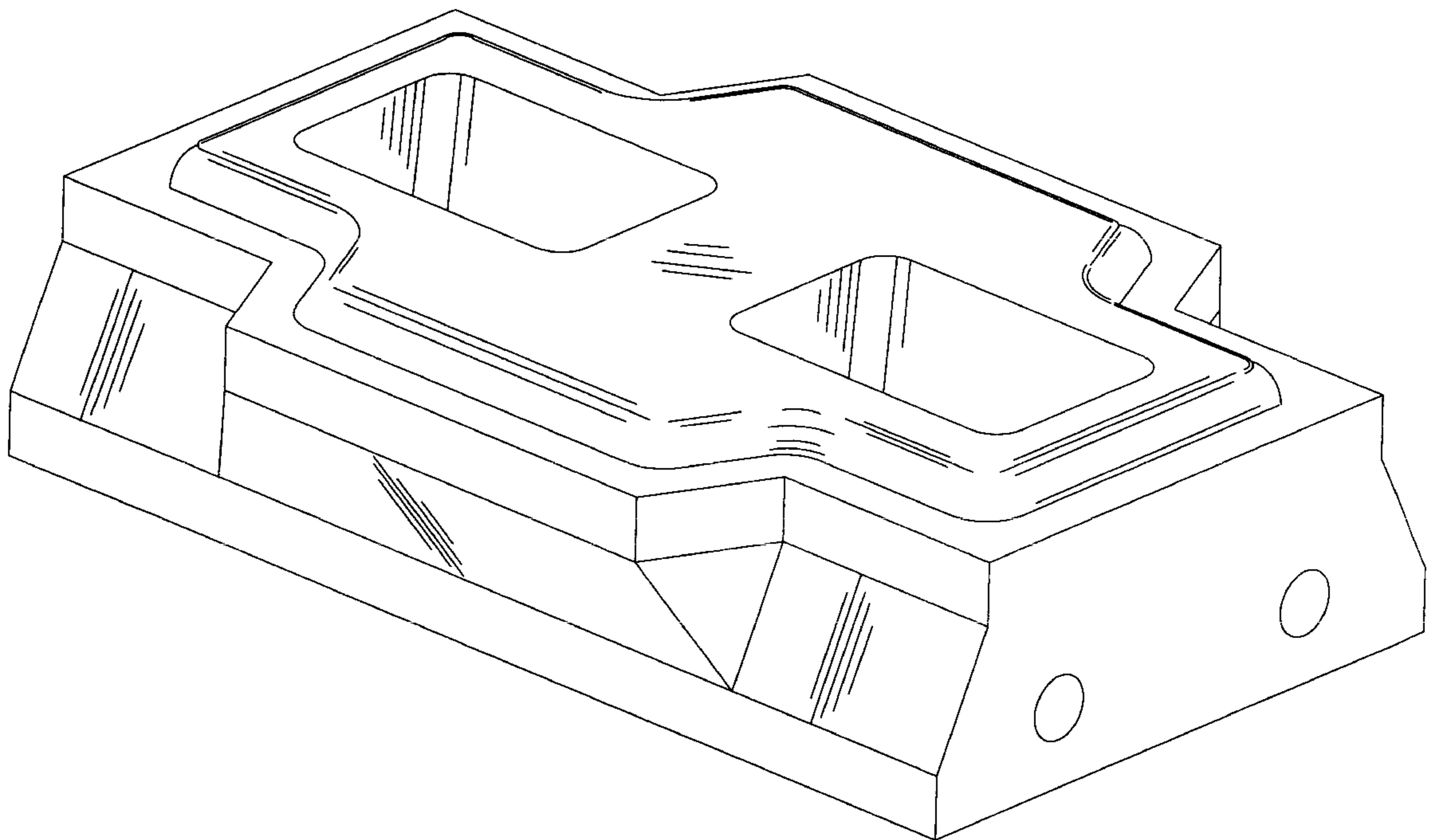
FIG. 2 is a top plan view thereof;

FIG. 3 is a bottom plan view thereof;

FIG. 4 is a right side elevation view thereof, the left side view being a mirror image of that shown; and,

FIG. 5 is a front elevation view thereof, the rear view being a mirror image of that shown.

1 Claim, 5 Drawing Sheets



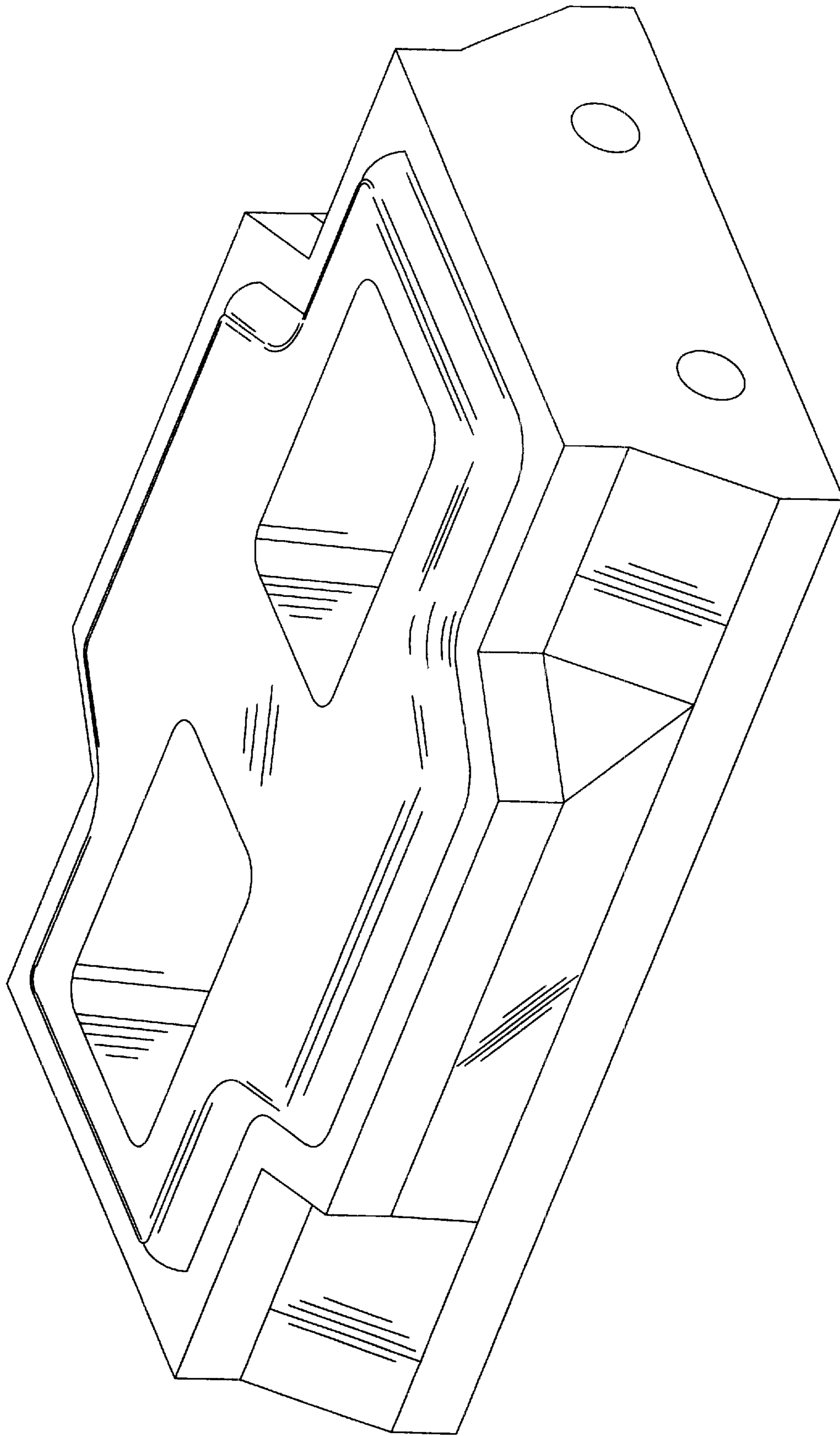


FIG 1.

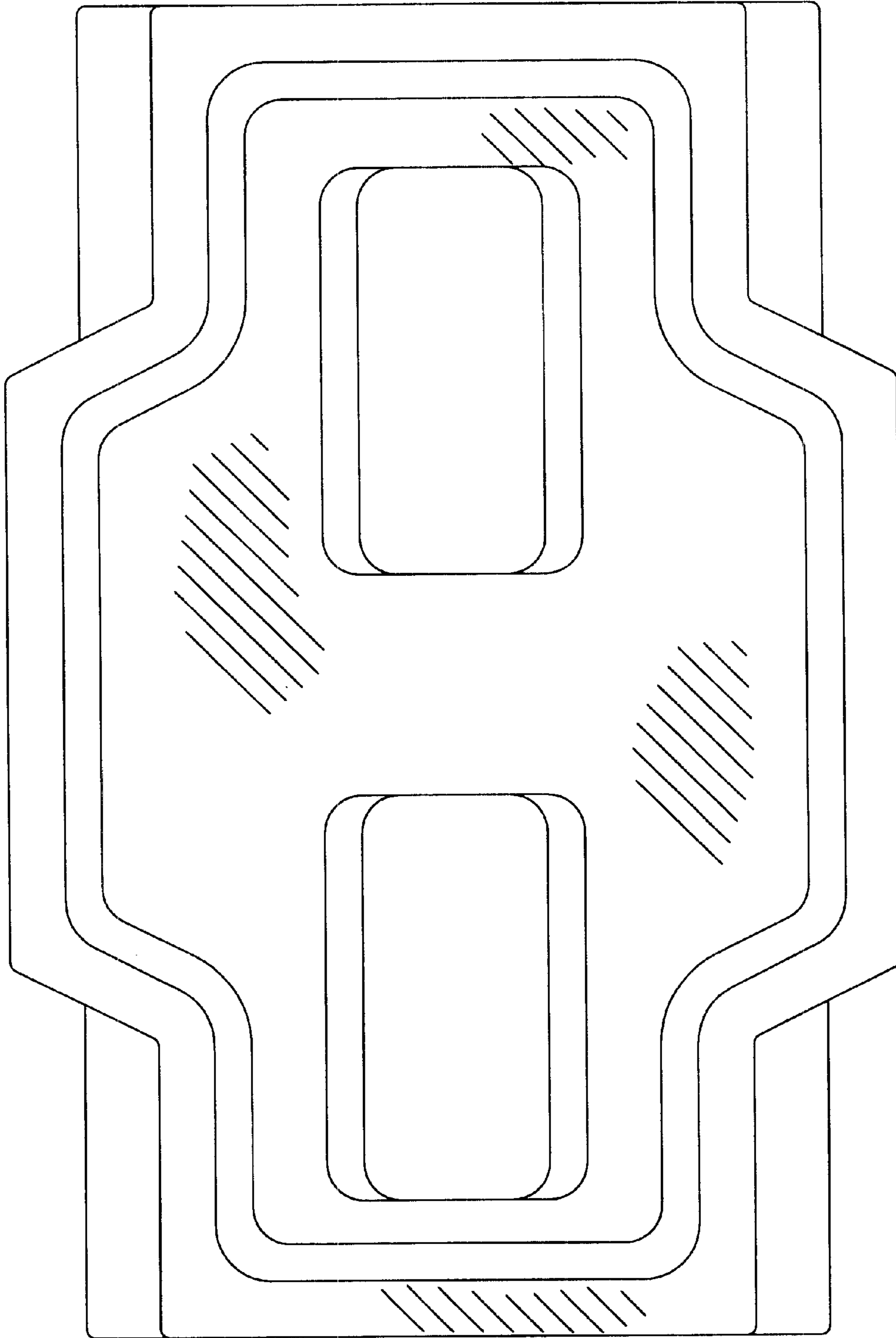


FIG. 2

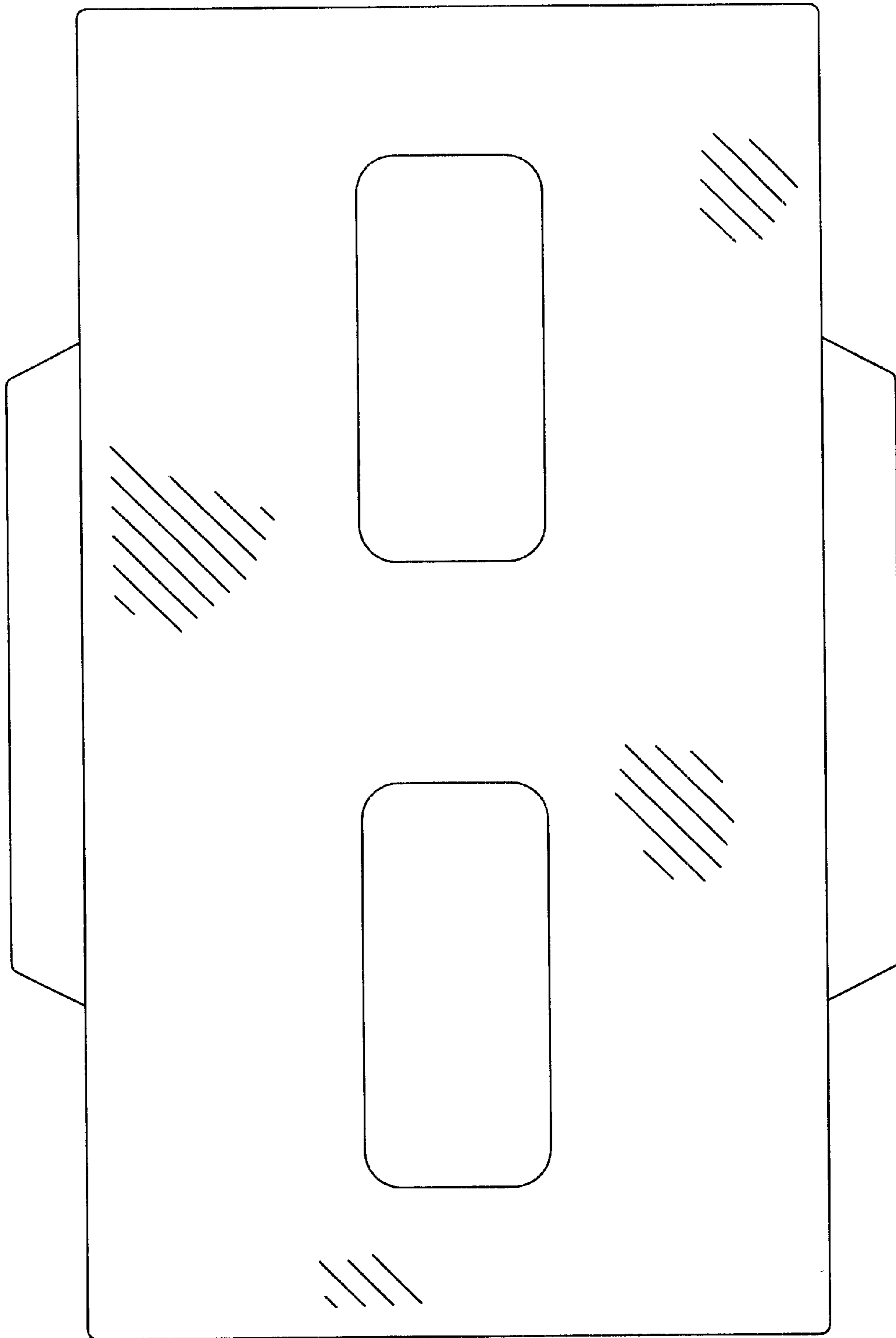


FIG. 3

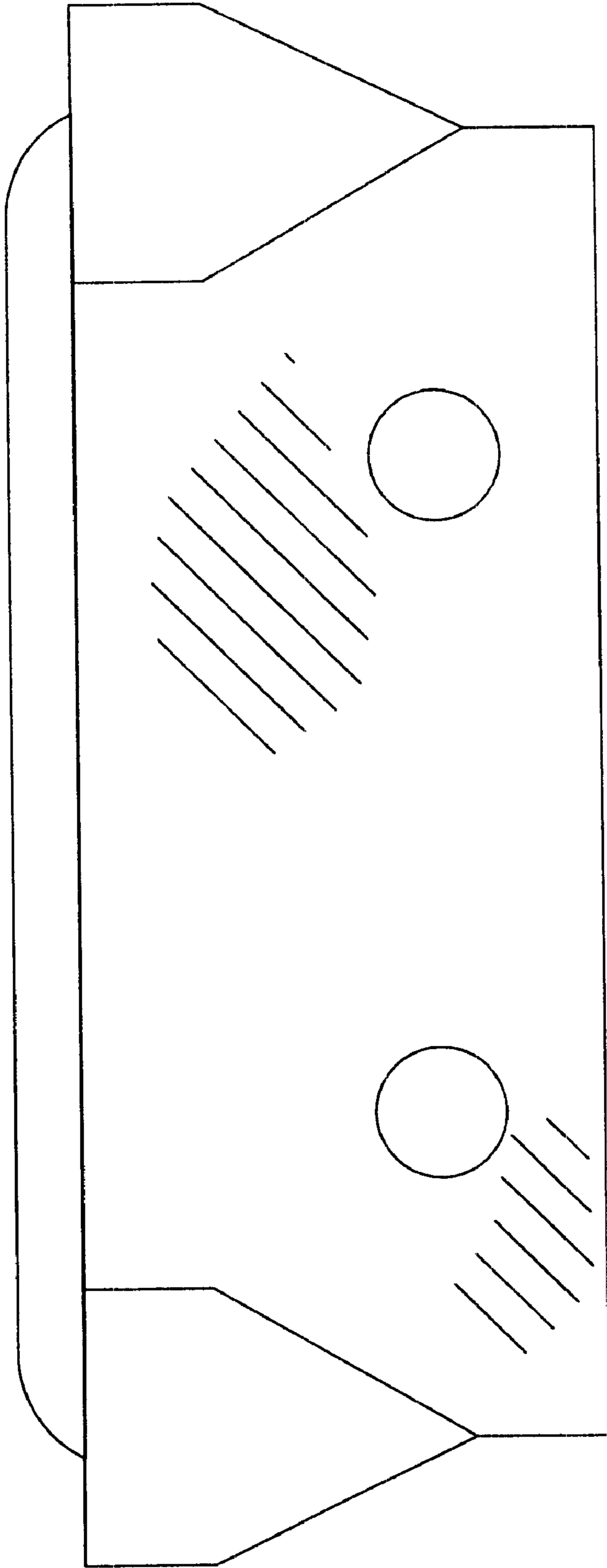


FIG. 4

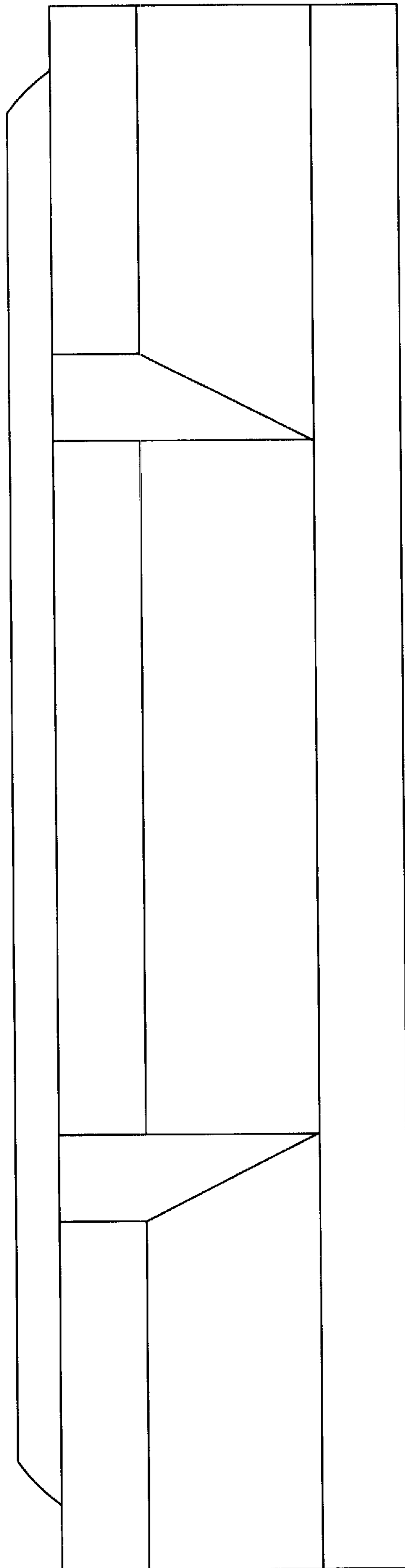


FIG. 5