



US00D482798S

(12) **United States Design Patent**
Wang

(10) **Patent No.:** **US D482,798 S**

(45) **Date of Patent:** **** Nov. 25, 2003**

(54) **ONE TIER GAZEBO**

D420,751 S * 2/2000 Powell et al. D25/56
D458,689 S 6/2002 Wang

(75) Inventor: **Leo Chi-Hong Wang**, Arcadia, CA
(US)

* cited by examiner

(73) Assignee: **Dragon Claw (U.S.A.) Incorporated**,
Irwindale, CA (US)

Primary Examiner—Doris Clark

(74) *Attorney, Agent, or Firm*—Thomas I. Rozsa; Tony D.
Chen

(**) Term: **14 Years**

(57) **CLAIM**

(21) Appl. No.: **29/164,103**

The ornamental design for a one tier gazebo, as shown and
described.

(22) Filed: **Jul. 17, 2002**

(51) **LOC (7) Cl.** **25-02**

(52) **U.S. Cl.** **D25/56**

(58) **Field of Search** D25/1, 61, 56;
52/82; 135/87, 90, 907, 908

DESCRIPTION

FIG. 1 is a perspective view of a framework for a one tier
gazebo, showing my new design;

FIG. 2 is a side elevational view thereof; all of the sides
being identical; and,

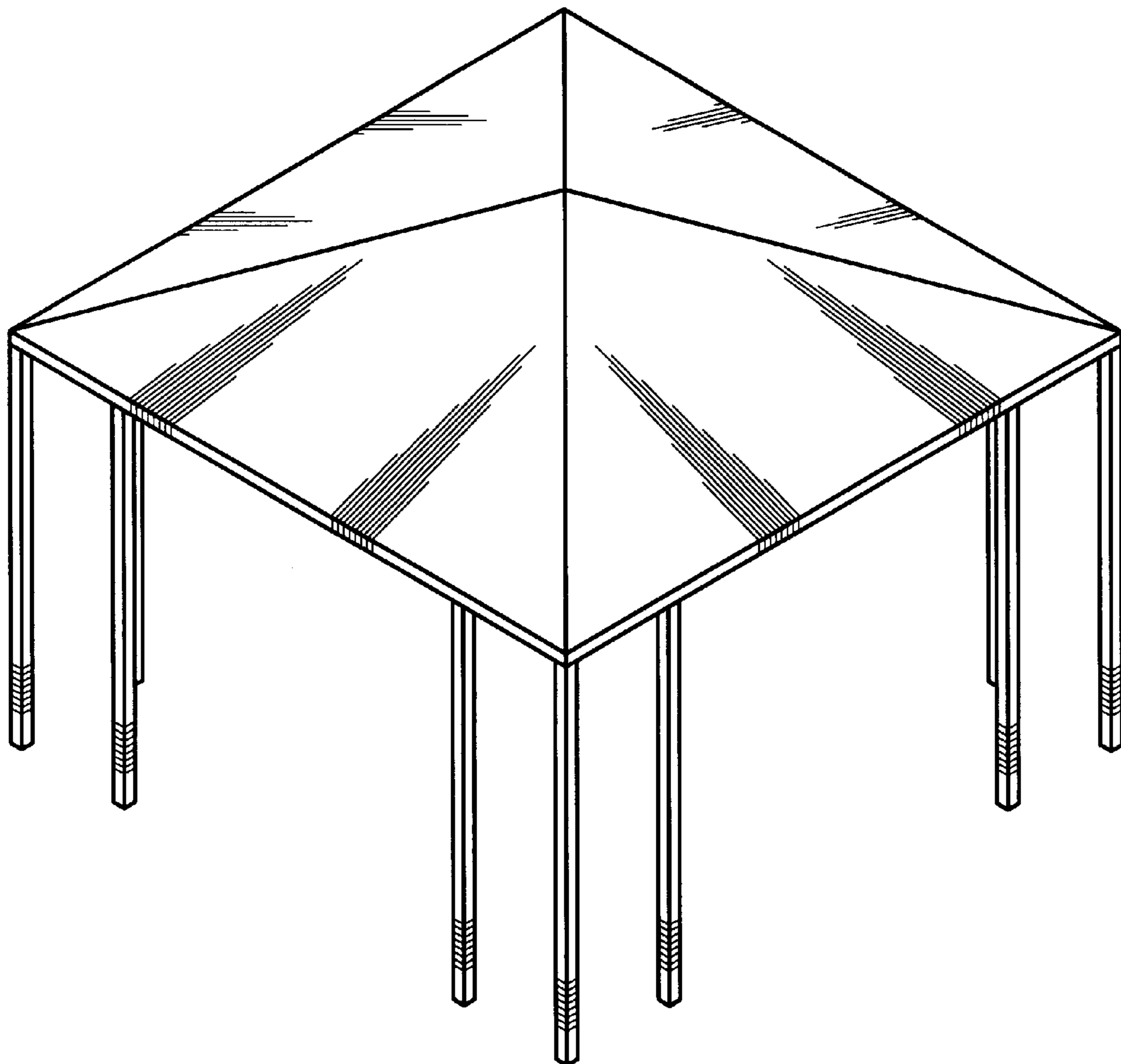
FIG. 3 is a top plan view thereof.

(56) **References Cited**

U.S. PATENT DOCUMENTS

D385,969 S * 11/1997 Kievit D25/56

1 Claim, 2 Drawing Sheets



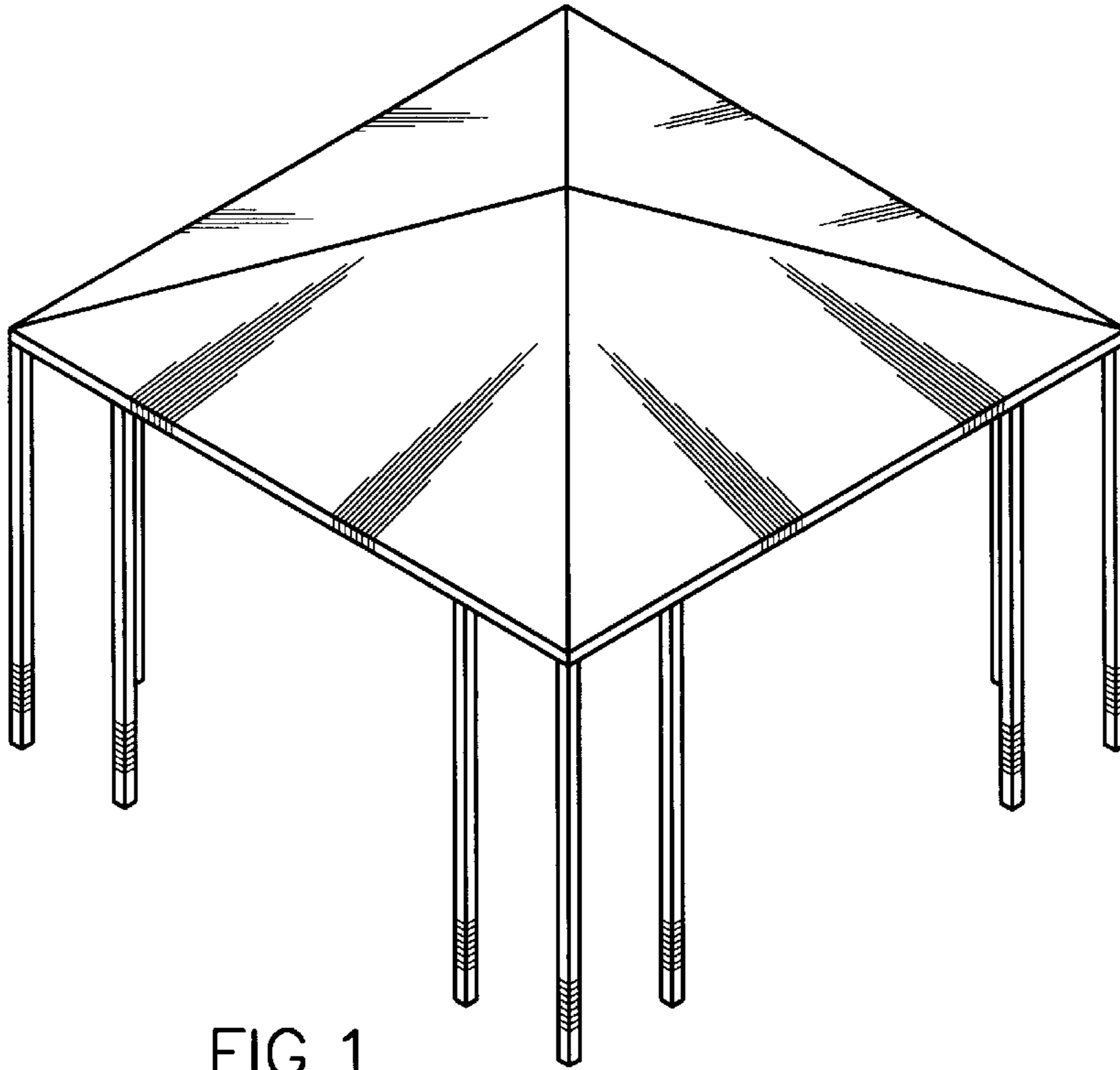


FIG. 1

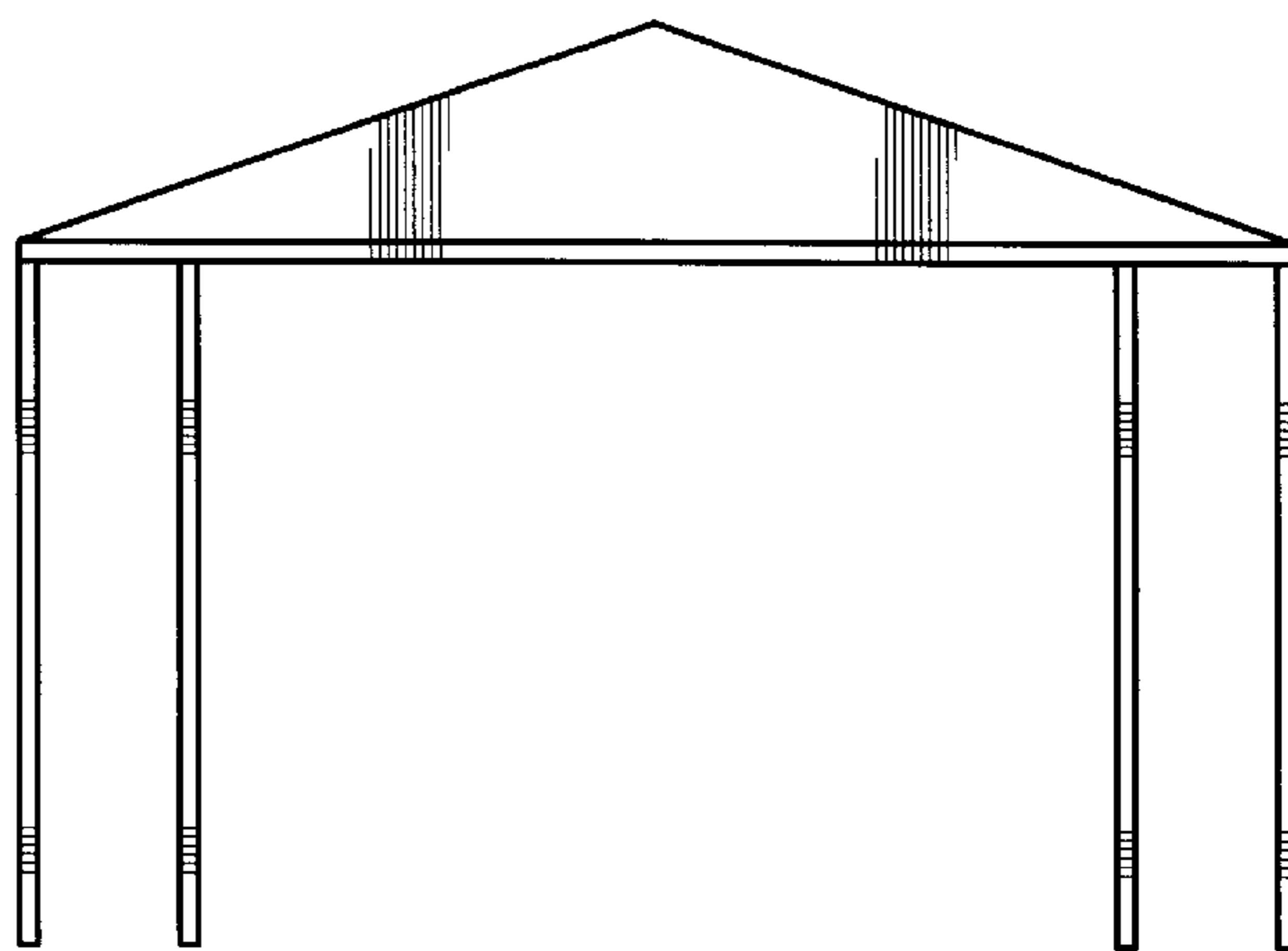


FIG. 2

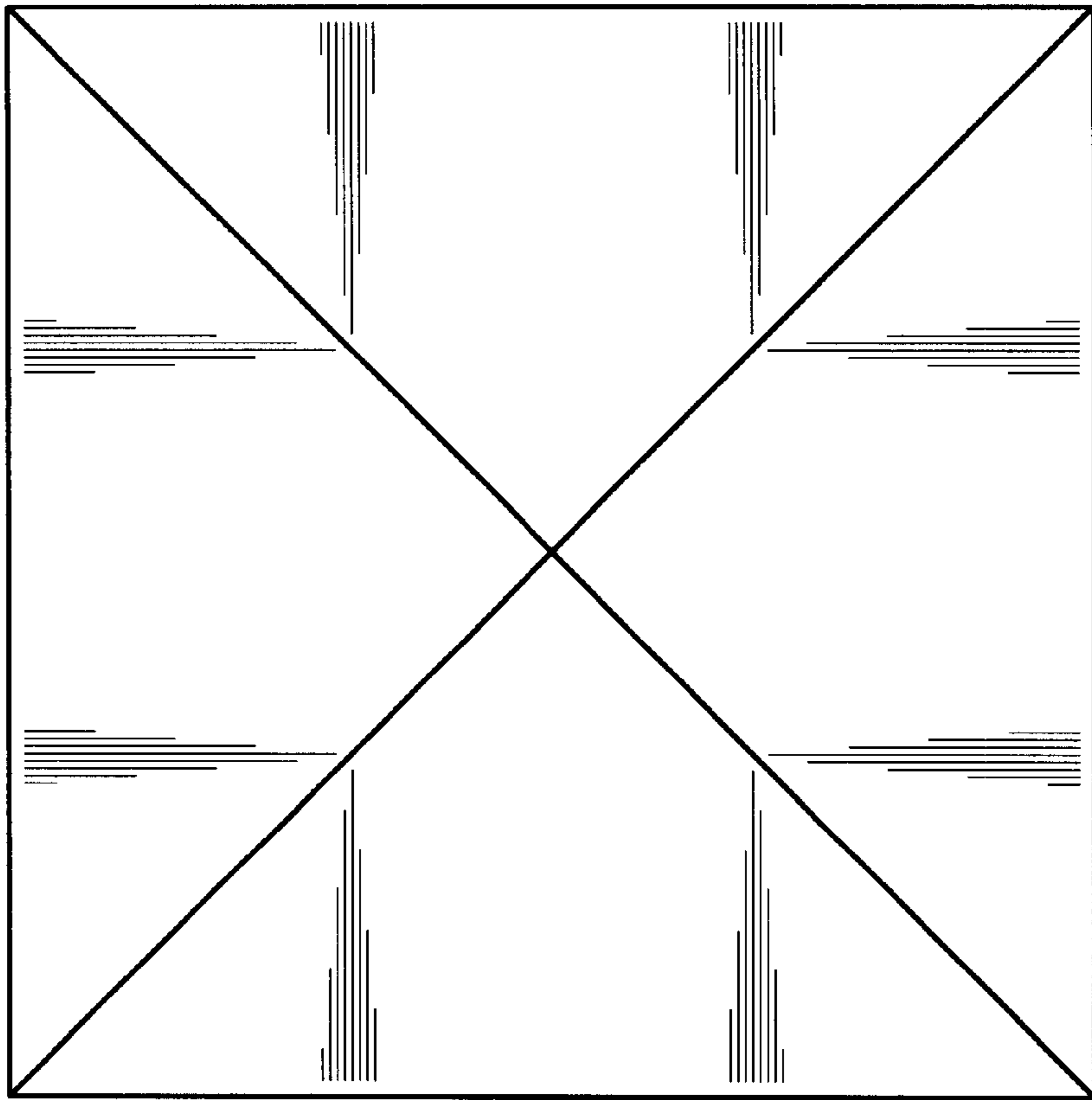


FIG.3