



US00D482796S

(12) **United States Design Patent**
Oyama et al.

(10) **Patent No.:** **US D482,796 S**

(45) **Date of Patent:** **** Nov. 25, 2003**

(54) **SAMPLE ANALYZER**

D467,349 S * 12/2002 Niedbala et al. D24/232

* cited by examiner

(75) Inventors: **Yasuhiro Oyama**, Kobe (JP);
Kazuyuki Sakurai, Akashi (JP); **Yoichi Nakamura**, Kobe (JP); **Noriyoshi Yoshida**, Kobe (JP); **Kazutoshi Tokunaga**, Kakogawa (JP); **Masami Ishizaki**, Fujimi (JP)

Primary Examiner—Ian Simmons

(74) *Attorney, Agent, or Firm*—Cohen, Pontani, Lieberman & Pavane

(73) Assignee: **Sysmex Corporation**, Hyogo (JP)

(57) **CLAIM**

The ornamental design for a sample analyzer, as shown and described.

(**) Term: **14 Years**

DESCRIPTION

(21) Appl. No.: **29/156,653**

FIG. 1 is a front view of a sample analyzer showing our new design;

(22) Filed: **Mar. 4, 2002**

FIG. 2 is a rear view of the sample analyzer of FIG. 1;

(30) **Foreign Application Priority Data**

Sep. 11, 2001 (JP) 2001-026683

FIG. 3 is a right side view of the sample analyzer of FIG. 1;

(51) **LOC (7) Cl.** **24-01**

(52) **U.S. Cl.** **D24/232**

(58) **Field of Search** D24/231, 232,
D24/186; D10/81; 422/102, 100, 67, 68.1,
99, 81, 63, 89, 69.1

FIG. 4 is a left side view of the sample analyzer of FIG. 1;

FIG. 5 is a top plan view of the sample analyzer of FIG. 1;

FIG. 6 is a bottom plan view of the sample analyzer of FIG. 1;

FIG. 7 is a cross-sectional view of the sample analyzer taken along the lines 7—7 in FIG. 1;

FIG. 8 is a cross-sectional view of the sample analyzer taken along the lines 8—8 in FIG. 1; and,

FIG. 9 is a perspective view of the sample analyzer of FIG. 1 in which a vessel accommodation rack is attached to the sample analyzer and the opening/closing port is open.

The broken lines in FIG. 9 are for illustrative purposes only and form no part of the claimed design.

(56) **References Cited**

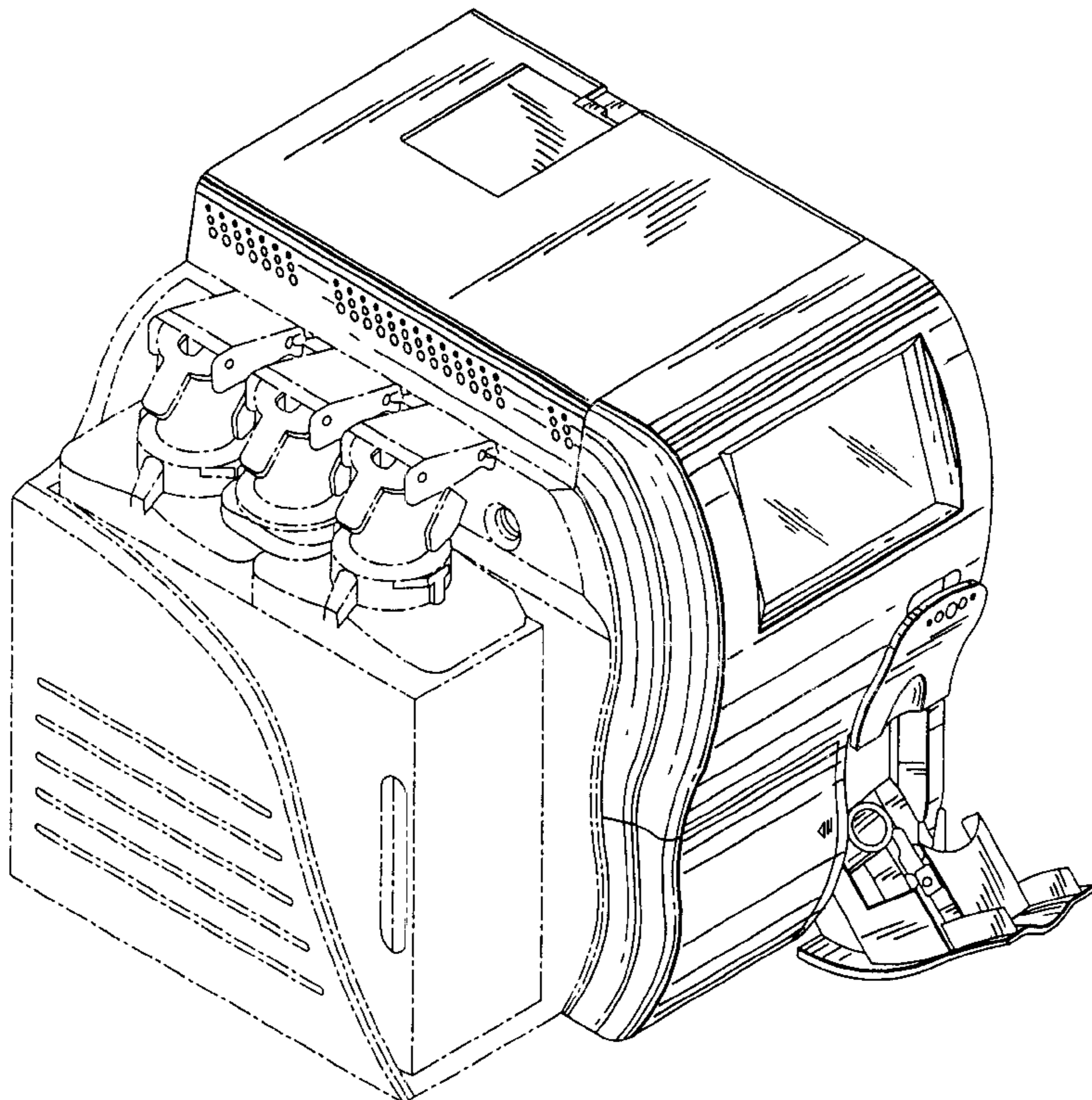
U.S. PATENT DOCUMENTS

D381,749 S * 7/1997 Lawrence et al. D24/232

D381,756 S * 7/1997 Ohnuma et al. D24/232

D424,956 S * 5/2000 von Buelow et al. D10/81

1 Claim, 9 Drawing Sheets



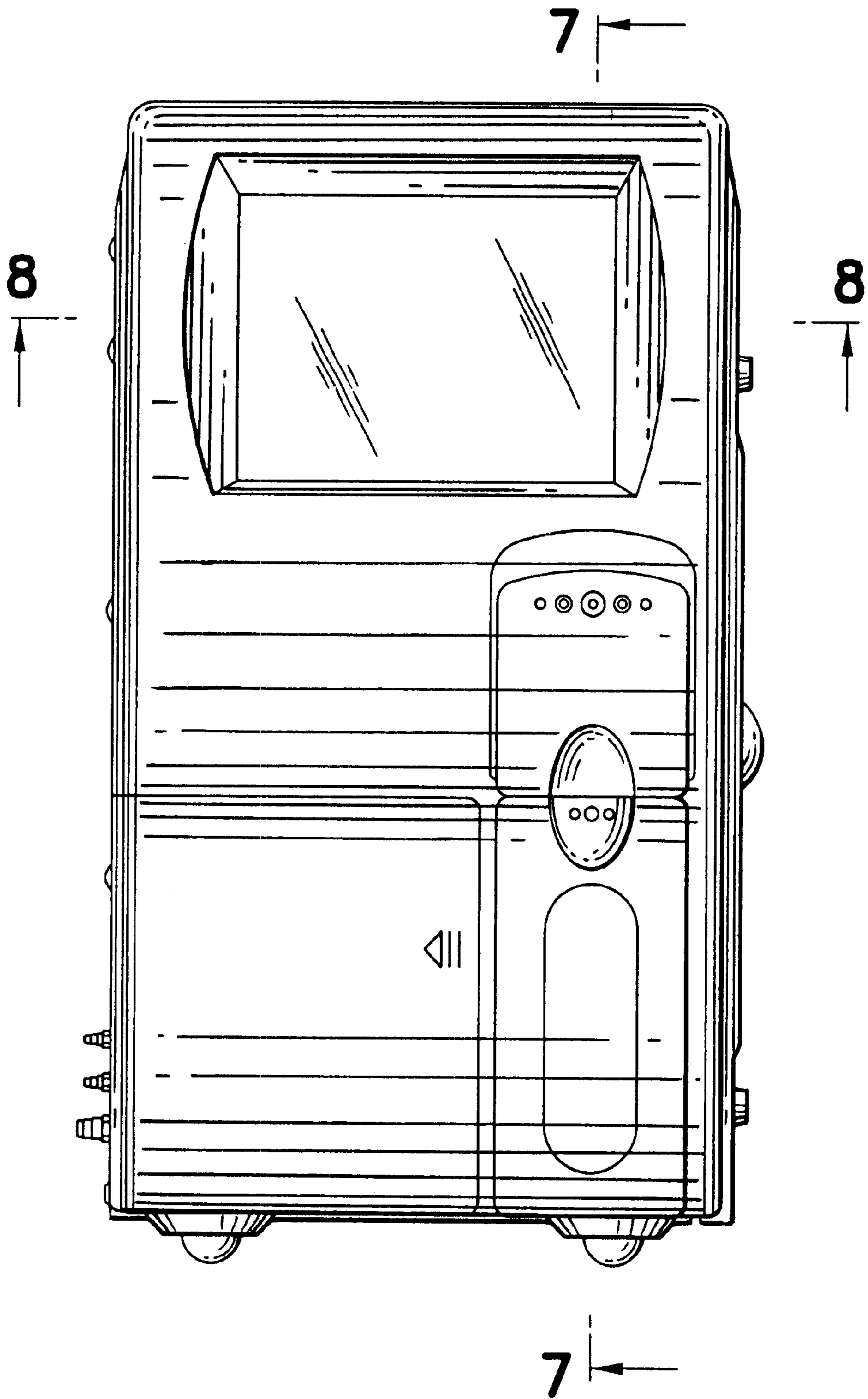


FIG. 1

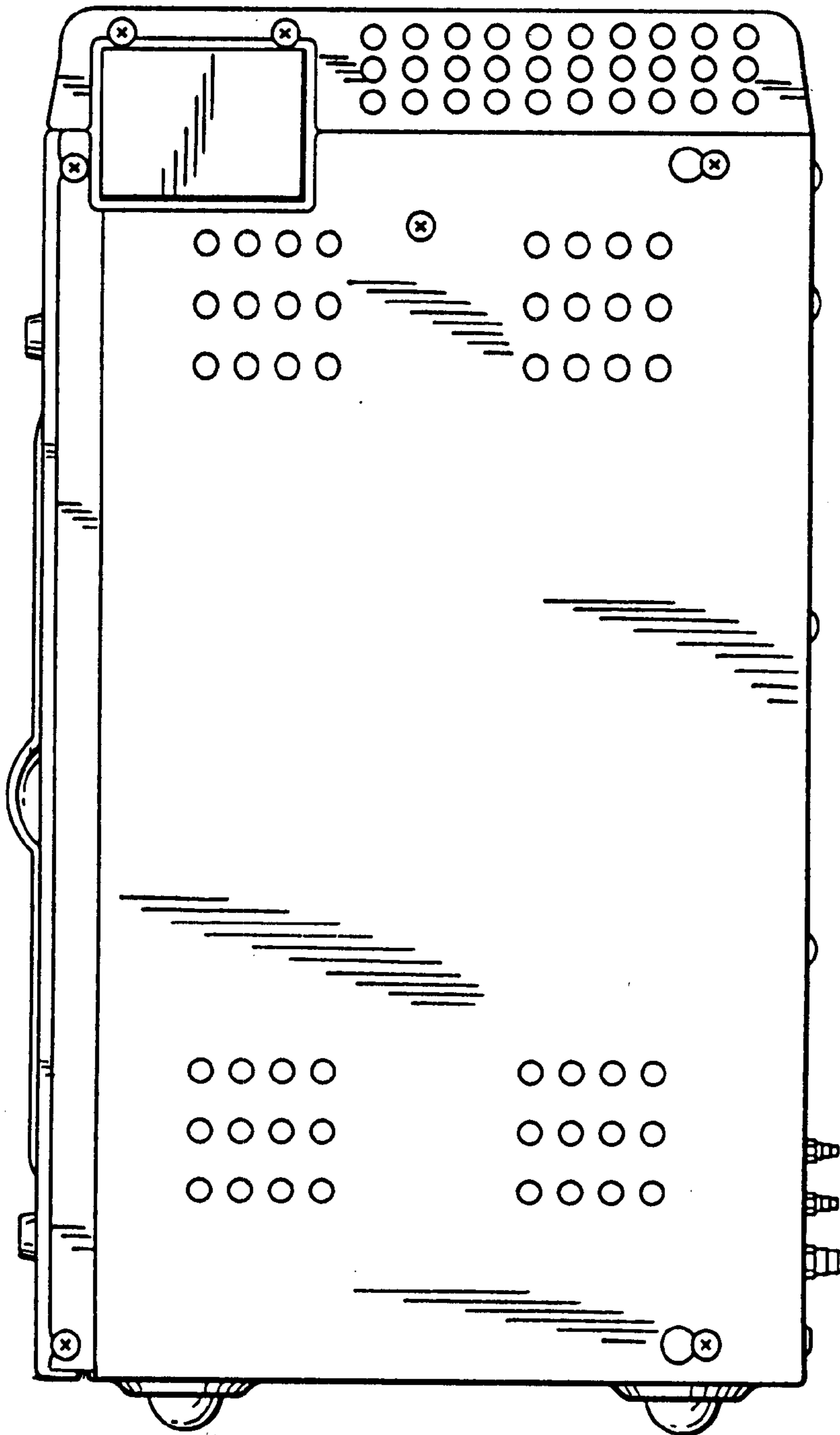


FIG.2

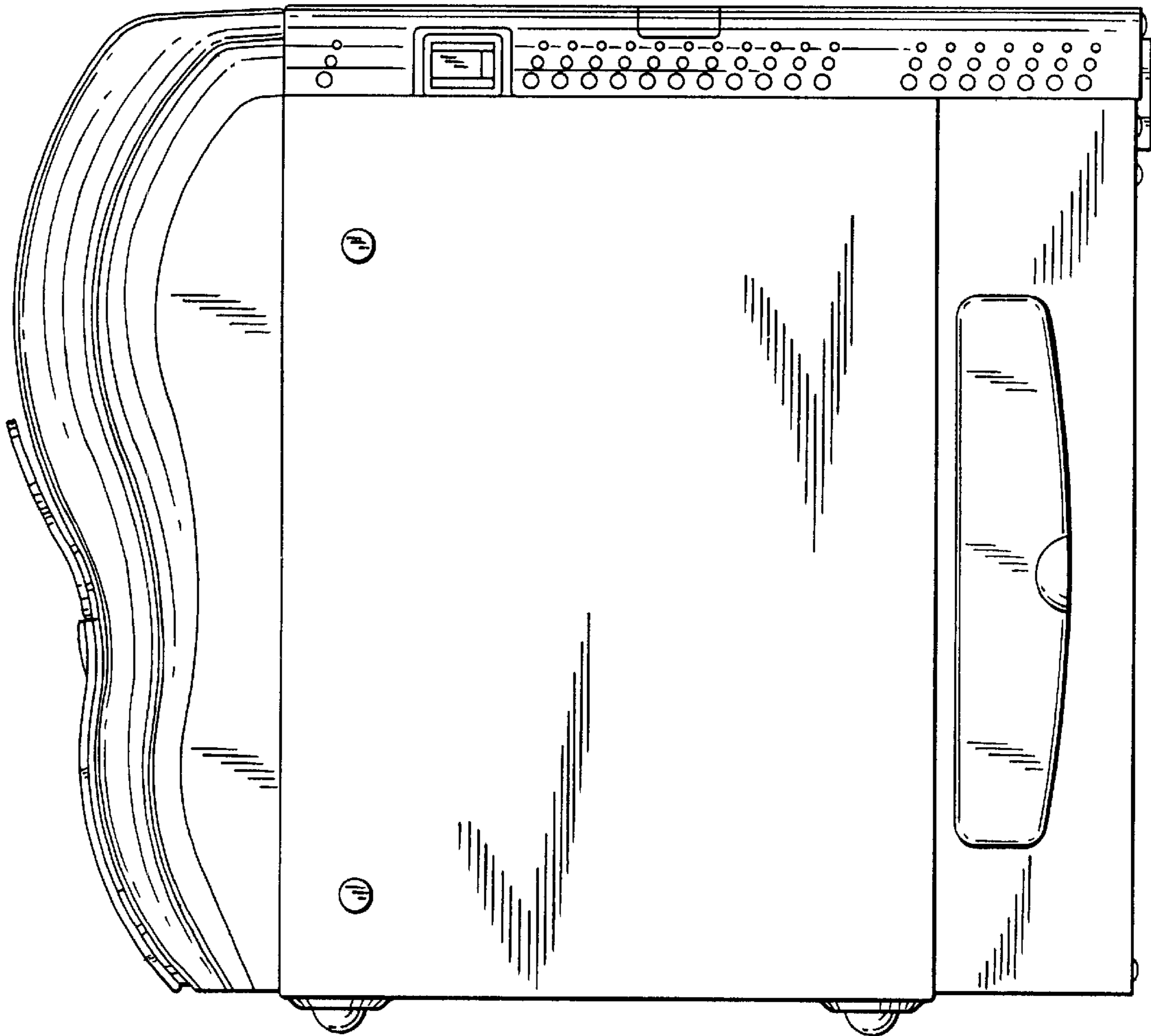


FIG.3

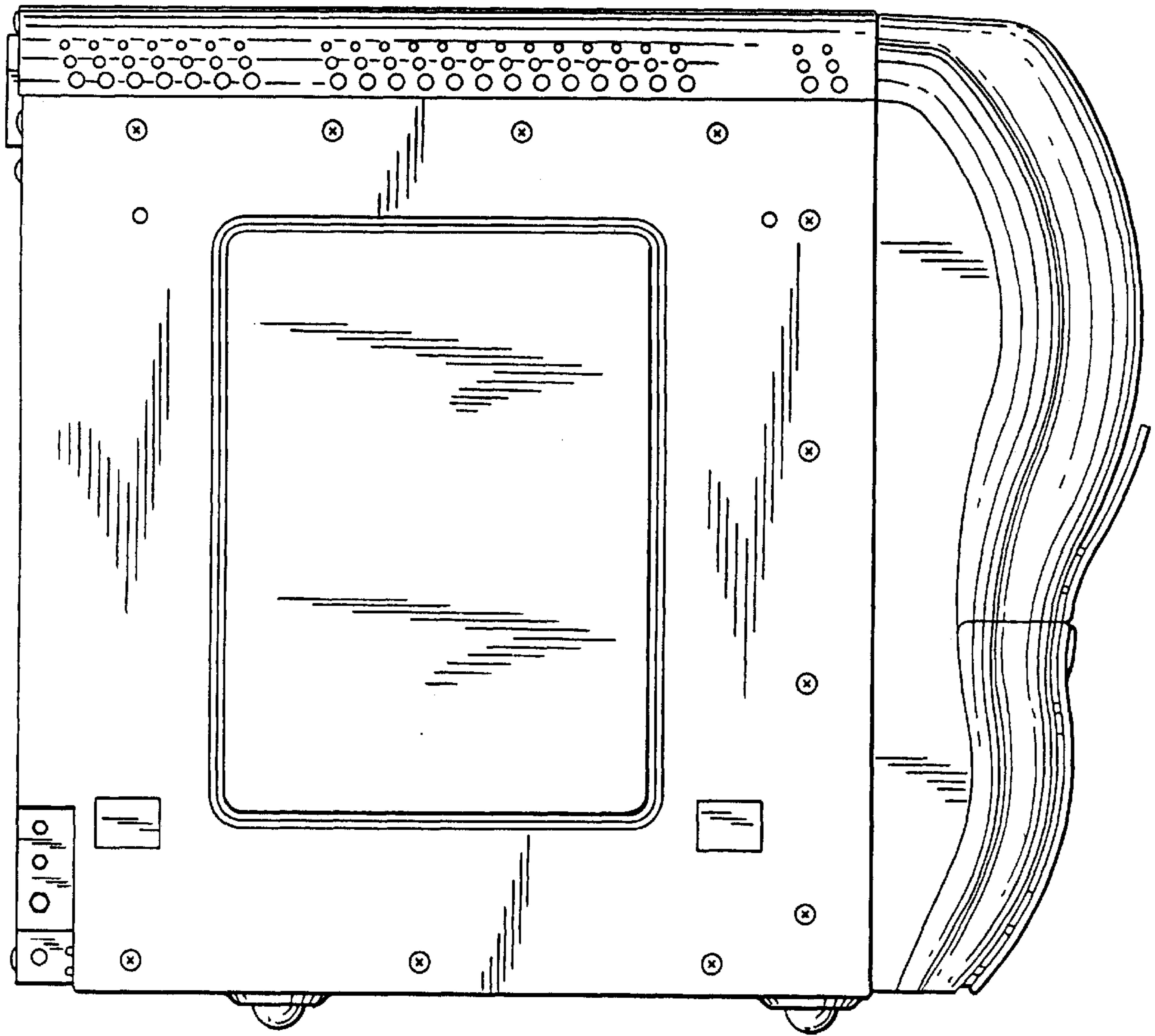


FIG.4

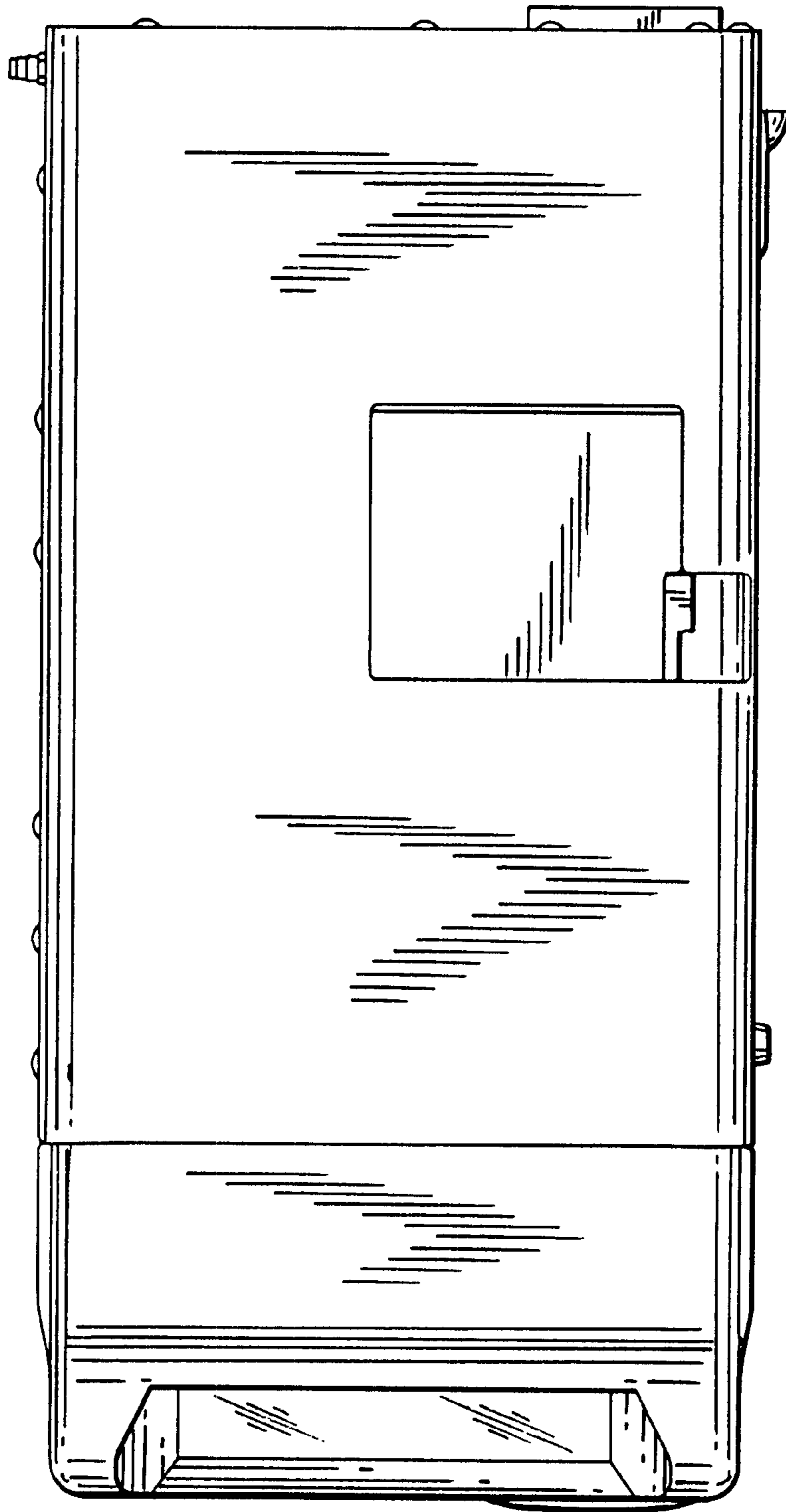


FIG.5

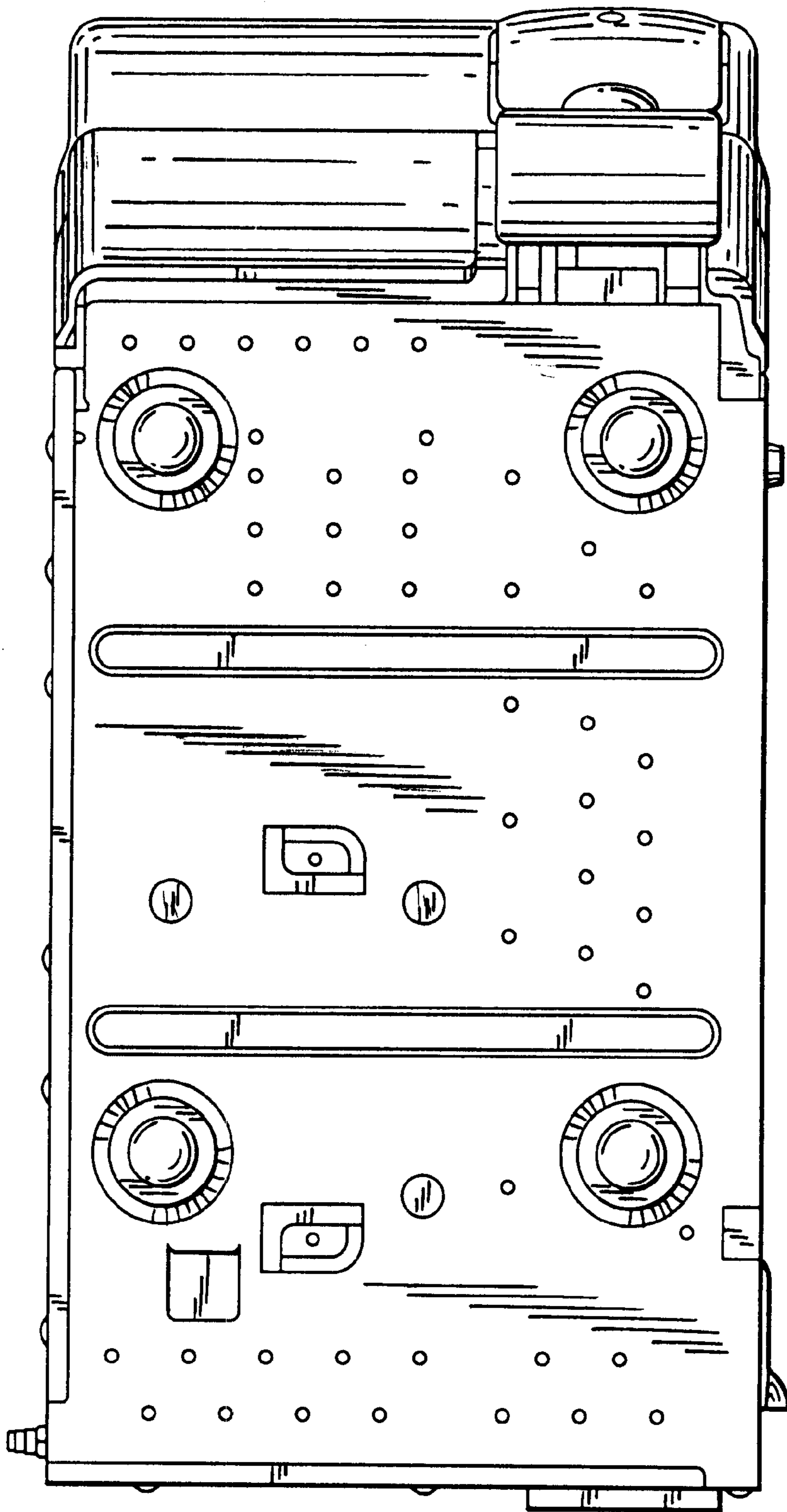


FIG. 6

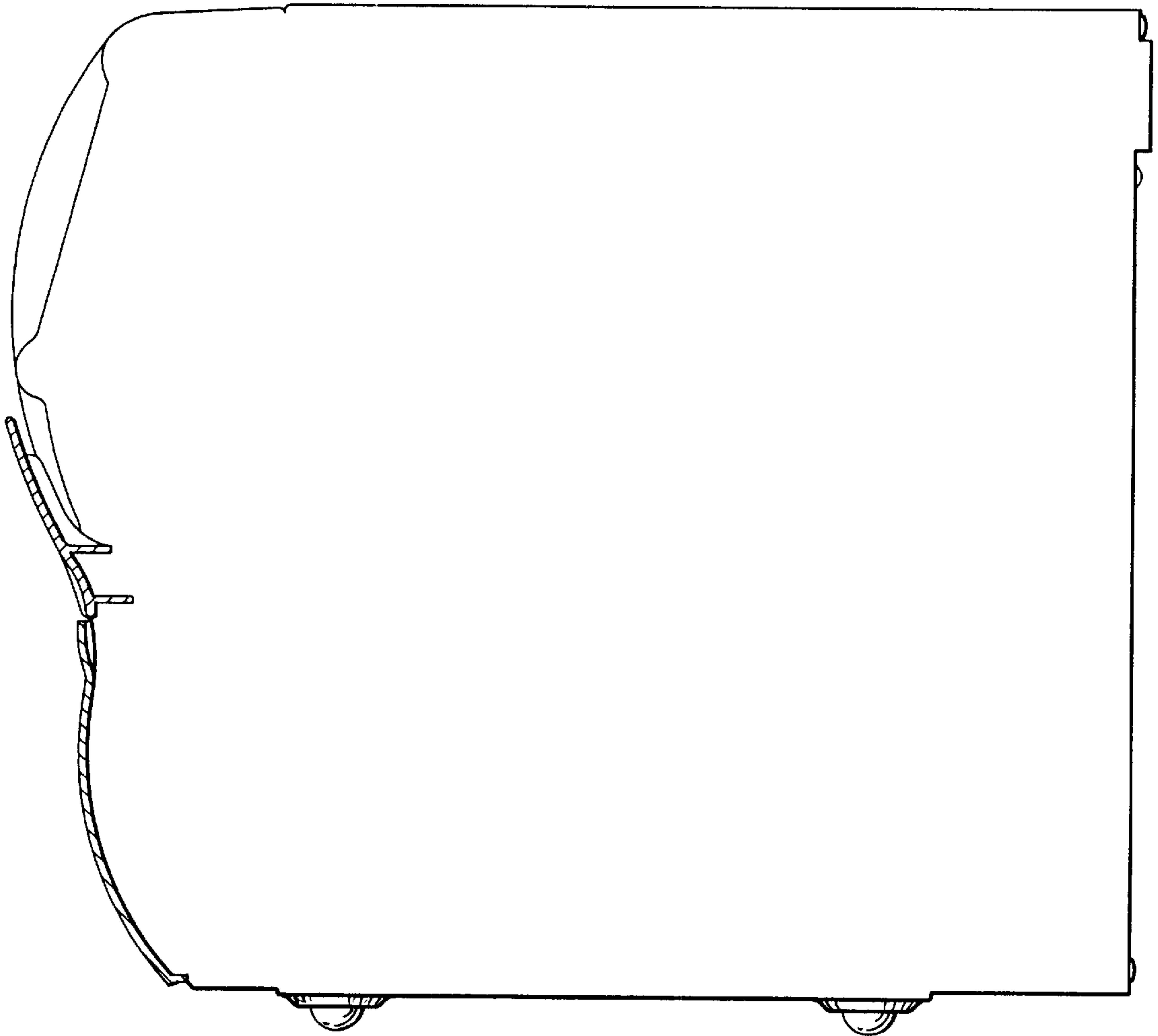


FIG.7

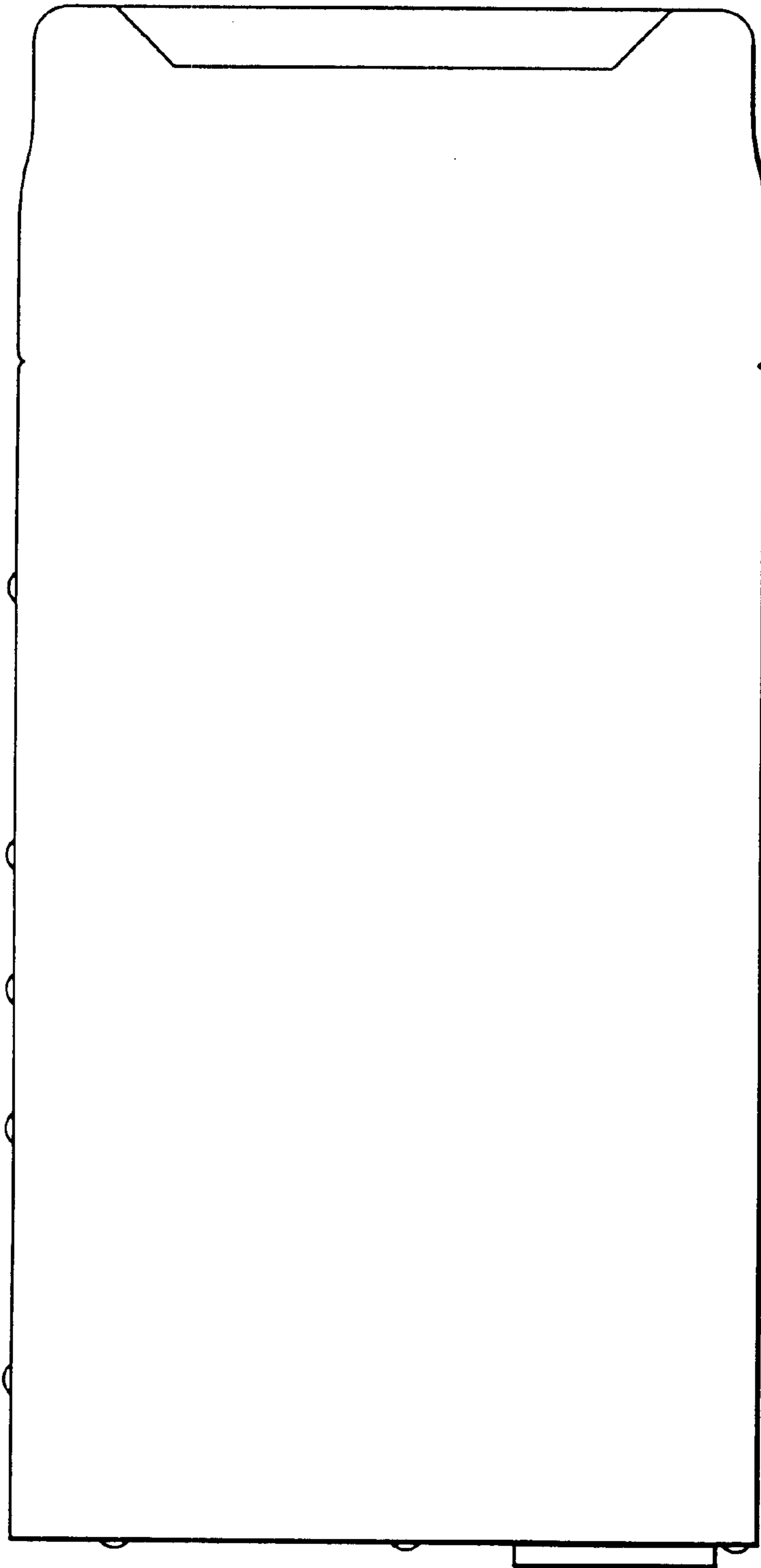


FIG.8

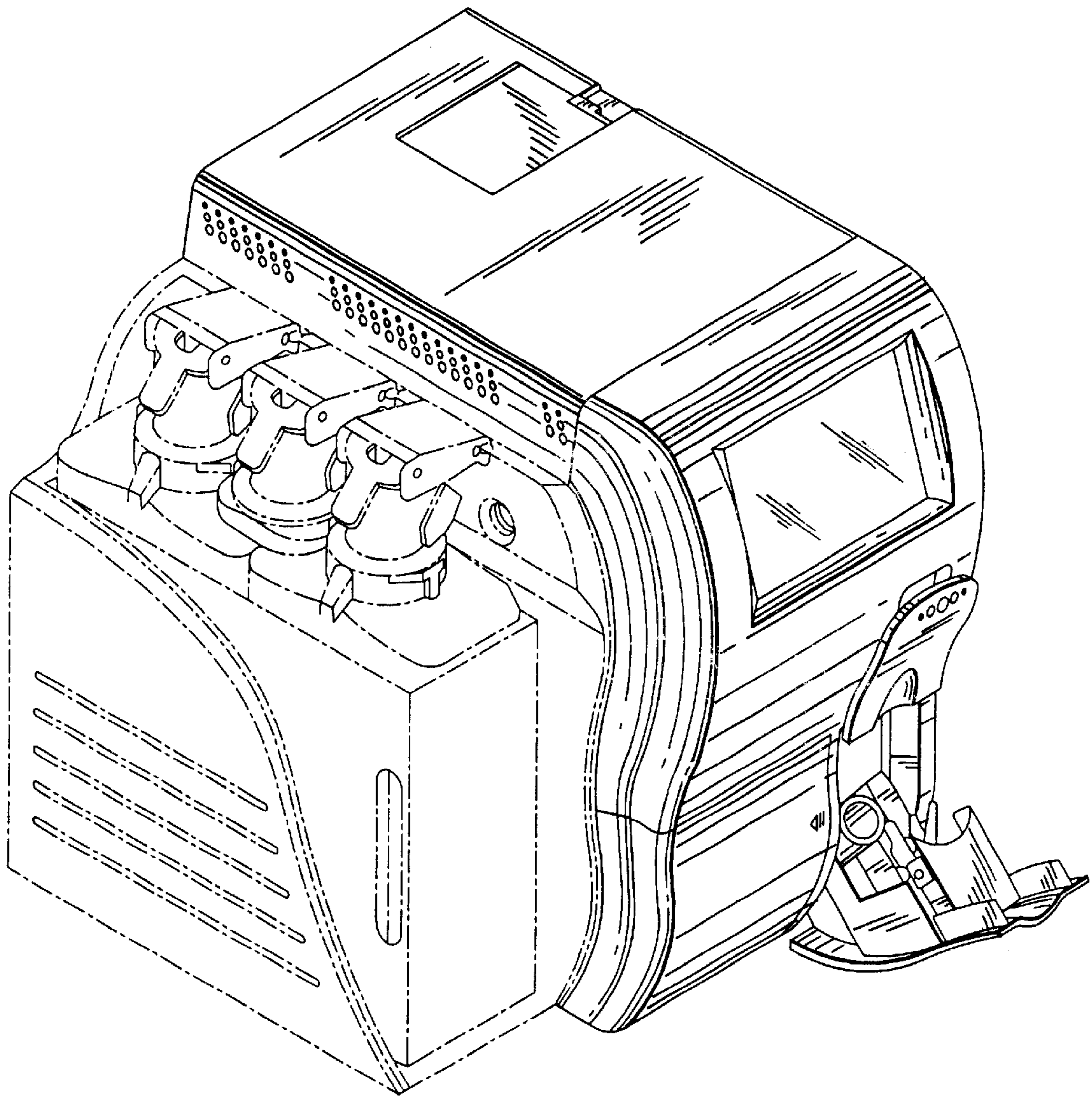


FIG.9