



US00D482795S

(12) **United States Design Patent**
Whitley

(10) **Patent No.:** **US D482,795 S**

(45) **Date of Patent:** **** Nov. 25, 2003**

(54) **ROLLER BOTTLE**

(75) Inventor: **Kenneth W. Whitley**, Raleigh, NC (US)

(73) Assignee: **Becton, Dickinson and Company**, Franklin Lakes, NJ (US)

(**) Term: **14 Years**

(21) Appl. No.: **29/167,770**

(22) Filed: **Sep. 20, 2002**

(51) **LOC (7) Cl.** **24-01**

(52) **U.S. Cl.** **D24/224; D9/556; D24/121**

(58) **Field of Search** D24/224, 121, D24/216; D9/556, 520; 422/102, 912; 435/291.8, 299.2, 304.1, 304.2, 298.2, 298.1

(56) **References Cited**

U.S. PATENT DOCUMENTS

4,912,048	A	*	3/1990	Smith et al.	435/299.2
5,010,013	A	*	4/1991	Serkes et al.	422/102
D318,800	S	*	8/1991	Serkes et al.	D24/224
5,766,936	A	*	6/1998	Kayal et al.	435/304.1
6,150,159	A	*	11/2000	Fry	435/304.1

OTHER PUBLICATIONS

Corning Science Products Catalog "Roller Bottles" p. 15 @ 1998.*

* cited by examiner

Primary Examiner—Ian Simmons

(74) *Attorney, Agent, or Firm*—Nanette S. Thomas

(57) **CLAIM**

The ornamental design for a roller bottle, substantially as shown and described.

DESCRIPTION

FIG. 1 is a perspective view of the side wall of the present invention;

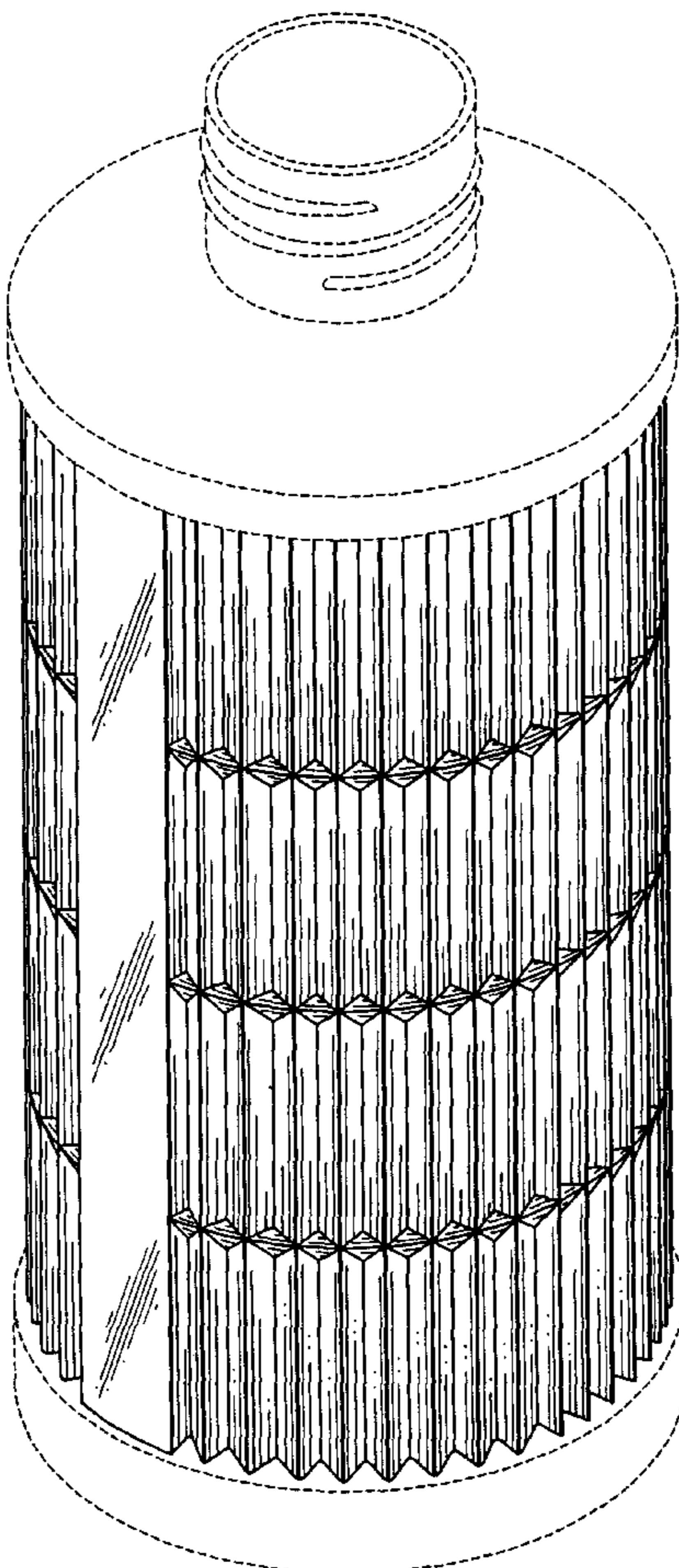
FIG. 2 is a front elevational view of the side wall of FIG. 1, the rear view being a mirror image of the front view;

FIG. 3 is a right elevational view of the side wall of FIG. 1, the left side being a mirror image of the right side; and,

FIG. 4 is a cross-sectional view taken along line 4—4 of FIG. 2.

The broken lines shown in the figures herein are for illustrative purposes only and form no part of the claimed design.

1 Claim, 4 Drawing Sheets



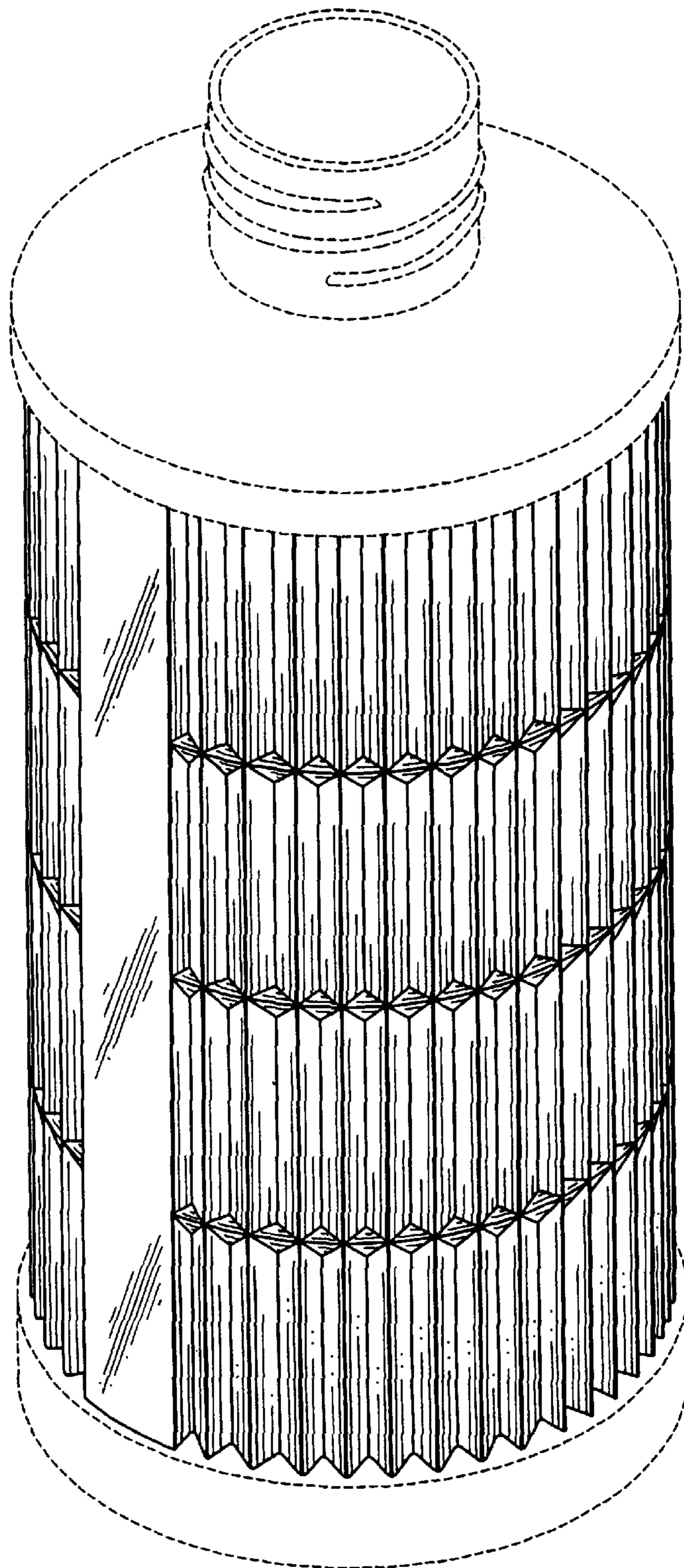


FIG. 1

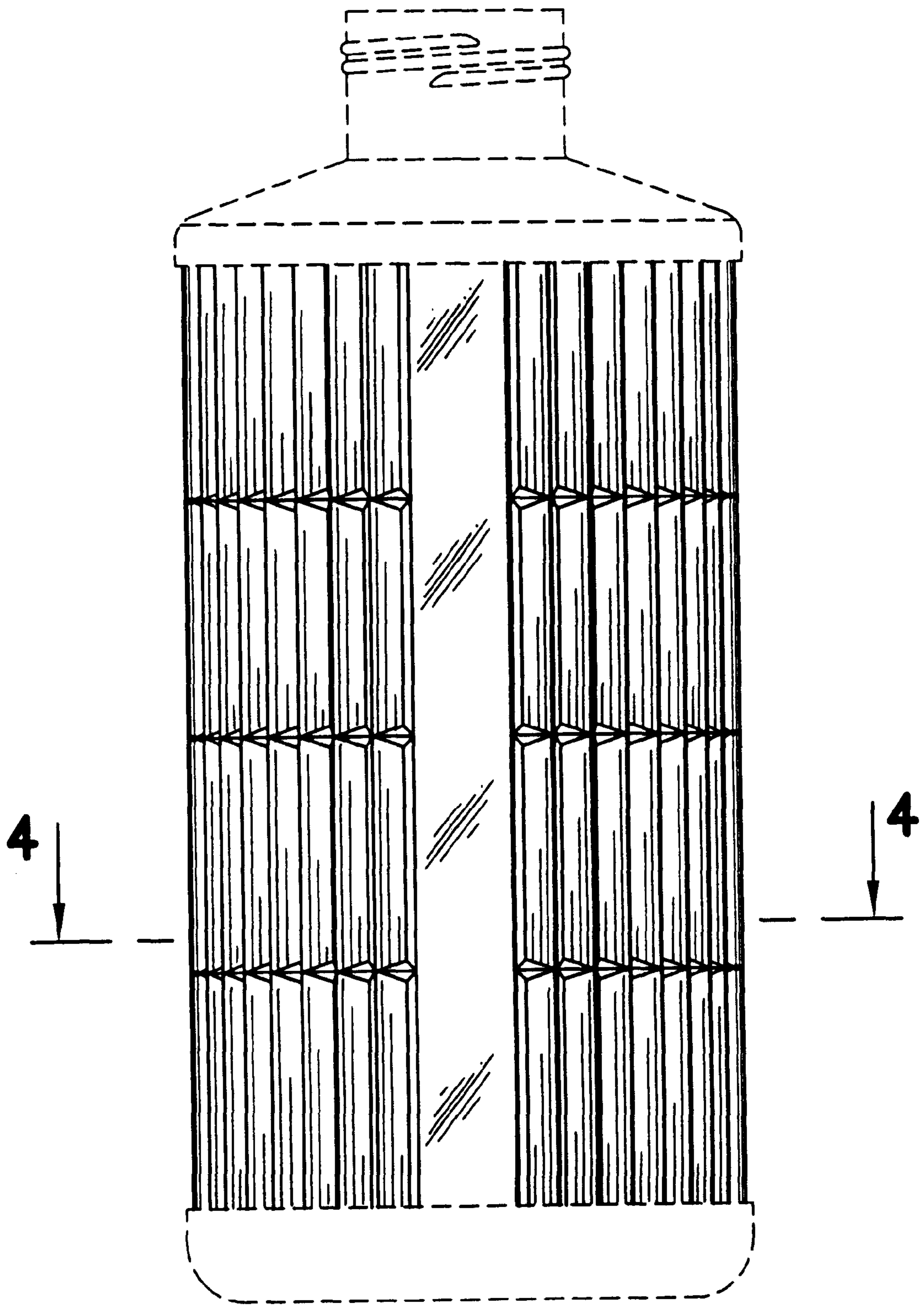


FIG. 2

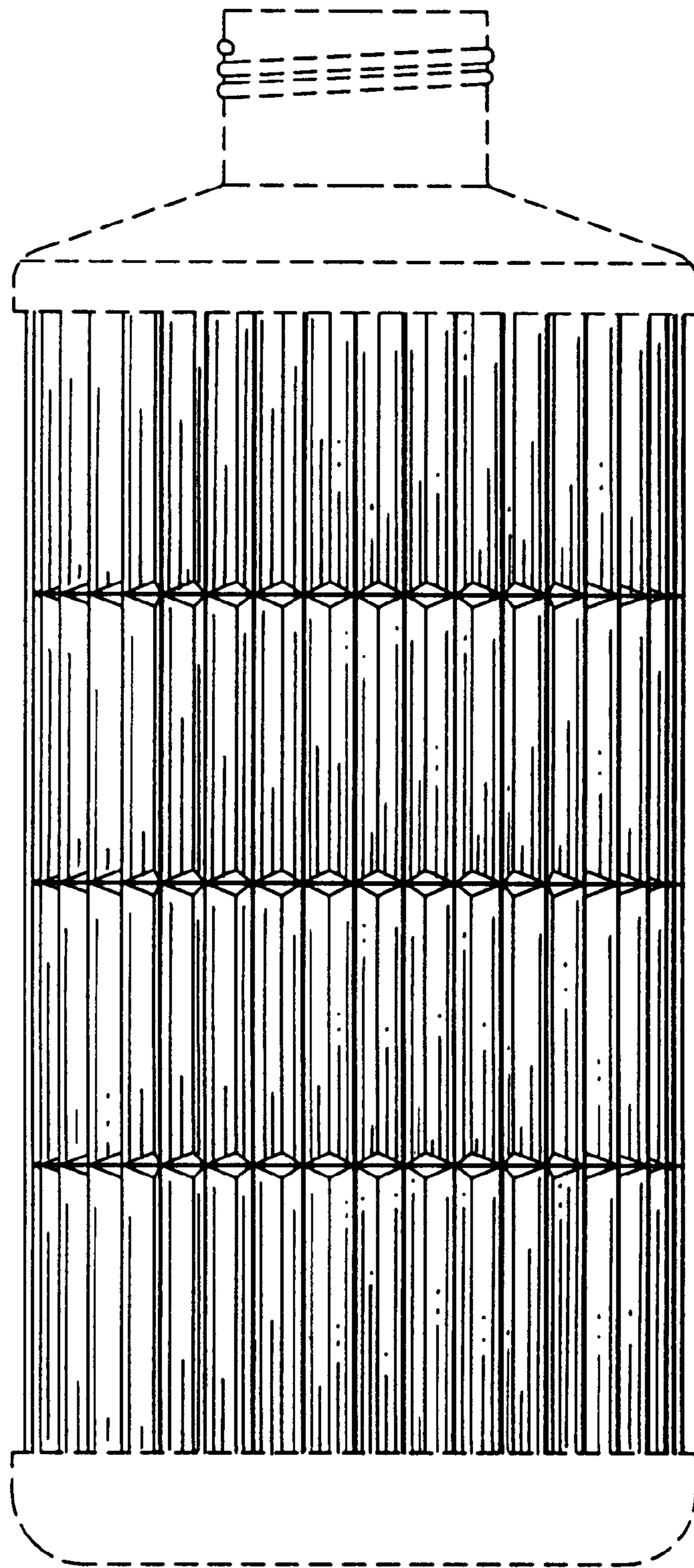


FIG.3

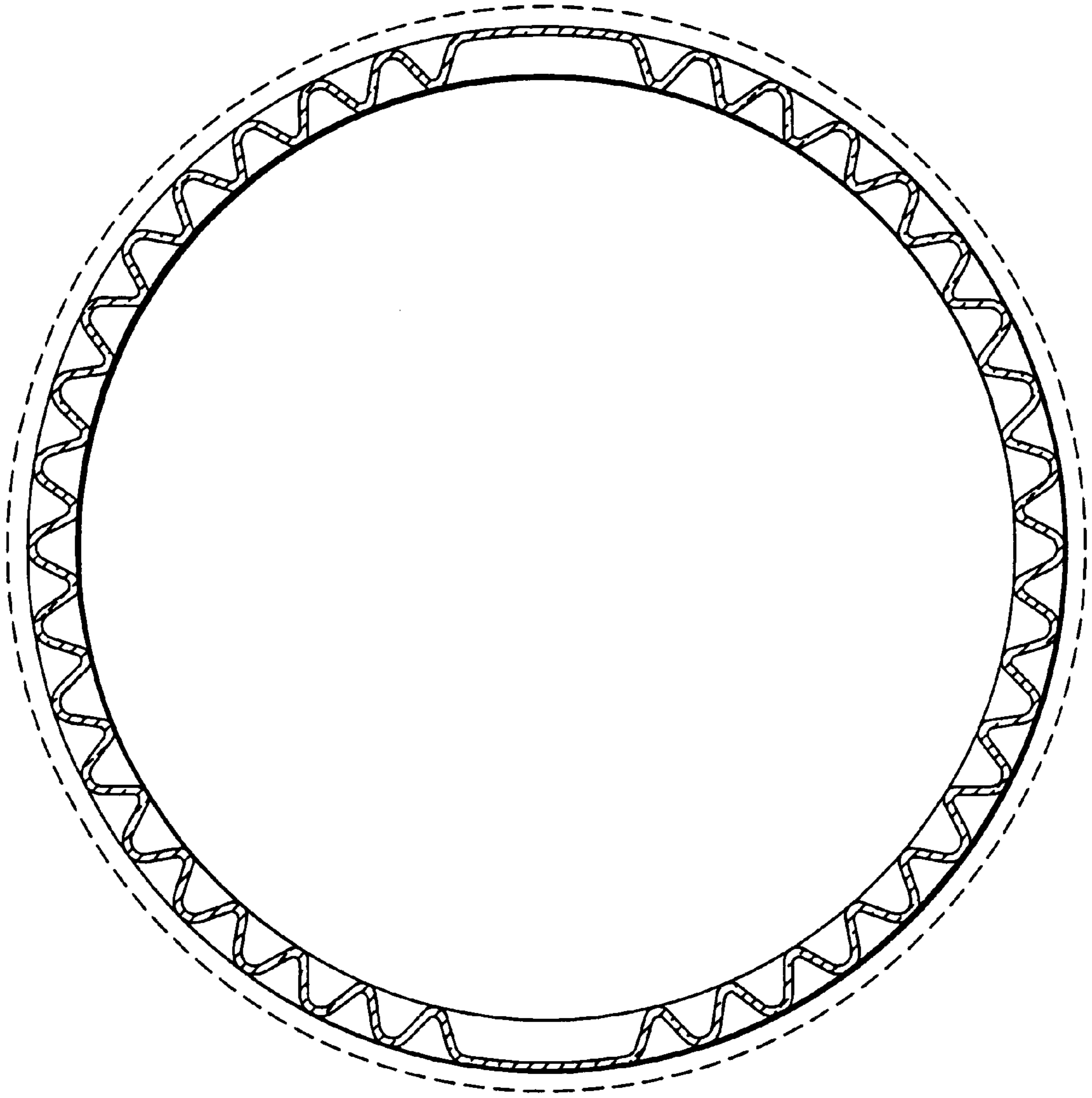


FIG.4