



US00D482794S

(12) **United States Design Patent**  
**Whitley**

(10) **Patent No.:** **US D482,794 S**

(45) **Date of Patent:** **\*\* Nov. 25, 2003**

(54) **ROLLER BOTTLE**

(75) **Inventor:** **Kenneth W. Whitley, Raleigh, NC (US)**

(73) **Assignee:** **Becton, Dickinson and Company, Franklin Lakes, NJ (US)**

(\*\*) **Term:** **14 Years**

(21) **Appl. No.:** **29/167,768**

(22) **Filed:** **Sep. 20, 2002**

(51) **LOC (7) Cl.** ..... **24-01**

(52) **U.S. Cl.** ..... **D24/224; D9/520; D24/121**

(58) **Field of Search** ..... **D24/224, 121, D24/216; D9/556, 520; 422/102, 912; 435/291.8, 299.2, 304.1, 304.2, 298.2, 298.1; 215/370, 373, 371, DIG. 3, 3; 220/607, 608, 600**

(56) **References Cited**

**U.S. PATENT DOCUMENTS**

D110,624 S	*	7/1938	Mekeel, Jr.	.....	D9/520
2,641,374 A		6/1953	Der Yuen		
D192,655 S	*	4/1962	Sarafan	.....	D9/520
3,595,425 A		7/1971	Eicholtz et al.		
4,238,568 A		12/1980	Lynn		
4,283,495 A		8/1981	Lynn		
4,337,104 A		6/1982	Lynn		

4,912,058 A		3/1990	Mussi et al.		
D318,800 S	*	8/1991	Serkes et al.	.....	D24/224
5,358,871 A		10/1994	Stevens et al.		
5,358,872 A		10/1994	Mussi et al.		
5,366,893 A		11/1994	Stevens et al.		
5,527,705 A		6/1996	Mussi et al.		
5,766,936 A	*	6/1998	Kayal et al.	.....	435/304.1
5,853,034 A	*	12/1998	Edwards et al.	.....	222/541.1
5,887,740 A	*	3/1999	Hong	.....	D9/520

**OTHER PUBLICATIONS**

Corning Science Products Catalog "Roller Bottles" p. 15 @1998.\*

\* cited by examiner

*Primary Examiner*—Ian Simmons

(74) *Attorney, Agent, or Firm*—Nanette S. Thomas

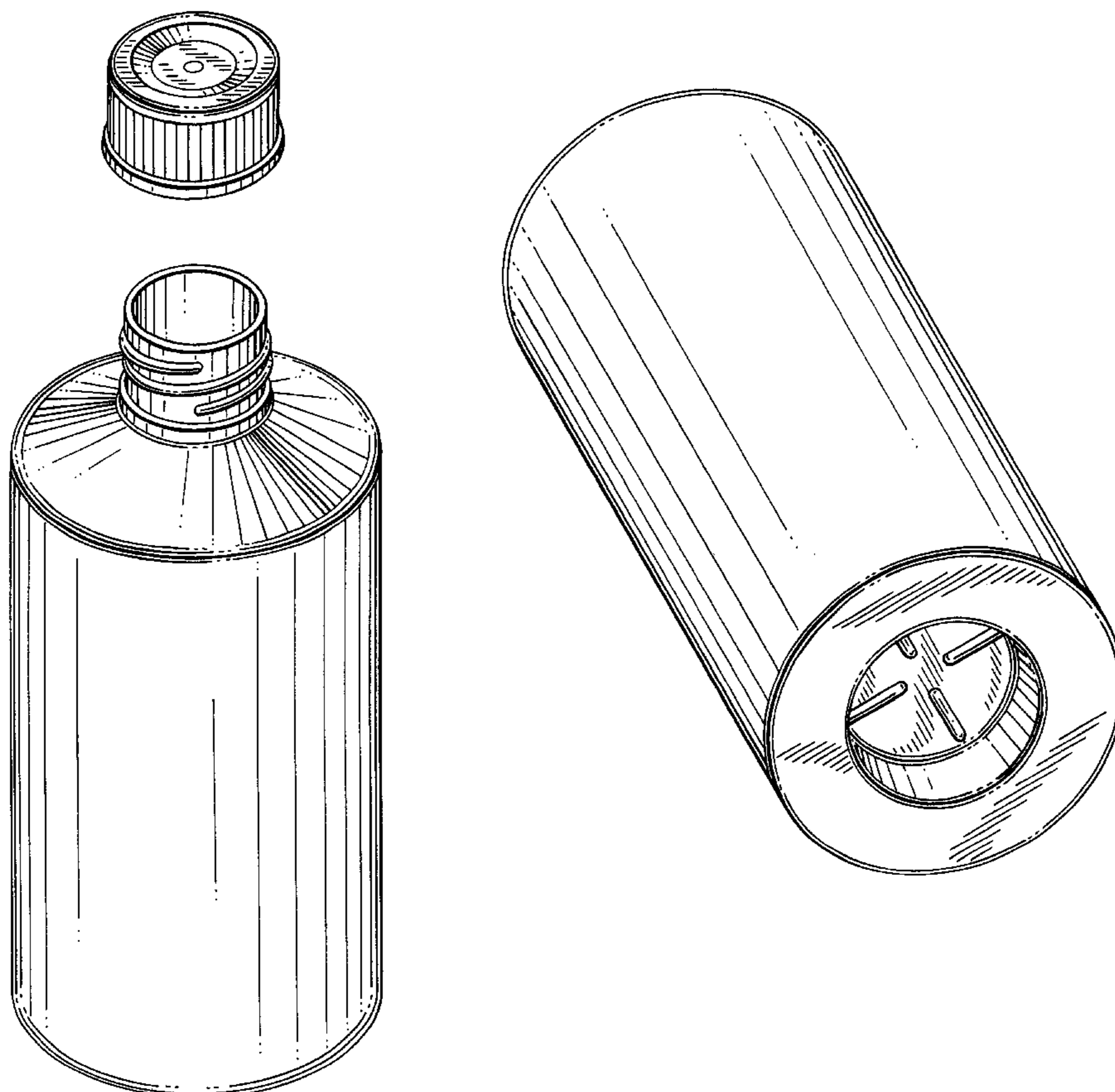
(57) **CLAIM**

The ornamental design for a roller bottle, substantially as shown and described.

**DESCRIPTION**

FIG. 1 is an exploded perspective view of the roller bottle of the present invention; and, FIG. 2 is a bottom perspective showing of the roller bottle of FIG. 1.

**1 Claim, 2 Drawing Sheets**



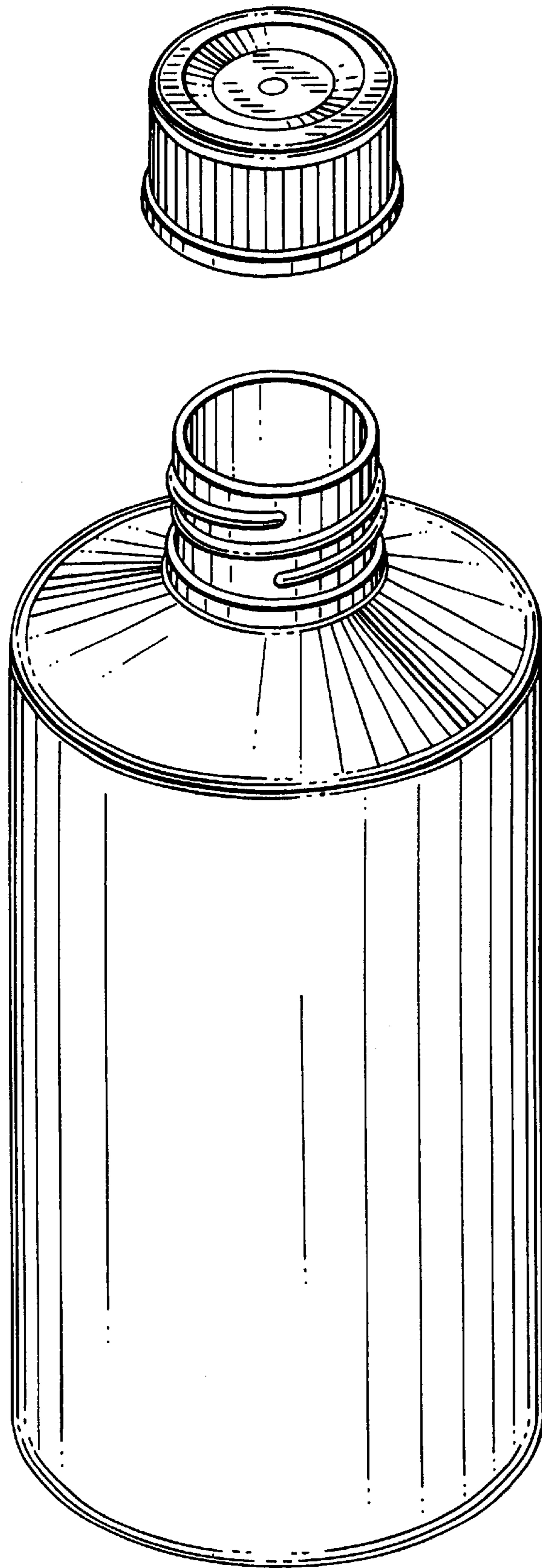


FIG. 1

FIG. 2

