



US00D482791S

(12) **United States Design Patent**  
**Moses**

(10) **Patent No.:** **US D482,791 S**

(45) **Date of Patent:** **\*\* Nov. 25, 2003**

(54) **COMBINED SUPPORT AND COVER FOR PREVENTION OF ANKLE AND HEEL PRESSURE ULCERS**

(76) **Inventor:** **Carolyn Moses**, 200 Co. Rd. 1204, Vinemont, AL (US) 35179

(\*\*) **Term:** **14 Years**

(21) **Appl. No.:** **29/172,011**

(22) **Filed:** **Dec. 4, 2002**

(51) **LOC (7) Cl.** ..... **24-04**

(52) **U.S. Cl.** ..... **D24/183**

(58) **Field of Search** ..... D24/183; 5/630, 5/631, 636-638, 646-648, 650, 652; 128/889

(56) **References Cited**

**U.S. PATENT DOCUMENTS**

3,158,878	A	*	12/1964	Pernell	.....	5/630
D397,443	S	*	8/1998	Fletcher et al.	.....	D24/183
D403,773	S		1/1999	Fletcher et al.		
6,175,979	B1	*	1/2001	Jackson	.....	5/648
6,488,031	B1	*	12/2002	Sells, II	.....	128/846
2001/0016960	A1		8/2001	Grabell et al.		

\* cited by examiner

*Primary Examiner*—Stella Reid

(74) *Attorney, Agent, or Firm*—Lanier Ford Shaver & Payne P.C.

(57) **CLAIM**

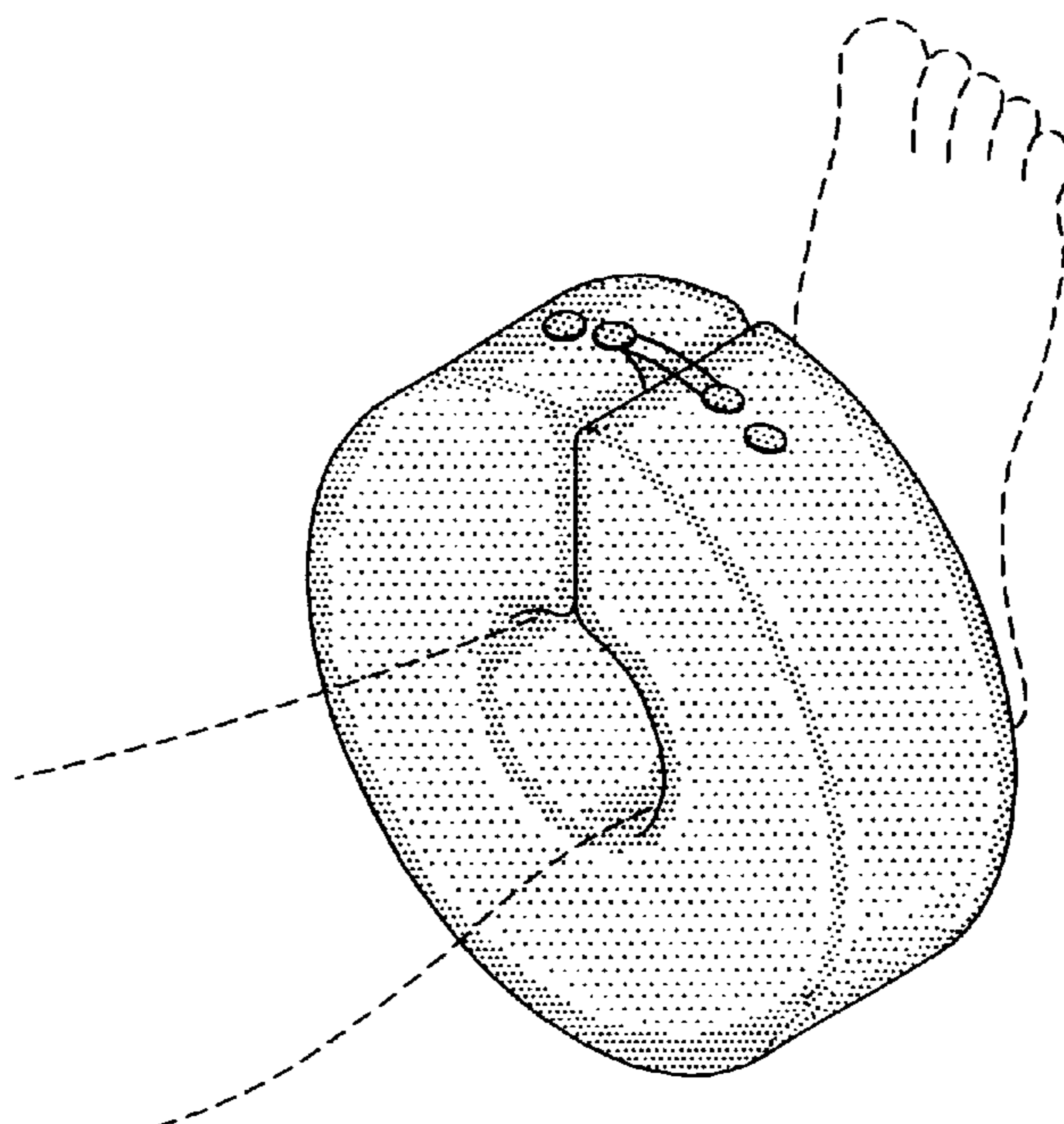
I claim the ornamental design for a combined support and cover for prevention of ankle and heel pressure ulcers, as shown and described.

**DESCRIPTION**

FIG. 1 is a left front perspective view of a combined support and cover for prevention of ankle and heel pressure ulcers showing my new design, in open position;  
 FIG. 2 is a right front perspective view thereof, in closed position;  
 FIG. 3 is a top plan view thereof, in open position;  
 FIG. 4 is a bottom plan view thereof;  
 FIG. 5 is a front elevational view thereof;  
 FIG. 6 is a rear elevational view thereof;  
 FIG. 7 is a left side elevational view thereof;  
 FIG. 8 is a right side elevational view thereof;  
 FIG. 9 is a right front perspective view thereof, in use condition;  
 FIG. 10 is a right front perspective view of an alternate embodiment of the combined support and cover for prevention of ankle and heel pressure ulcers, in use condition, with the only difference residing in the fastener element; and,  
 FIG. 11 is a right perspective view of FIG. 1, with the cover removed.

The broken line showing of the leg in FIGS. 10 and 11 is for illustrated purposes only and forms no part of the claimed design.

**1 Claim, 3 Drawing Sheets**



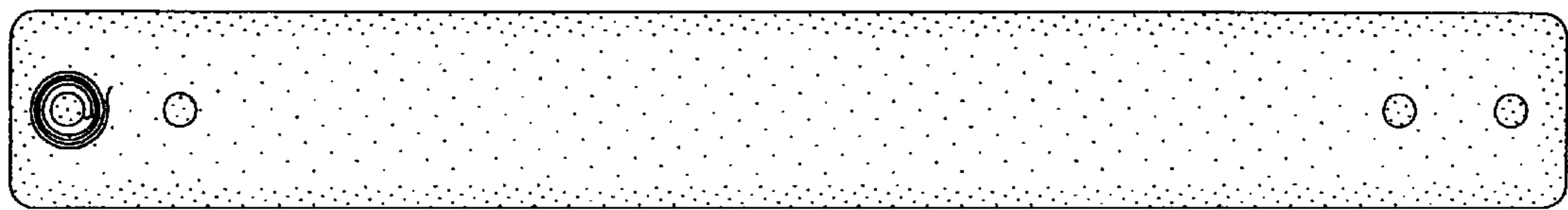
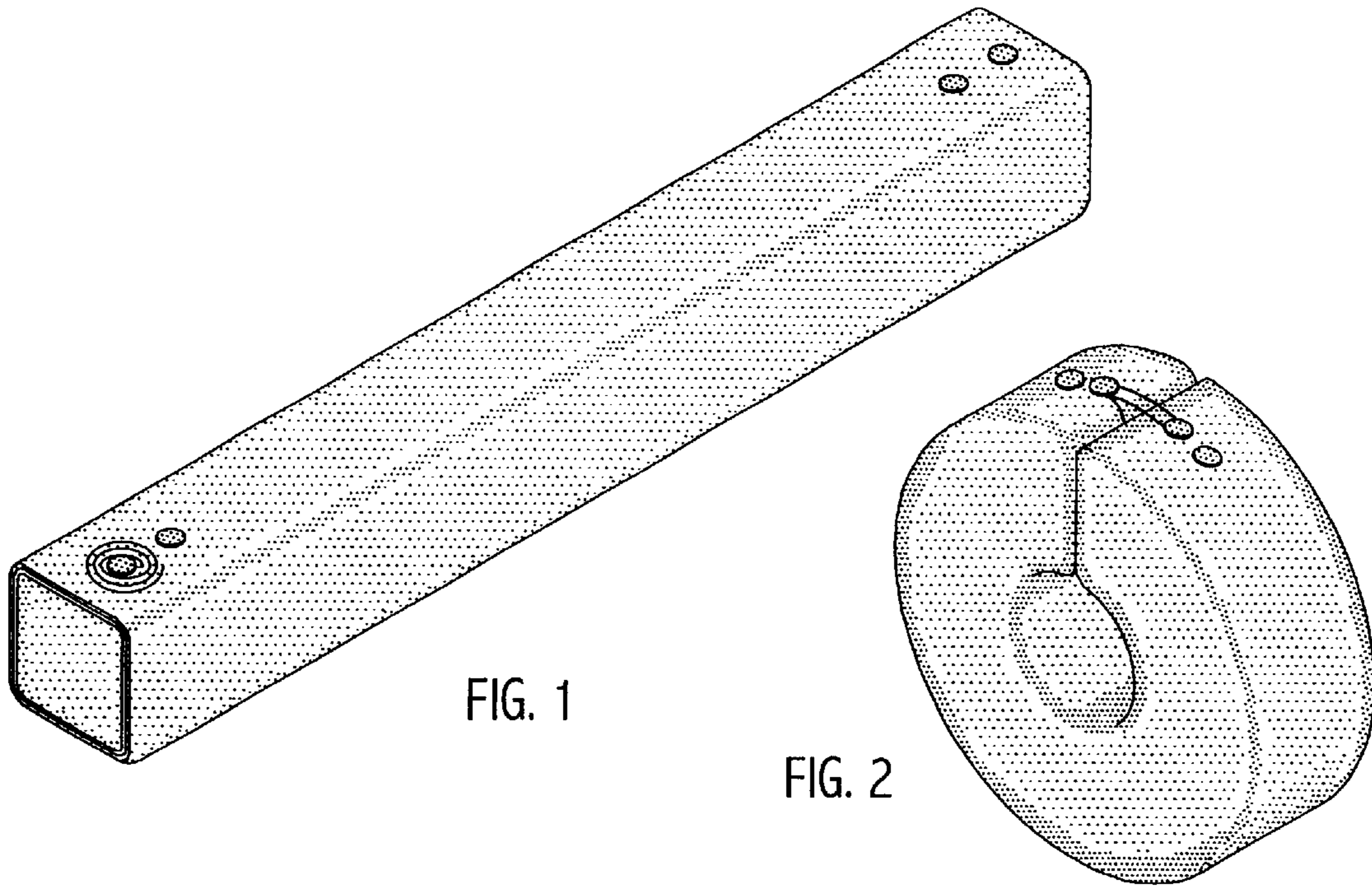


FIG. 3

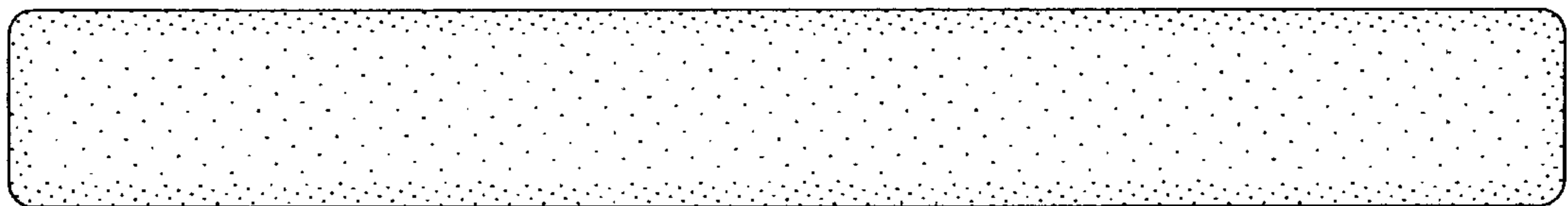


FIG. 4

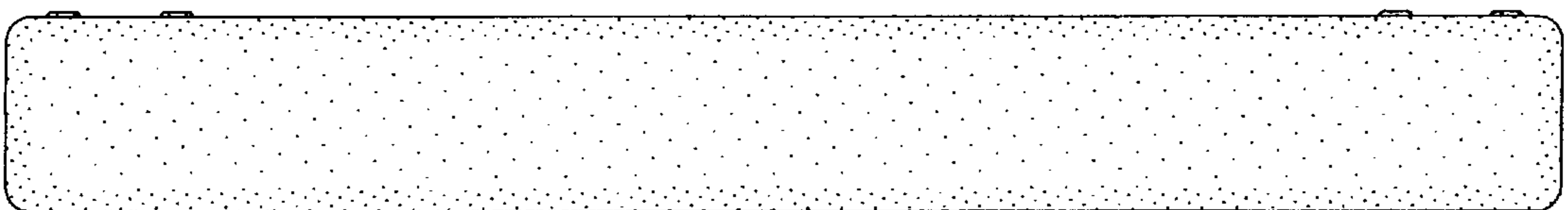


FIG. 5

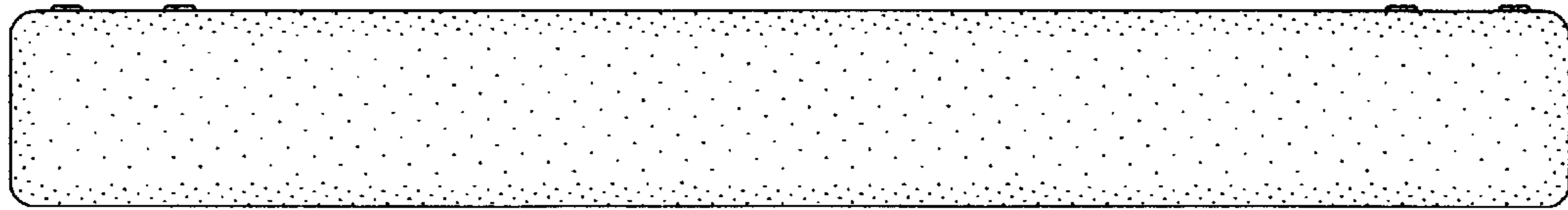


FIG. 6

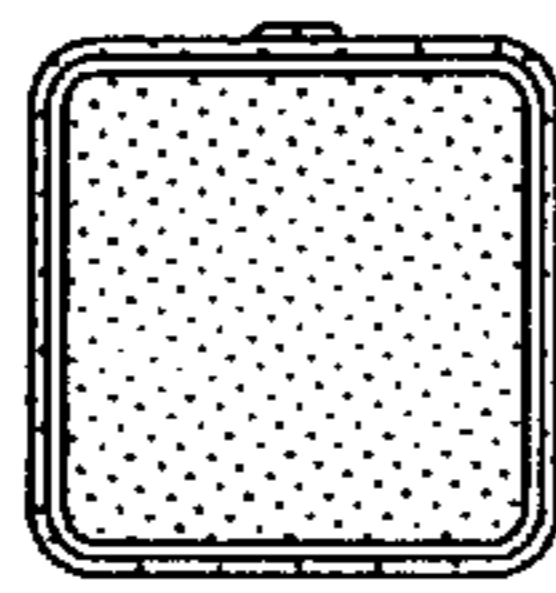


FIG. 7

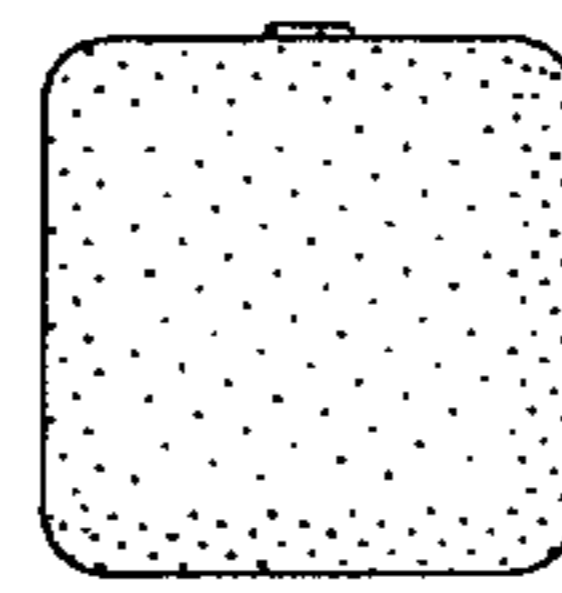


FIG. 8

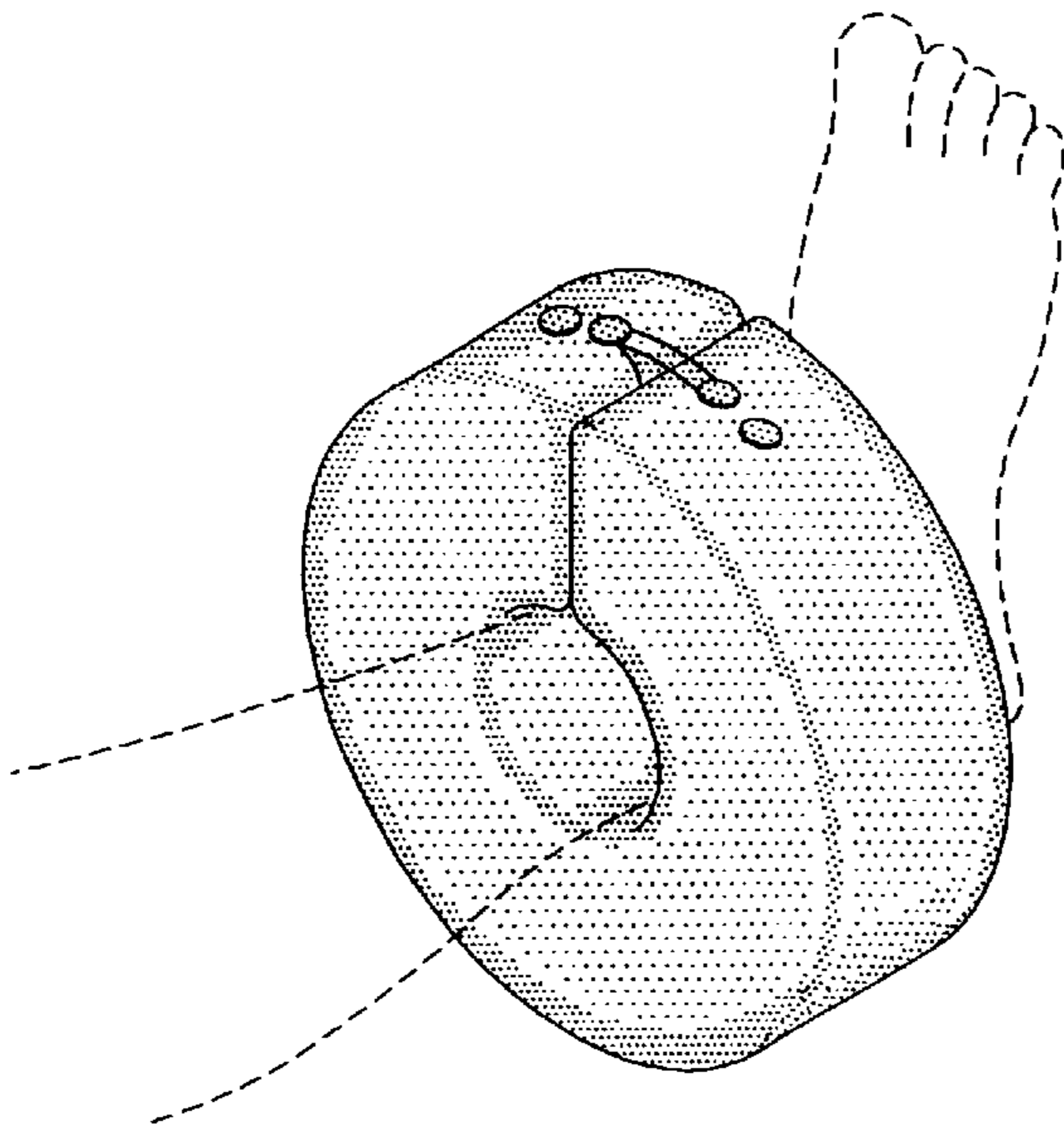


FIG. 9

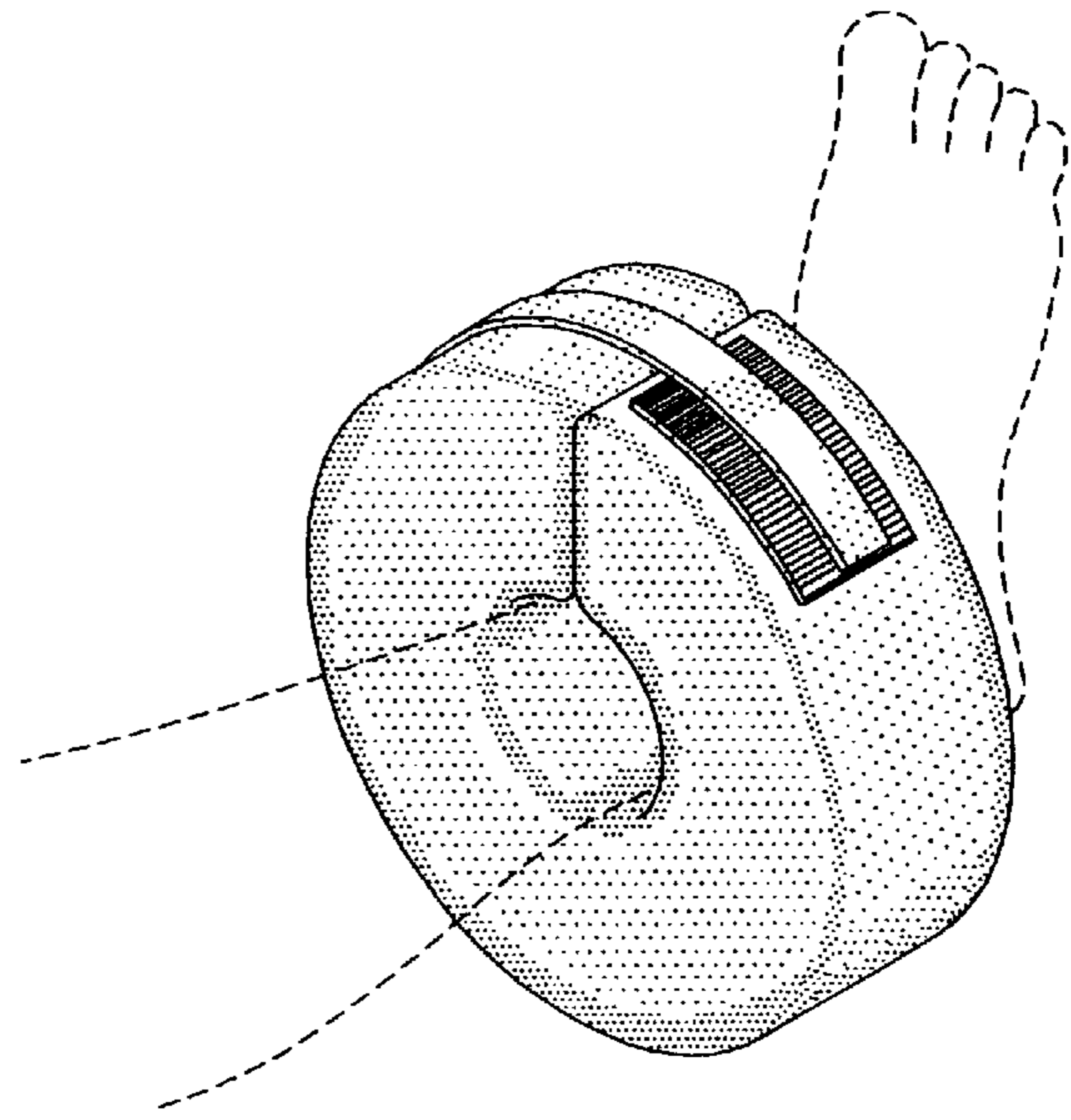


FIG. 10

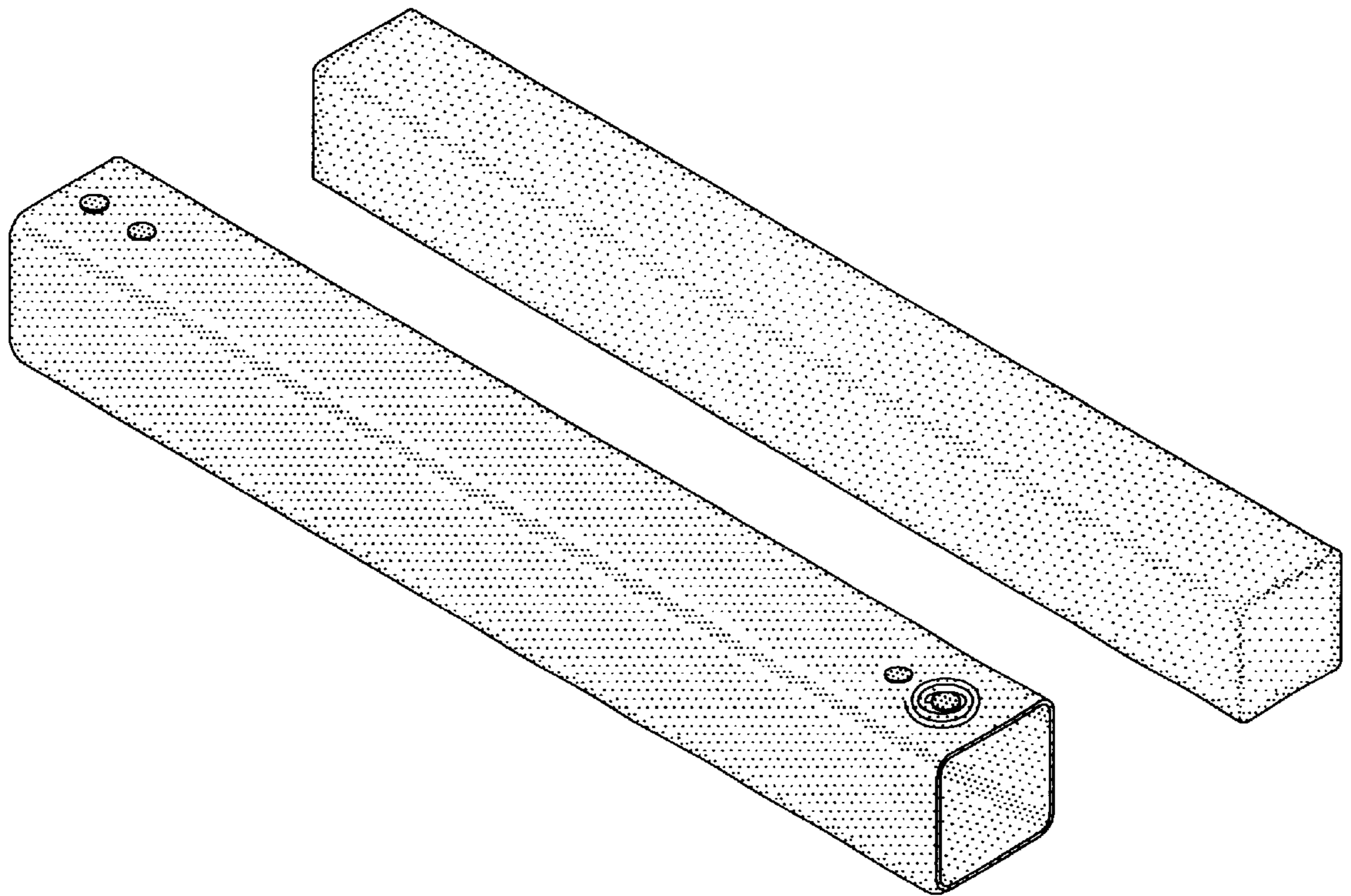


FIG. 11