



US00D482789S

(12) **United States Design Patent**
Nelson et al.

(10) **Patent No.:** **US D482,789 S**

(45) **Date of Patent:** **** Nov. 25, 2003**

(54) **LASER IMAGER**

(75) Inventors: **Bruce E. Nelson**, Oakdale, MN (US);
Henry C. Gydesen, Oakdale, MN
(US); **James R. Gilbertson**, Woodbury,
MN (US)

(73) Assignee: **Eastman Kodak Company**, Rochester,
NY (US)

(**) Term: **14 Years**

(21) Appl. No.: **29/171,161**

(22) Filed: **Nov. 18, 2002**

(51) **LOC (7) Cl.** **24-01**

(52) **U.S. Cl.** **D24/158**

(58) **Field of Search** D24/158; 354/331,
354/328, 299; 378/185, 183, 182; D16/147

(56) **References Cited**

U.S. PATENT DOCUMENTS

D236,158 S * 7/1975 Hope et al. D16/247
4,239,366 A * 12/1980 Vackier et al. 396/594
D272,360 S * 1/1984 Schlagheck et al. D16/247

D272,744 S * 2/1984 Schlagheck et al. D16/247

D273,872 S * 5/1984 Schlagheck et al. D16/247

D312,690 S * 12/1990 Reibl D16/247

D340,520 S * 10/1993 Reibl D24/158

D372,095 S * 7/1996 Whitby et al. D24/158

* cited by examiner

Primary Examiner—Stella Reid

(74) *Attorney, Agent, or Firm*—William F. Noval

(57) **CLAIM**

The ornamental design for a laser imager, as shown and described.

DESCRIPTION

FIG. 1 is a front perspective view of a laser imager according to the present invention;

FIG. 2 is a rear perspective view thereof;

FIG. 3 is a front elevational view thereof;

FIG. 4 is a rear elevational view thereof;

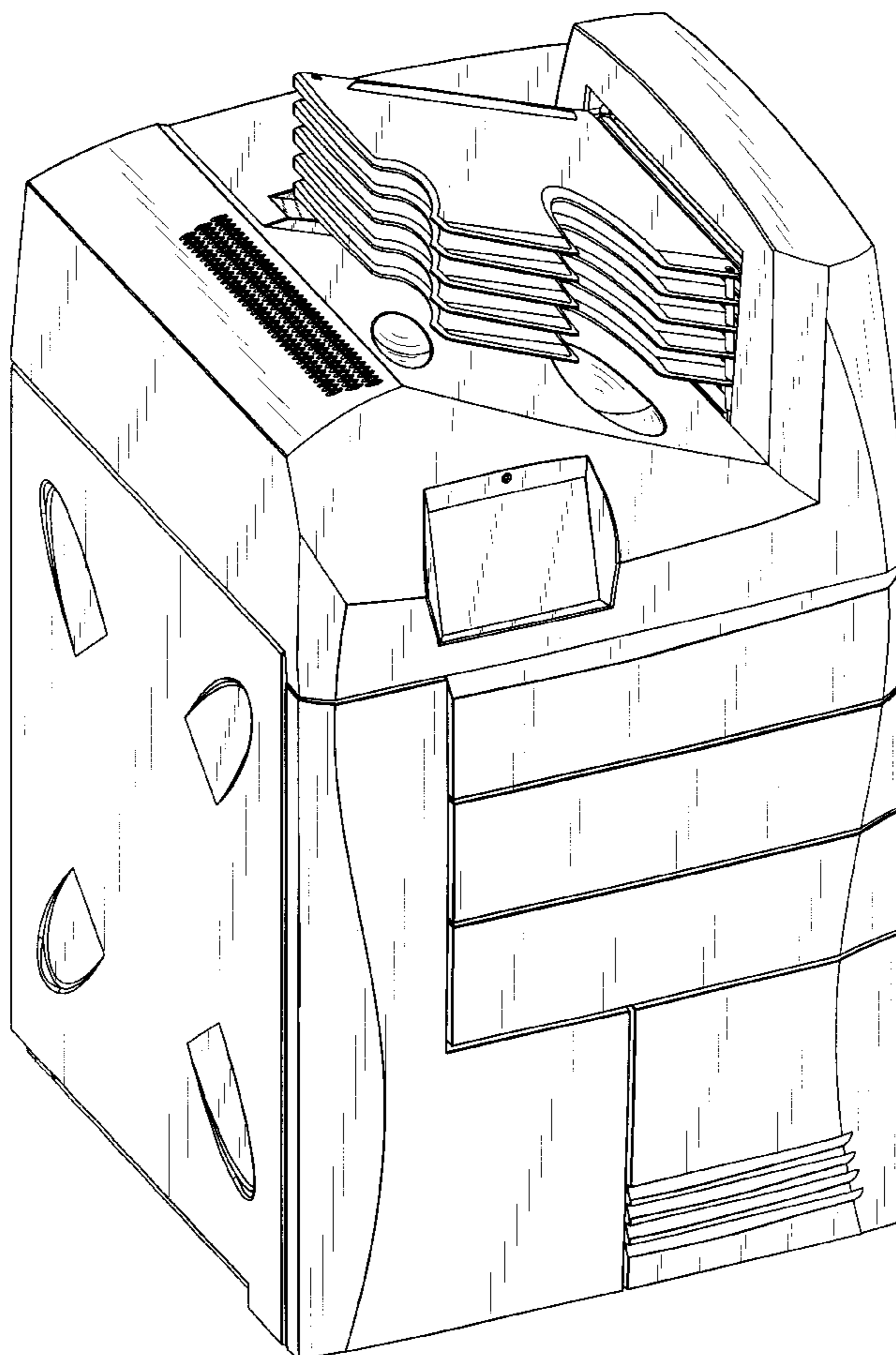
FIG. 5 is a right side elevational view thereof;

FIG. 6 is a left side elevational view thereof;

FIG. 7 is a top plan view thereof; and,

FIG. 8 is a bottom plan view thereof.

1 Claim, 8 Drawing Sheets



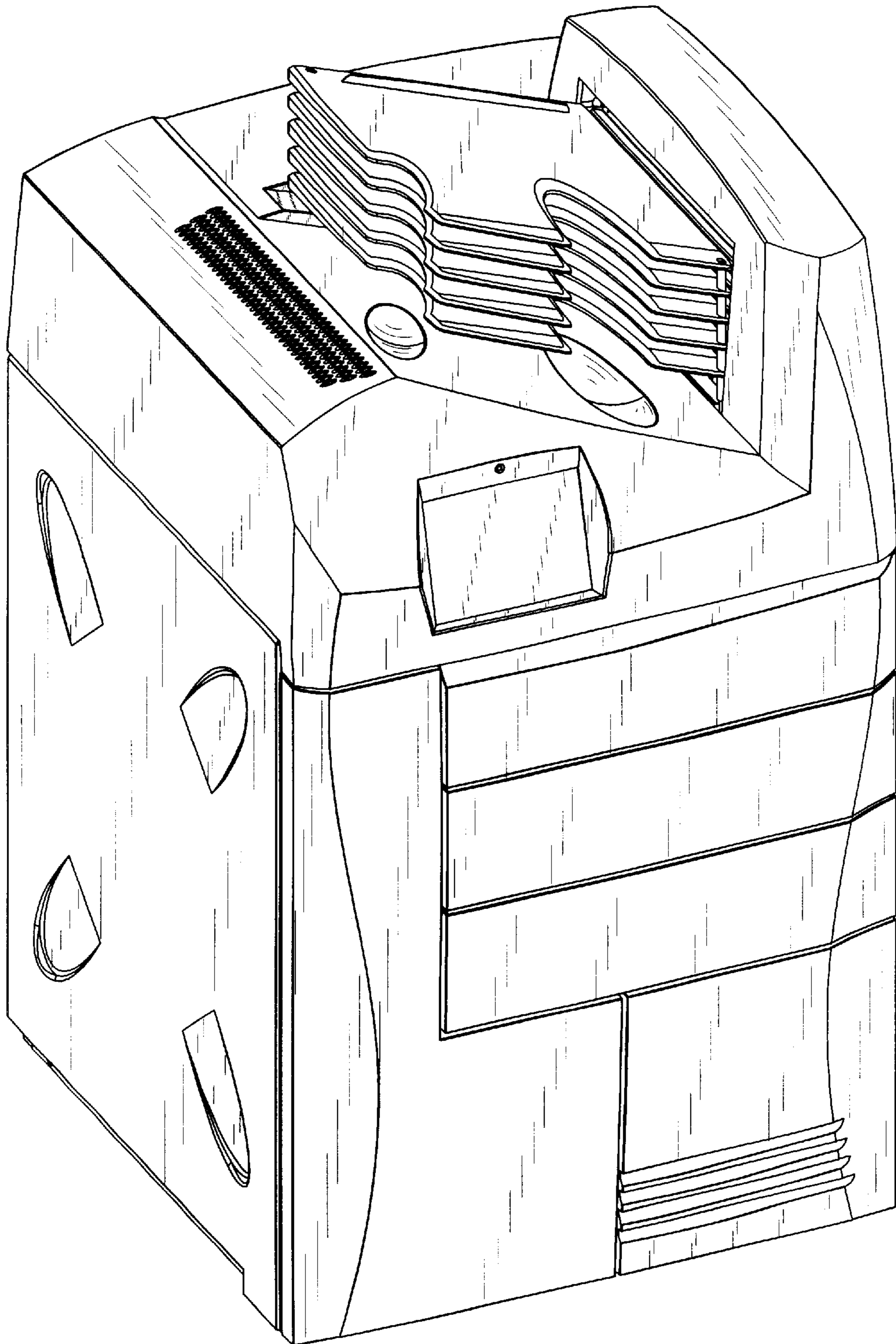


FIG. 1

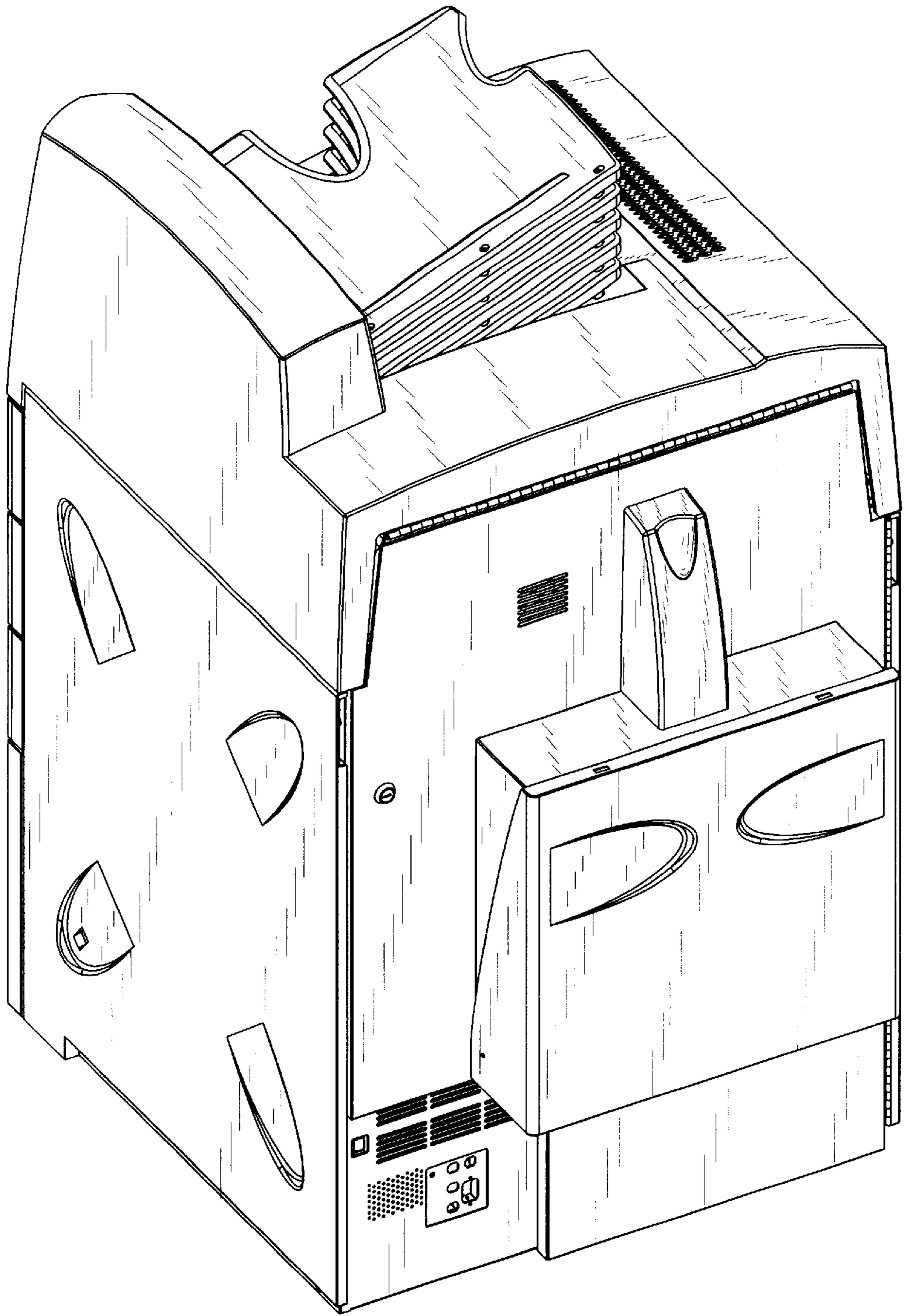


FIG. 2

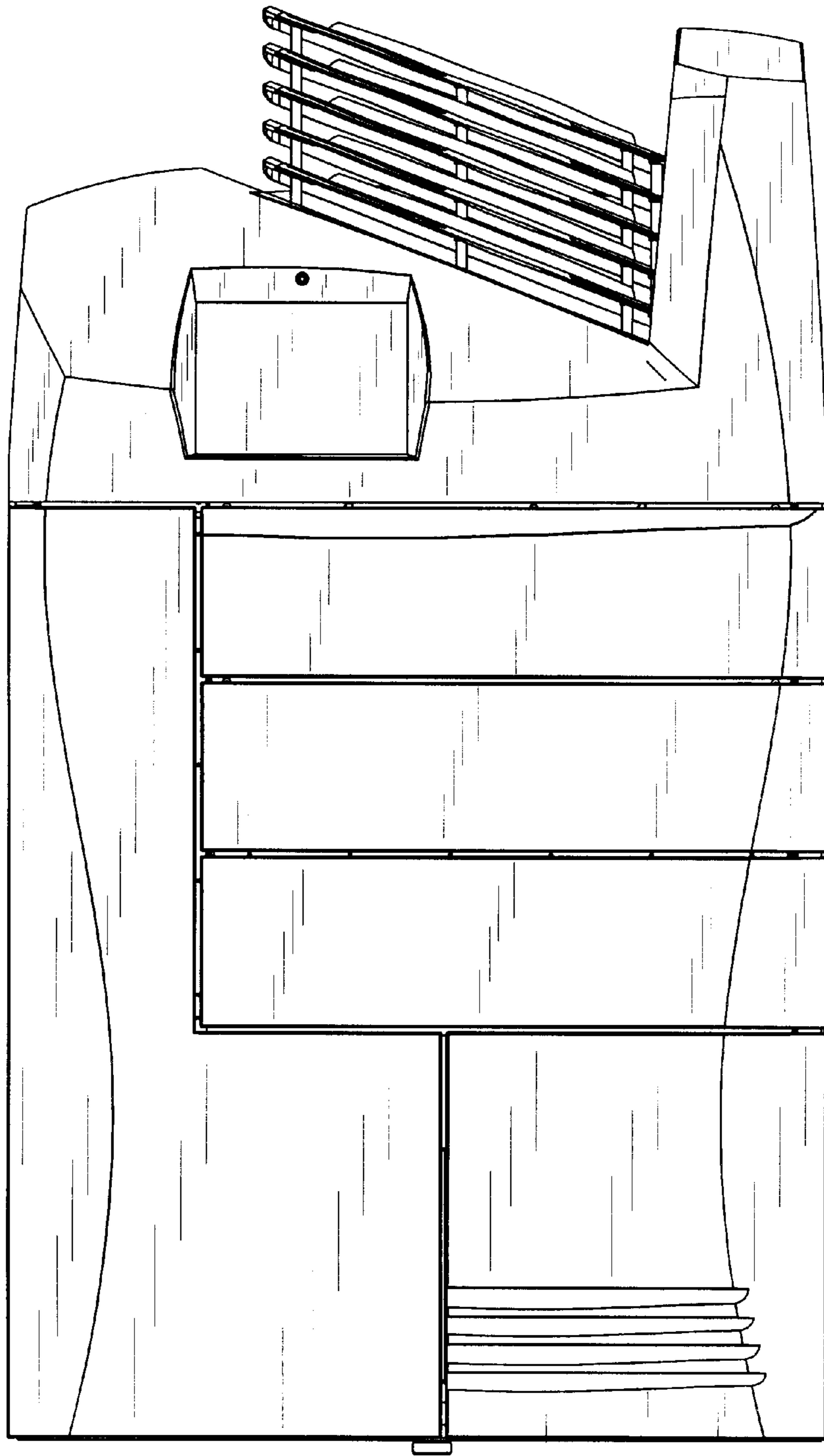


FIG. 3

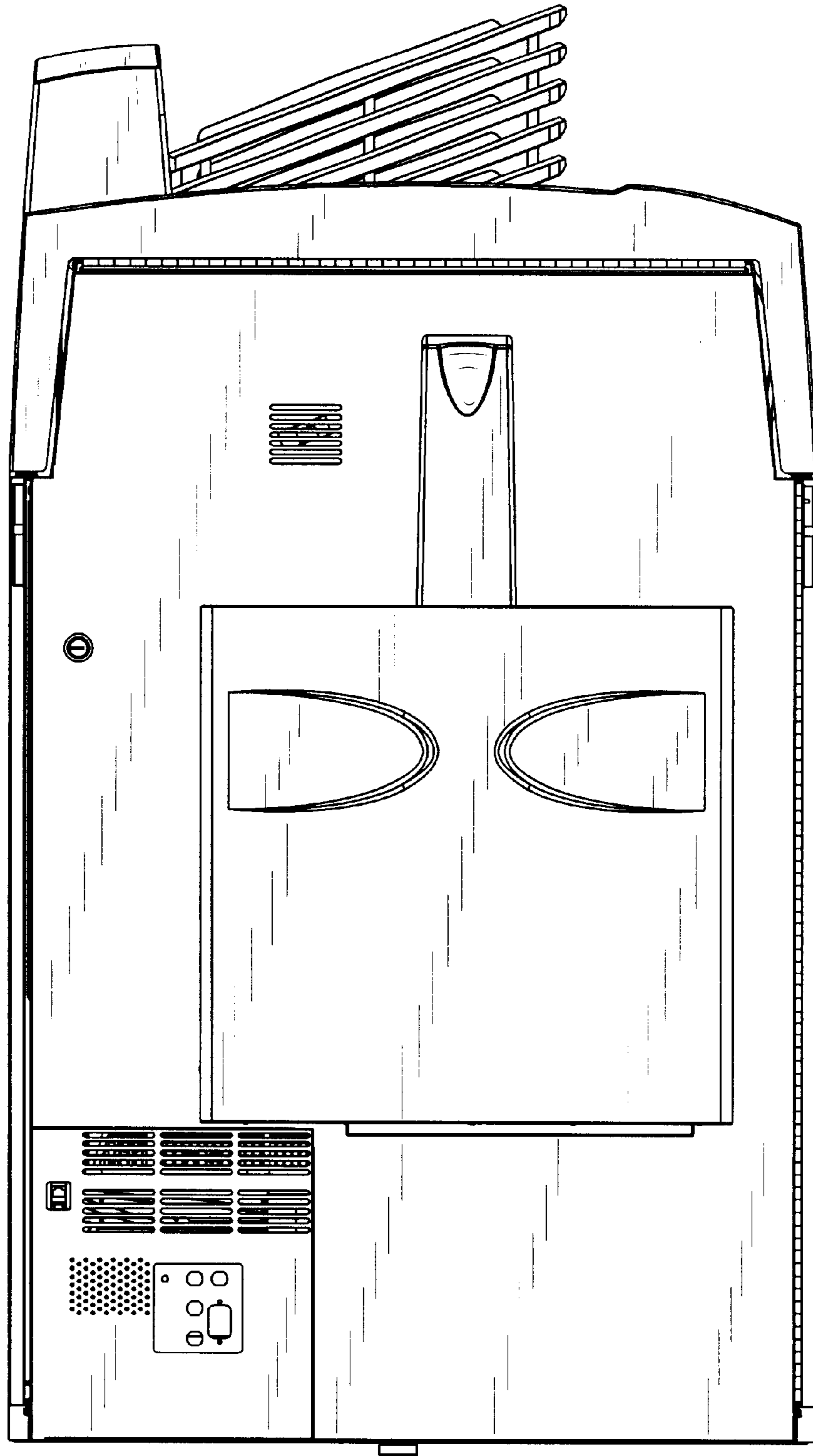


FIG. 4

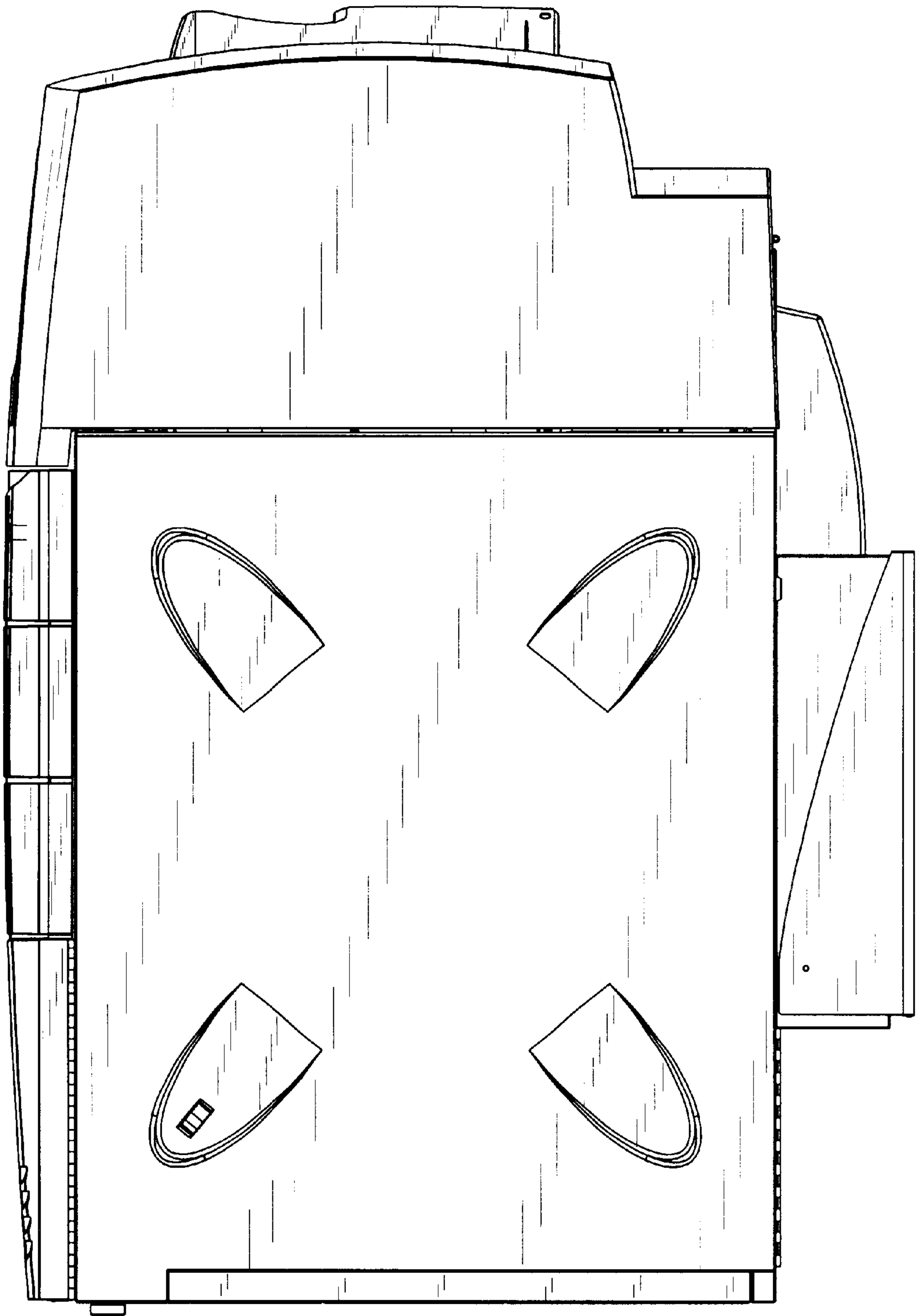


FIG. 5

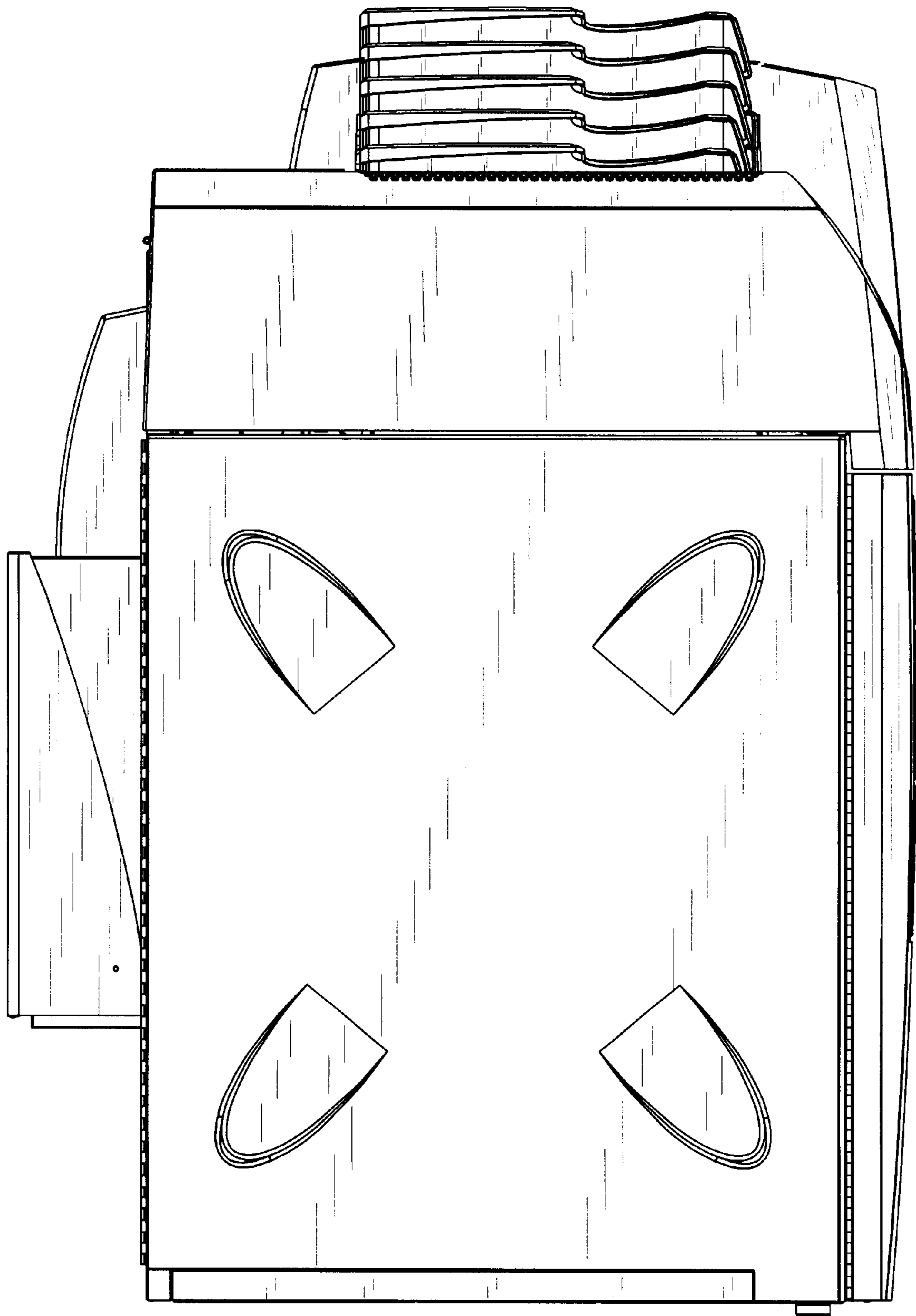


FIG. 6

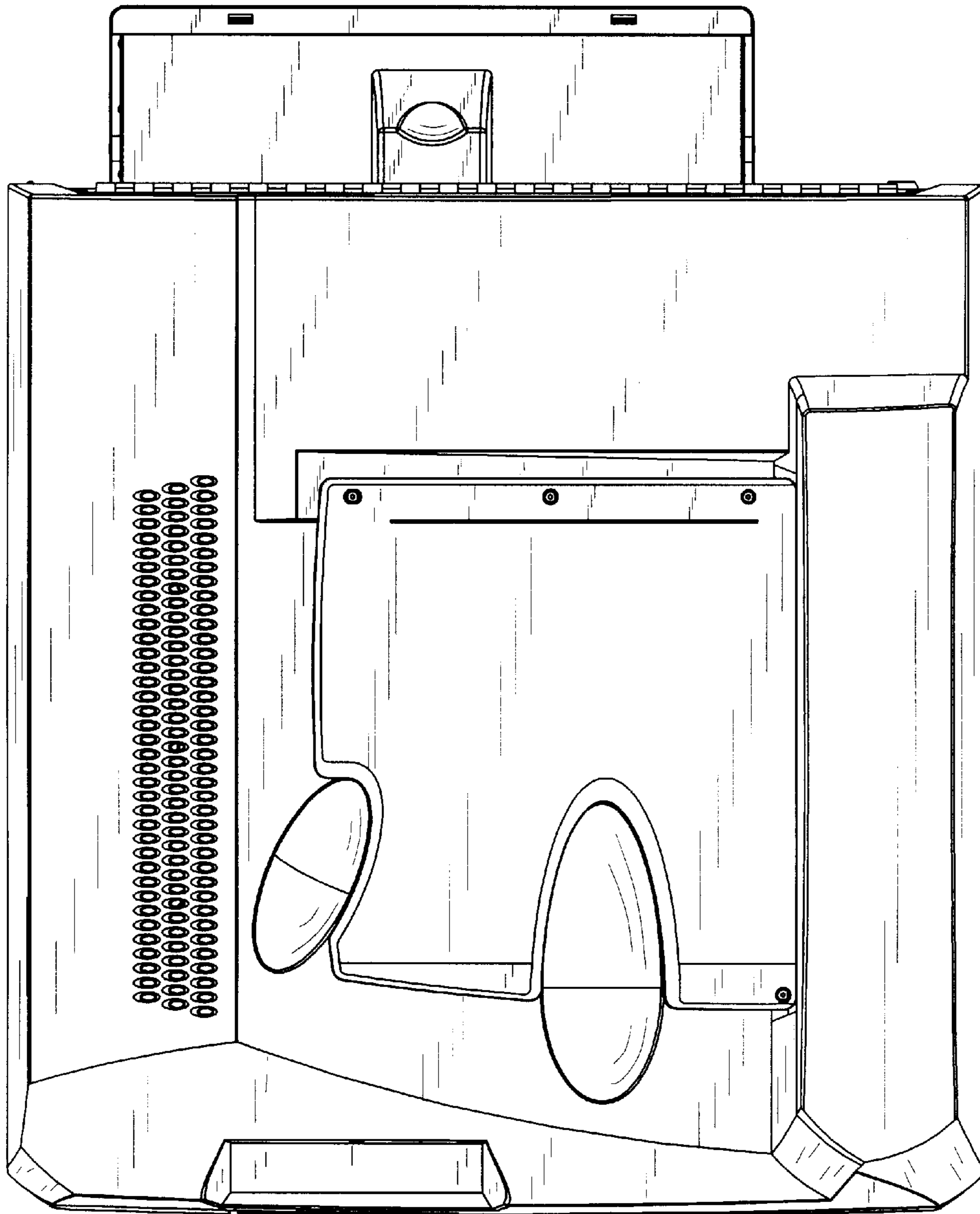


FIG. 7

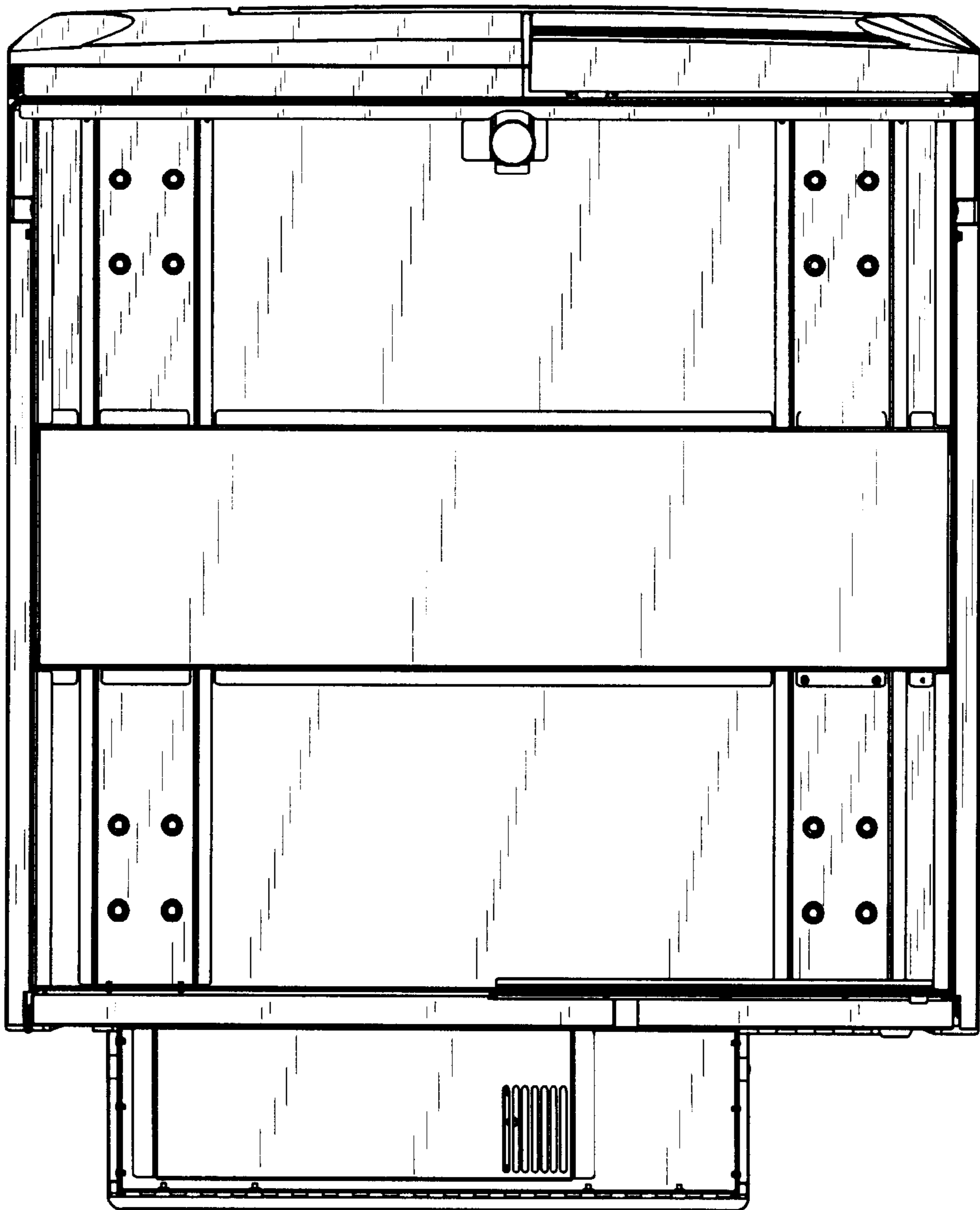


FIG. 8