



US00D482788S

(12) **United States Design Patent**  
**Montgomery et al.**

(10) **Patent No.: US D482,788 S**

(45) **Date of Patent: \*\* Nov. 25, 2003**

(54) **BLADE CARRIER**

(75) Inventors: **John R. Montgomery**, Stanford, KY  
(US); **Paul Di Cesare**, Easton, CT  
(US); **Glade Harold Howell**, Sandy,  
UT (US); **Simon Cohn**, No. Arlington,  
NJ (US)

(73) Assignee: **Becton Dickinson and Company**,  
Franklin Lakes, NJ (US)

(\*\*) Term: **14 Years**

(21) Appl. No.: **29/173,370**

(22) Filed: **Dec. 27, 2002**

(51) **LOC (7) Cl. .... 24-02**

(52) **U.S. Cl. .... D24/147; D24/128**

(58) **Field of Search .... D24/146, 147,**  
D24/127, 128; 606/167; 30/339, 340, 342,  
337, 157, 329, 332; D8/98, 99

(56) **References Cited**

**U.S. PATENT DOCUMENTS**

2,735,176 A	2/1956	Costin .....	30/162
2,885,780 A	5/1959	Campbell .....	30/164.9
D187,320 S	* 2/1960	Matwijcow .....	D24/147
2,960,769 A	* 11/1960	Matwijcow .....	30/340
2,968,489 A	1/1961	Doniger .....	279/48
3,025,598 A	3/1962	Nissen .....	30/162
3,657,812 A	4/1972	Lee .....	30/162
3,793,726 A	2/1974	Schrank .....	30/151
3,905,101 A	9/1975	Shepherd .....	30/162
3,906,626 A	9/1975	Riuli .....	30/162
4,091,537 A	5/1978	Stevenson, Jr. ....	30/286
4,173,071 A	* 11/1979	Ishida .....	30/339
4,318,473 A	3/1982	Sandel .....	206/370
4,375,218 A	3/1983	DiGeronimo .....	128/313.17
4,414,974 A	11/1983	Dotson et al. ....	128/305
4,491,132 A	1/1985	Aikins .....	128/305
4,523,379 A	6/1985	Osterhout et al. ....	30/151
4,576,164 A	3/1986	Richeson .....	128/305
4,617,738 A	* 10/1986	Kopacz .....	30/339
4,660,287 A	4/1987	Decker .....	30/339
4,663,846 A	5/1987	Tekayama .....	30/162

4,735,202 A	4/1988	Williams .....	128/305
4,798,000 A	* 1/1989	Bedner et al. ....	30/339
4,805,304 A	2/1989	Knoop .....	30/162
4,823,457 A	4/1989	Prochaska .....	29/509
4,844,070 A	7/1989	Dee .....	128/305
4,884,569 A	12/1989	Fedorov et al. ....	128/305
4,903,390 A	2/1990	Vidal et al. ....	29/239
4,922,614 A	* 5/1990	Machida .....	30/339

(List continued on next page.)

**FOREIGN PATENT DOCUMENTS**

DE	3722899 A1	1/1989
EP	593 992 A1	2/1994
EP	0 727 186 A2	8/1996
EP	793 943 A1	9/1997
WO	WO 97/34535	9/1997

*Primary Examiner*—Ian Simmons

(74) *Attorney, Agent, or Firm*—James J. Murtha

(57) **CLAIM**

The ornamental design for a blade carrier, as shown and described.

**DESCRIPTION**

FIG. 1 is a perspective view of the blade carrier from a left front end of the blade carrier;

FIG. 2 is a top elevation view of the blade carrier of FIG. 1;

FIG. 3 is a left elevation view of the blade carrier of FIG. 1;

FIG. 4 is a right elevation view of the blade carrier of FIG. 1;

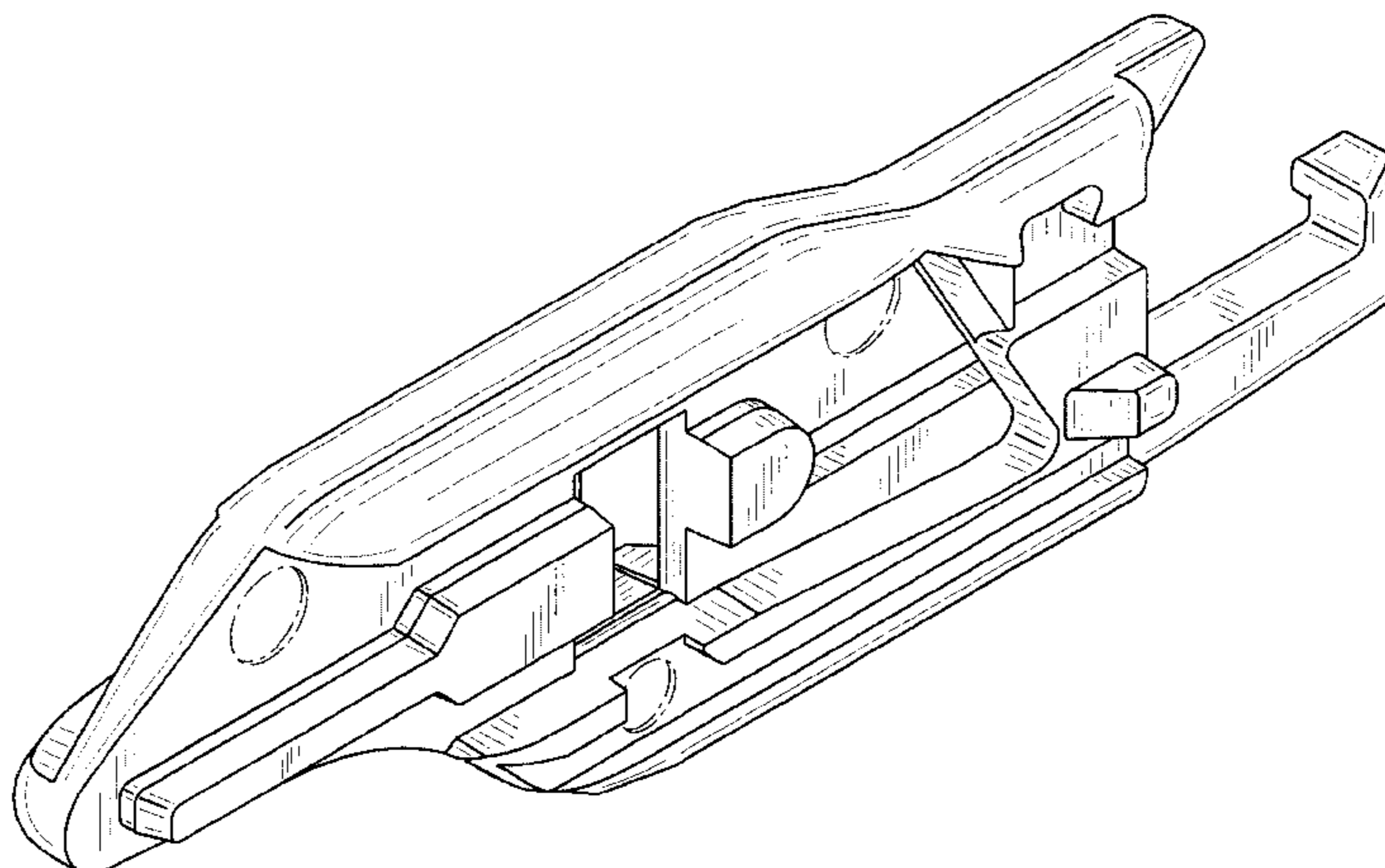
FIG. 5 is a bottom elevation view of the blade carrier of FIG. 1;

FIG. 6 is a front elevation view of the blade carrier of FIG. 1; and,

FIG. 7 is a rear elevation view of the blade carrier of FIG. 1.

The broken line showing in the FIGS. 1, 3 and 4 are for illustrative purposes only and forms no part of the claimed design.

**1 Claim, 4 Drawing Sheets**



# US D482,788 S

Page 2

## U.S. PATENT DOCUMENTS

4,930,220 A	*	6/1990	Loo	.....	30/339	5,411,512 A	5/1995	Abidin et al.	.....	606/167
4,949,458 A		8/1990	Davis et al.	.....	30/162	5,417,704 A	5/1995	Wonderly	.....	606/167
5,055,106 A		10/1991	Lundgren	.....	606/167	5,431,672 A	7/1995	Cote et al.	.....	606/167
5,071,418 A		12/1991	Rosenbaum	.....	606/42	5,449,068 A	9/1995	Gharibian	.....	206/355
5,071,426 A		12/1991	Dolgin et al.	.....	606/167	5,481,804 A	1/1996	Platts	.....	30/162
D327,125 S		6/1992	Iten	.....	D24/30	5,496,340 A	3/1996	Abidin et al.	.....	606/167
5,141,517 A		8/1992	Shutt	.....	606/167	5,571,127 A	11/1996	DeCampi	.....	606/167
D330,082 S		10/1992	Schutte et al.	.....	D24/147	5,591,189 A	1/1997	Yoon	.....	606/185
5,197,953 A		3/1993	Colonna	.....	604/110	5,620,454 A	4/1997	Pierce et al.	.....	606/167
5,201,748 A		4/1993	Newman et al.	.....	606/167	5,662,669 A	9/1997	Abidin et al.	.....	606/167
5,207,696 A		5/1993	Matwijcow	.....	606/167	5,674,203 A	10/1997	Lewandowski	.....	604/197
5,250,063 A		10/1993	Abidin et al.	.....	606/167	5,683,407 A	11/1997	Jolly et al.	.....	606/181
5,250,064 A		10/1993	Schneider	.....	606/167	5,741,289 A	4/1998	Jolly et al.	.....	606/181
5,272,812 A	*	12/1993	Doucette	.....	30/339	5,752,968 A	5/1998	Jolly et al.	.....	606/167
5,275,606 A		1/1994	Abidin	.....	606/167	5,792,162 A	8/1998	Jolly et al.	.....	606/167
5,292,310 A		3/1994	Yoon	.....	604/158	5,827,309 A	10/1998	Jolly et al.	.....	606/167
5,299,357 A		4/1994	Wonderly et al.	.....	30/339	5,868,771 A	2/1999	Herbert et al.	.....	606/167
5,309,641 A		5/1994	Wonderly et al.	.....	30/339	5,908,432 A	6/1999	Pan	.....	606/167
5,312,429 A		5/1994	Noack	.....	606/167	5,938,676 A	8/1999	Cohn et al.	.....	606/167
5,330,492 A		7/1994	Haugen	.....	606/167	5,941,892 A	8/1999	Cohn et al.	.....	606/167
5,330,494 A		7/1994	van der Westhuizen et al.	.....	606/167	5,957,944 A	9/1999	Khuri et al.	.....	606/170
5,342,379 A		8/1994	Volinsky	.....	606/167	6,053,929 A	4/2000	Cohn et al.	.....	606/167
5,344,424 A		9/1994	Roberts et al.	.....	606/167	6,254,621 B1	7/2001	Shackelford et al.	.....	606/167
5,363,958 A		11/1994	Horan	.....	206/356	D466,214 S	11/2002	Otsuka	.....	D24/147
5,370,654 A		12/1994	Abidin et al.	.....	606/182	2002/0143352 A1	10/2002	Newman et al.	.....	606/167

\* cited by examiner

FIG. 1

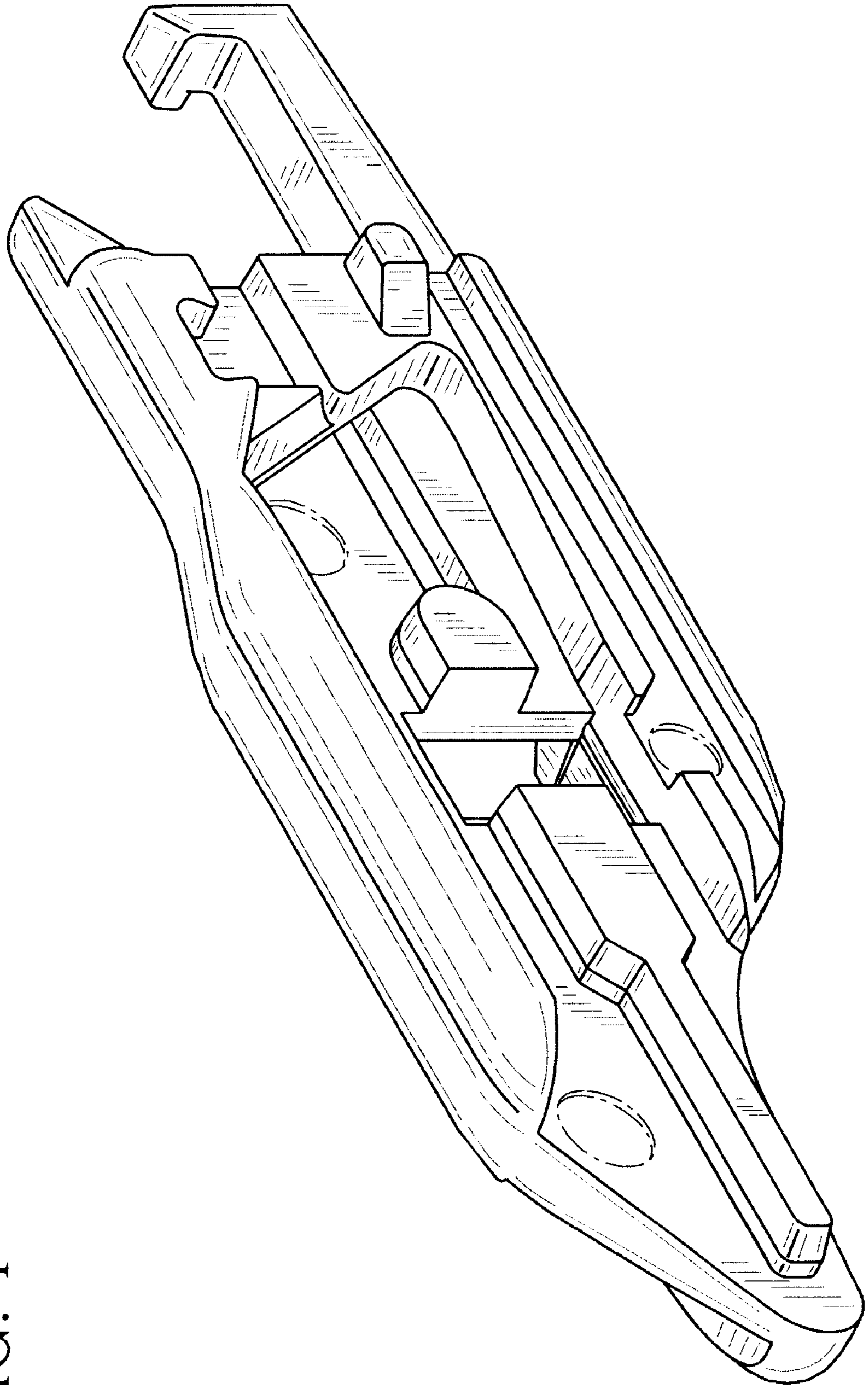


FIG. 2

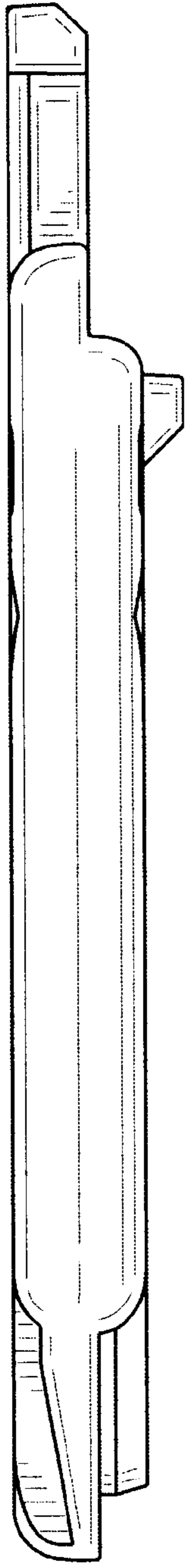


FIG. 3

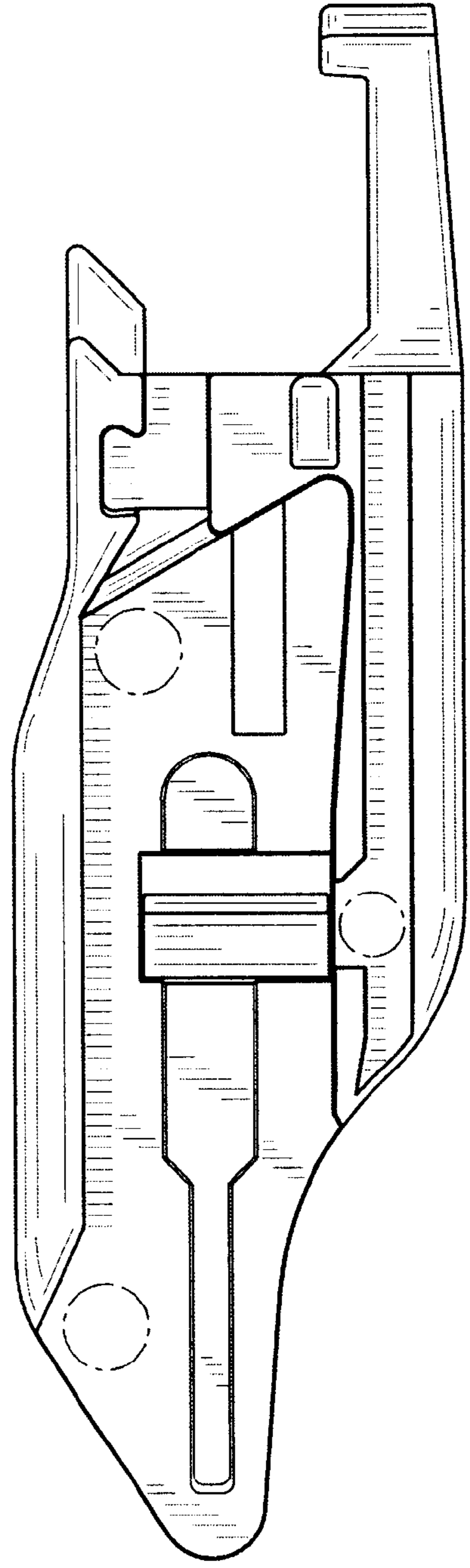


FIG. 4

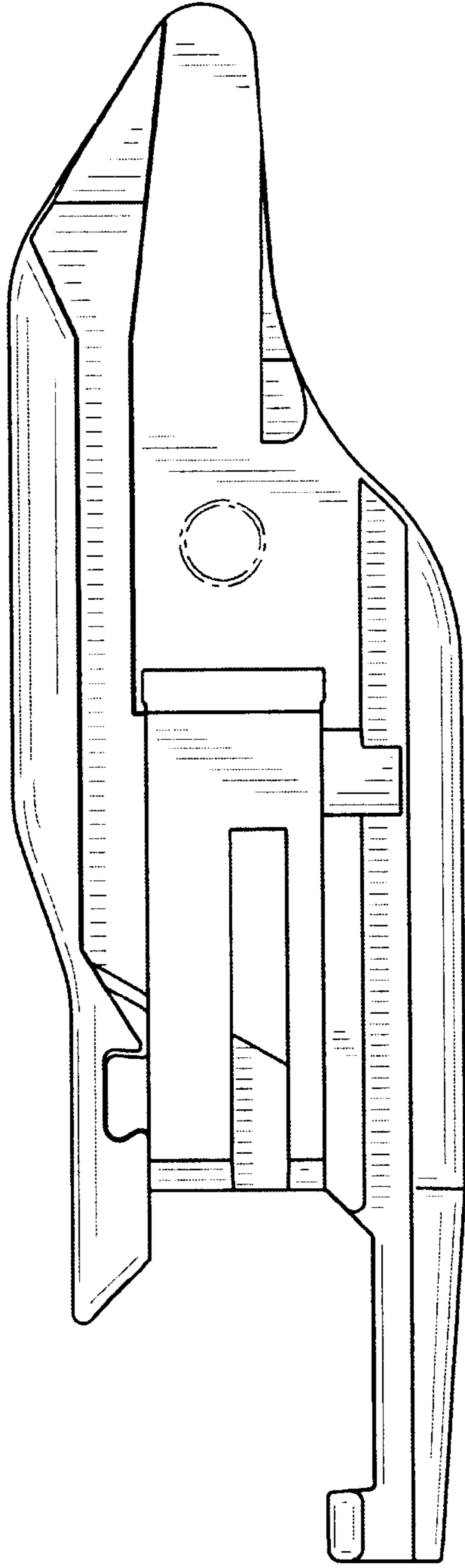


FIG. 5

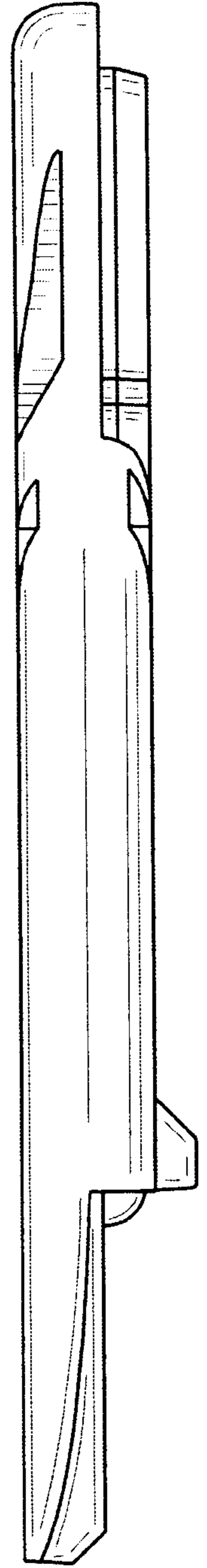


FIG. 7

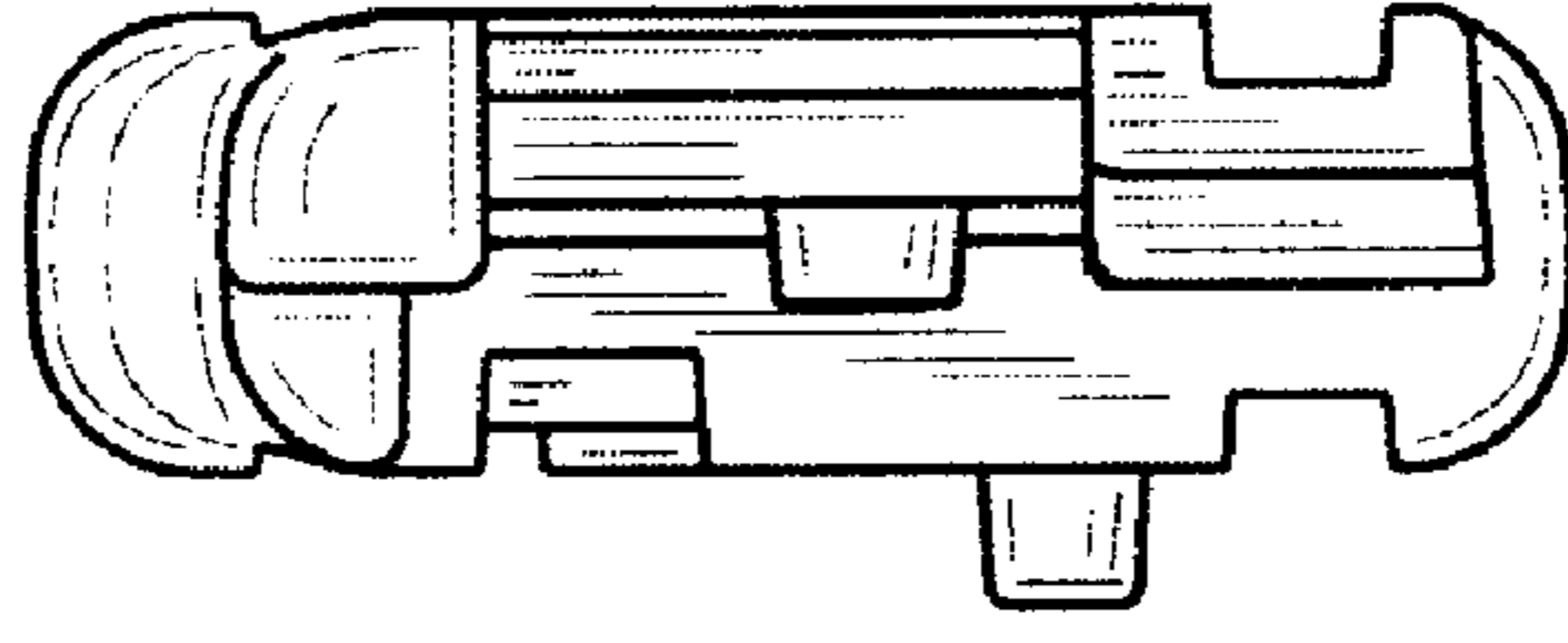


FIG. 6

